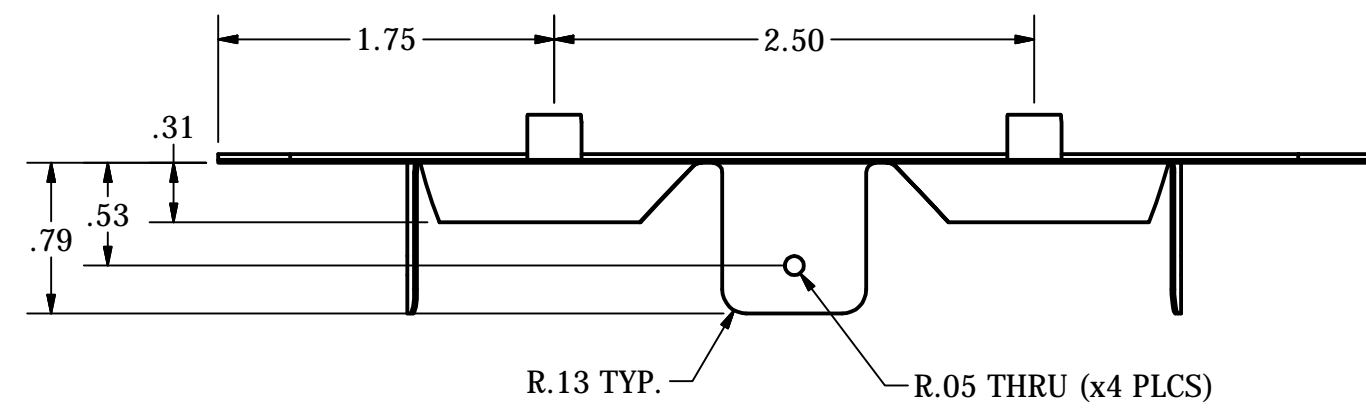
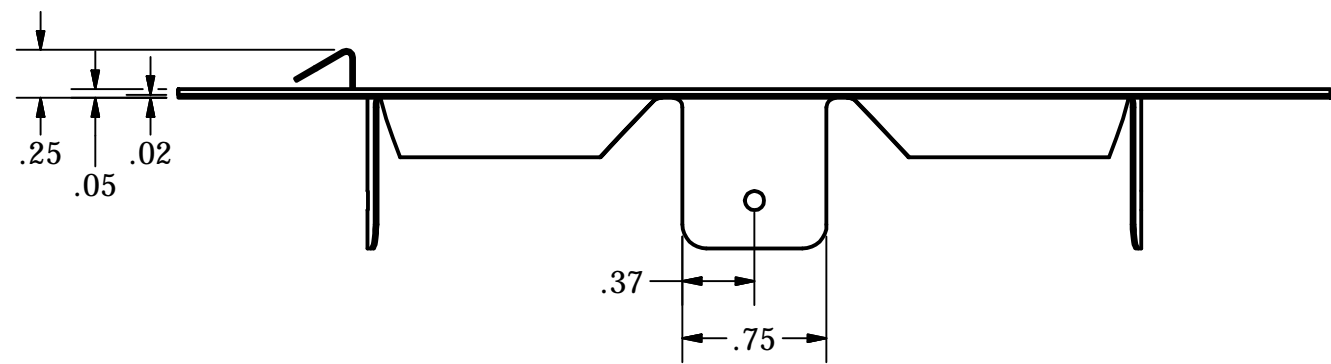
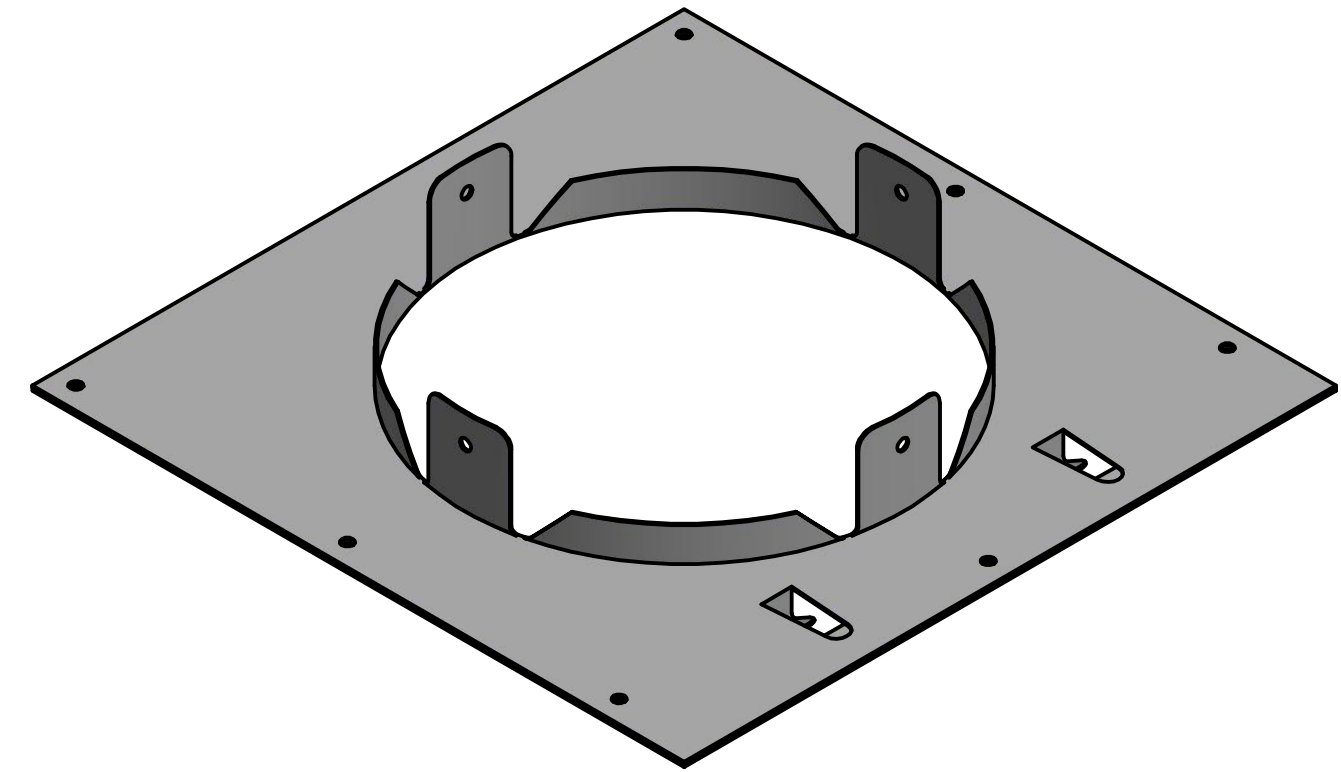
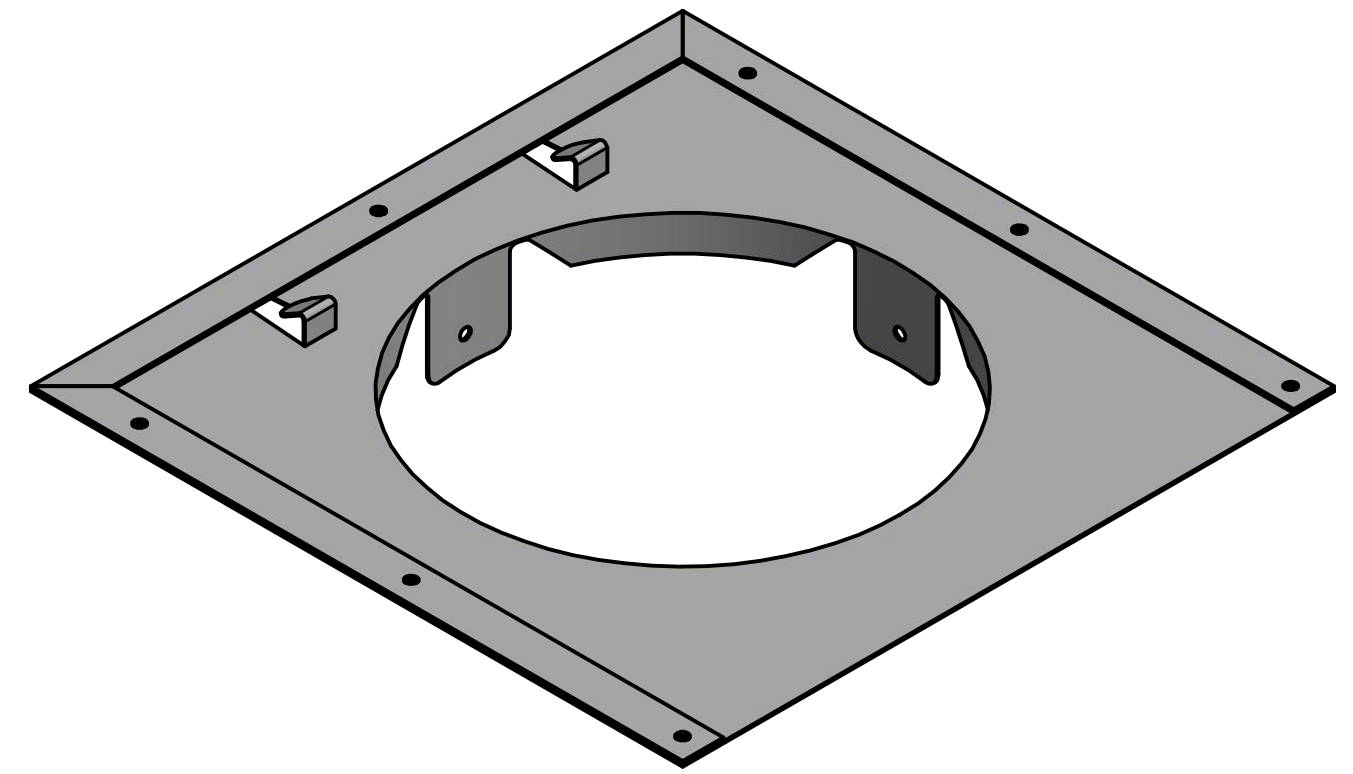
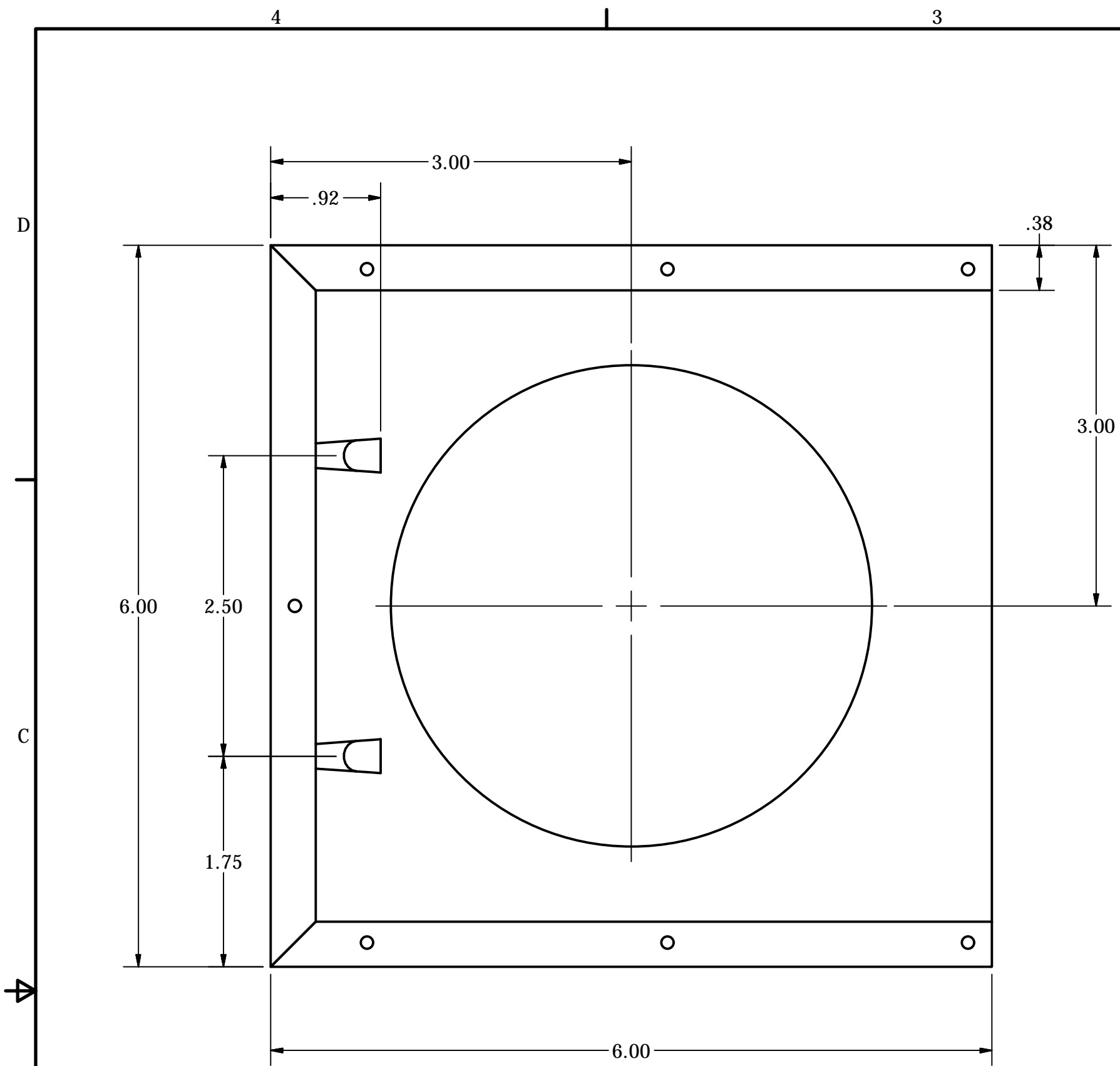
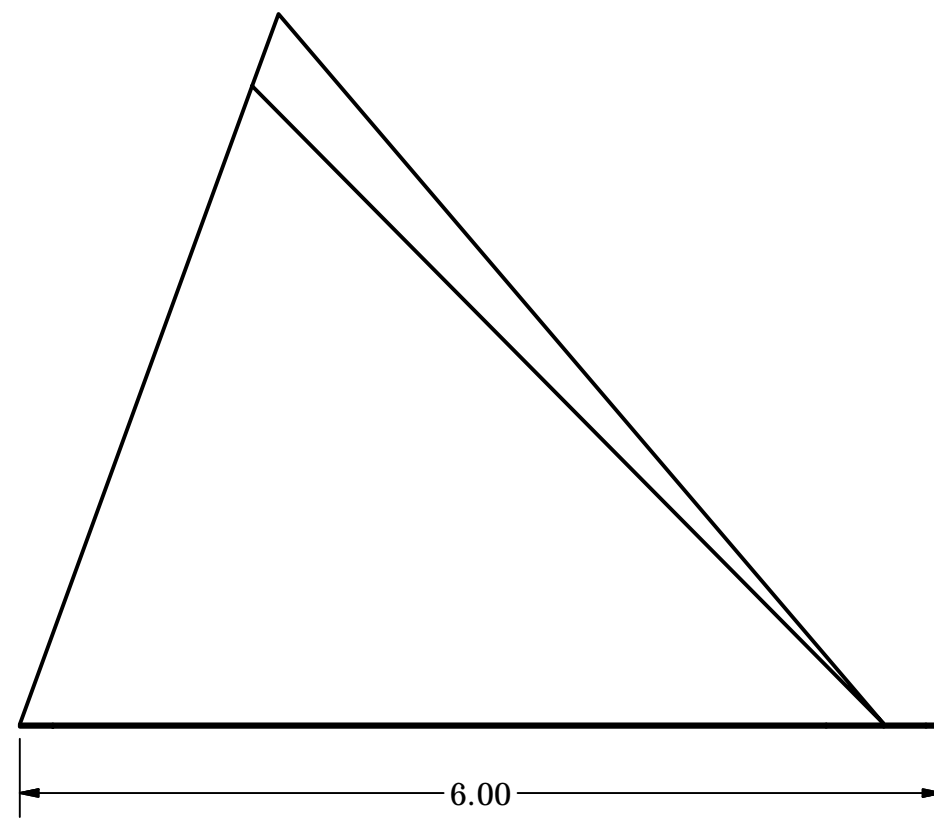
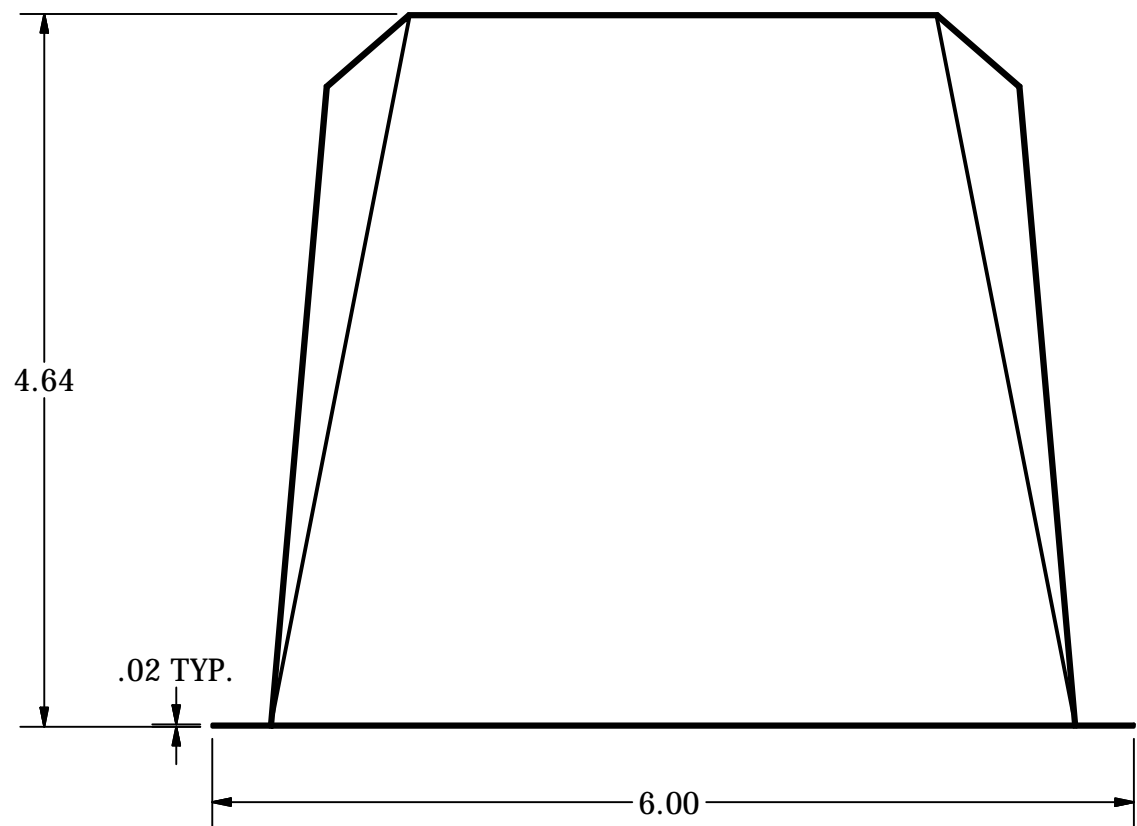
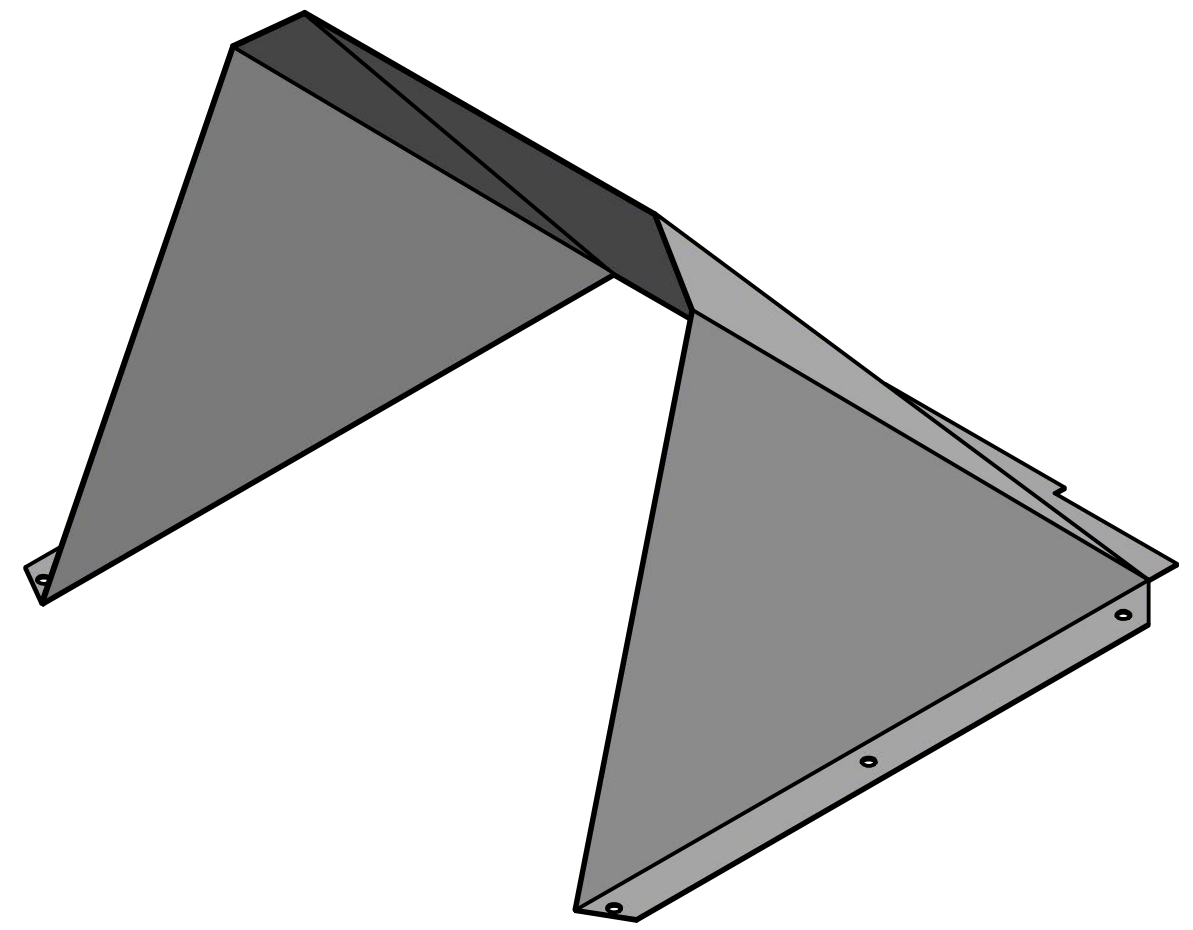
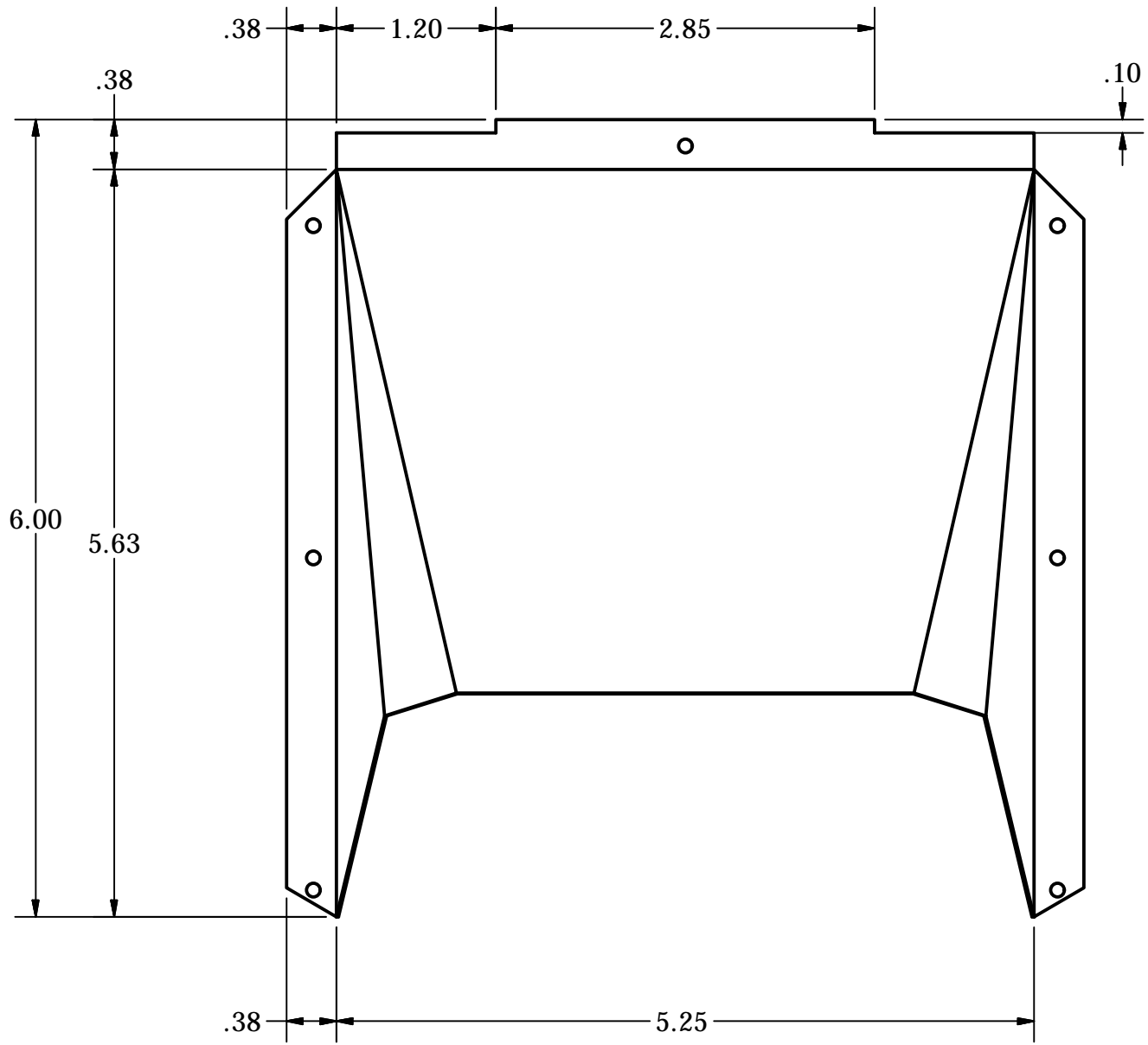


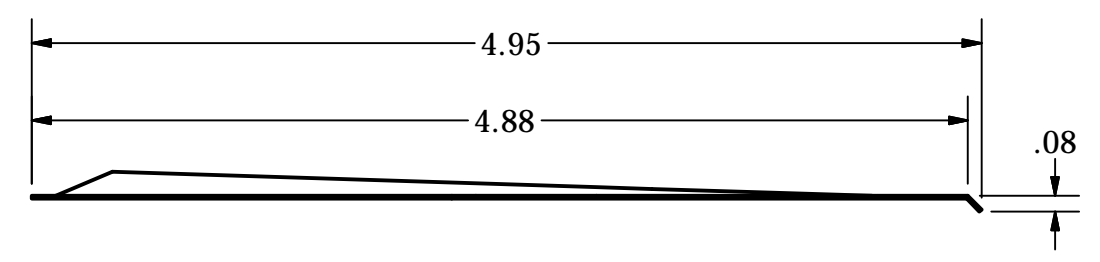
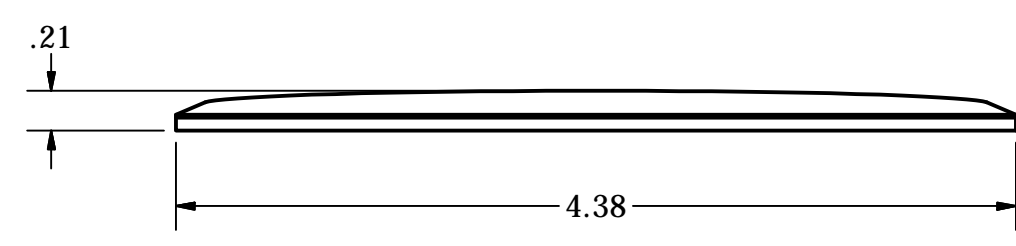
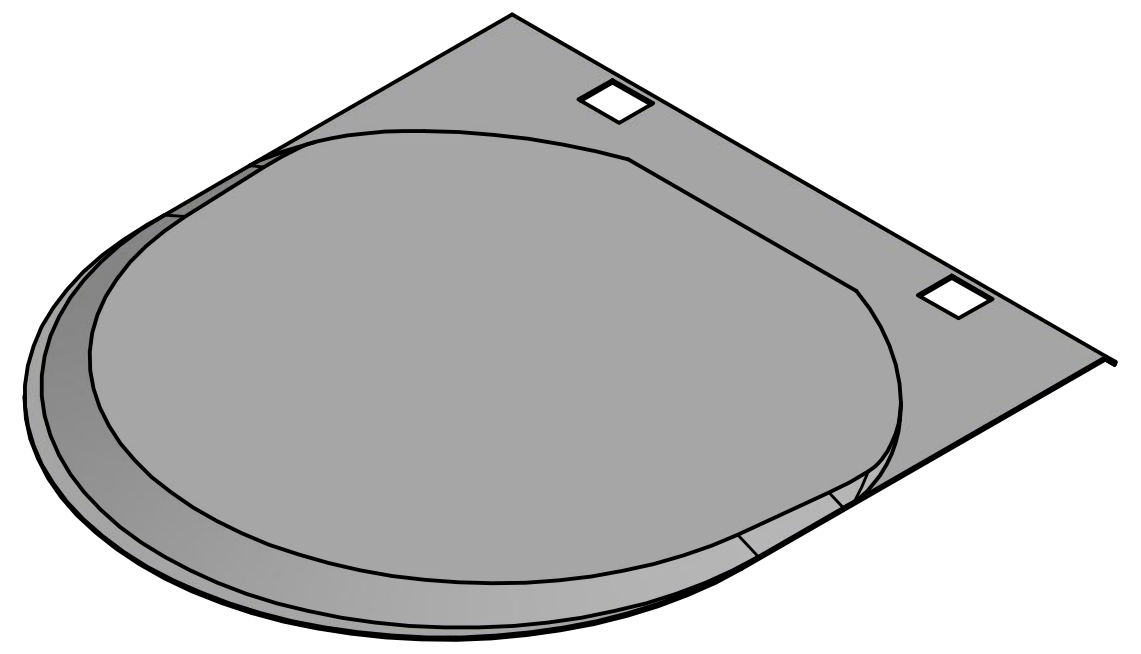
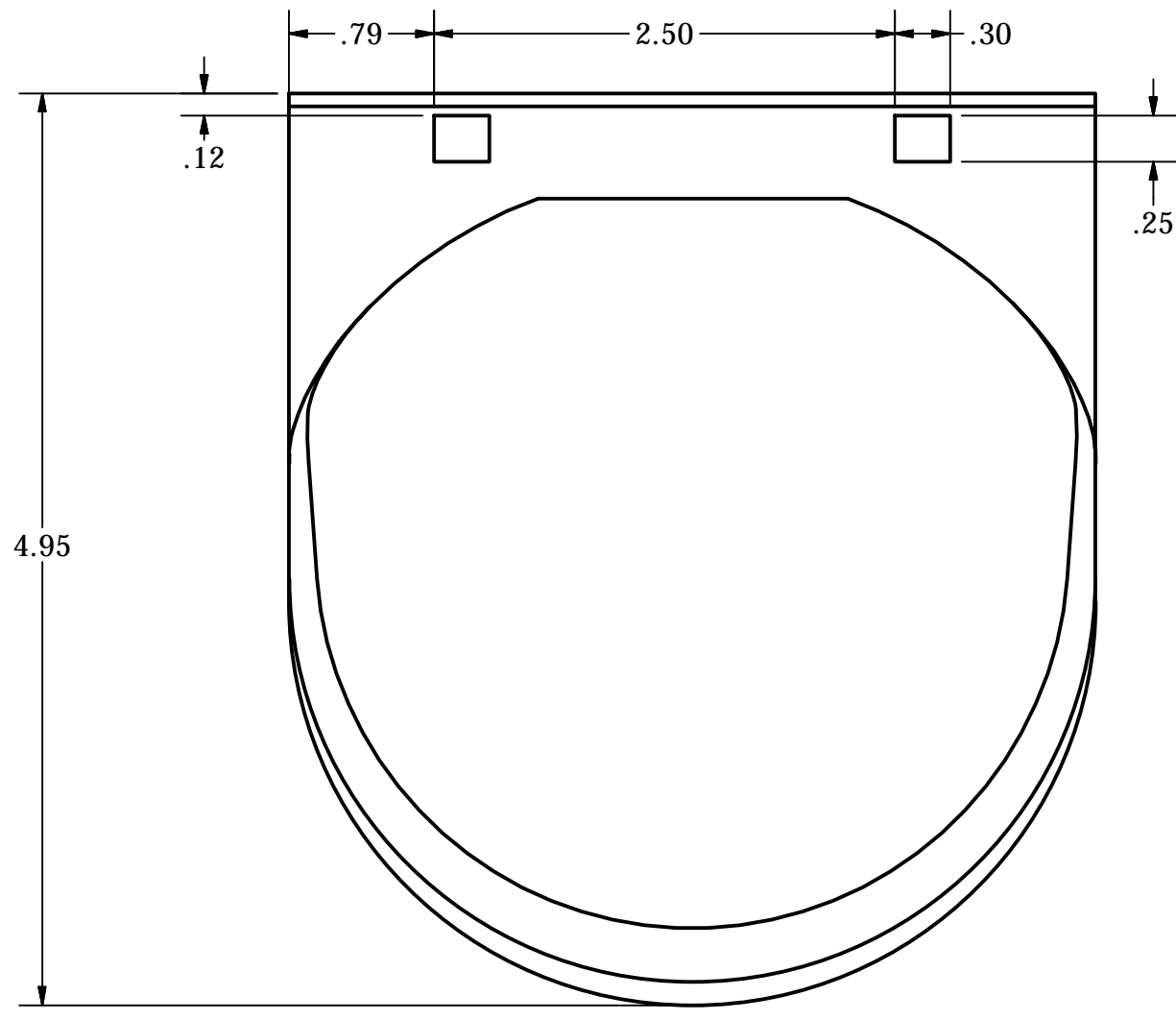
DRAWN J. VALENTI	3/18/2017	LAMBRO INDUSTRIES, INC.		
CHECKED		TITLE		
QA		110A - ALUMINUM VENT		
MFG		SIZE	DWG NO	REV
APPROVED		D	110A	
		SCALE	SHEET 1 OF 1	



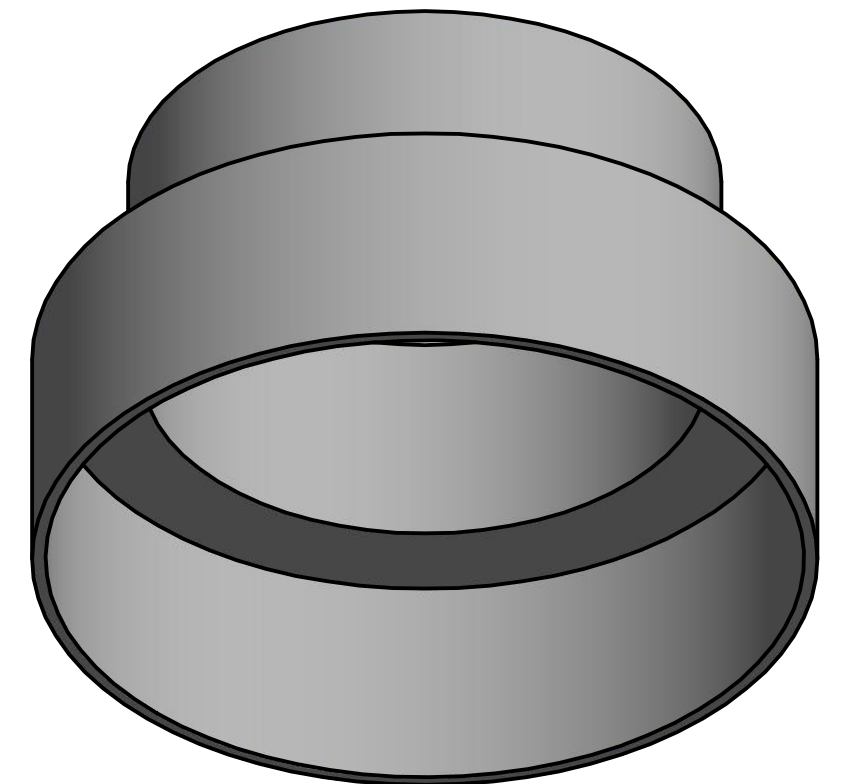
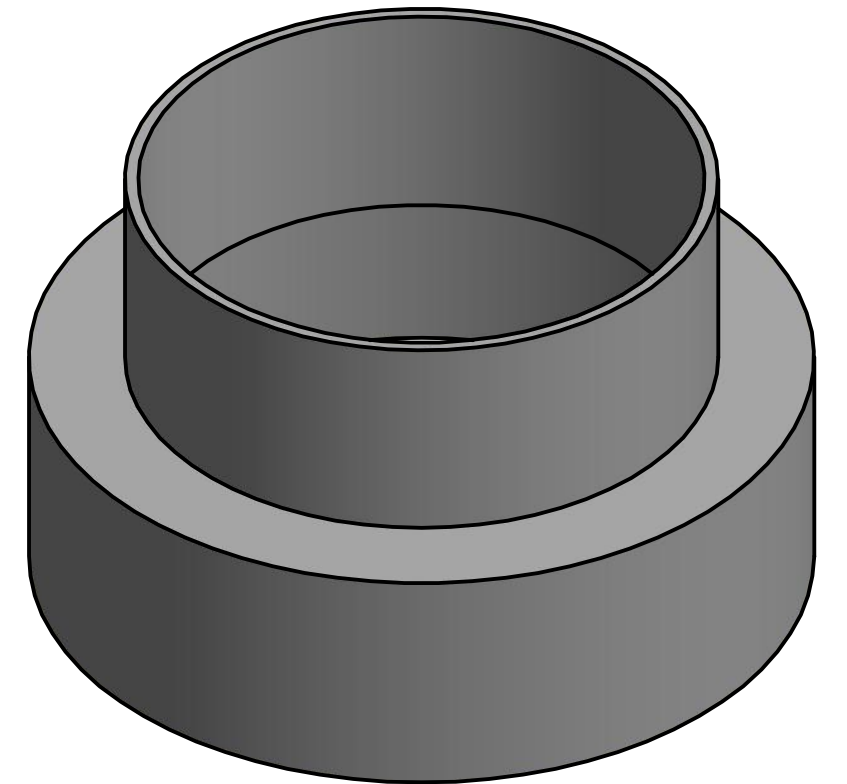
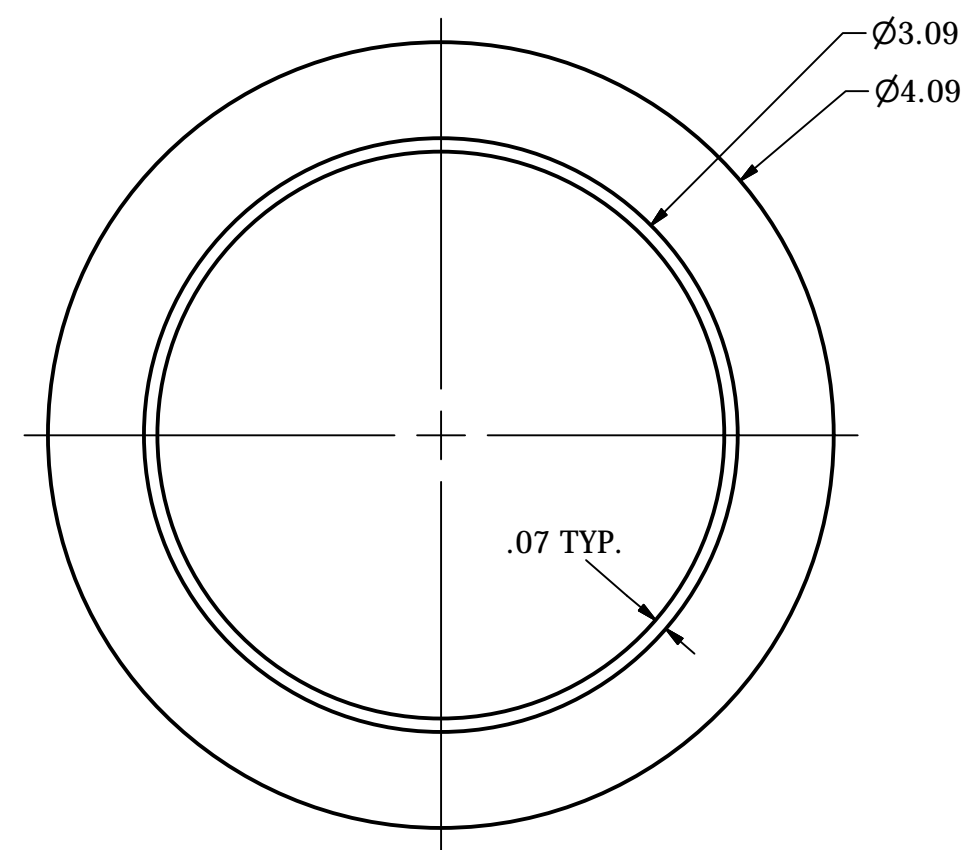
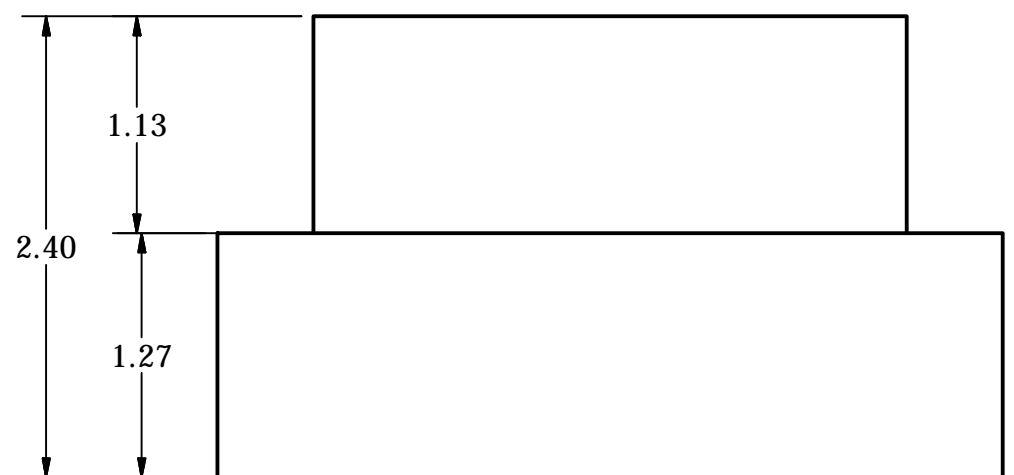
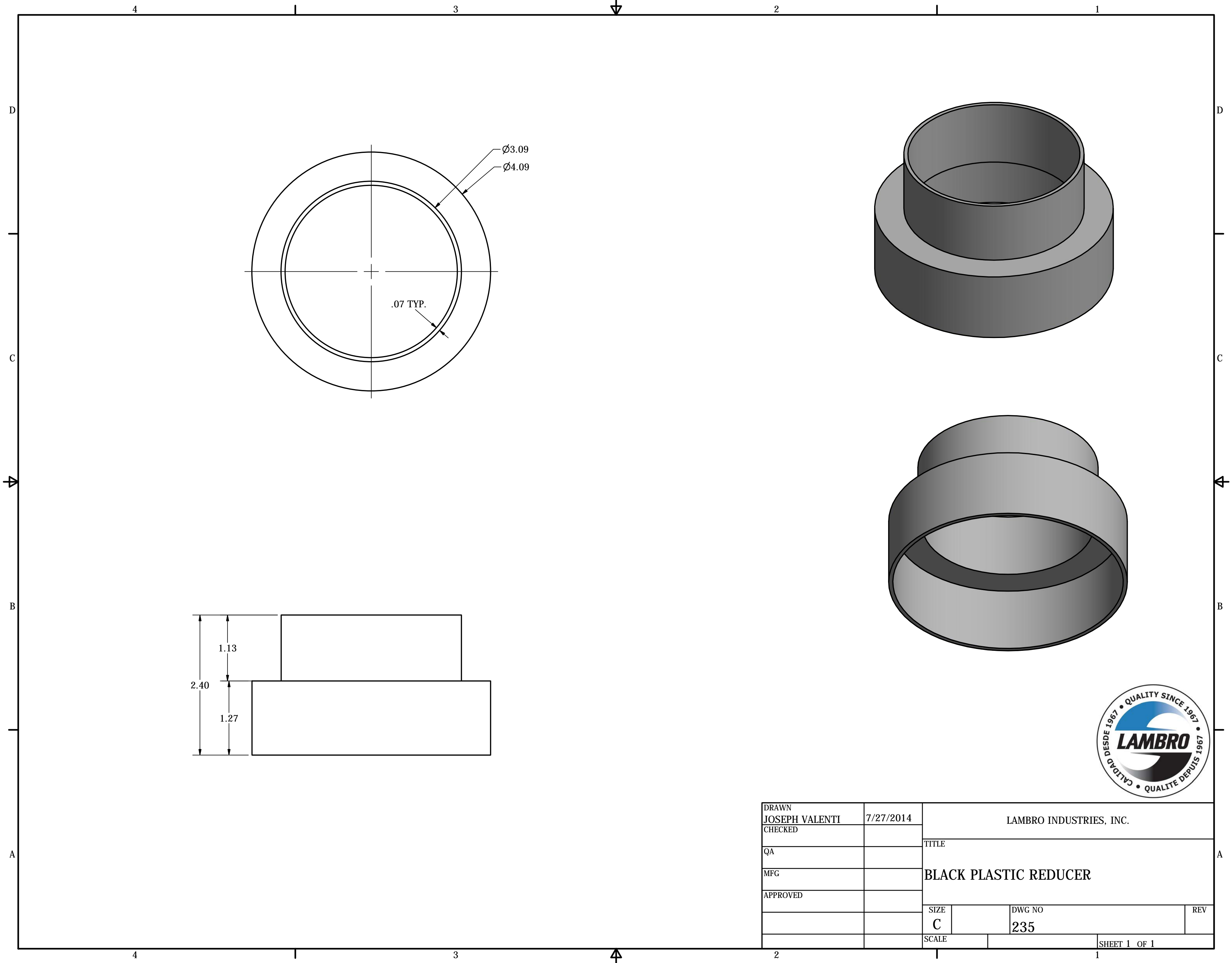
DRAWN J. VALENTI	3/18/2017	LAMBRO INDUSTRIES, INC.		
CHECKED		TITLE		
QA		110A BASE		
MFG		SIZE	DWG NO	REV
APPROVED		C	110A	
		SCALE	SHEET 1 OF 1	



DRAWN J. VALENTI	3/18/2017	LAMBRO INDUSTRIES, INC.		
CHECKED		TITLE		
QA		110A CAP		
MFG		SIZE	DWG NO	REV
APPROVED		C	110A	
		SCALE	SHEET 1 OF 1	



DRAWN J. VALENTI	3/18/2017	LAMBRO INDUSTRIES, INC.		
CHECKED		TITLE		
QA		110A FLAP		
MFG		SIZE	DWG NO	REV
APPROVED		C	110A	
		SCALE	SHEET 1 OF 1	



DRAWN JOSEPH VALENTI		7/27/2014		LAMBRO INDUSTRIES, INC.	
CHECKED				TITLE	
QA				BLACK PLASTIC REDUCER	
MFG					
APPROVED					
		SIZE	DWG NO	REV	
		C	235		
		SCALE	SHEET 1 OF 1		