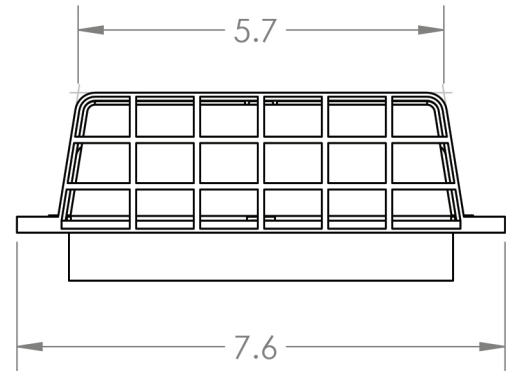
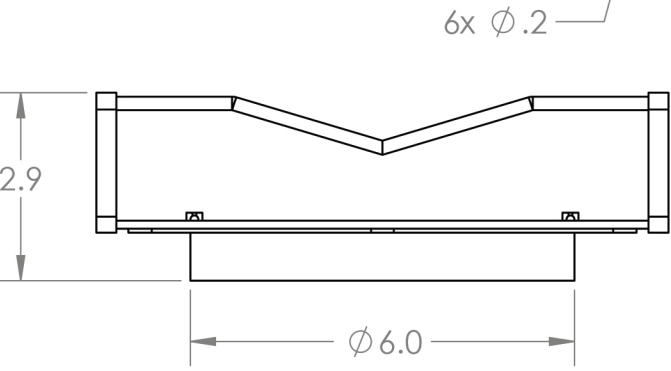
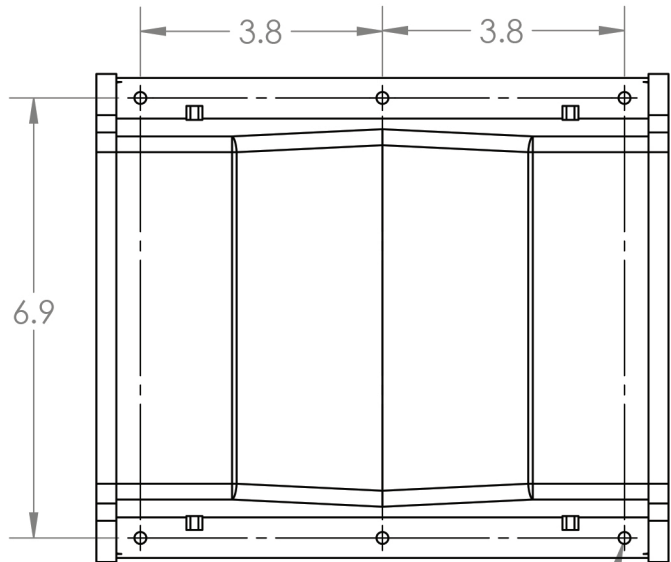


4

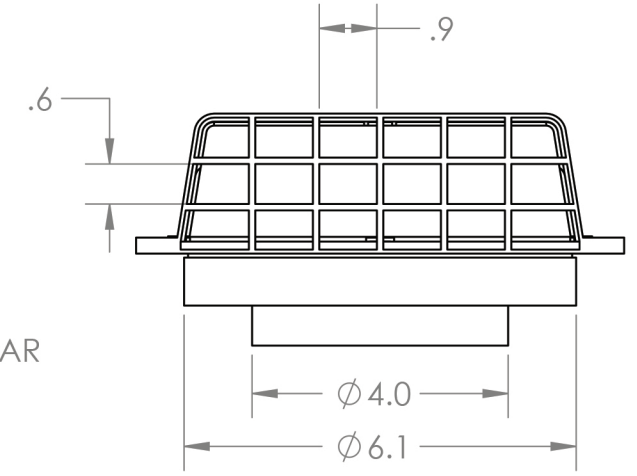
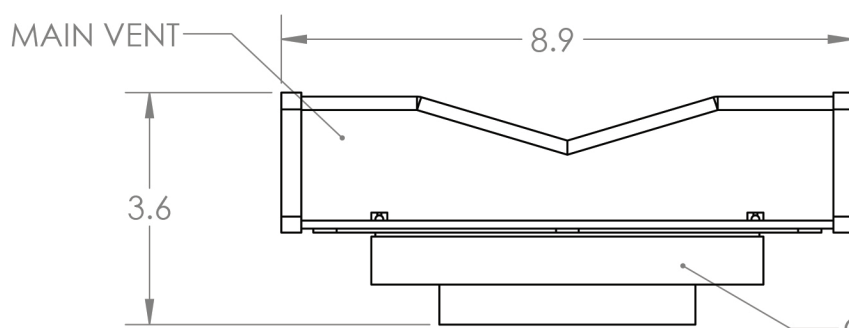
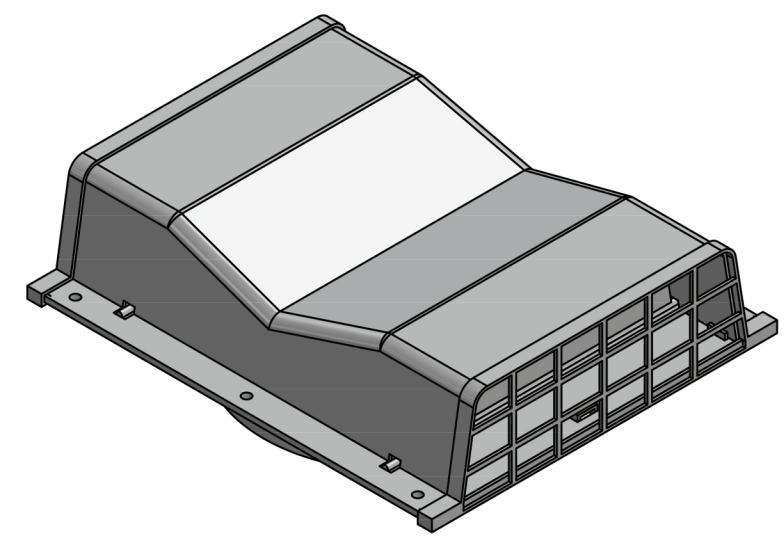
3

2

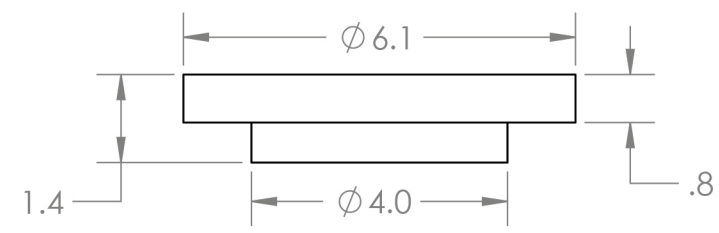
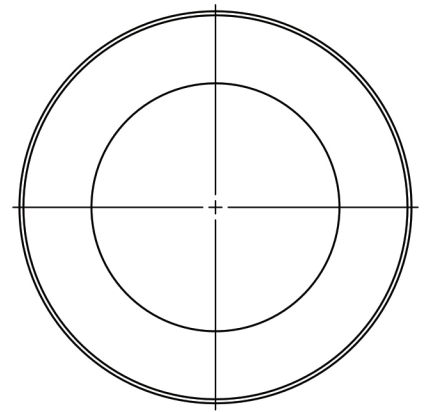
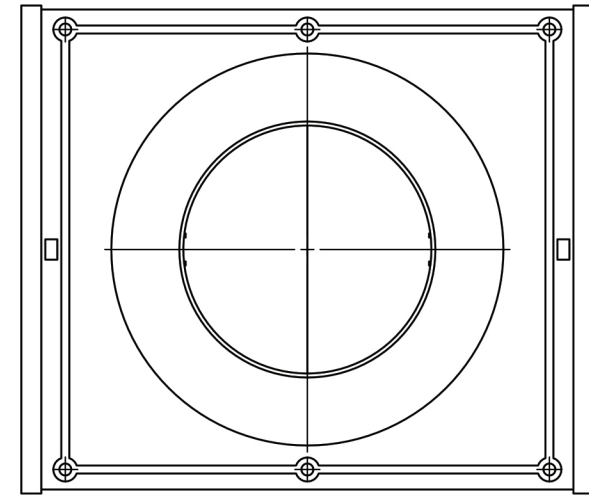
1



MAIN VENT



COLLAR



COLLAR



Lambro Industries, Inc.
 115 Albany Ave.
 Amityville, NY 11701
 (631) 842-8088
 www.lambro.net

TITLE: 4" or 6" White Plastic Soffit Exhaust
 Dual Opening Vent - Dampers -
 Removable Screens

Made of polymer resin material with UV inhibitor
 used to help prevent the premature fading of vent

| | | |
|------------|-------------|--------------|
| SIZE | DWG. NO. | REV |
| B | 164W | |
| SCALE: 1:3 | WEIGHT: | SHEET 1 OF 1 |

PROPRIETARY AND CONFIDENTIAL
 THE INFORMATION CONTAINED IN THIS
 DRAWING IS THE SOLE PROPERTY OF
 LAMBRO. ANY REPRODUCTION IN PART
 OR AS A WHOLE WITHOUT THE WRITTEN
 PERMISSION OF LAMBRO IS PROHIBITED.

| UNLESS OTHERWISE SPECIFIED: | | NAME | DATE |
|-----------------------------|---------|-----------------------------------|------|
| DIMENSIONS ARE IN INCHES | | DRAWN | |
| TOLERANCES: | | CHECKED | |
| FRACTIONAL ±1/16 | | ENG APPR. | |
| ANGULAR: MACH ±1 BEND ±.01 | | MFG APPR. | |
| TWO PLACE DECIMAL ±.01 | | Q.A. | |
| THREE PLACE DECIMAL ±0.005 | | COMMENTS: | |
| INTERPRET GEOMETRIC | | Net Free Area (NFA) | |
| TOLERANCING PER: | | Without Screen: 27 sq. in. | |
| MATERIAL | | With Screen: 20 sq. in. | |
| FINISH | | Note: NFA includes the 2 openings | |
| NEXT ASSY | USED ON | | |
| APPLICATION | | | |
| DO NOT SCALE DRAWING | | | |



4

3

2

1

B

B

A

A