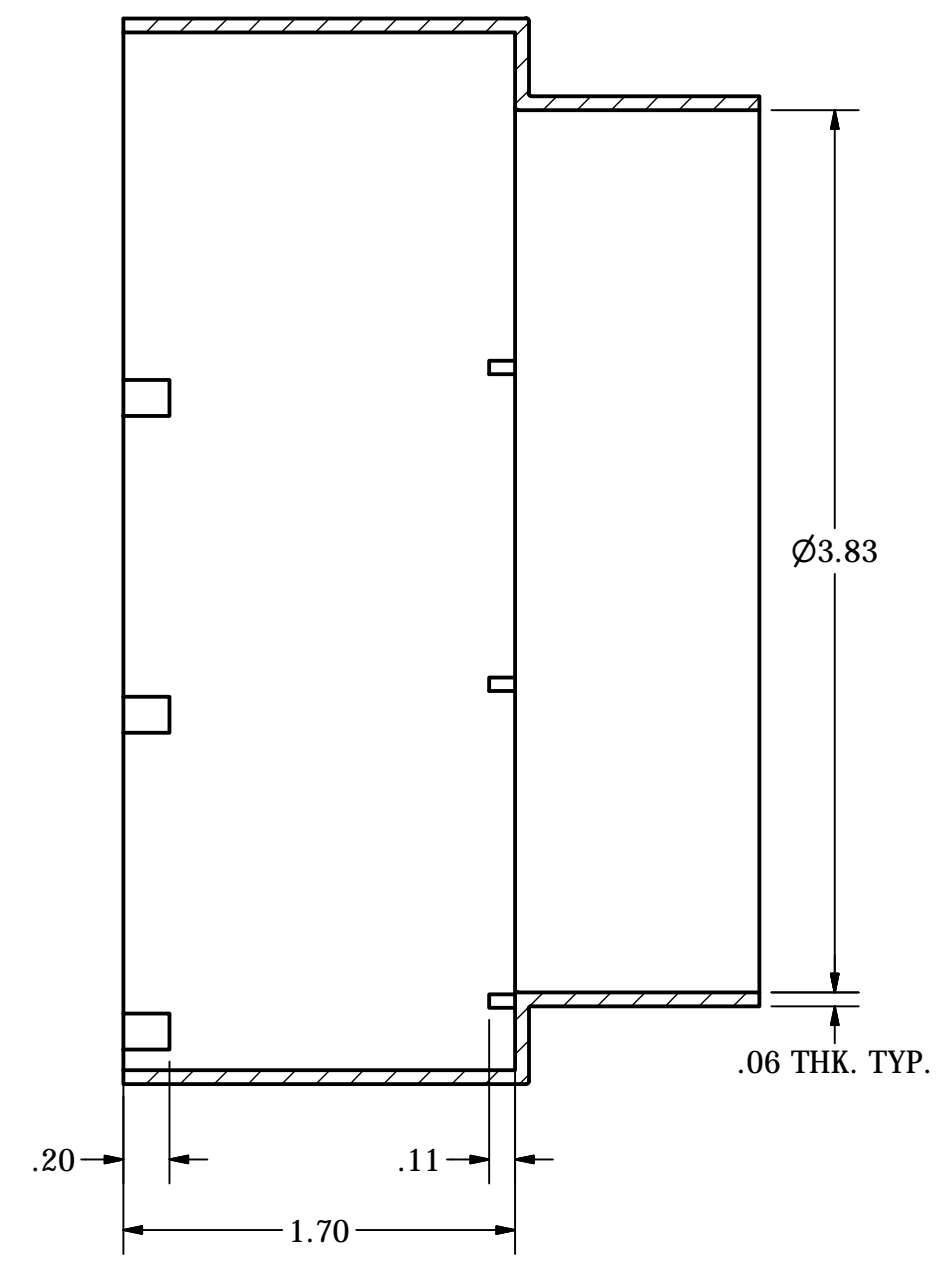
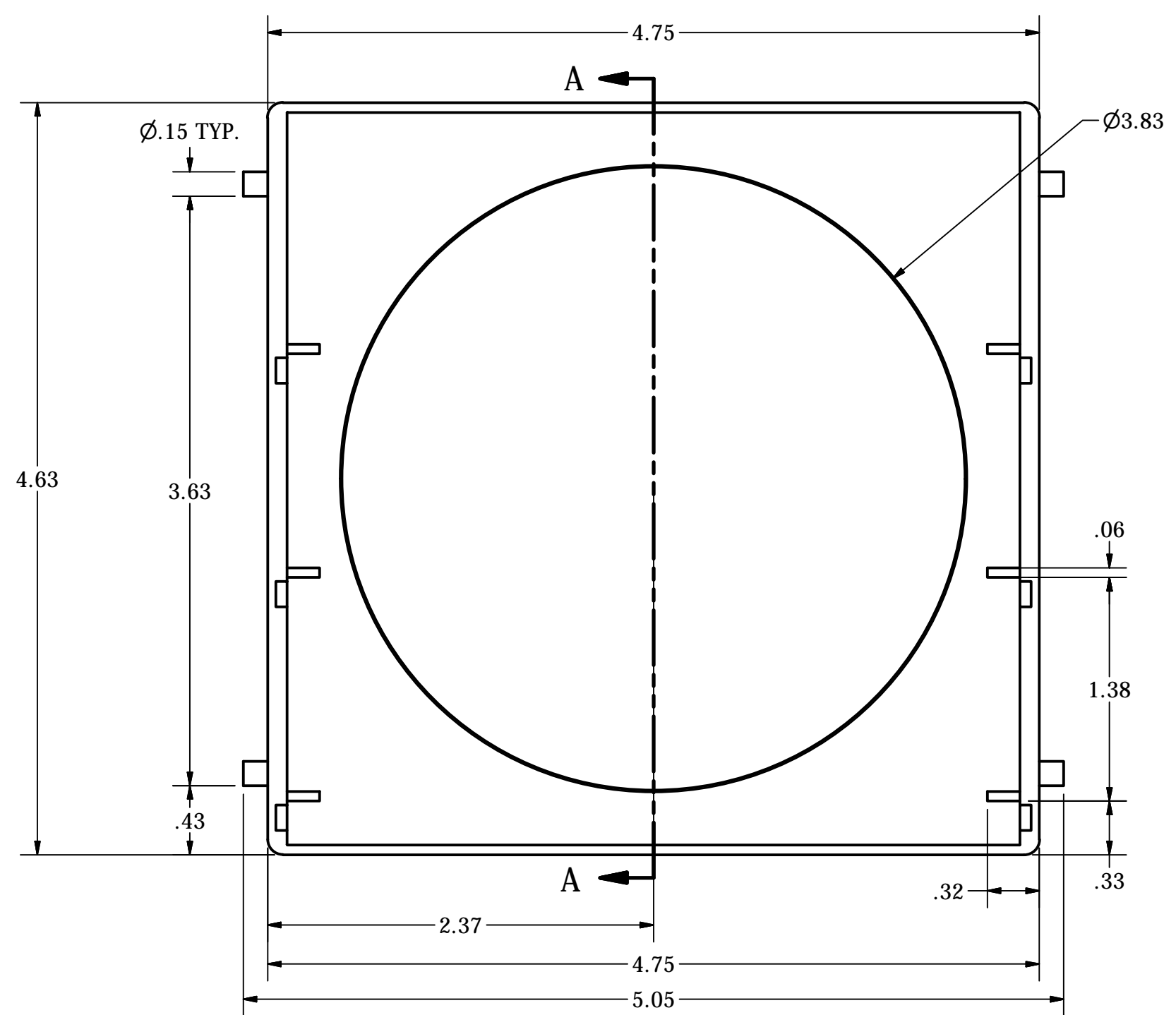
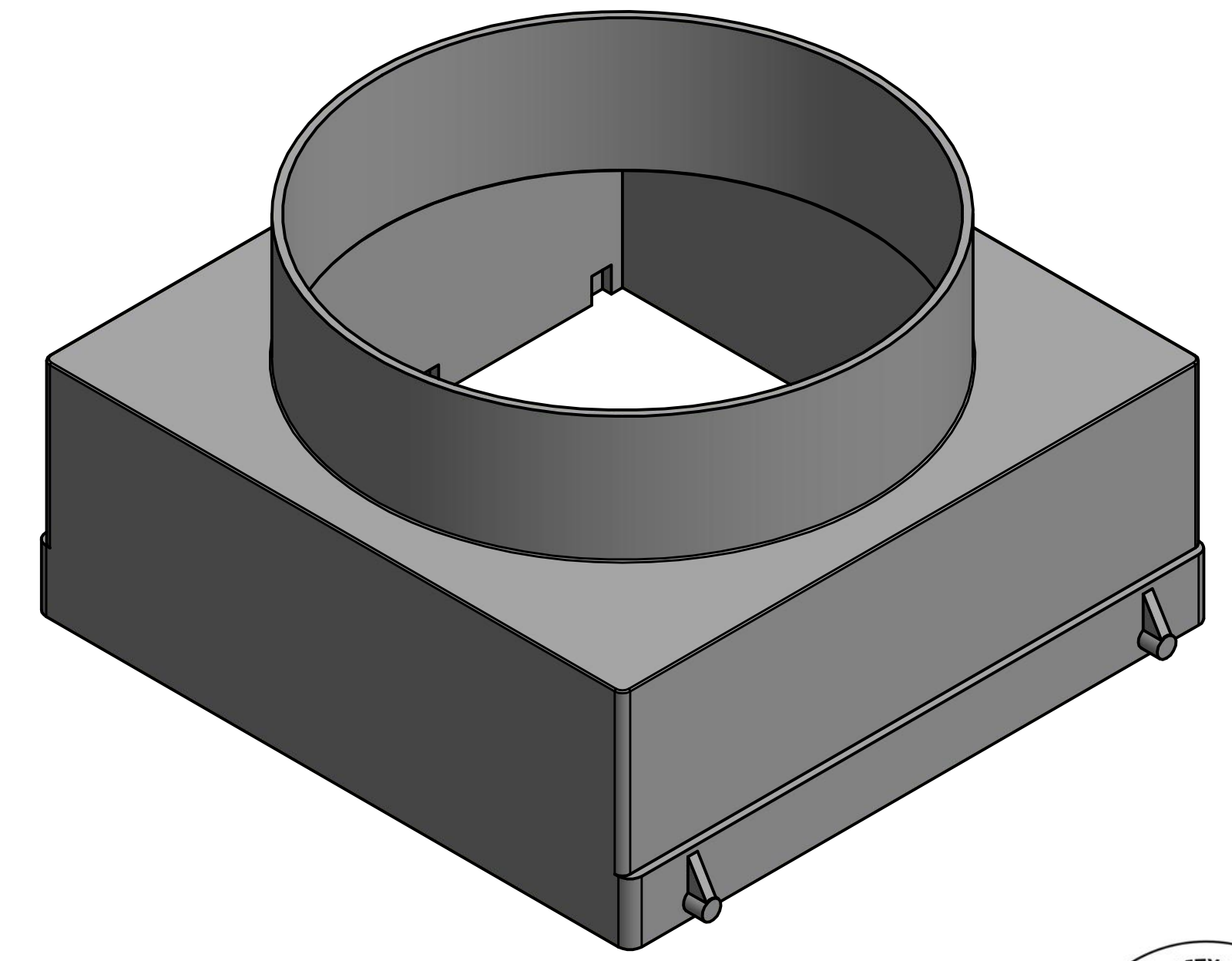
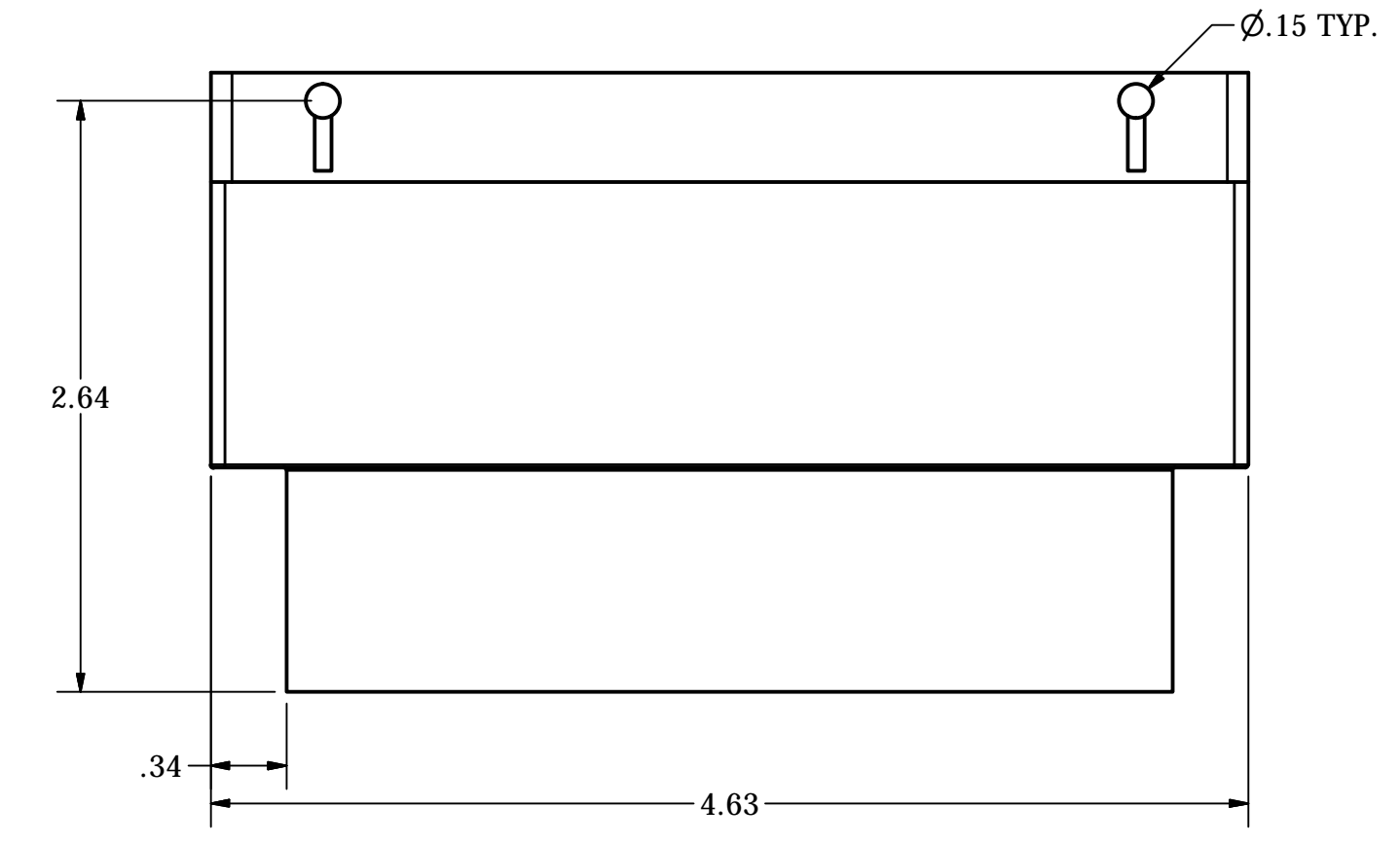
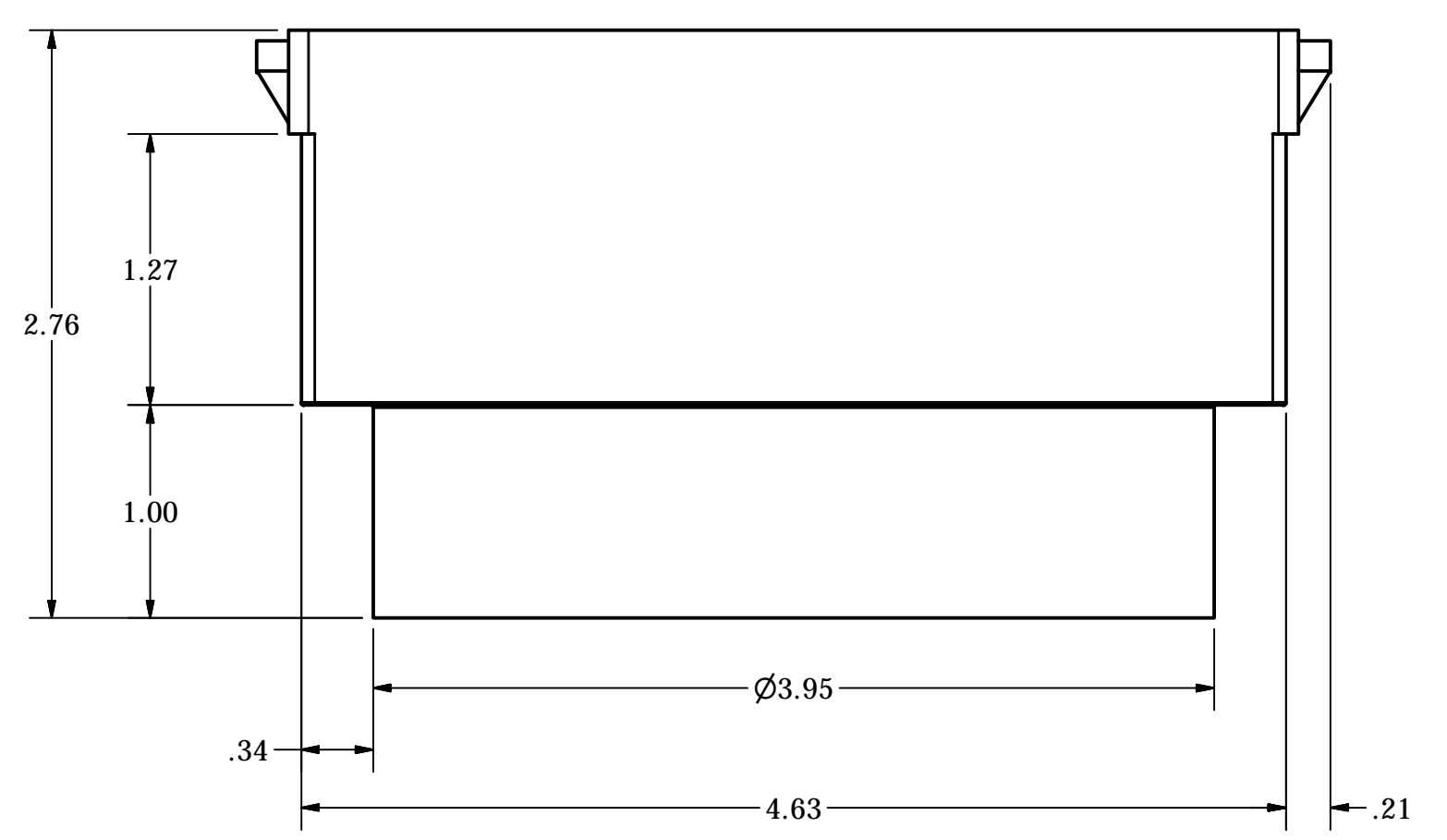
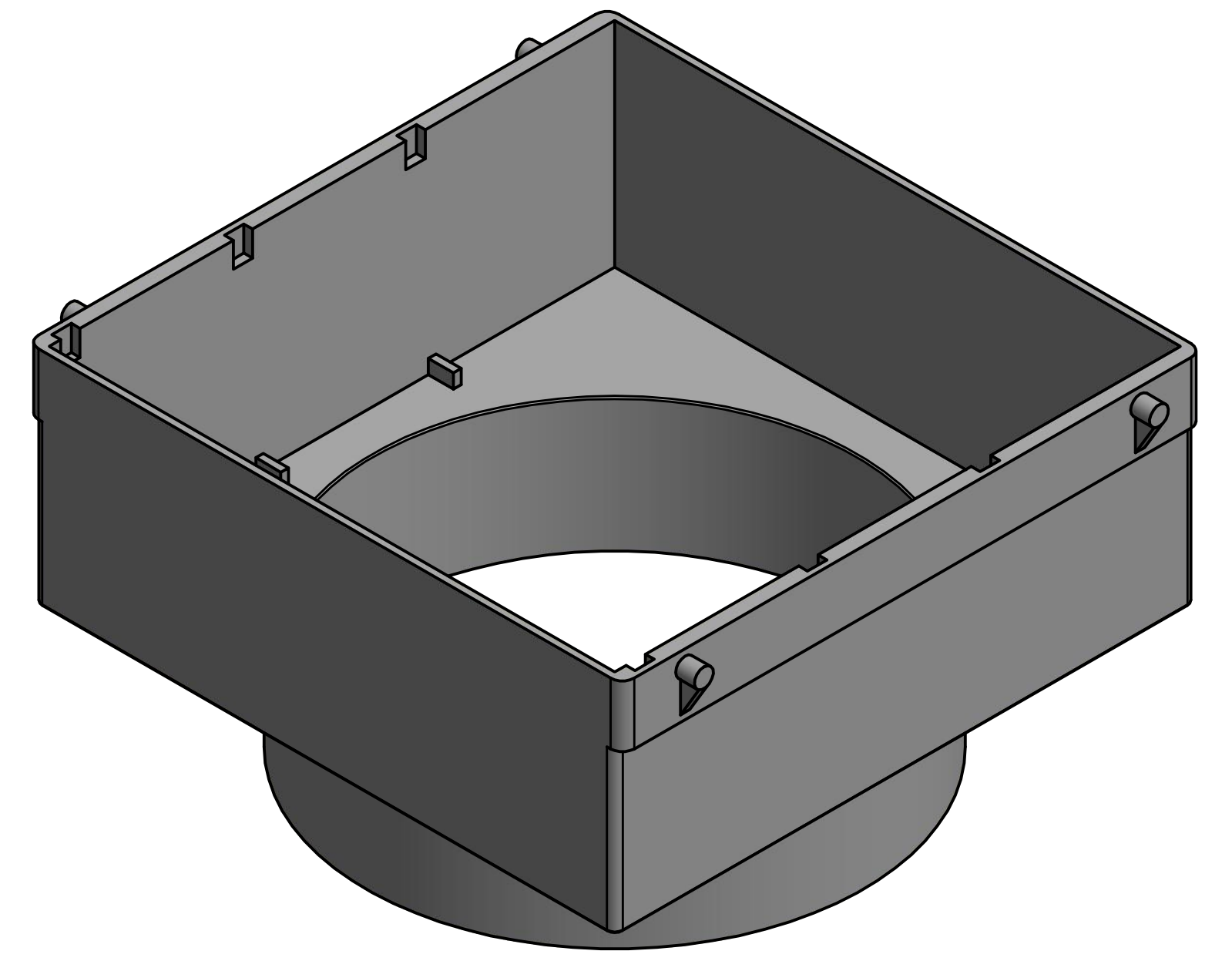


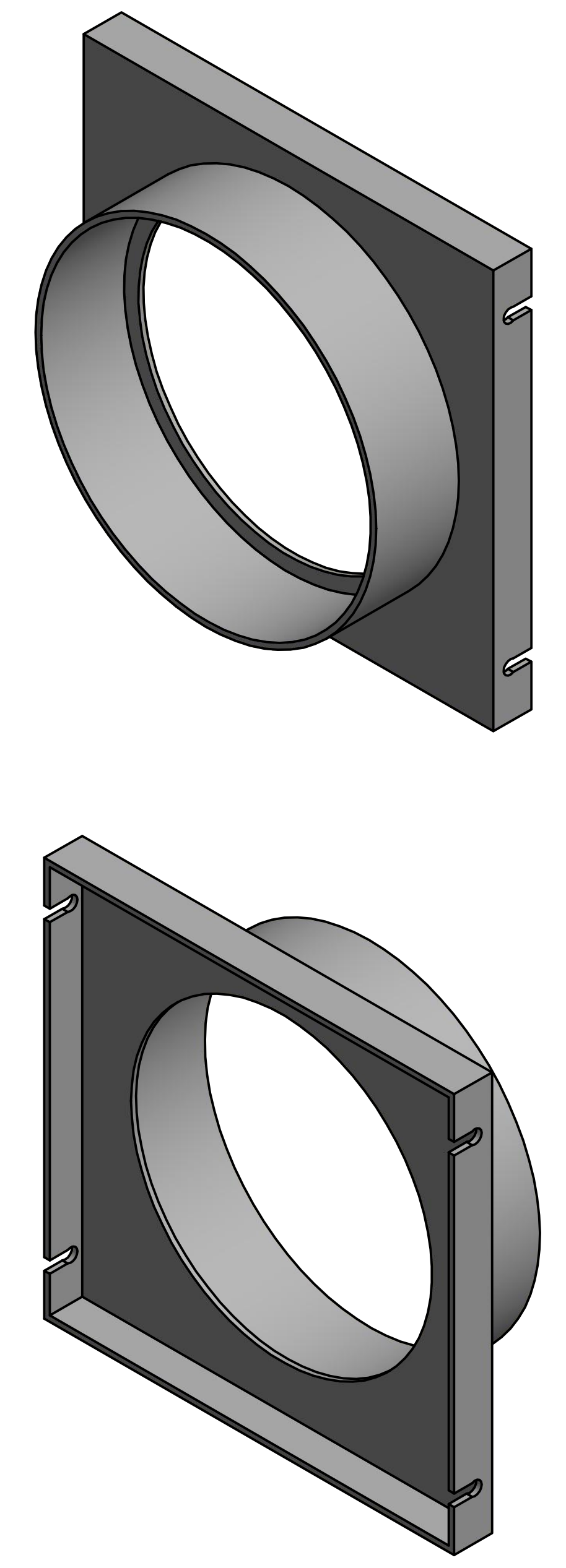
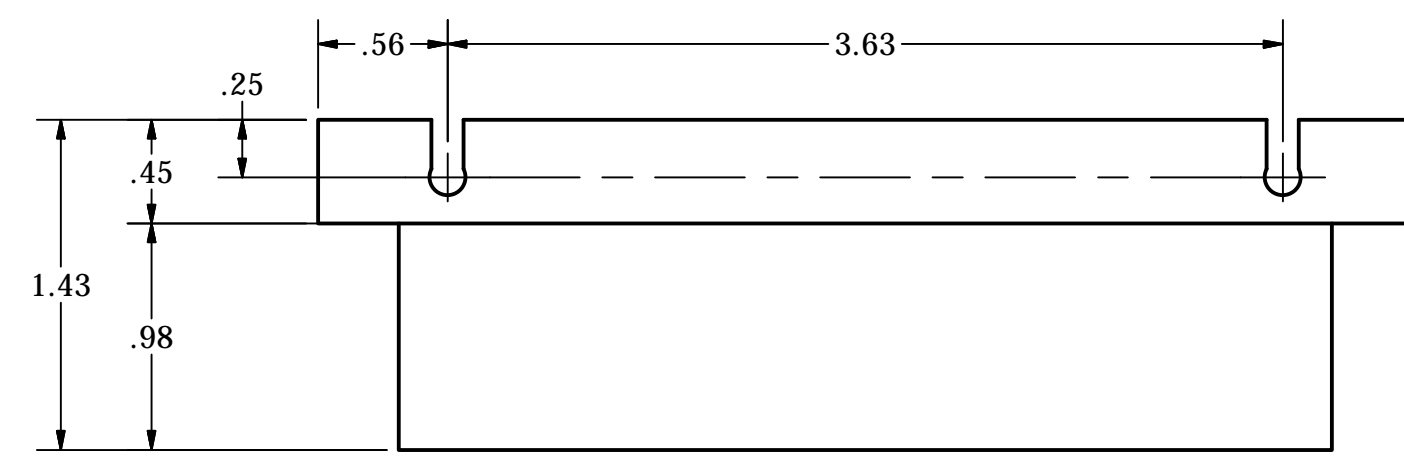
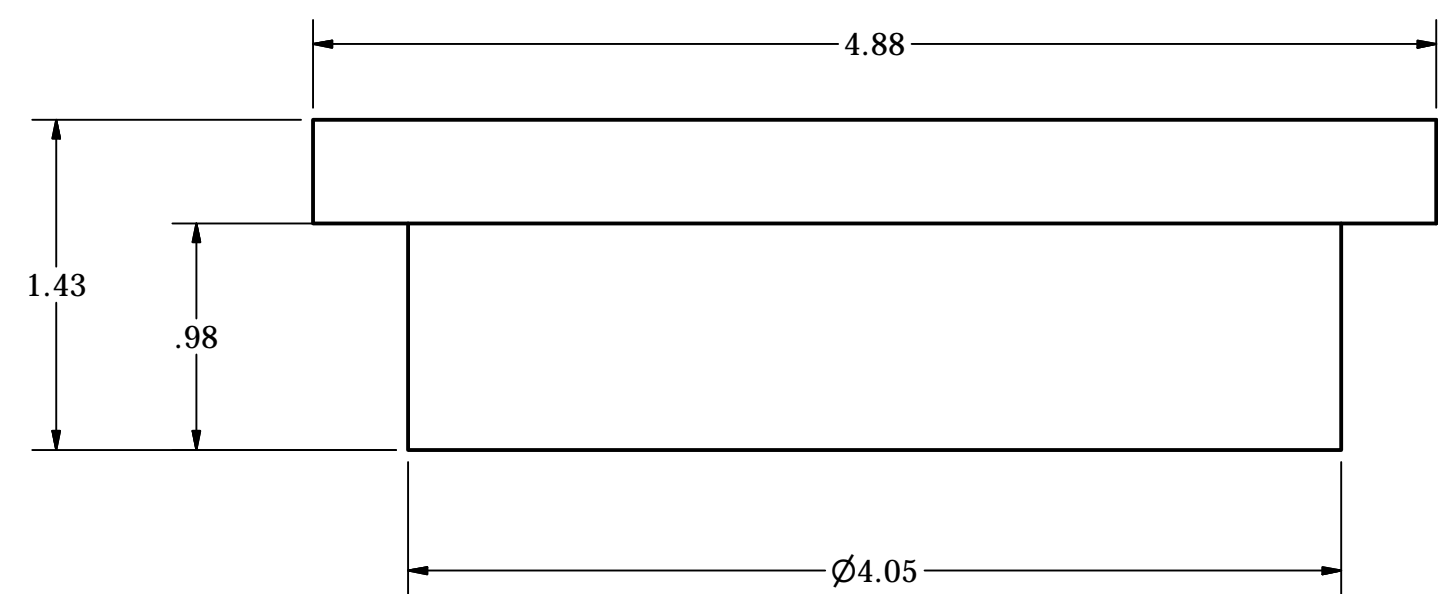
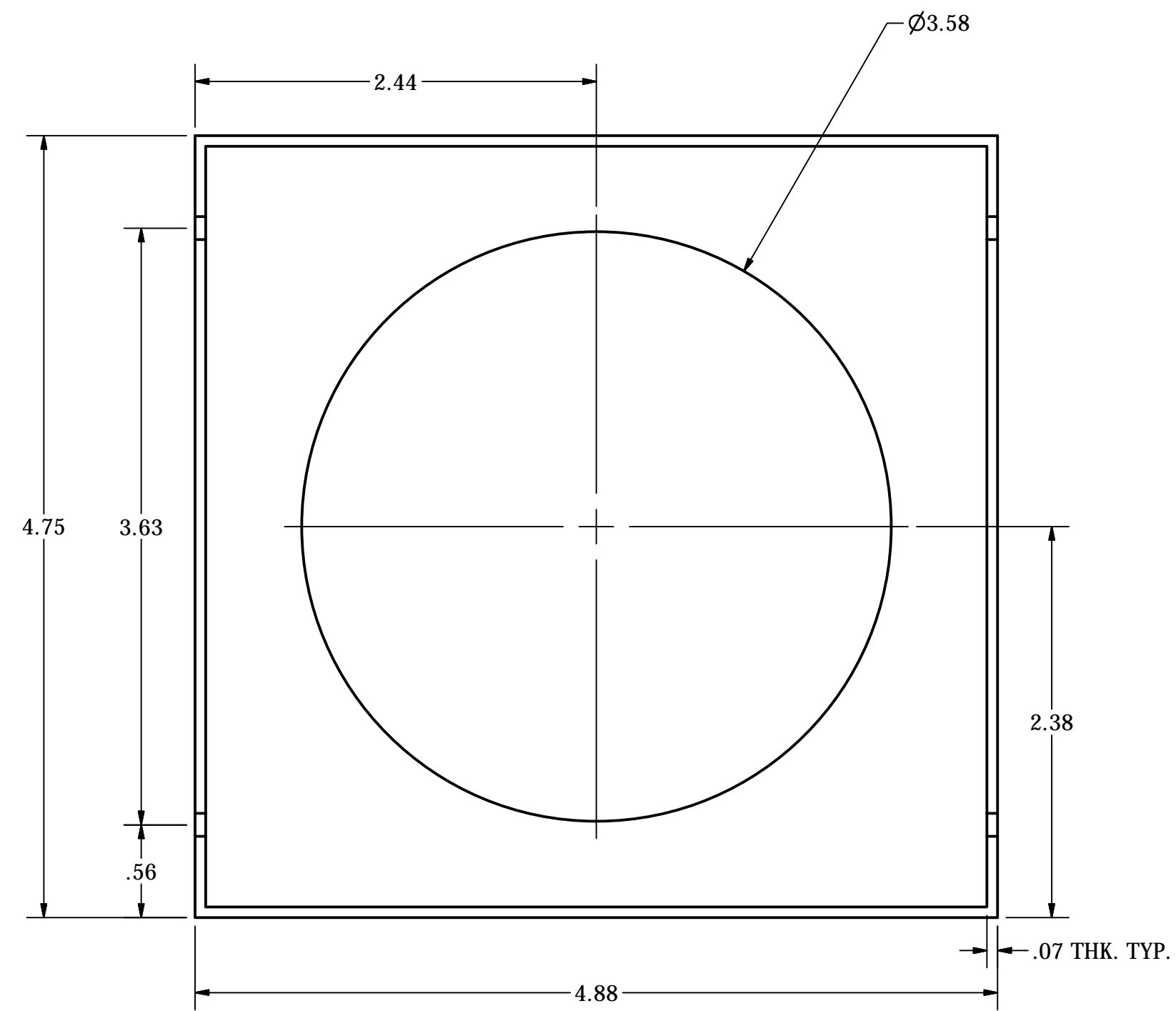
DRAWN	J.VALENTI	1/8/2015	LAMBRO INDUSTRIES, INC.		
CHECKED			TITLE		
QA			DRYER VENT ASSEMBLY		
MFG			SIZE	DWG NO	REV
APPROVED			D	1775L ASSEMBLY	
			SCALE		SHEET 1 OF 1



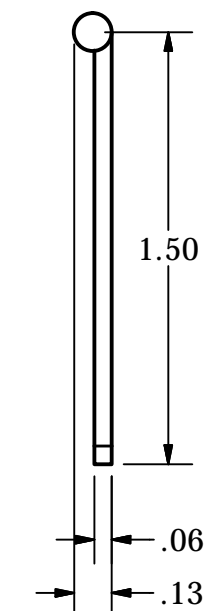
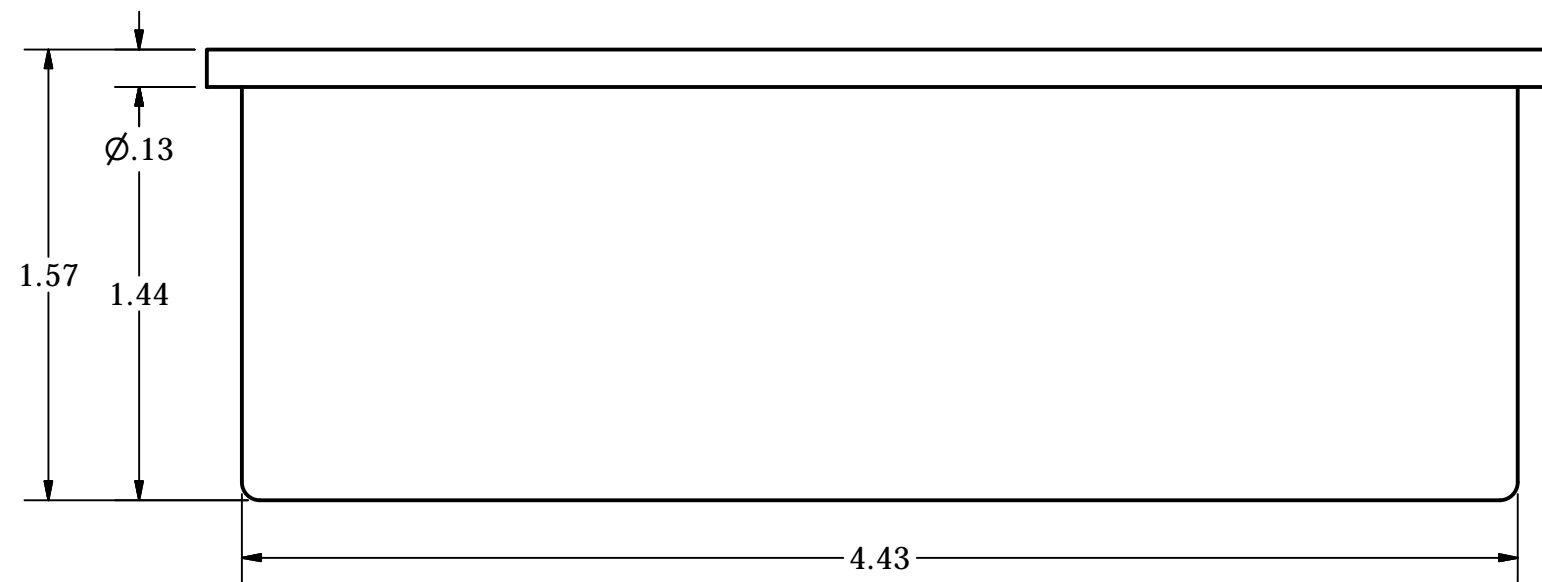
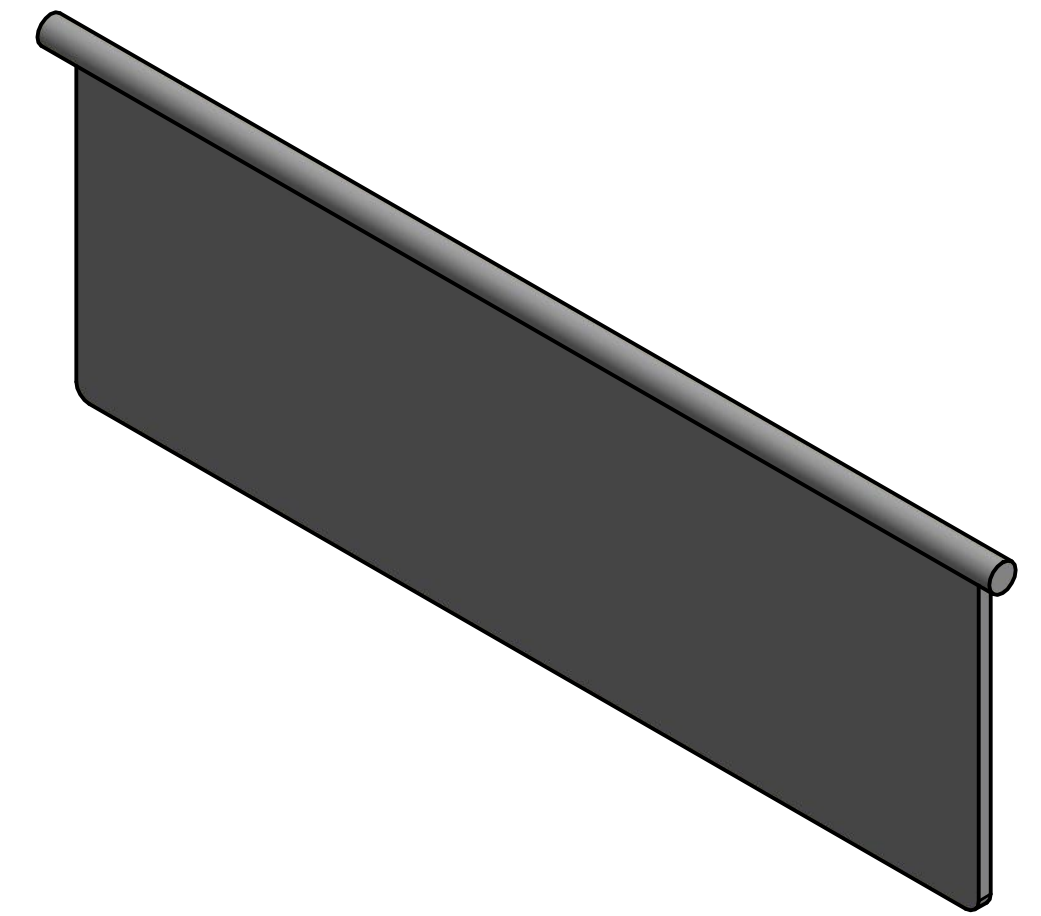
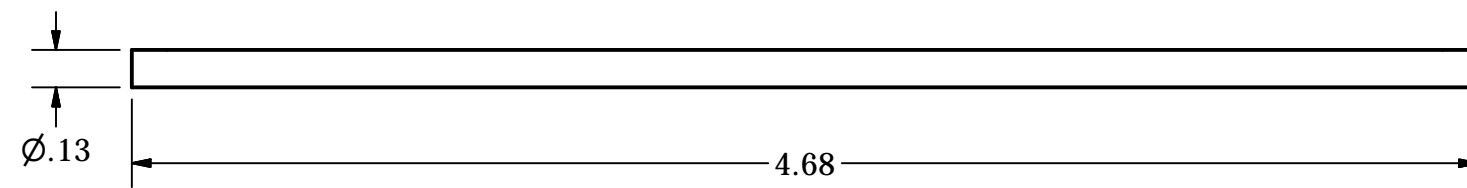
SECTION A-A



DRAWN J.VALENTI	1/8/2015	LAMBRO INDUSTRIES, INC.		
CHECKED		TITLE		
QA		VENT FRAME		
MFG		SIZE	DWG NO	REV
APPROVED		D	1775L	
		SCALE	SHEET 1 OF 1	



DRAWN	J.VALENTI	1/8/2015	LAMBRO INDUSTRIES, INC.		
CHECKED			TITLE		
QA			VENT CAP		
MFG					
APPROVED					
			SIZE	DWG NO	REV
			D	1775L	
			SCALE	SHEET 1 OF 1	



DRAWN J. VALENTI	1/8/2015	LAMBRO INDUSTRIES, INC.		
CHECKED		TITLE		
QA		VENT EXHAUST FLAP		
MFG		SIZE	DWG NO	REV
APPROVED		C	1775L	
		SCALE	SHEET 1 OF 1	