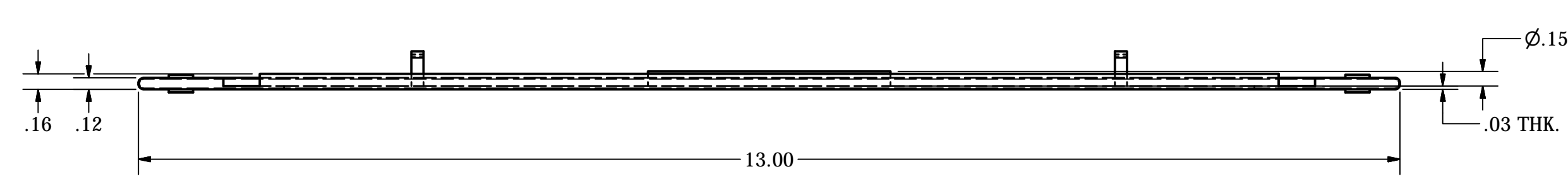
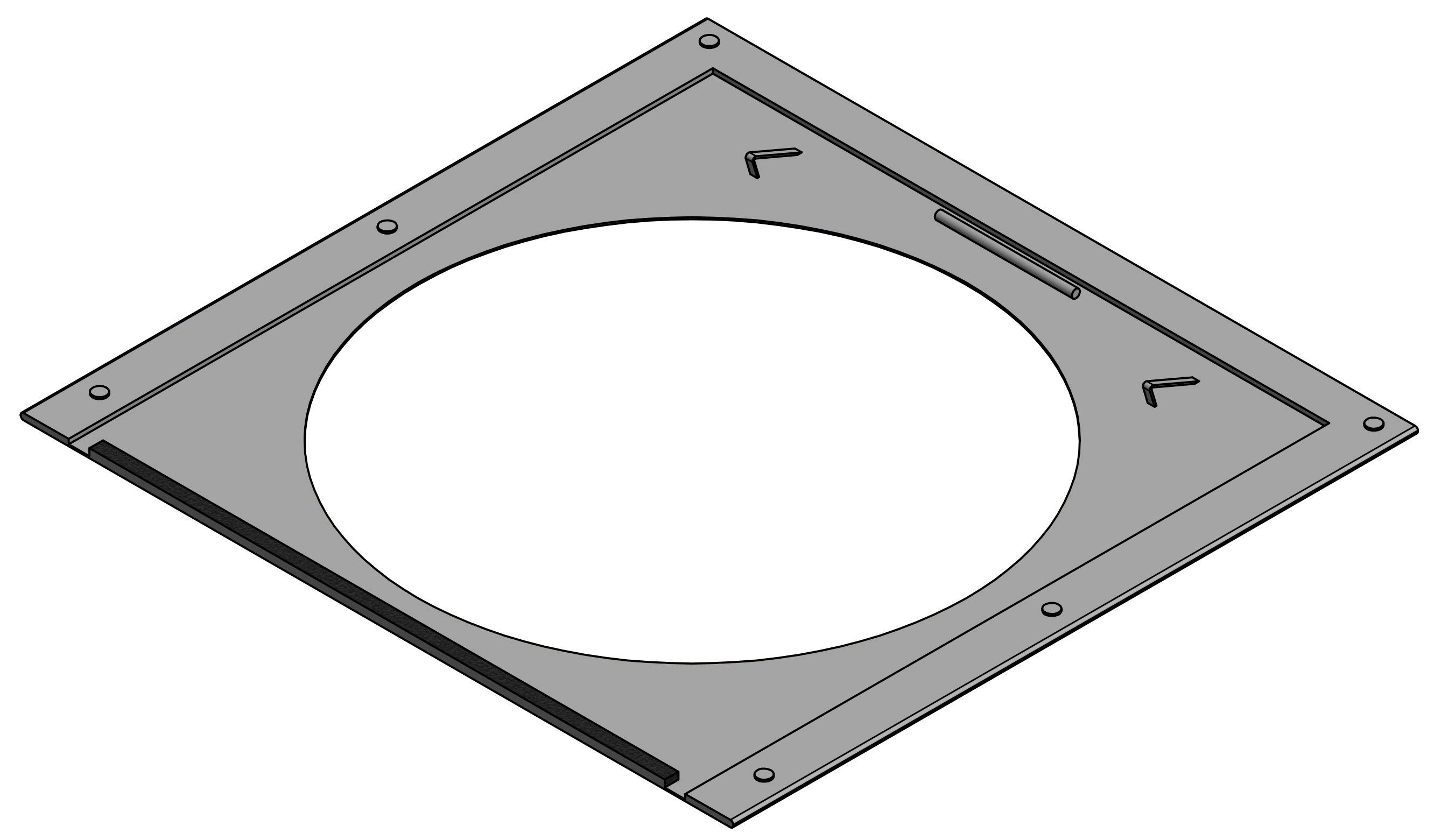
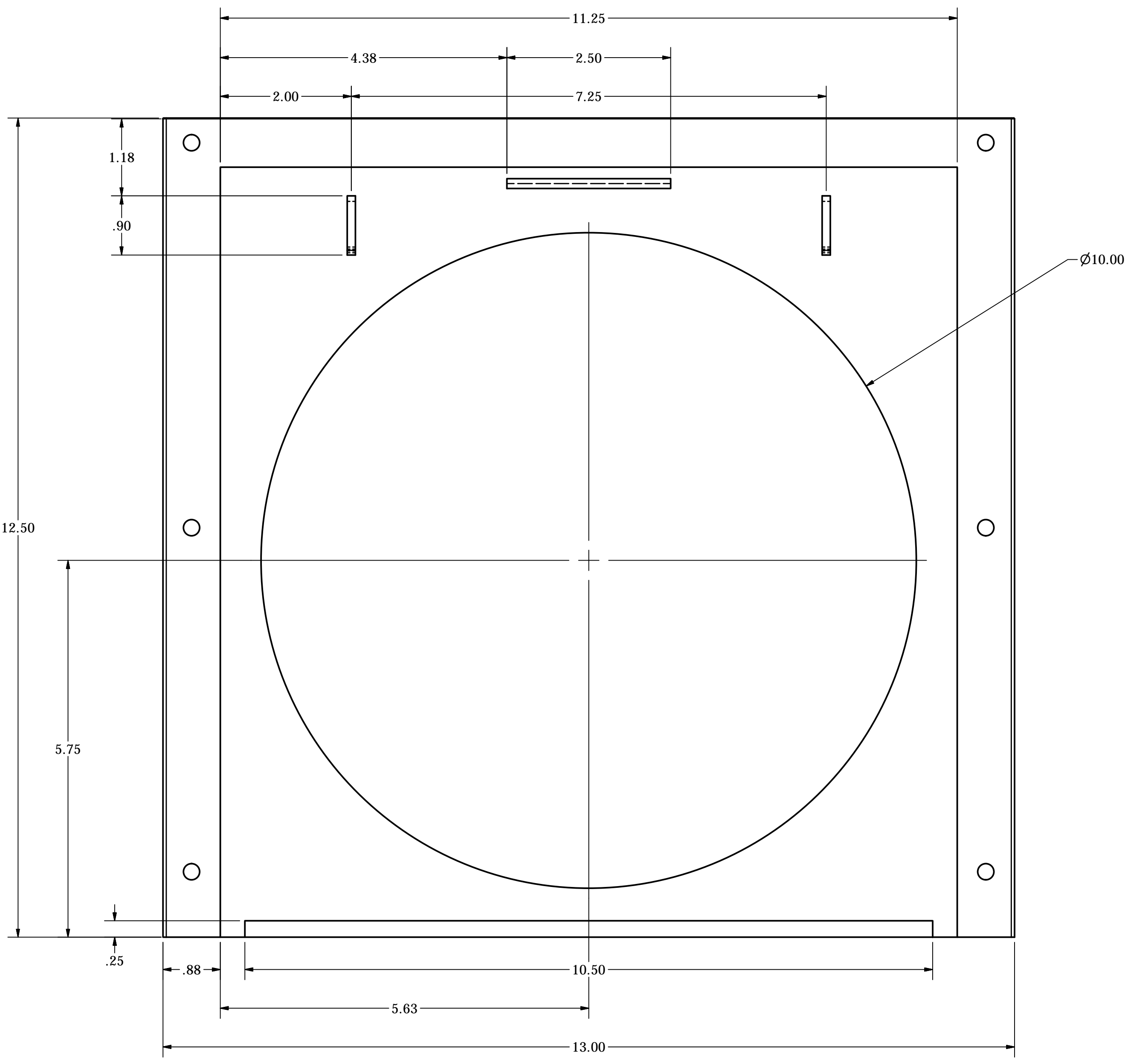
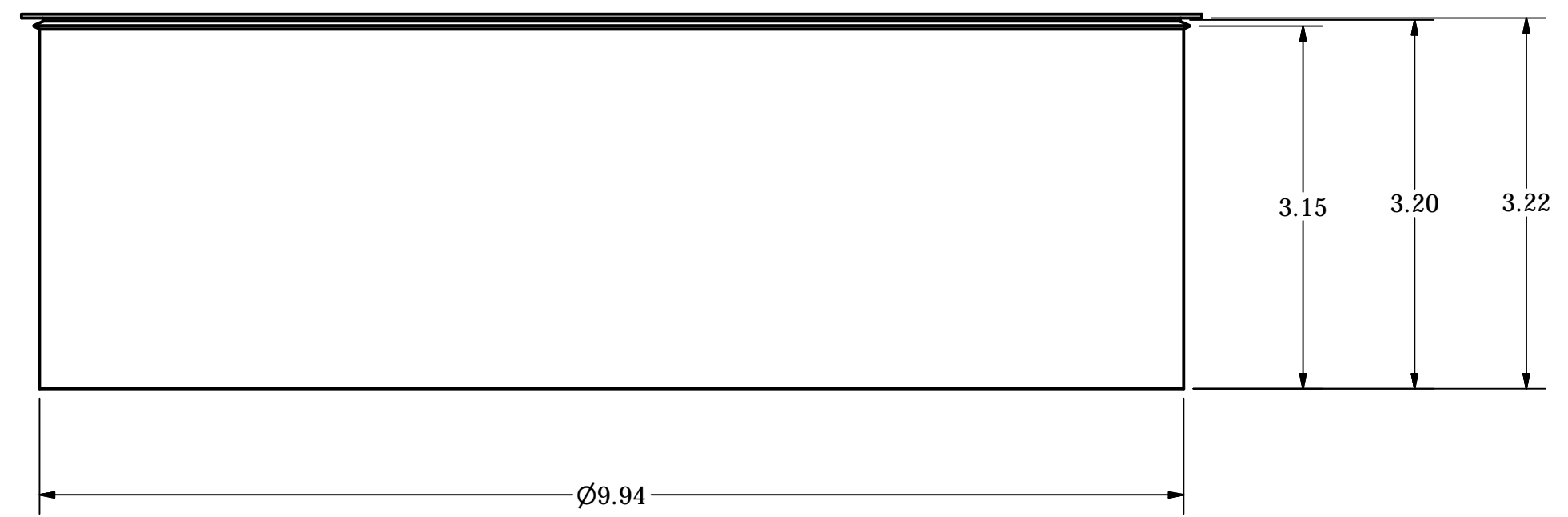
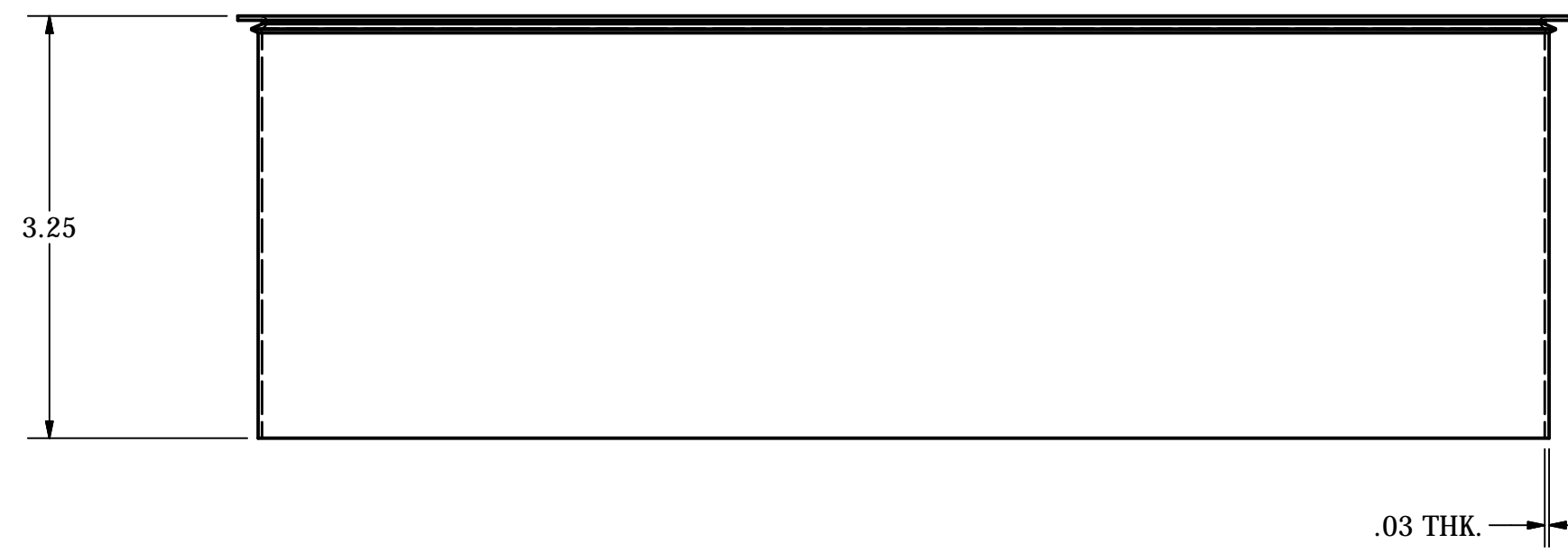
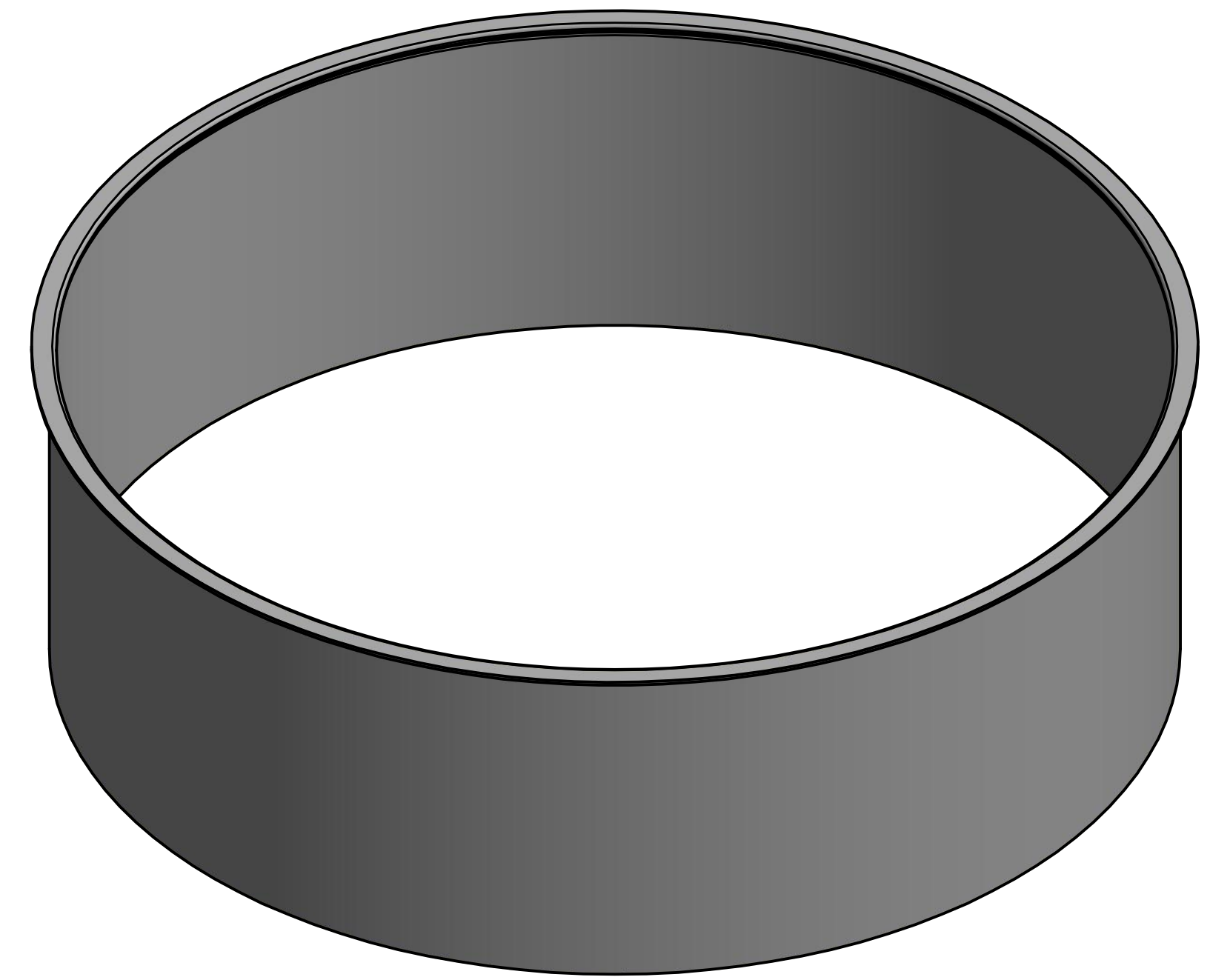
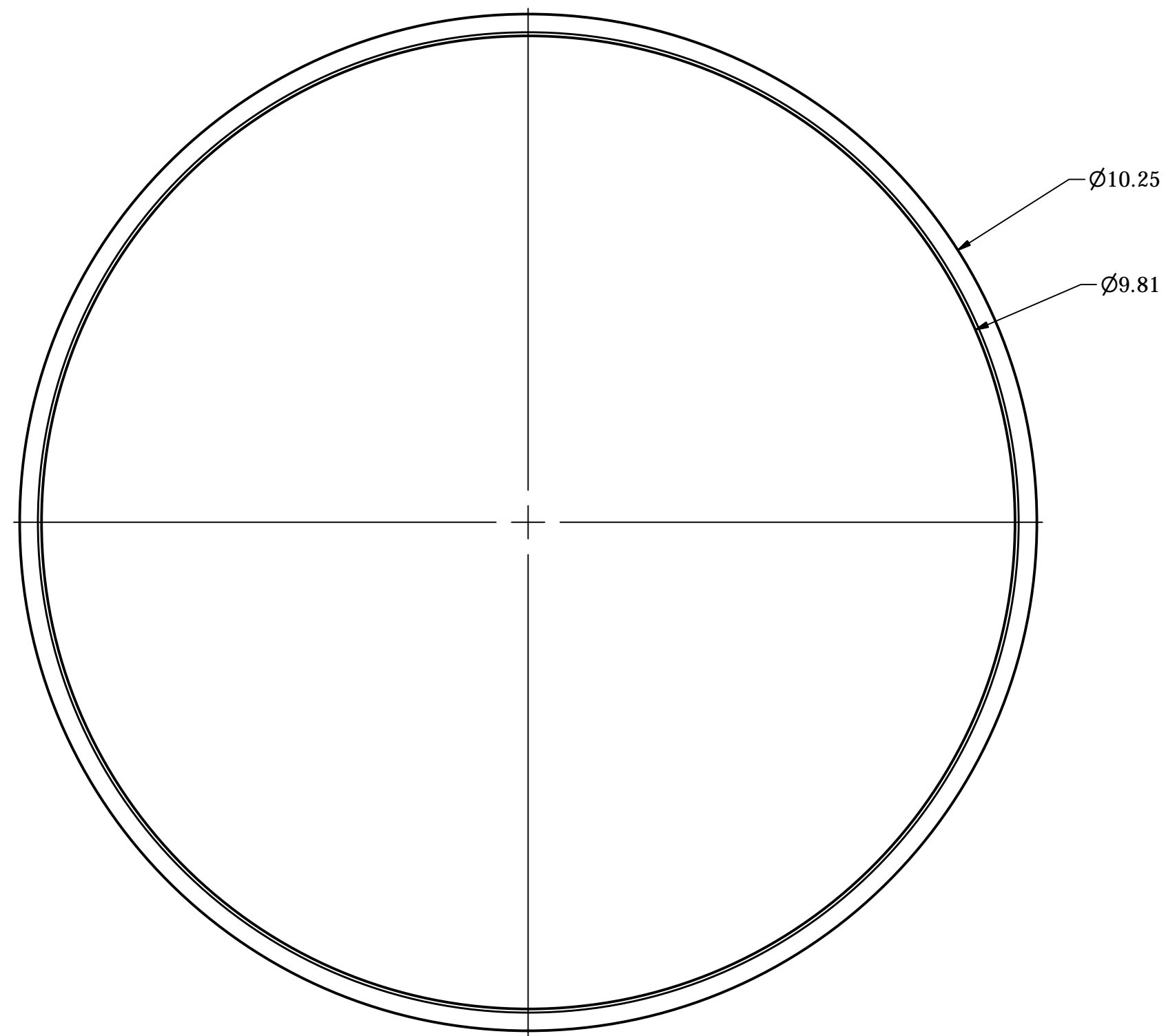


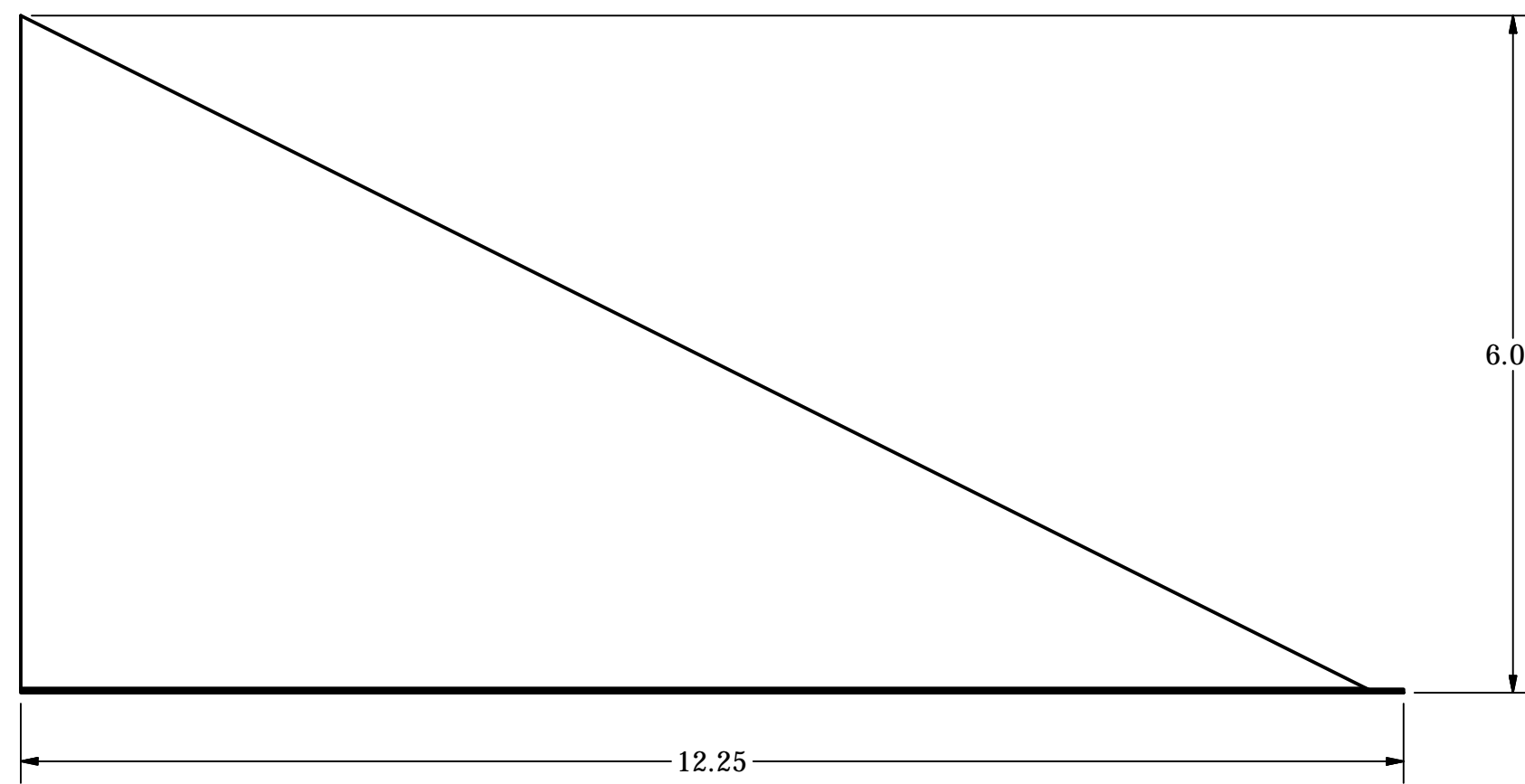
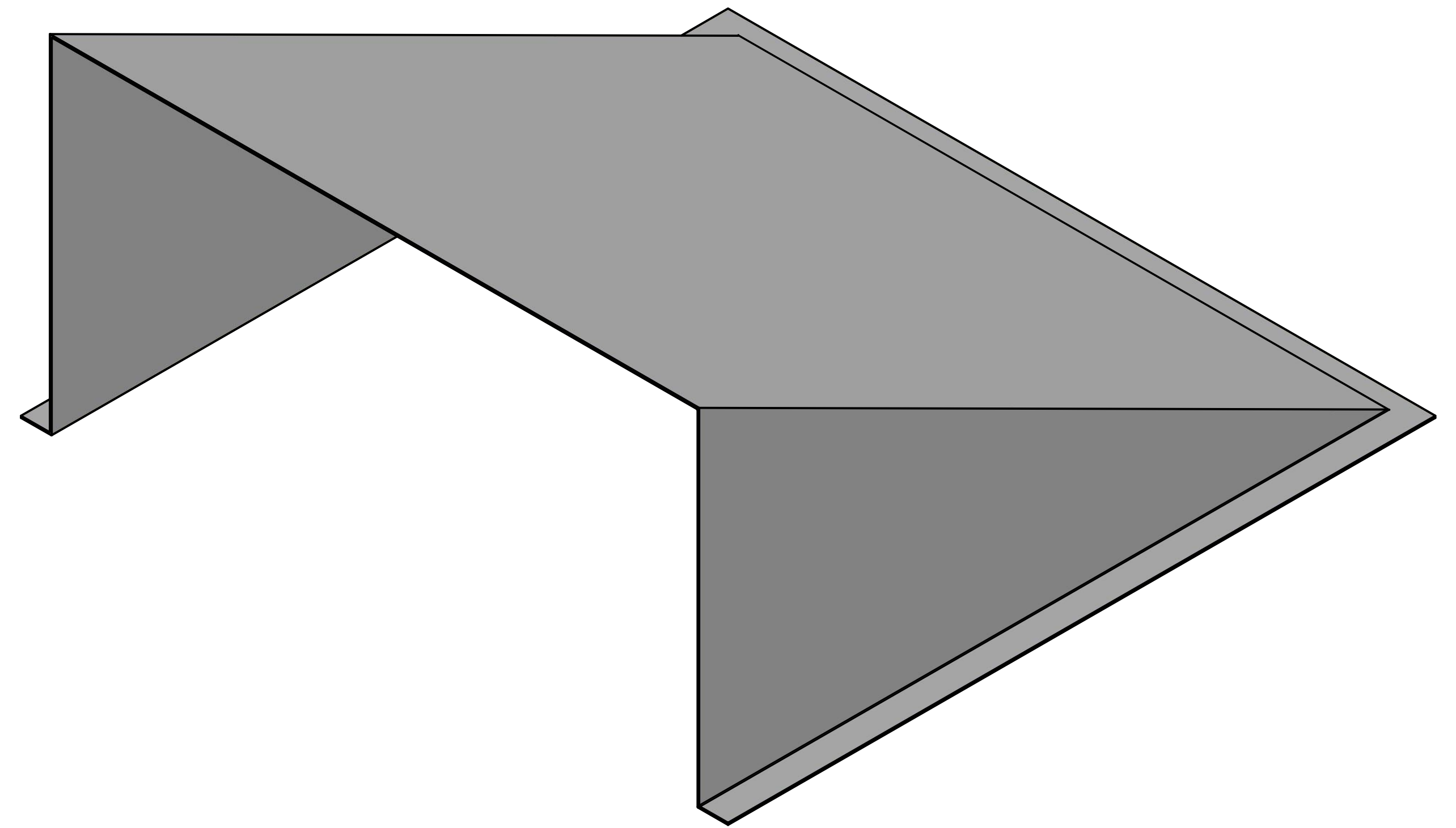
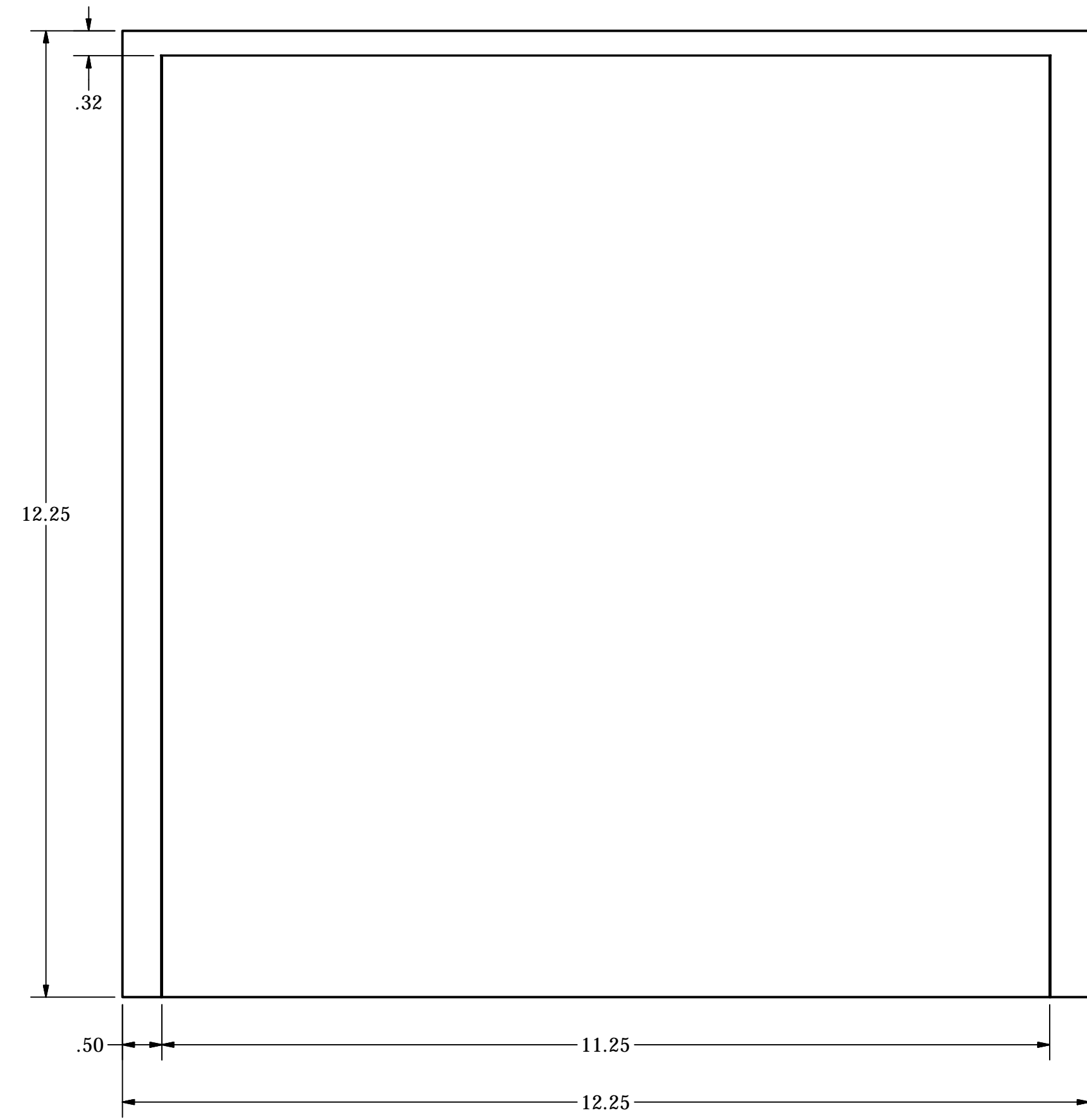
DRAWN	J.VALENTI	4/12/2015	LAMBRO INDUSTRIES, INC.		
CHECKED			TITLE		
QA			LARGE ALUMINUM VENT ASSEMBLY		
MFG					
APPROVED					
			SIZE	DWG NO	REV
			D	LARGE VENT ASSEMBLY	A
			SCALE	SHEET 1 OF 1	



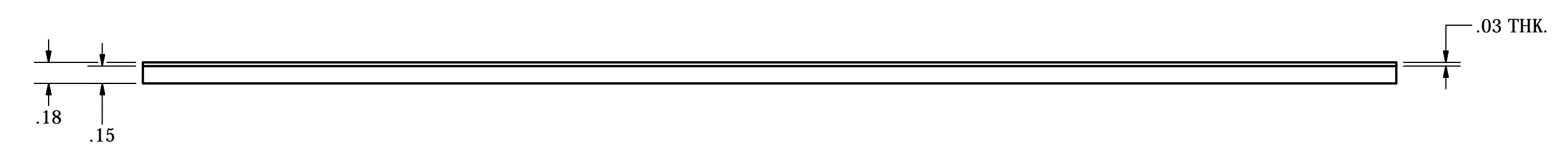
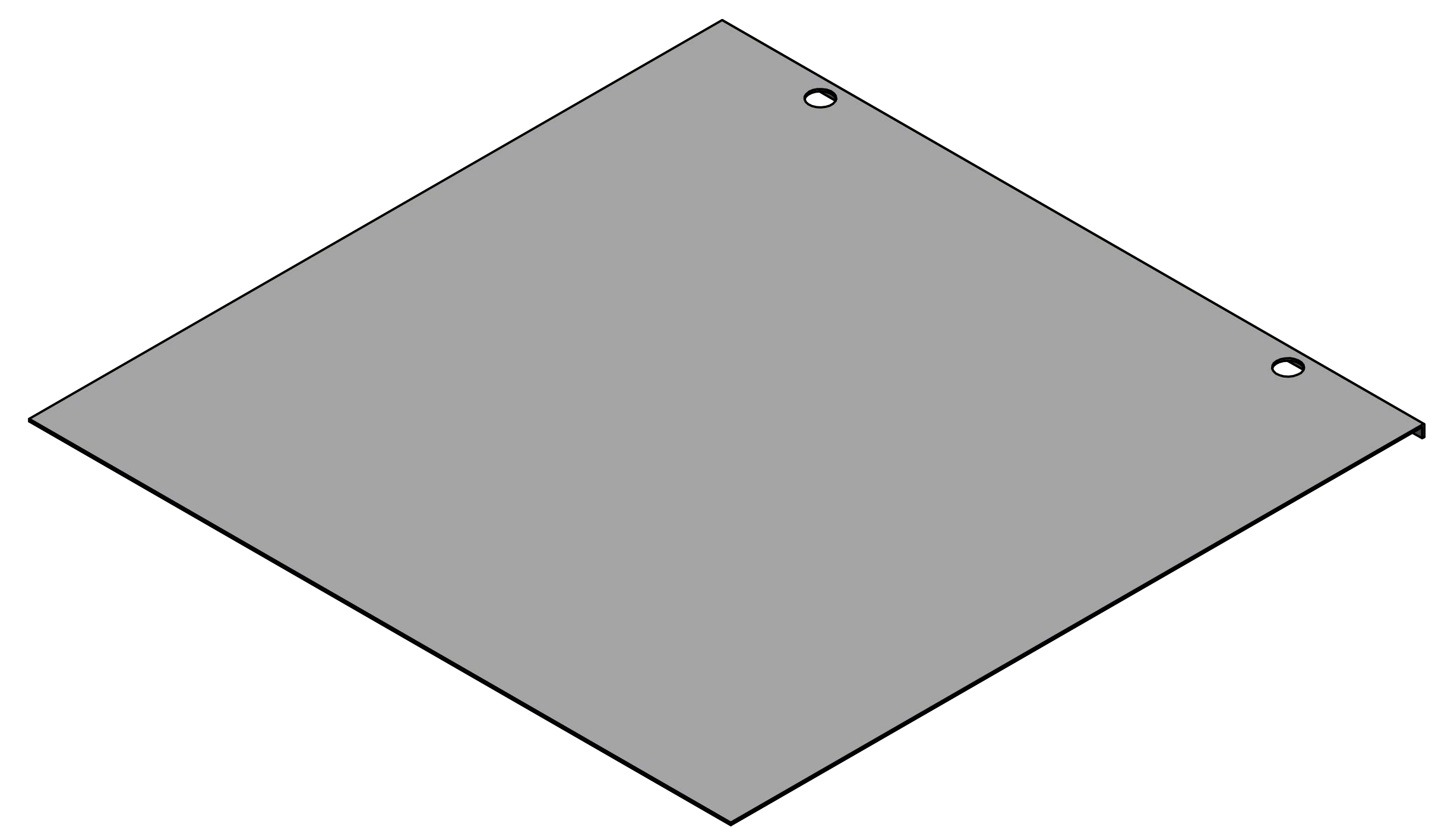
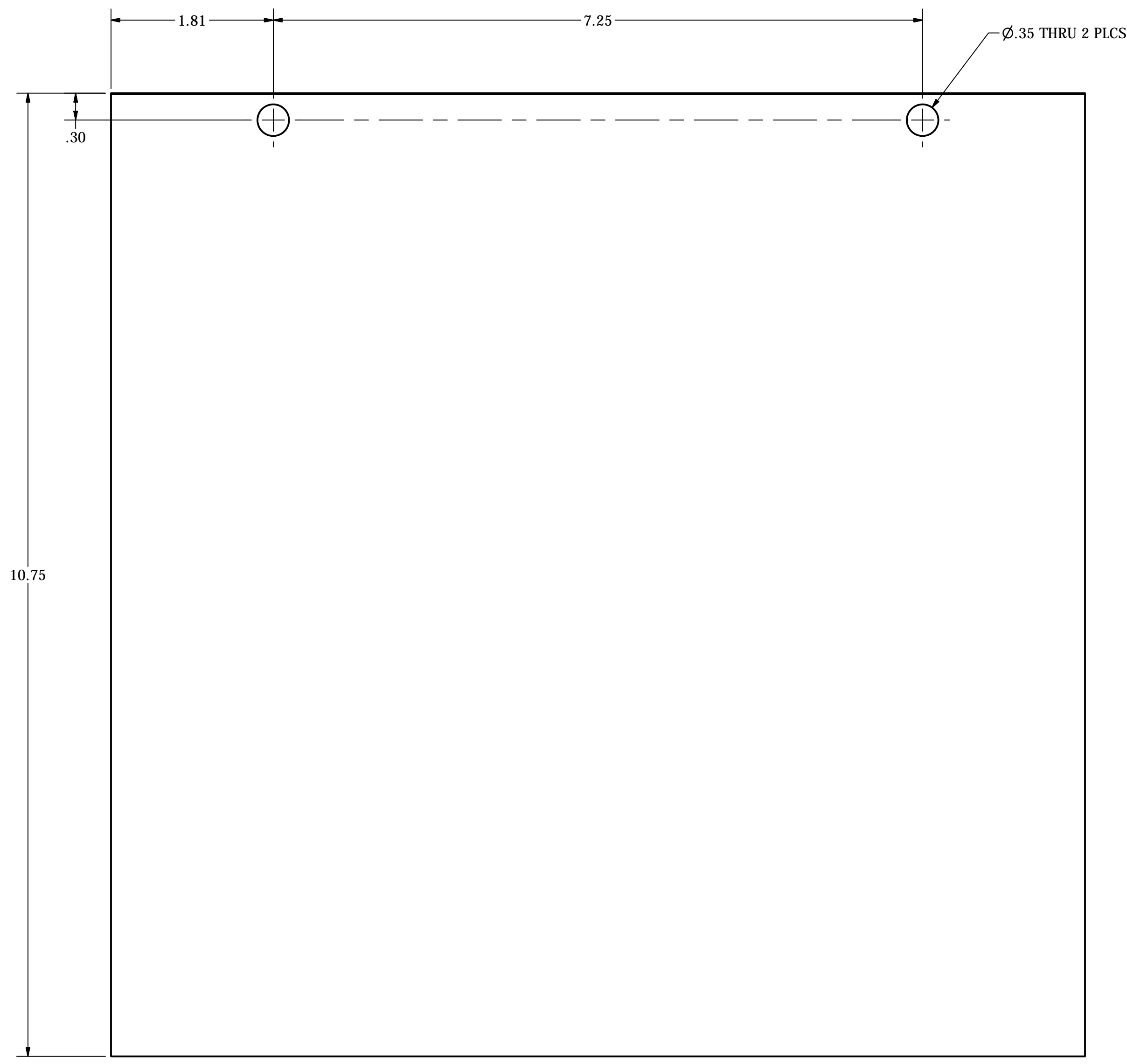
DRAWN	J.VALENTI	4/12/2015	LAMBRO INDUSTRIES, INC.		
CHECKED			TITLE		
QA			BASE		
MFG			SIZE	DWG NO	REV
APPROVED			D	LARGE ALUMINUM VENT	A
			SCALE	SHEET 1 OF 1	



DRAWN J. VALENTI	4/12/2015	LAMBRO INDUSTRIES, INC.		
CHECKED		TITLE		
QA		TUBE		
MFG		SIZE	DWG NO	REV
APPROVED		D	LARGE ALUMINUM VENT	
		SCALE	SHEET 1 OF 1	



DRAWN J.VALENTI	4/12/2015	LAMBRO INDUSTRIES, INC.		
CHECKED		TITLE		
QA		CAP		
MFG		SIZE	DWG NO	REV
APPROVED		D	LARGE ALUMINUM VENT	A
		SCALE	SHEET 1 OF 1	



DRAWN	J.VALENTI	4/12/2015	LAMBRO INDUSTRIES, INC.		
CHECKED			TITLE		
QA			EXHAUST FLAP		
MFG			SIZE	DWG NO	REV
APPROVED			D	LARGE ALUMINUM VENT	A
			SCALE	SHEET 1 OF 1	