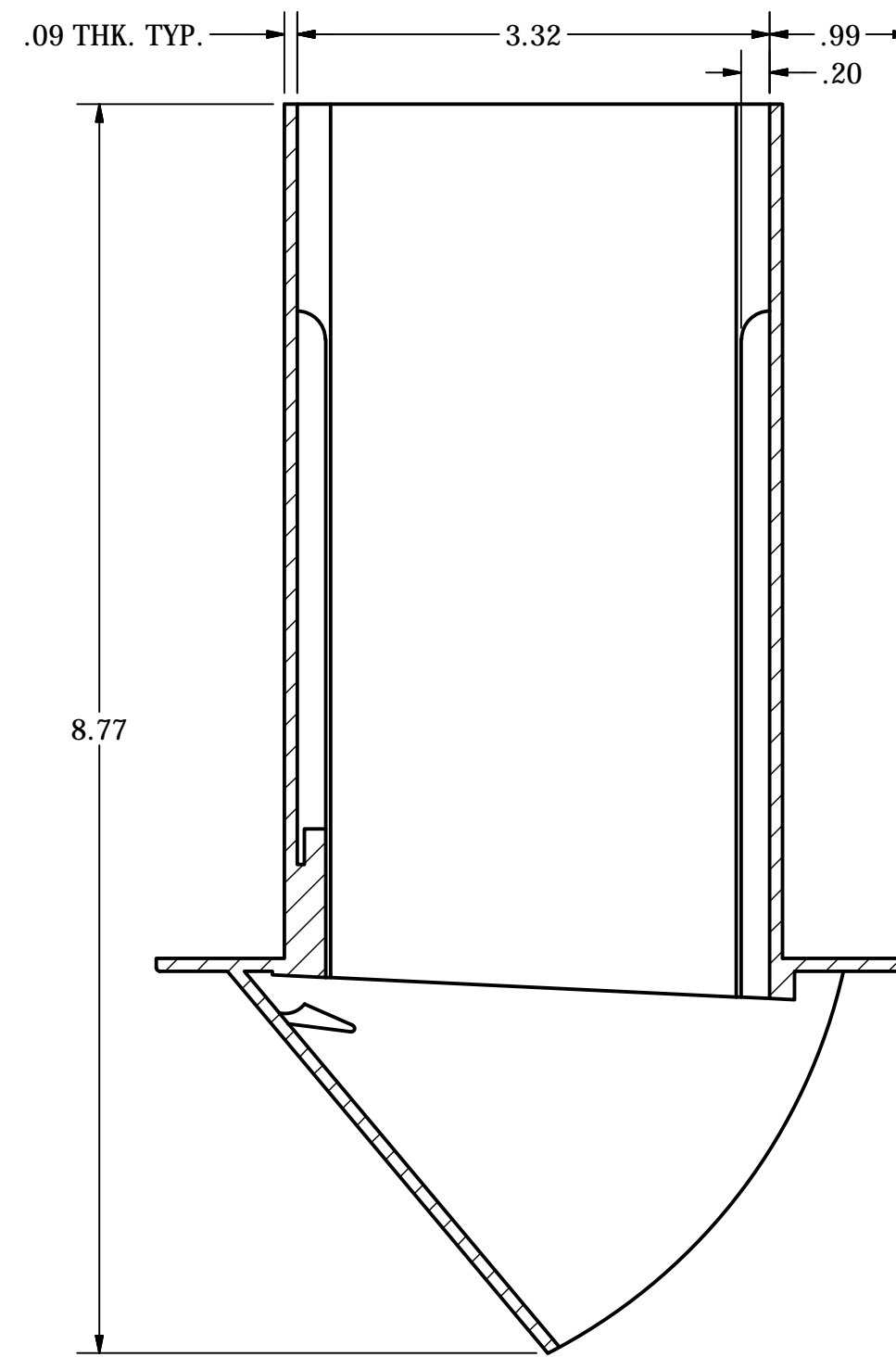
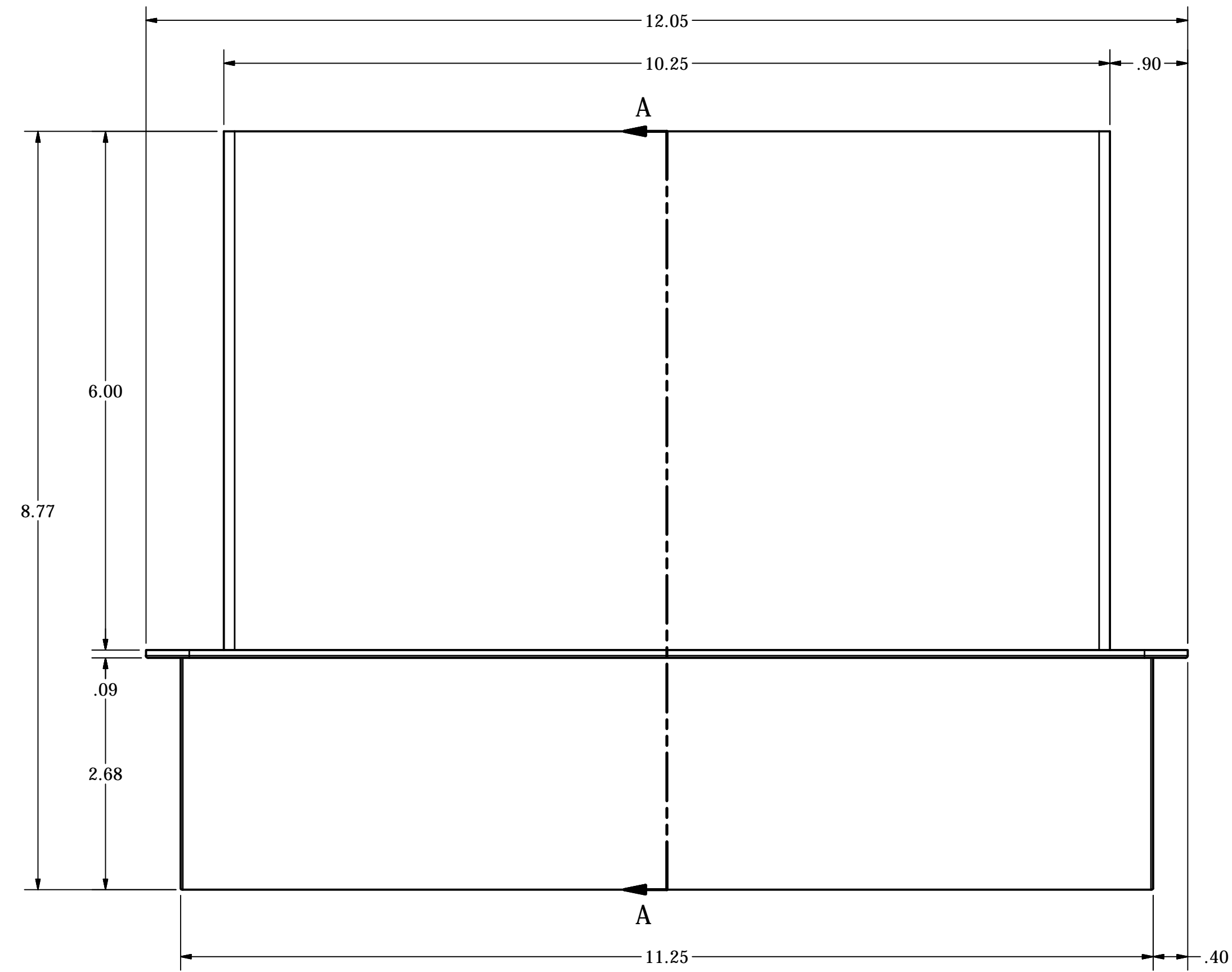
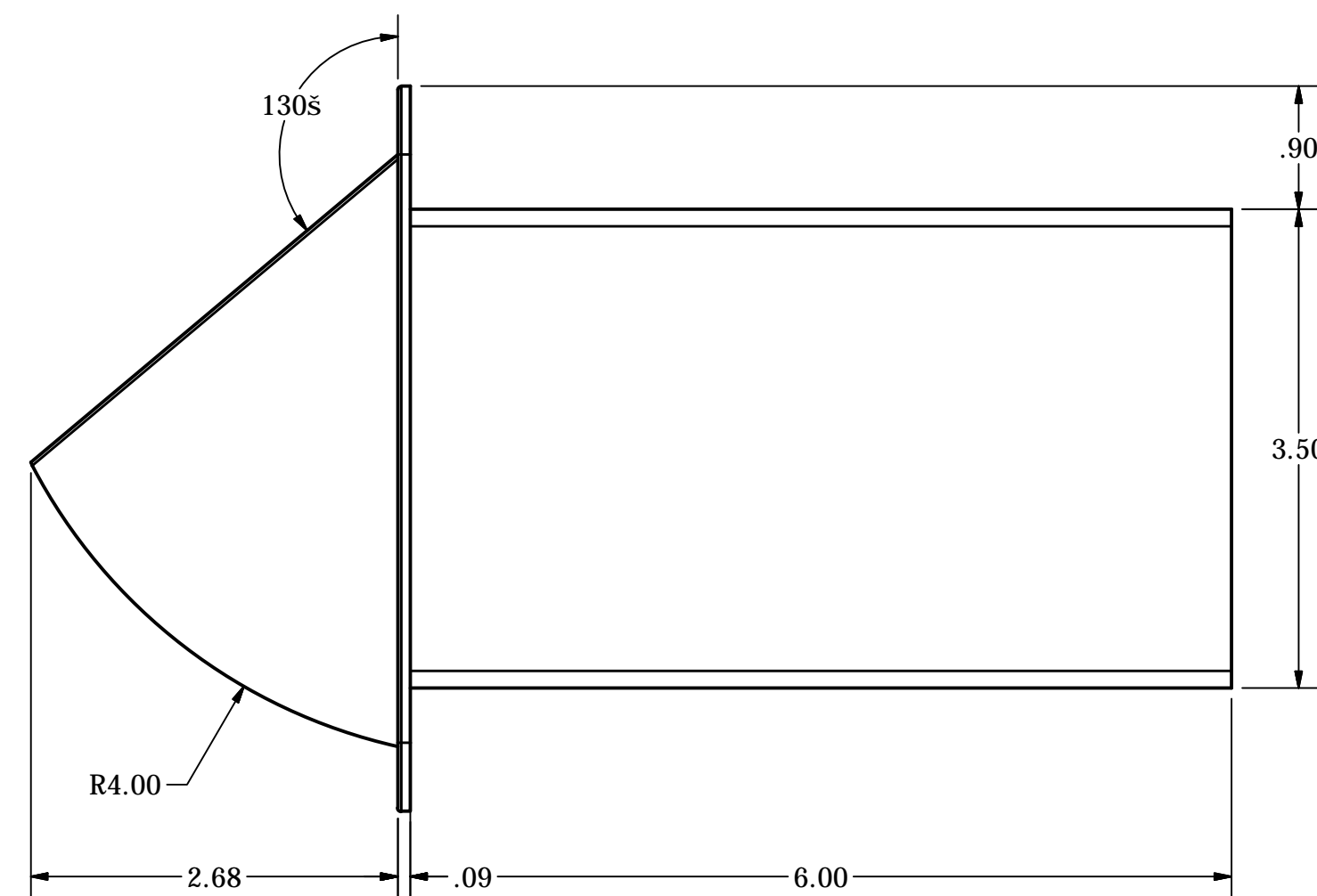
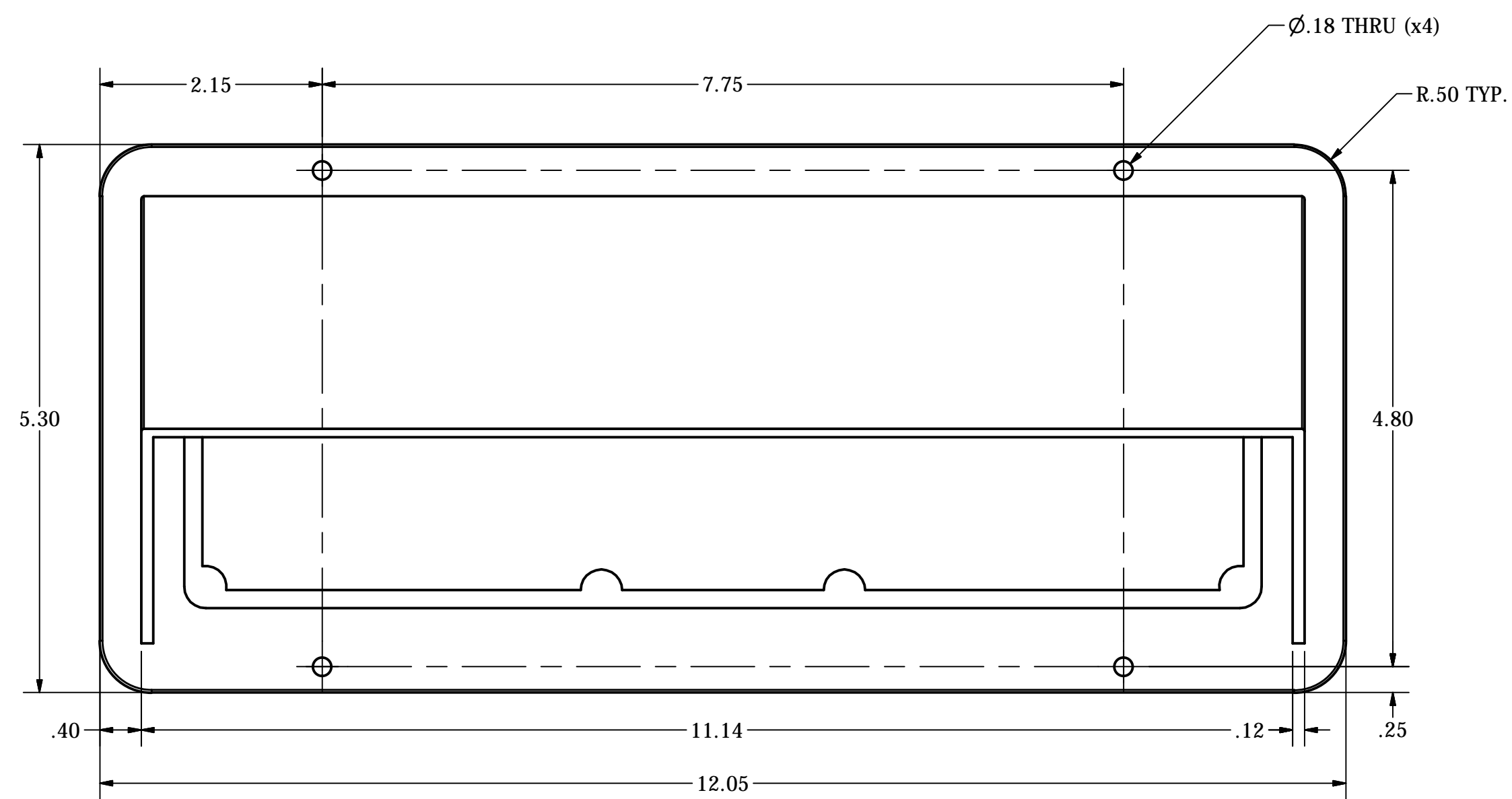
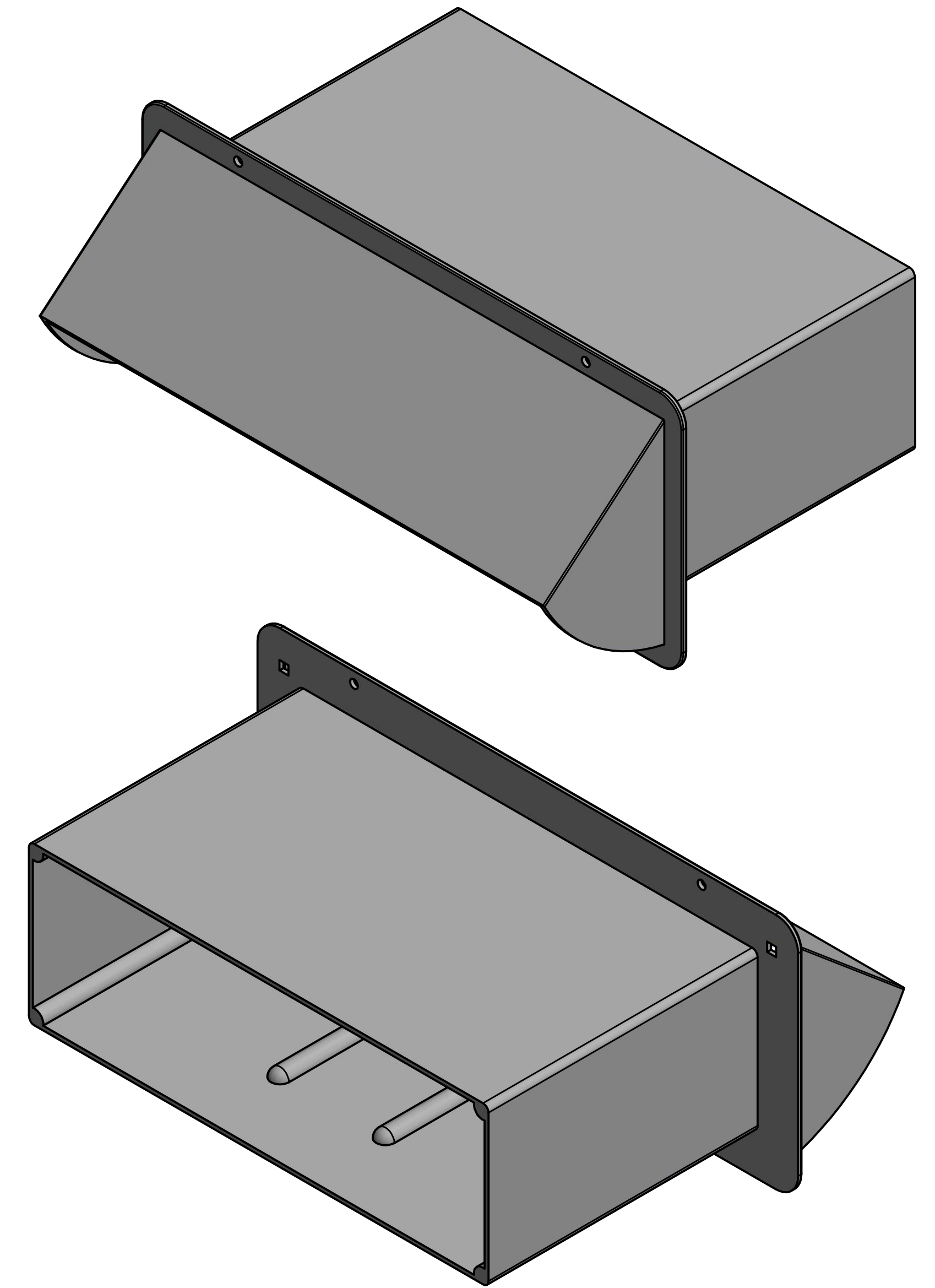


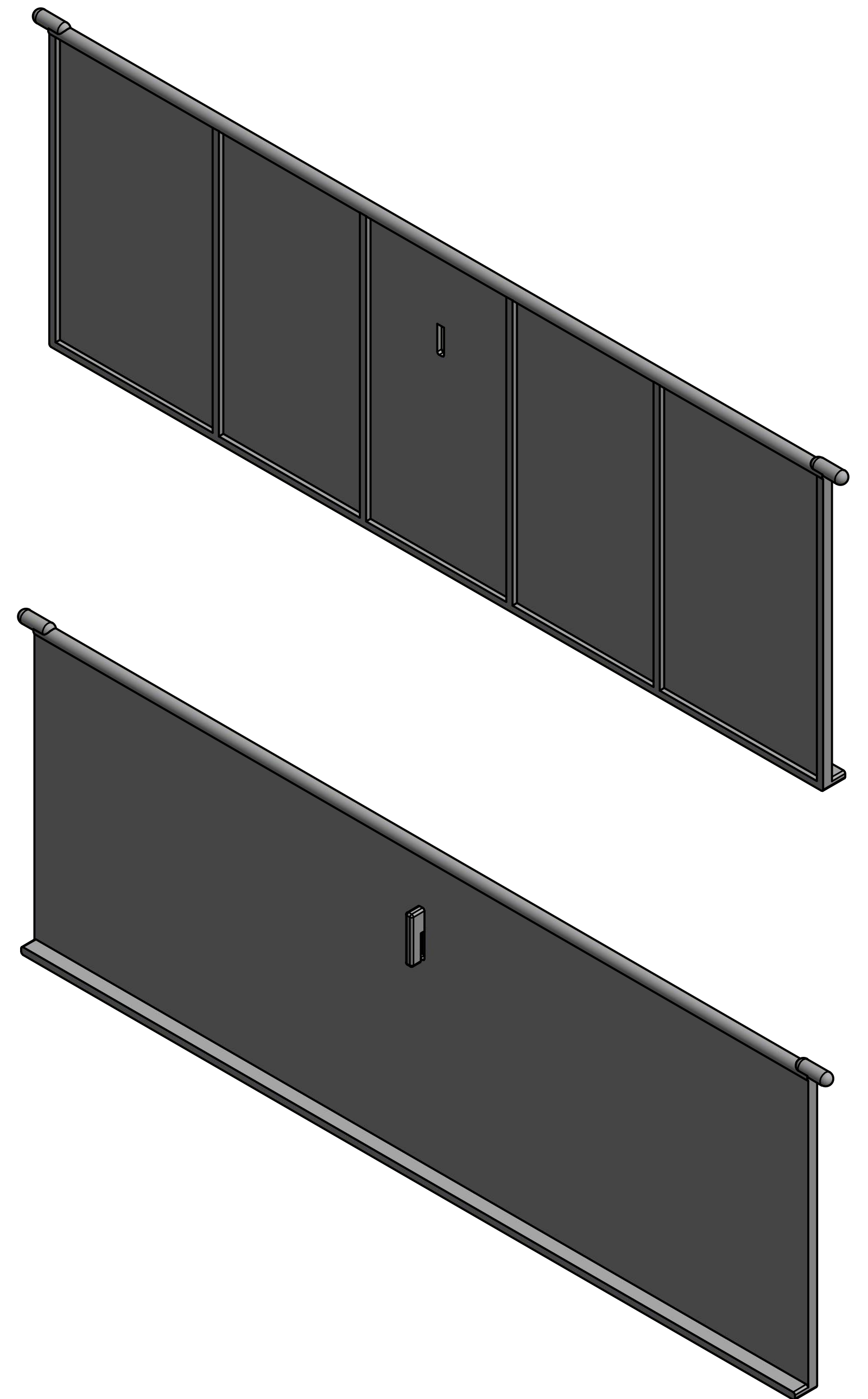
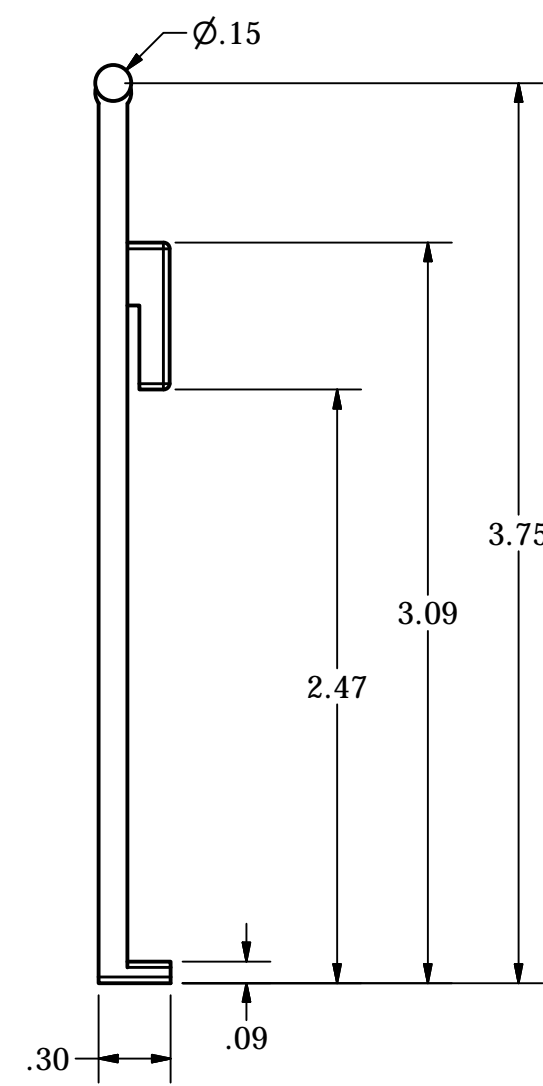
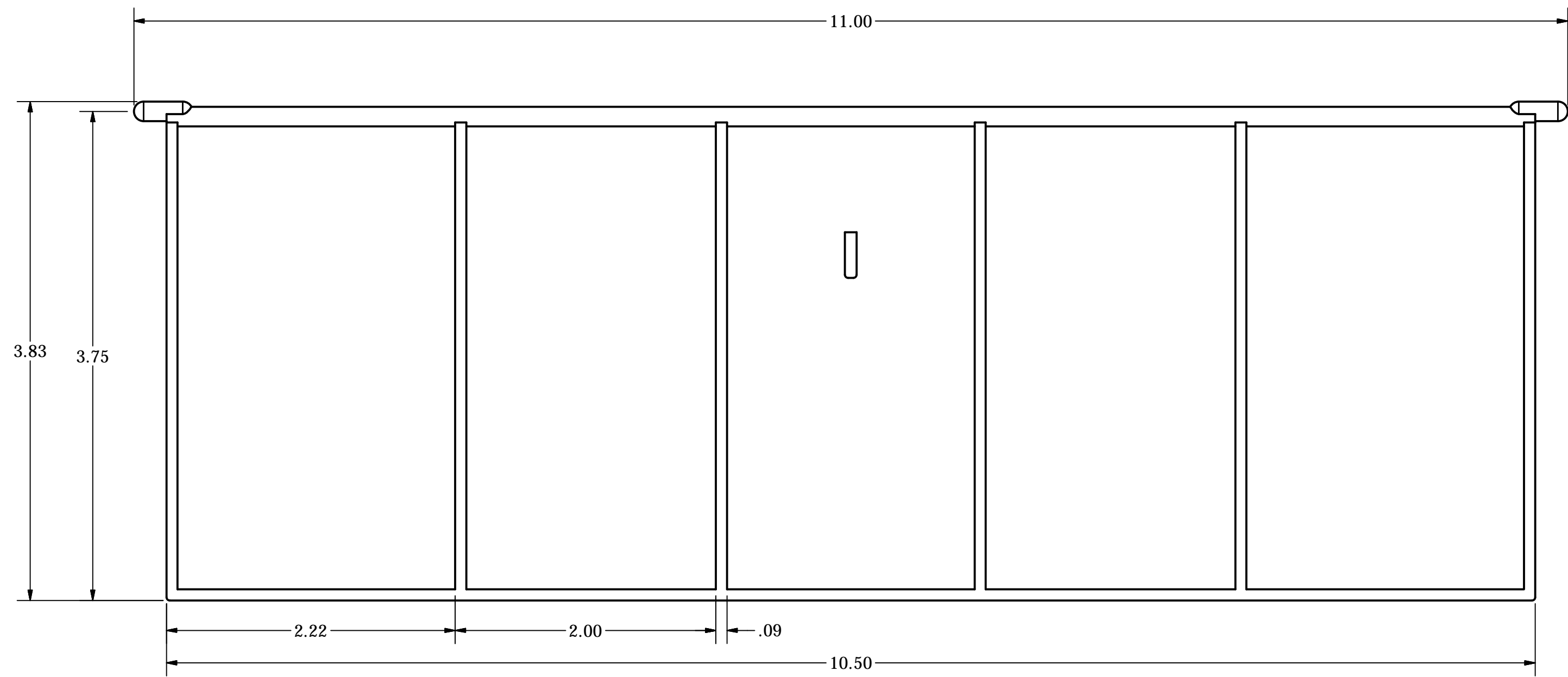
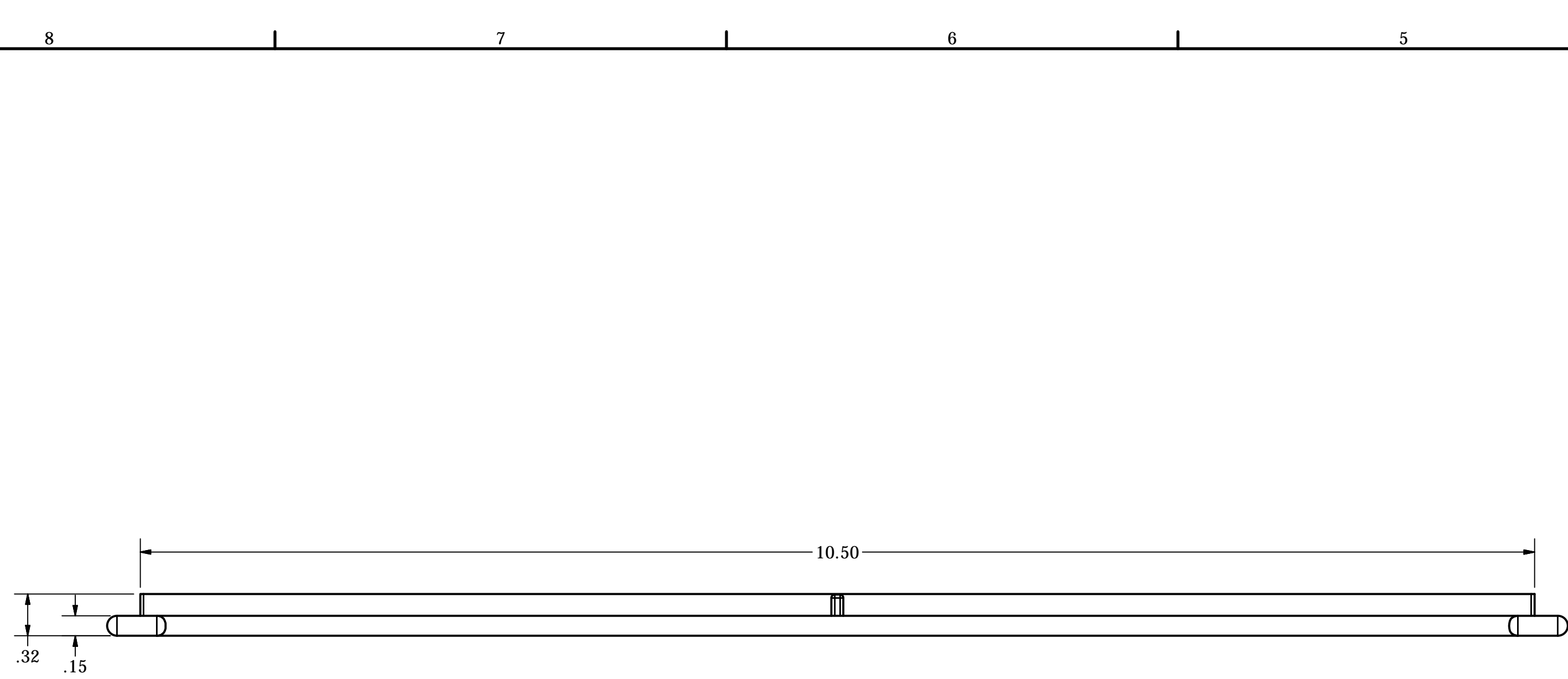
DRAWN J. VALENTI	1/4/2015	LAMBRO INDUSTRIES, INC.		
CHECKED		TITLE		
QA		SPRING VENT ASSEMBLY		
MFG		SIZE	DWG NO	REV
APPROVED		D	SPRING VENT	
		SCALE		SHEET 1 OF 1



SECTION A-A



DRAWN J.VALENTI	1/4/2015	LAMBRO INDUSTRIES, INC.		
CHECKED		TITLE		
QA		VENT FRAME		
MFG		SIZE	DWG NO	REV
APPROVED		D	SPRING VENT	
		SCALE	SHEET 1 OF 1	



DRAWN J.VALENTI	1/4/2015	LAMBRO INDUSTRIES, INC.	
CHECKED		TITLE	
QA		VENT EXHAUST FLAP	
MFG		SIZE	DWG NO
APPROVED		D	REV
		SCALE	SHEET 1 OF 1