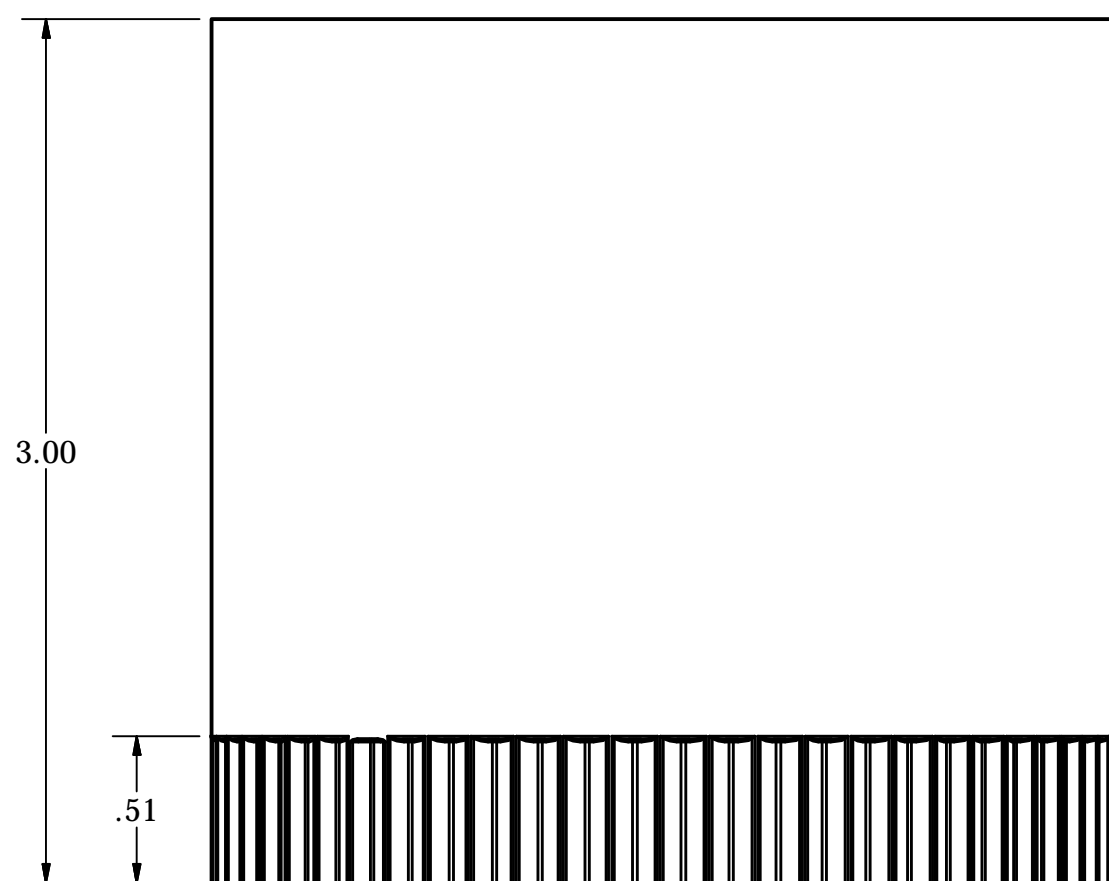
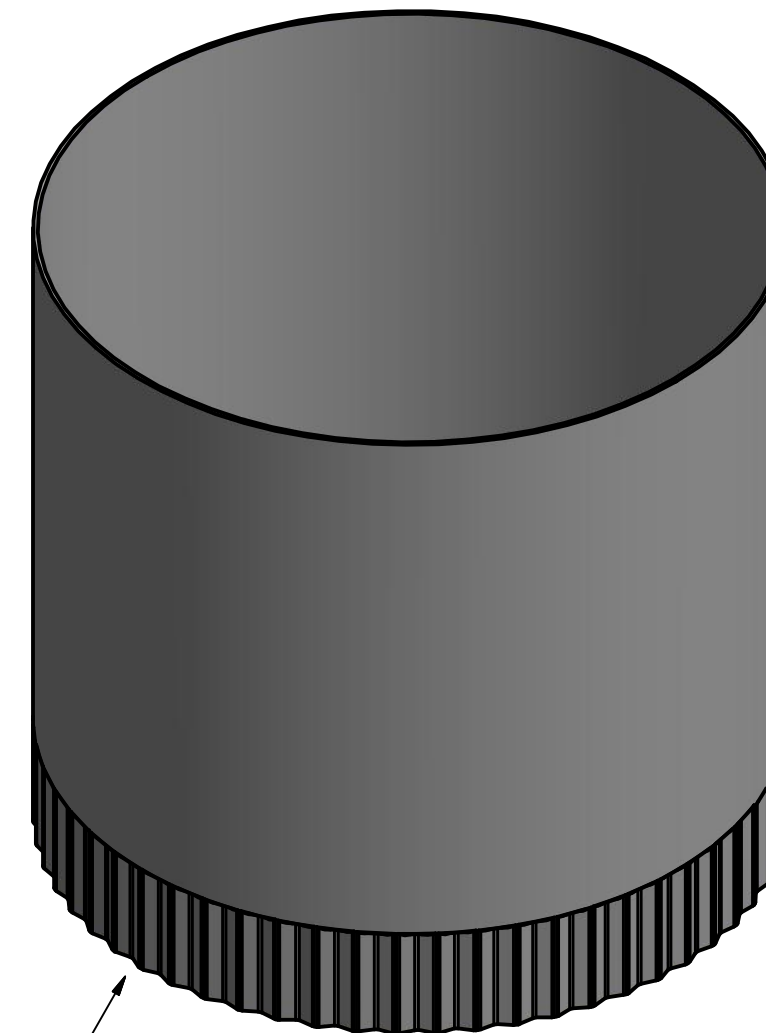
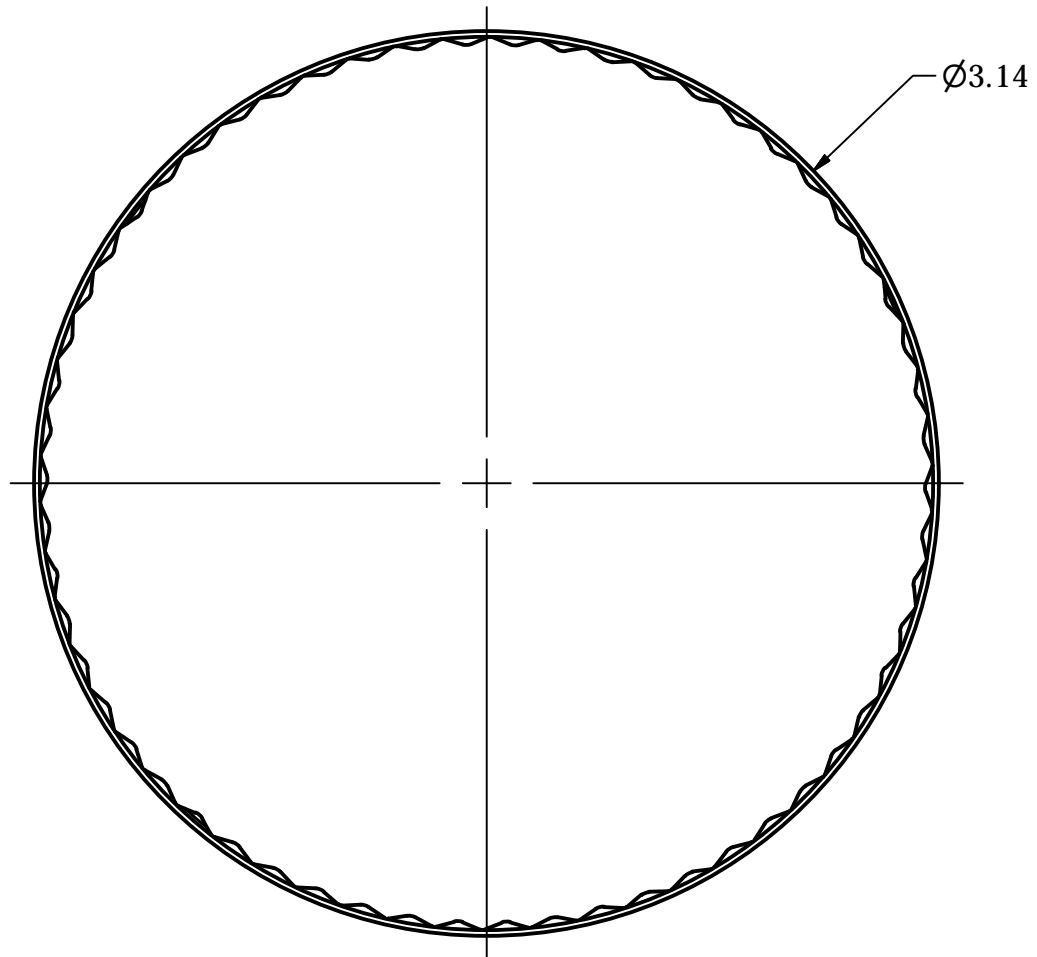


DRAWN J.Valenti	2/1/2015	LAMBRO INDUSTRIES, INC.		
CHECKED		TITLE		
QA		SMALL CYL VENT		
MFG		SIZE	DWG NO	REV
APPROVED		C	SMALL VENT ASSEMBLY	A
		SCALE	SHEET 1 OF 1	



DRAWN J. VALENTI	2/1/2015	LAMBRO INDUSTRIES, INC.		
CHECKED		TITLE		
QA		SMALL VENT TUBE		
MFG		SIZE	DWG NO	REV
APPROVED		C	SMALL CYL VENT TUBE	A
		SCALE	SHEET 1 OF 1	

4

3

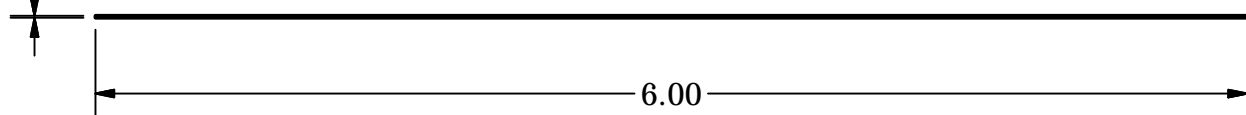
2

1

D

D

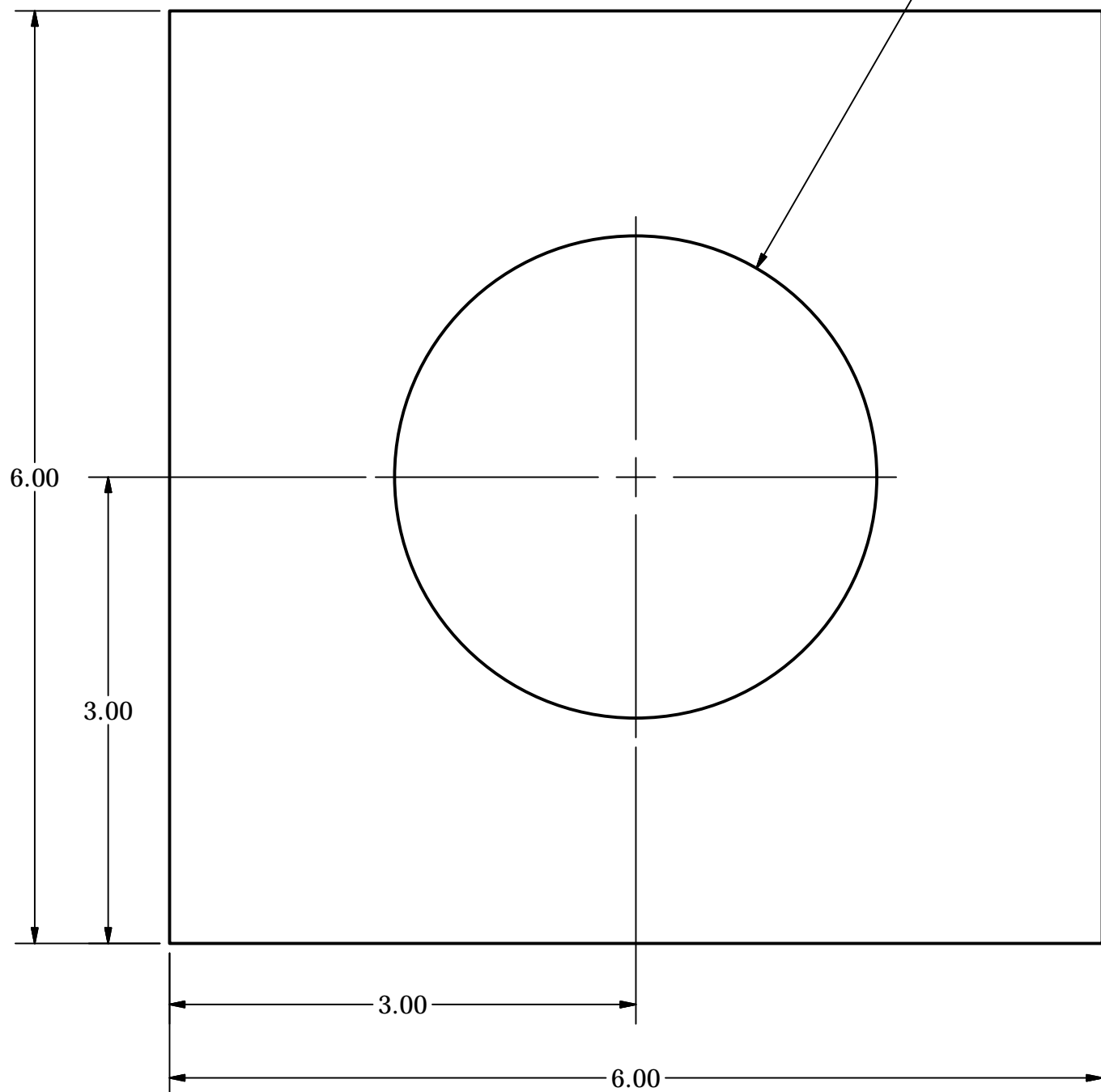
.01 THK.



C

C

Ø3.10 THRU

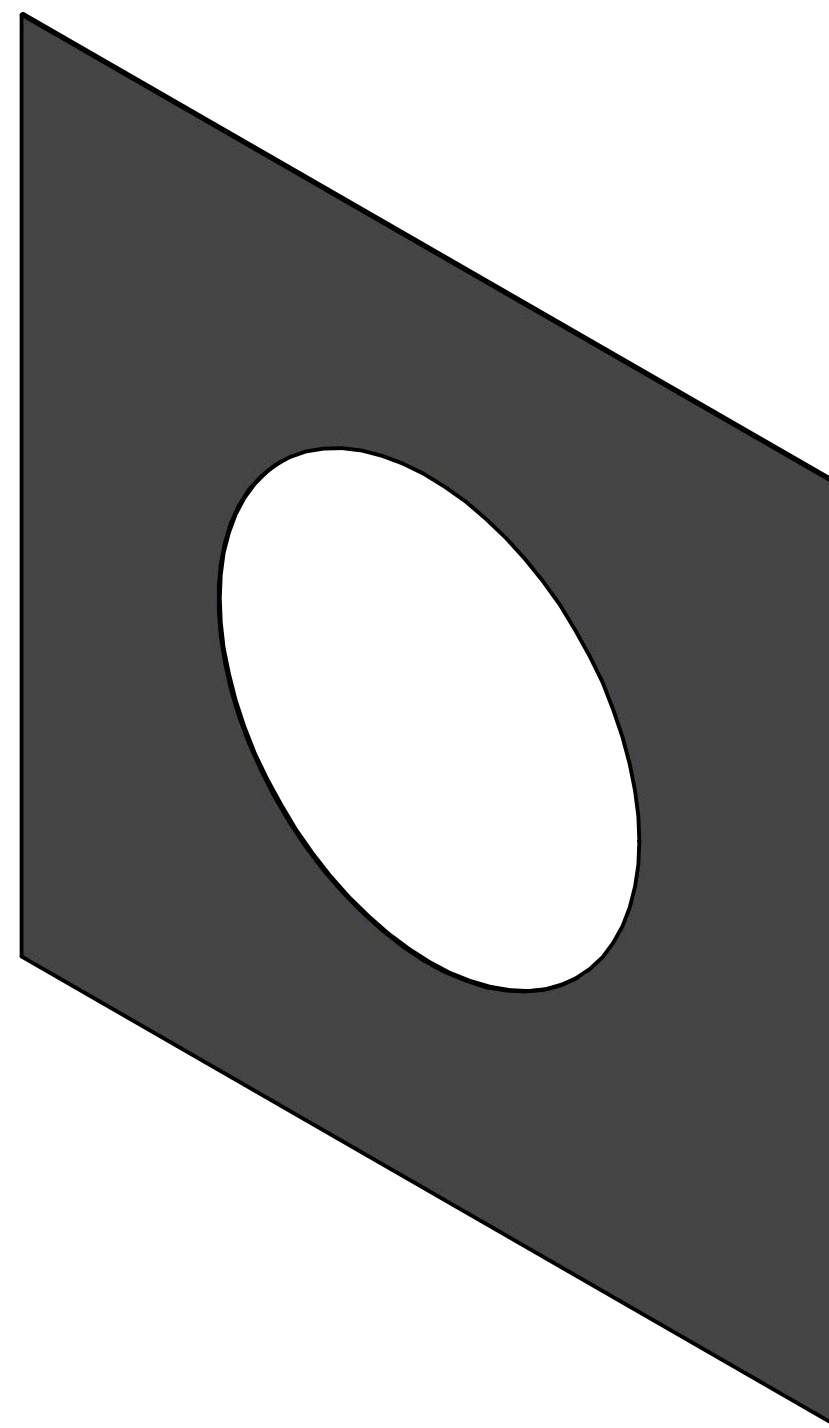


B

B

A

A



DRAWN J.Valenti	2/1/2015	LAMBRO INDUSTRIES, INC.		
CHECKED		TITLE		
QA		SMALL VENT BASE		
MFG		SIZE	DWG NO	REV
APPROVED		C	SMALL CYL VENT BASE	A
		SCALE	SHEET 1 OF 1	

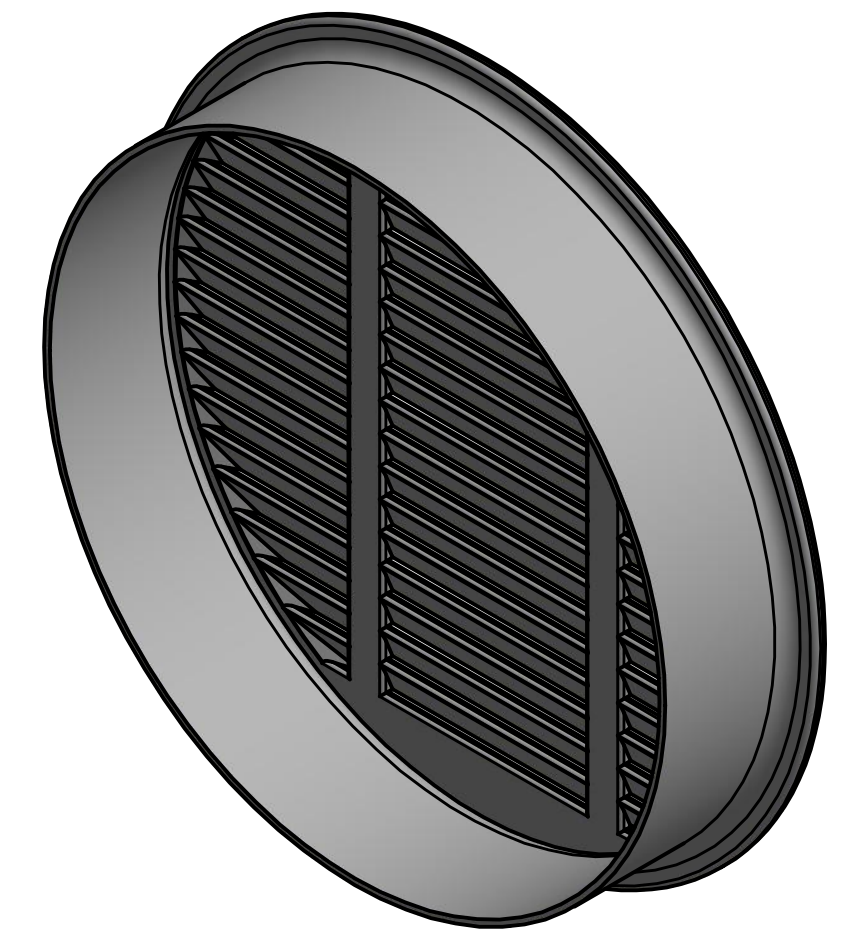
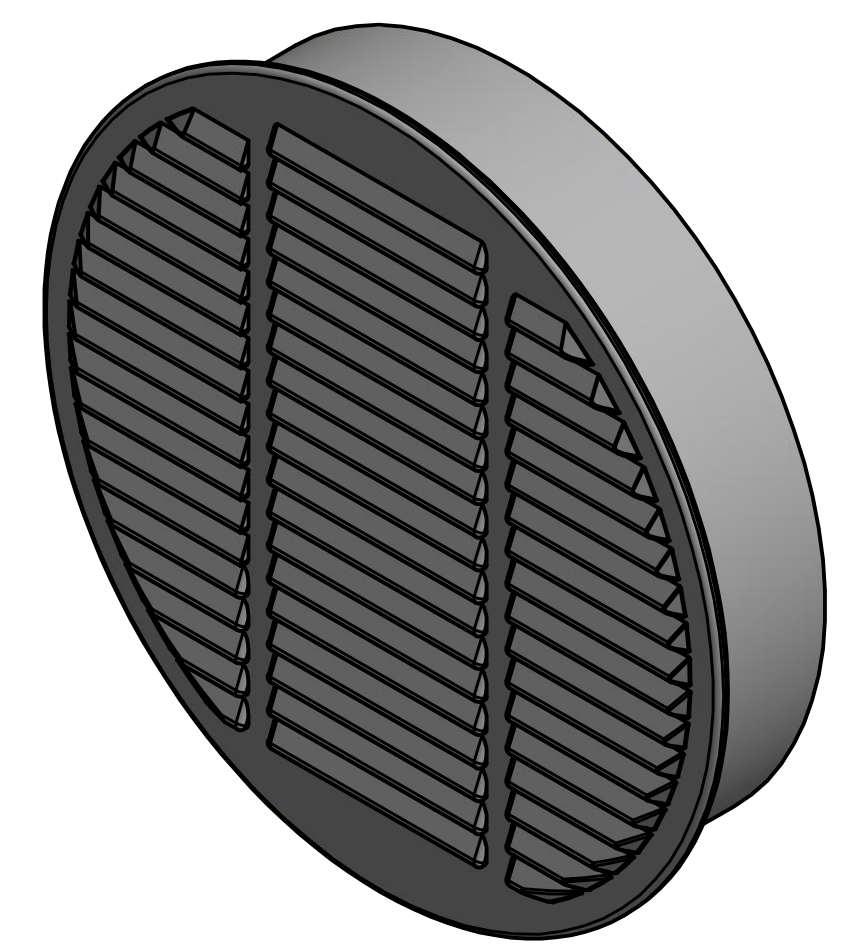
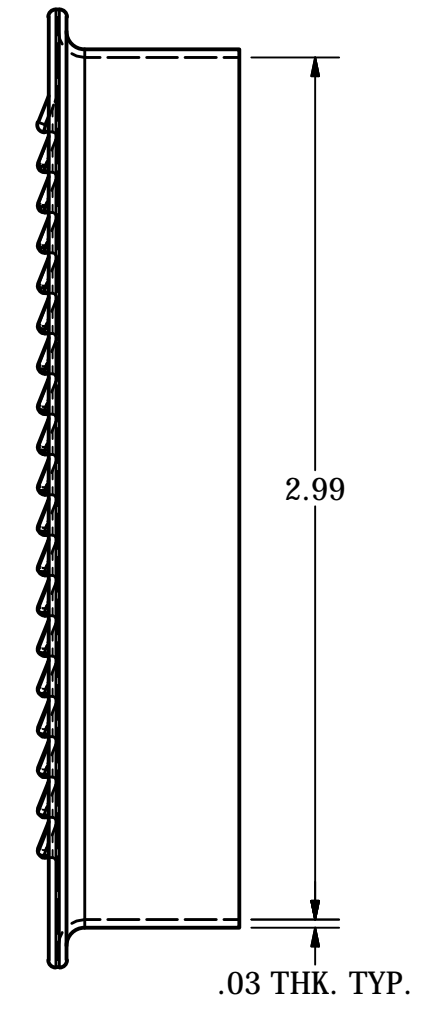
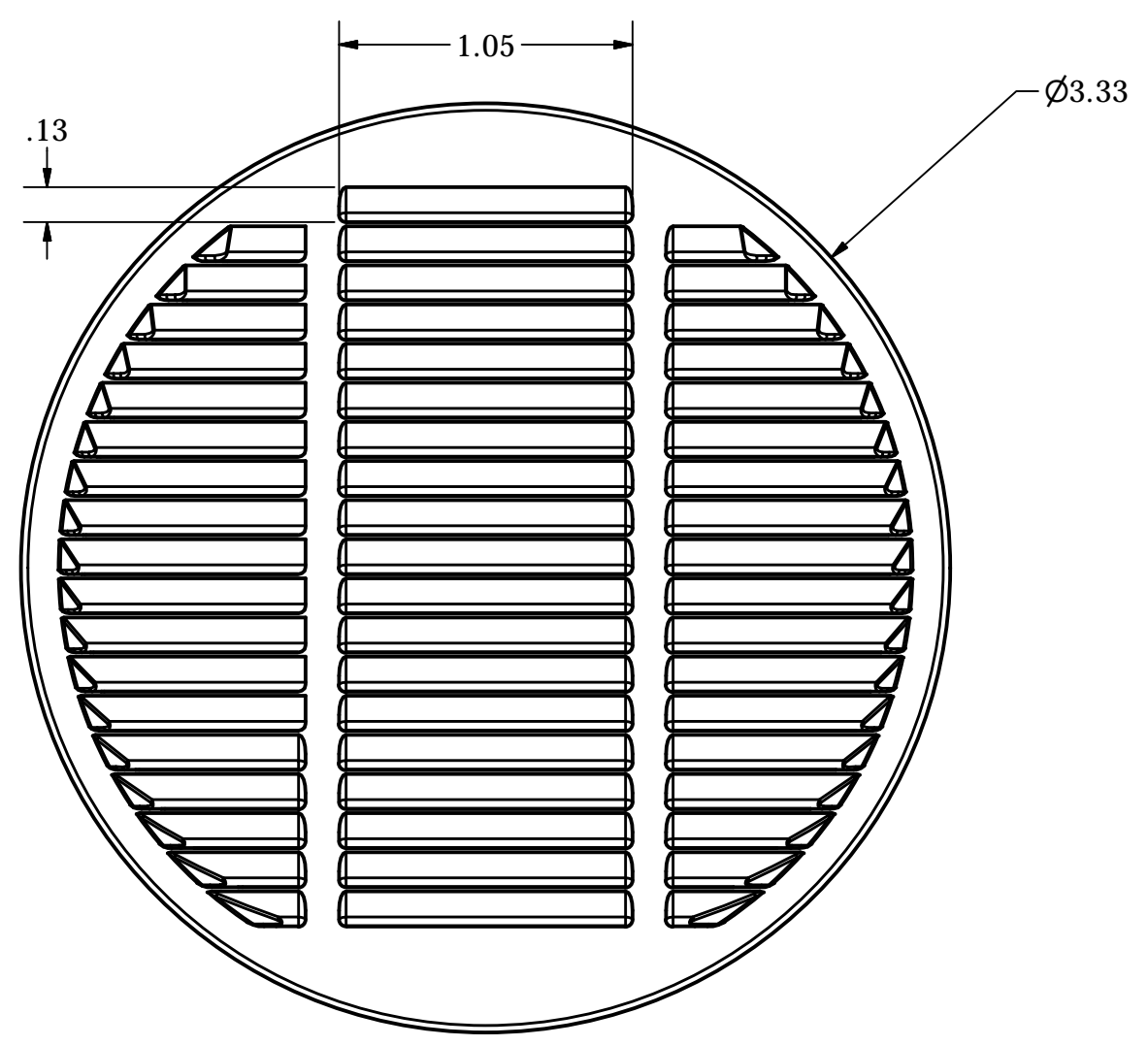
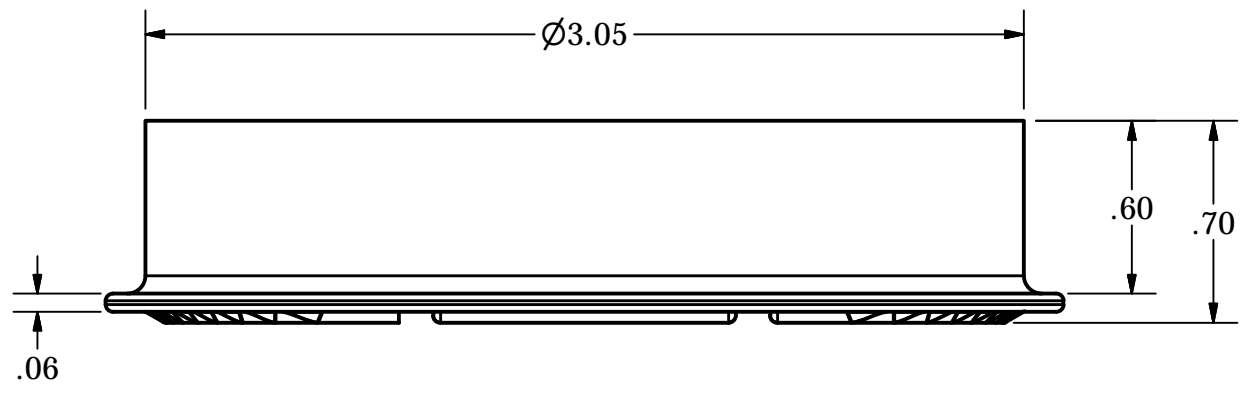
4

3

2

1





DRAWN J.Valenti	2/1/2015	LAMBRO INDUSTRIES, INC.		
CHECKED		TITLE		
QA		SMALL VENT CAP		
MFG		SIZE	DWG NO	REV
APPROVED		C	SMALL CYL VENT	A
		SCALE	SHEET 1 OF 1	