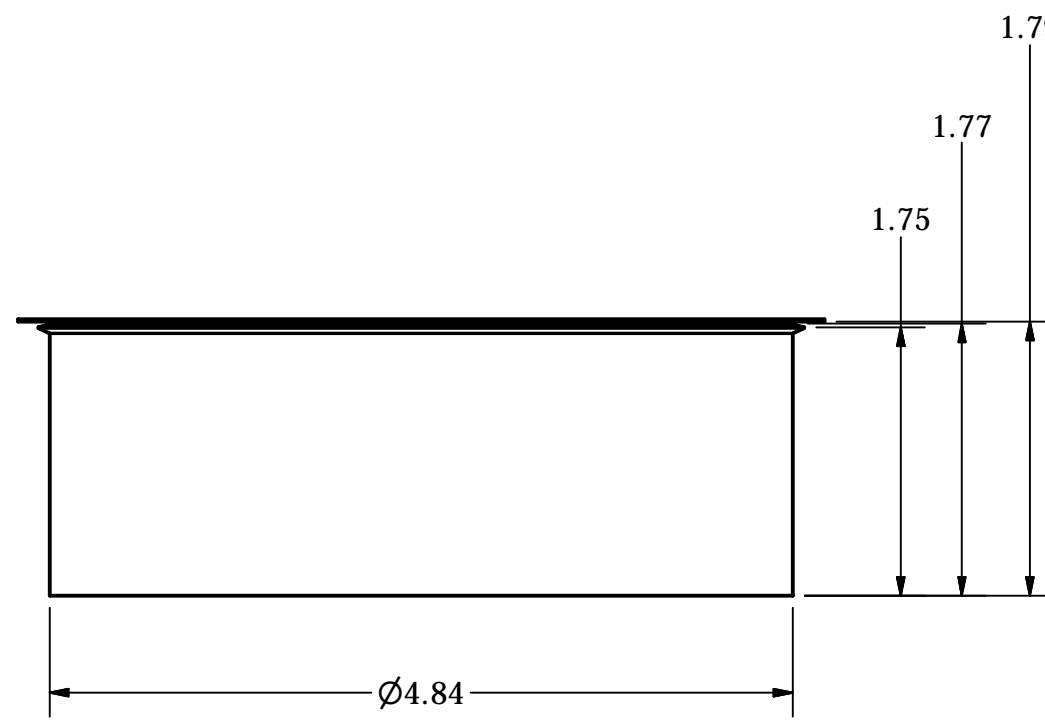
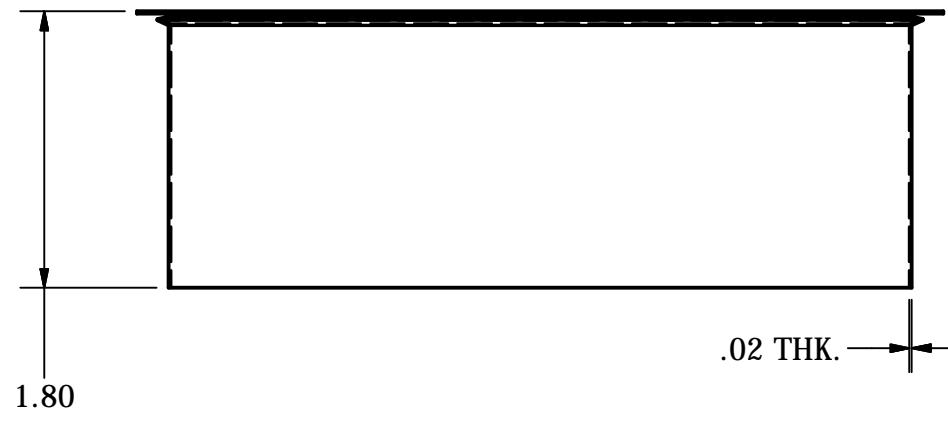
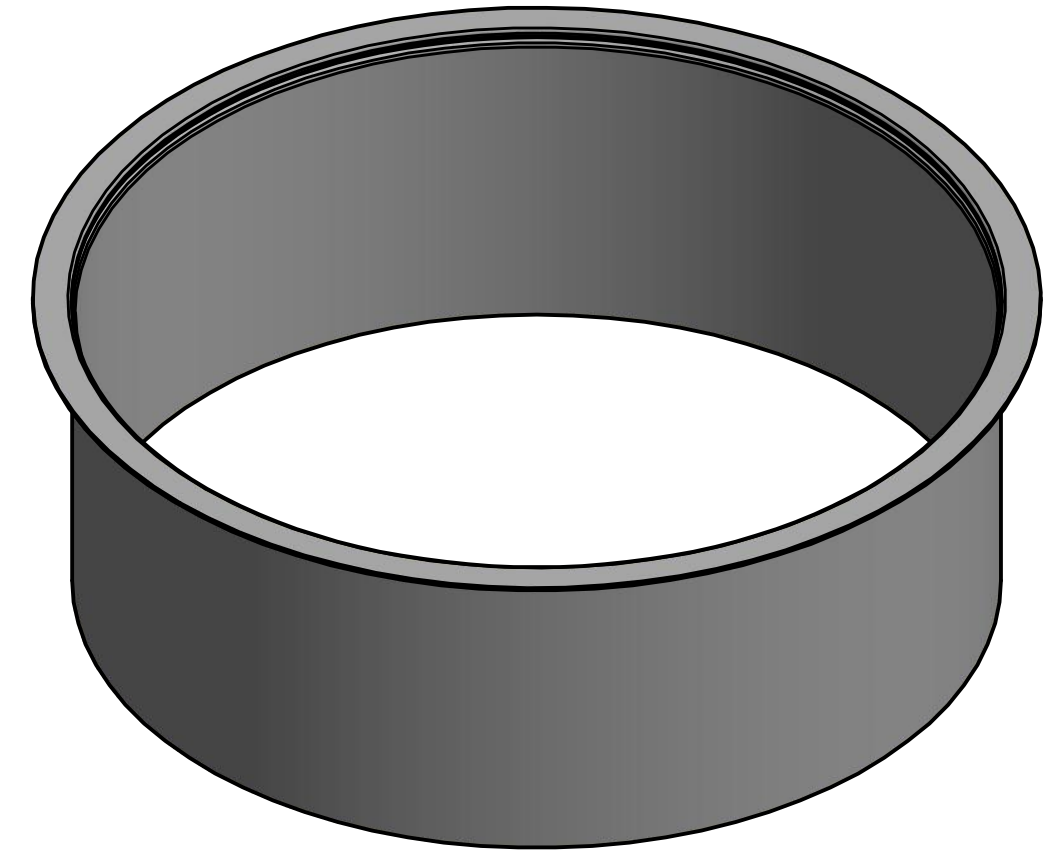
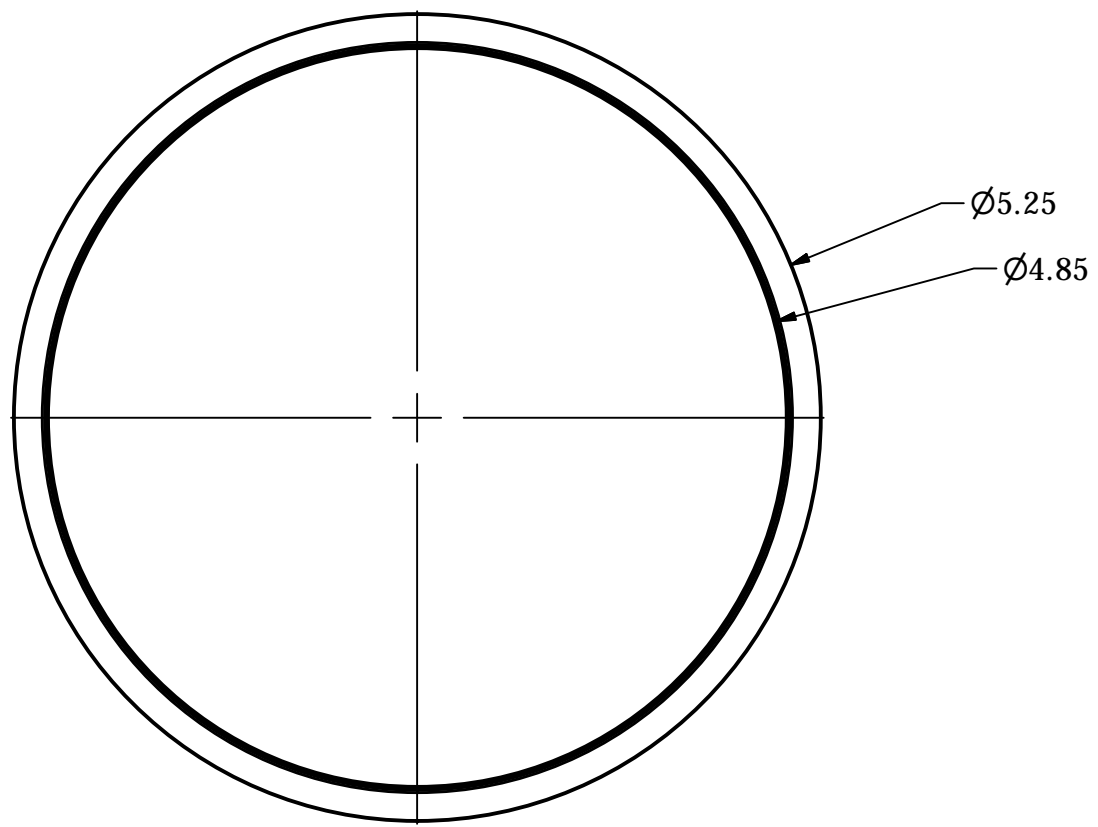


MATERIAL: 24-GAUGE ALUMINUM

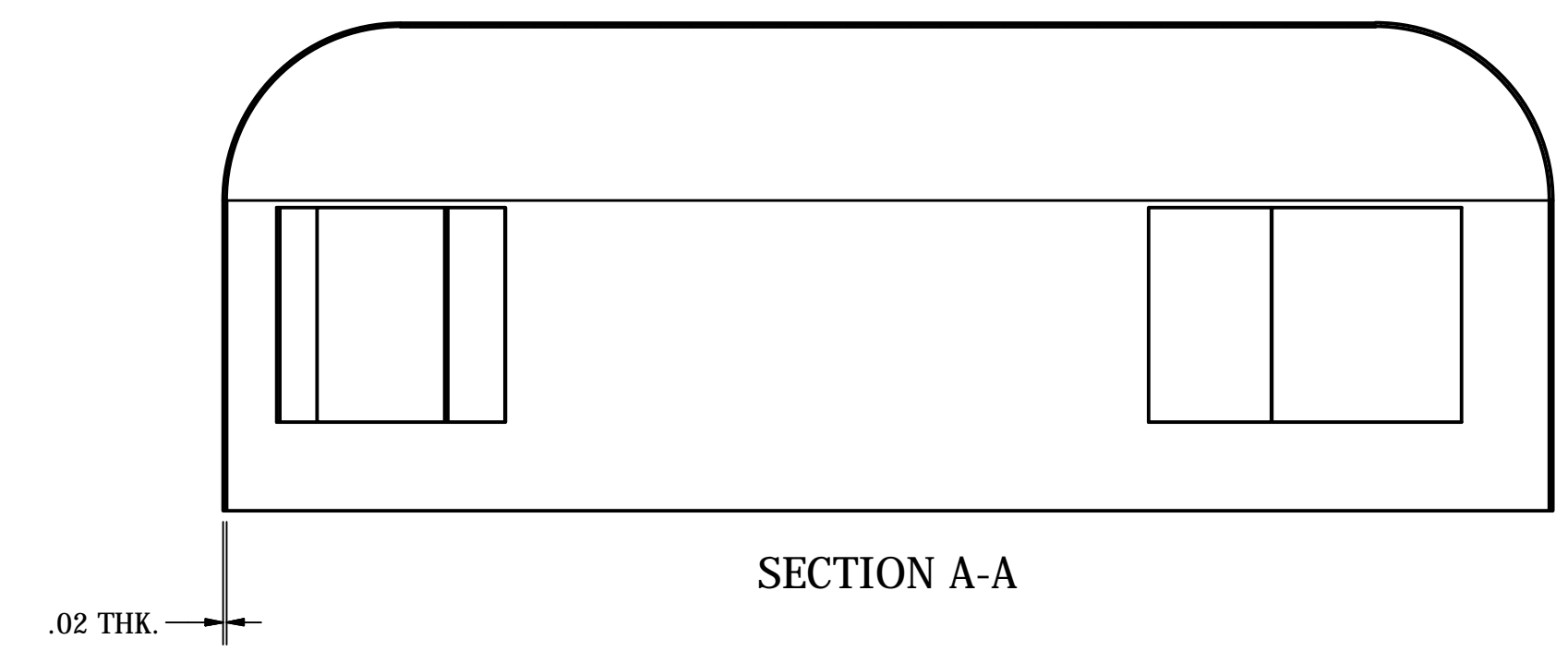
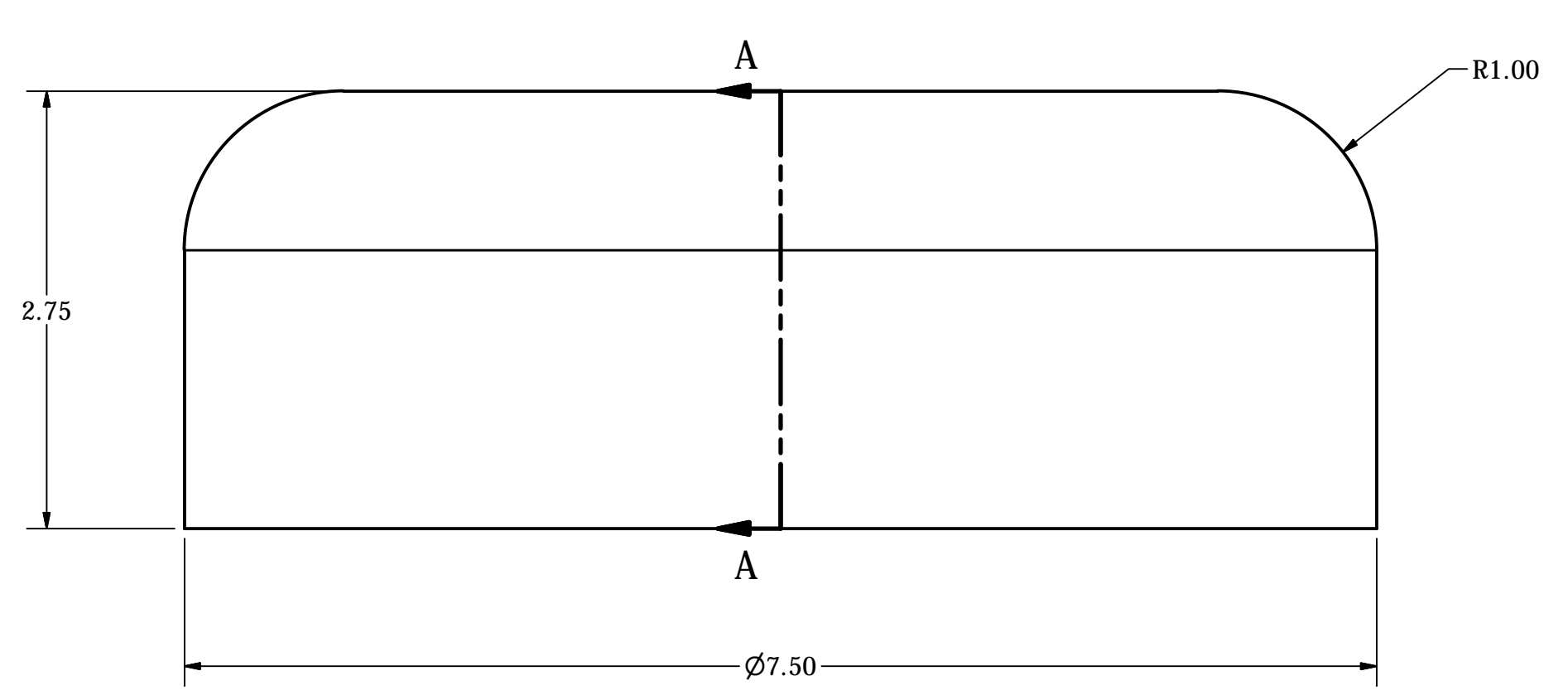
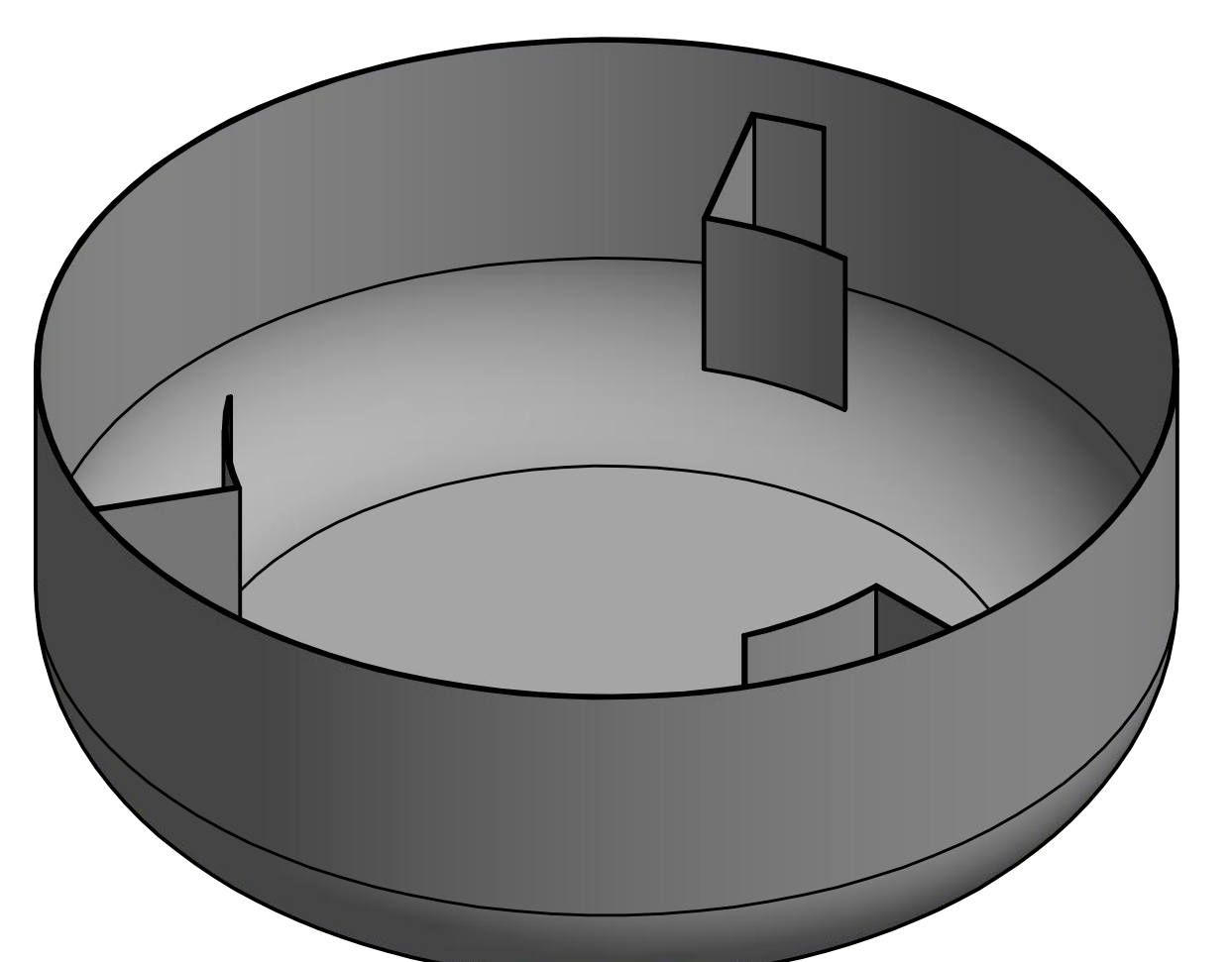
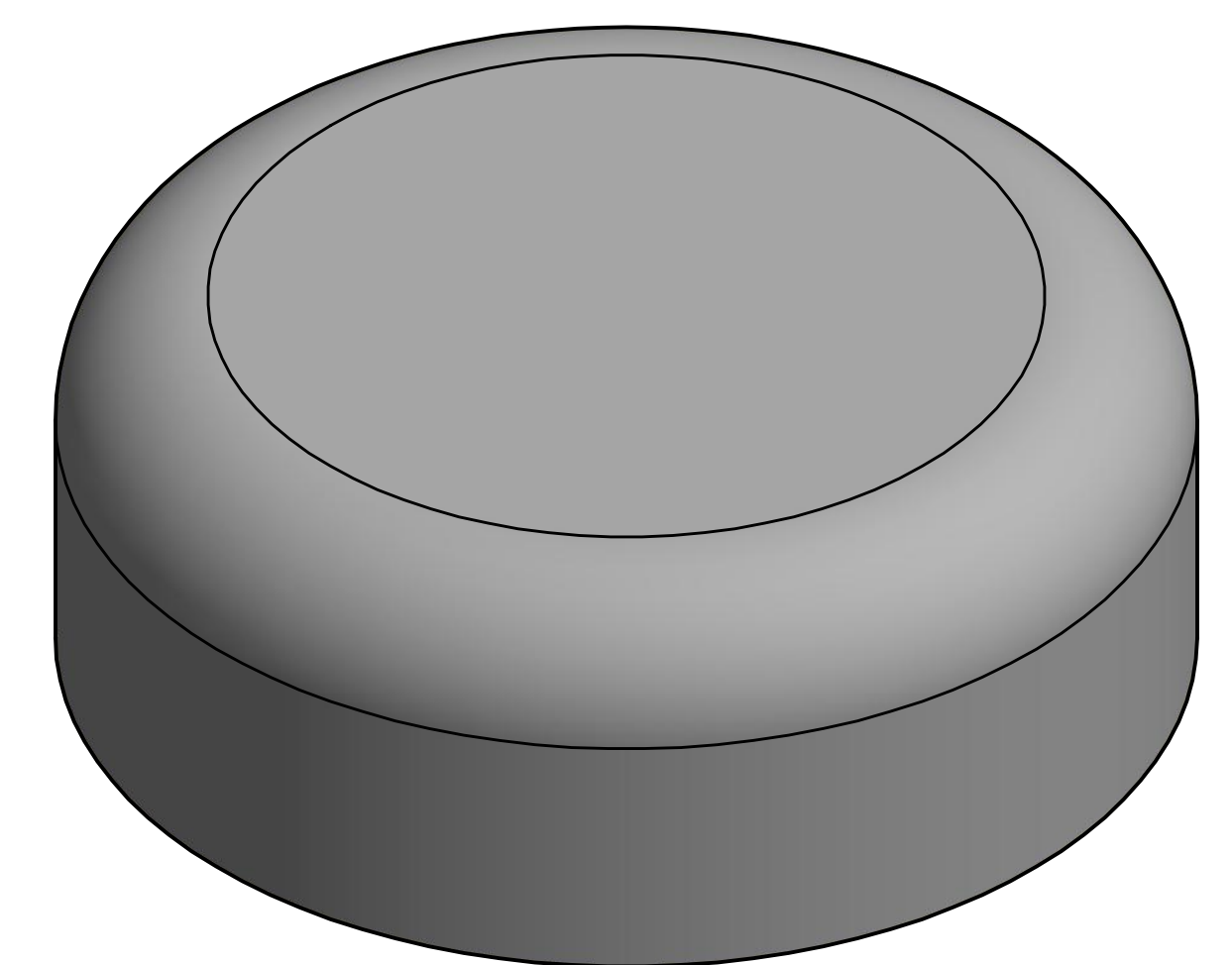
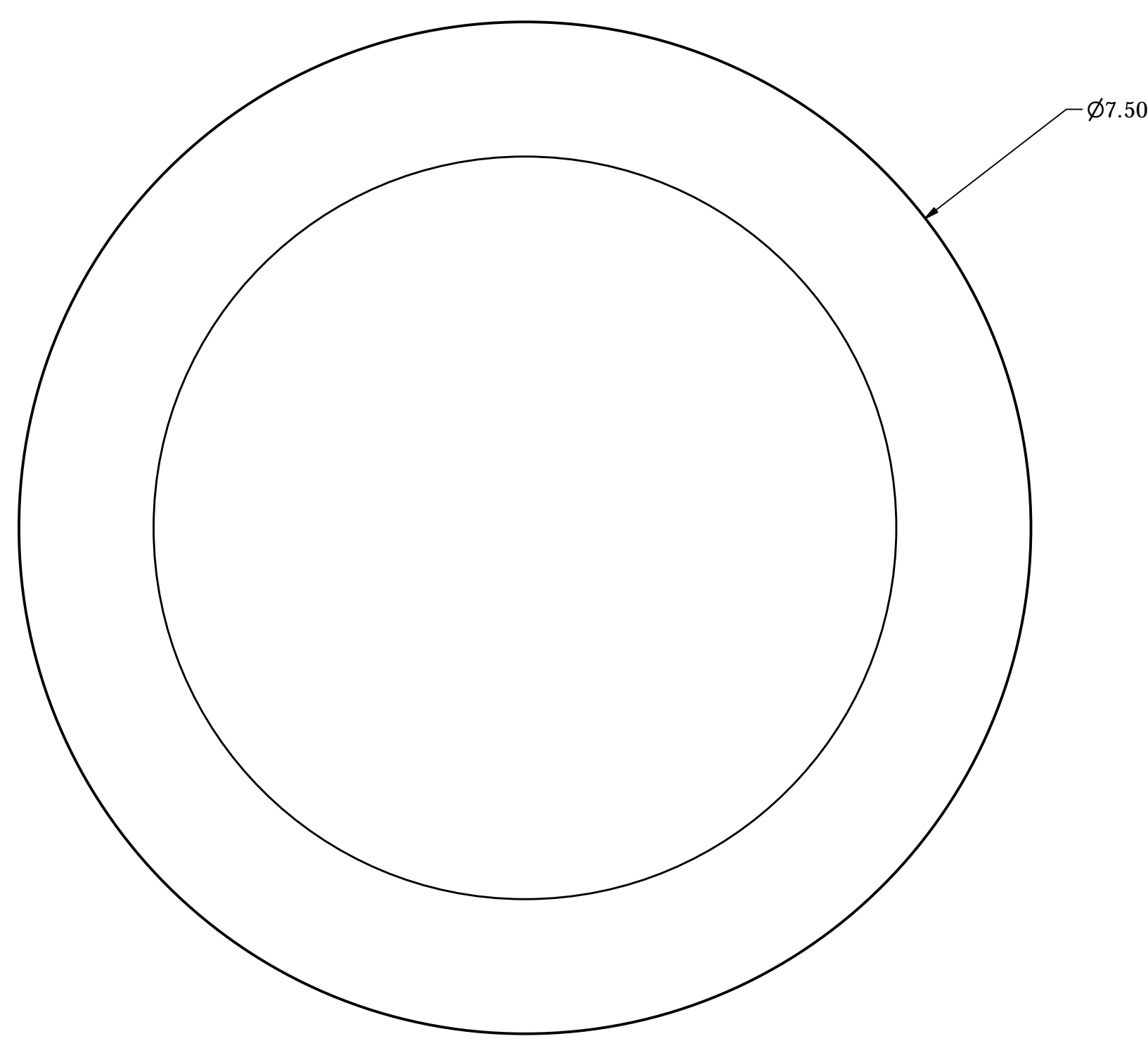


DRAWN J.VALENTI	4/12/2015	LAMBRO INDUSTRIES, INC.		
CHECKED		TITLE		
QA		LARGE CYL. SCREEN VENT ASSEMBLY		
MFG		SIZE D	DWG NO	REV A
APPROVED		SCALE	SHEET 1 OF 1	



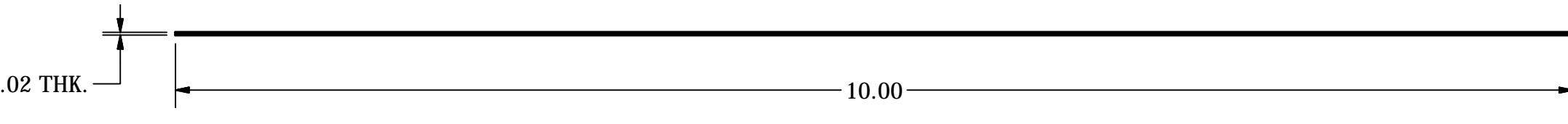
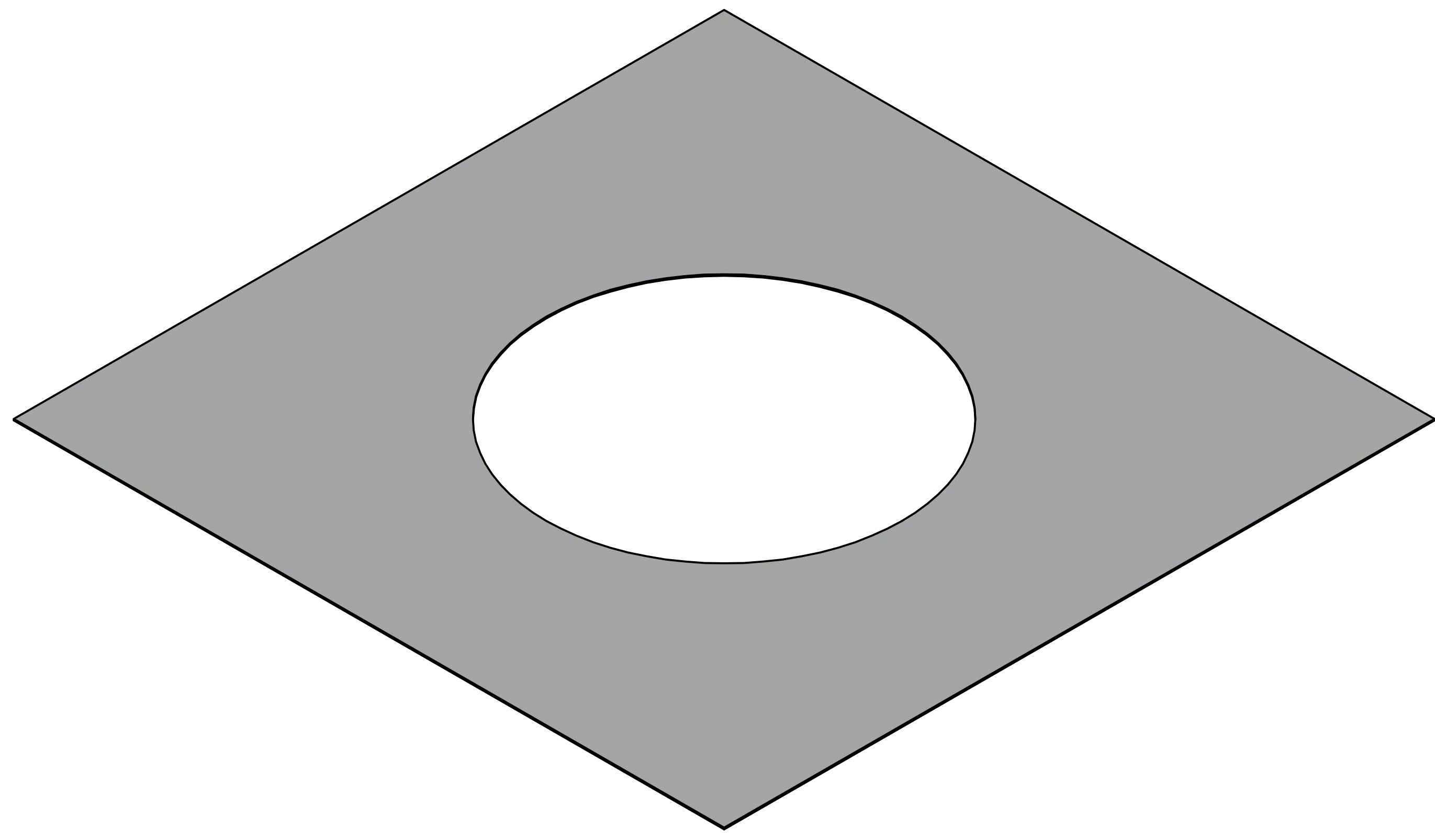
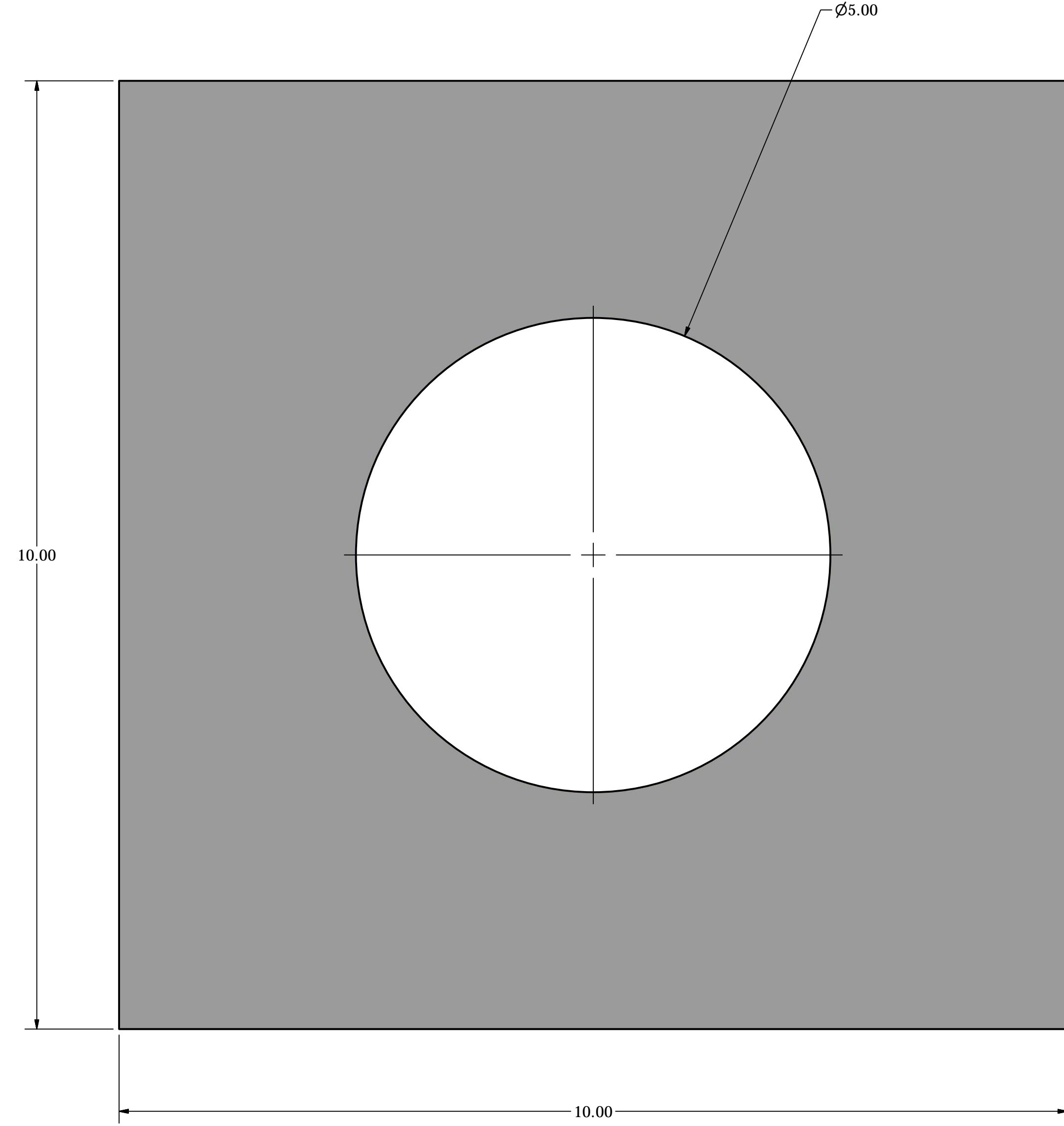
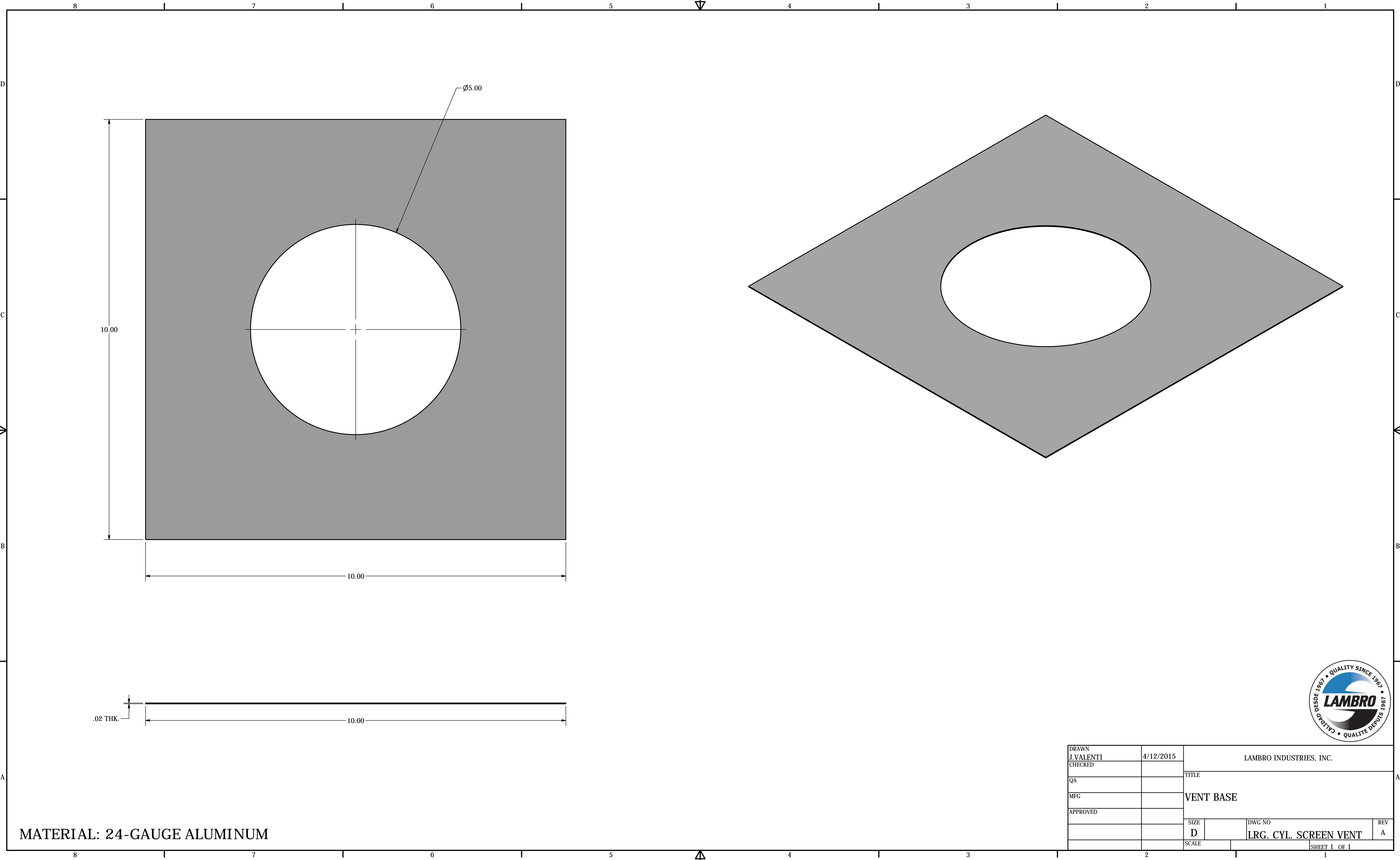
MATERIAL: 24-GAUGE ALUMINUM

DRAWN J. VALENTI	4/12/2015	LAMBRO INDUSTRIES, INC.		
CHECKED		TITLE		
QA		TUBE		
MFG		SIZE	DWG NO	REV
APPROVED		C	LRG. CYL. SCREEN VENT	
		SCALE	SHEET 1 OF 1	



MATERIAL: 24-GAUGE ALUMINUM

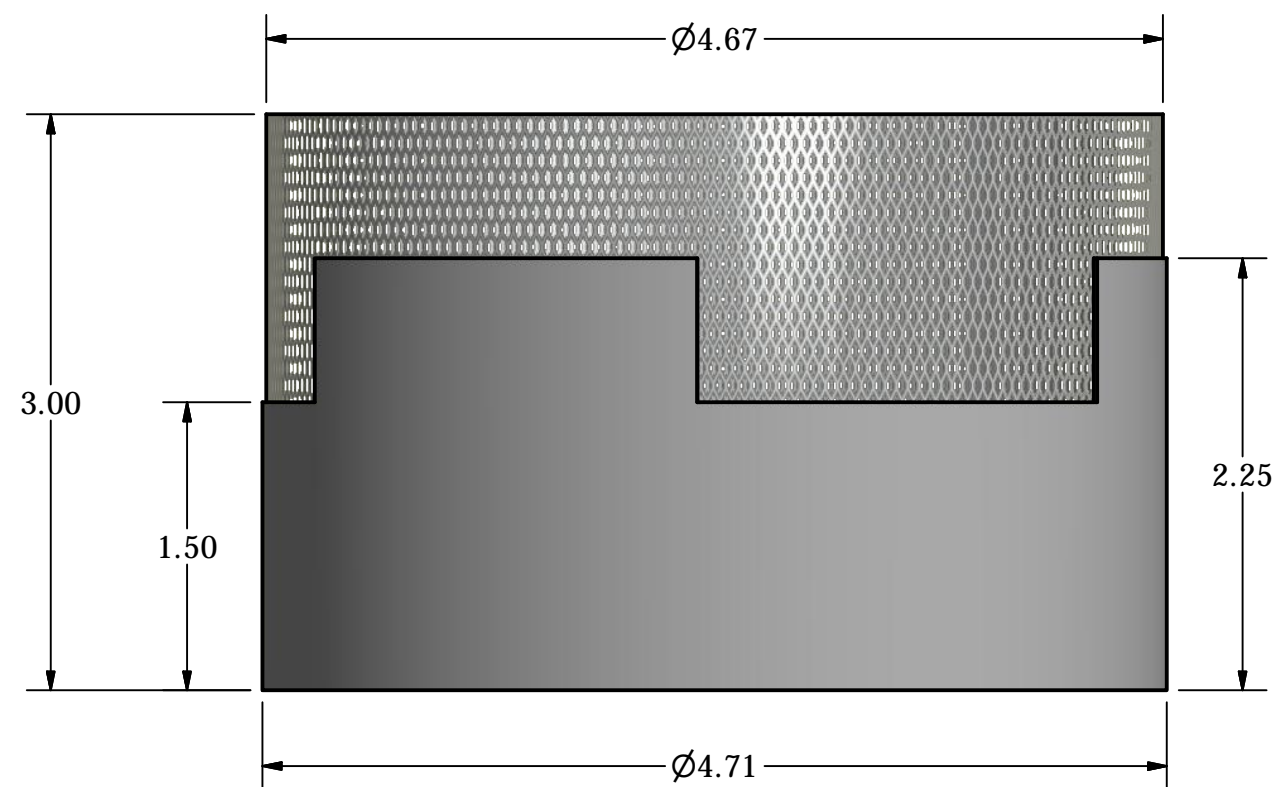
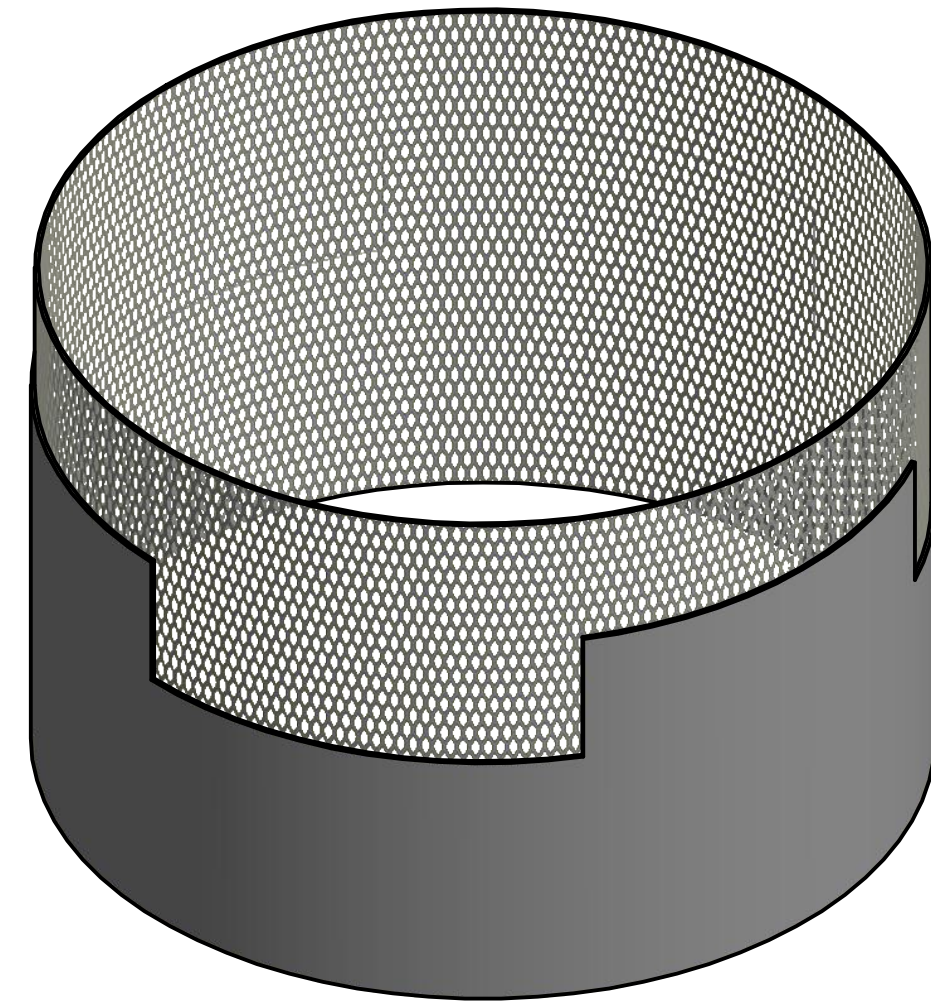
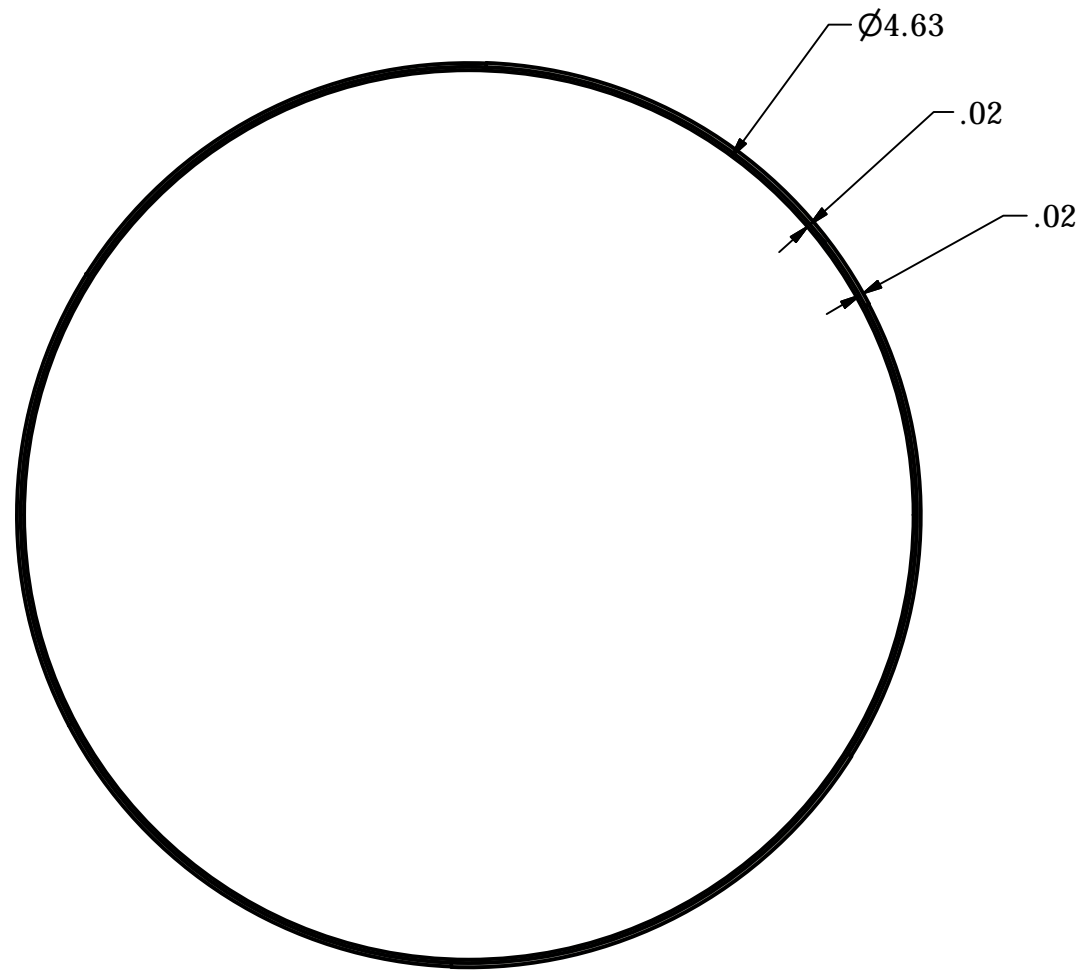
DRAWN	J.VALENTI	4/12/2015	LAMBRO INDUSTRIES, INC.		
CHECKED			TITLE		
QA			VENT CAP		
MFG			SIZE	DWG NO	REV
APPROVED			D	LRG. CYL. SCREEN VENT	A
			SCALE	SHEET 1 OF 1	



MATERIAL: 24-GAUGE ALUMINUM

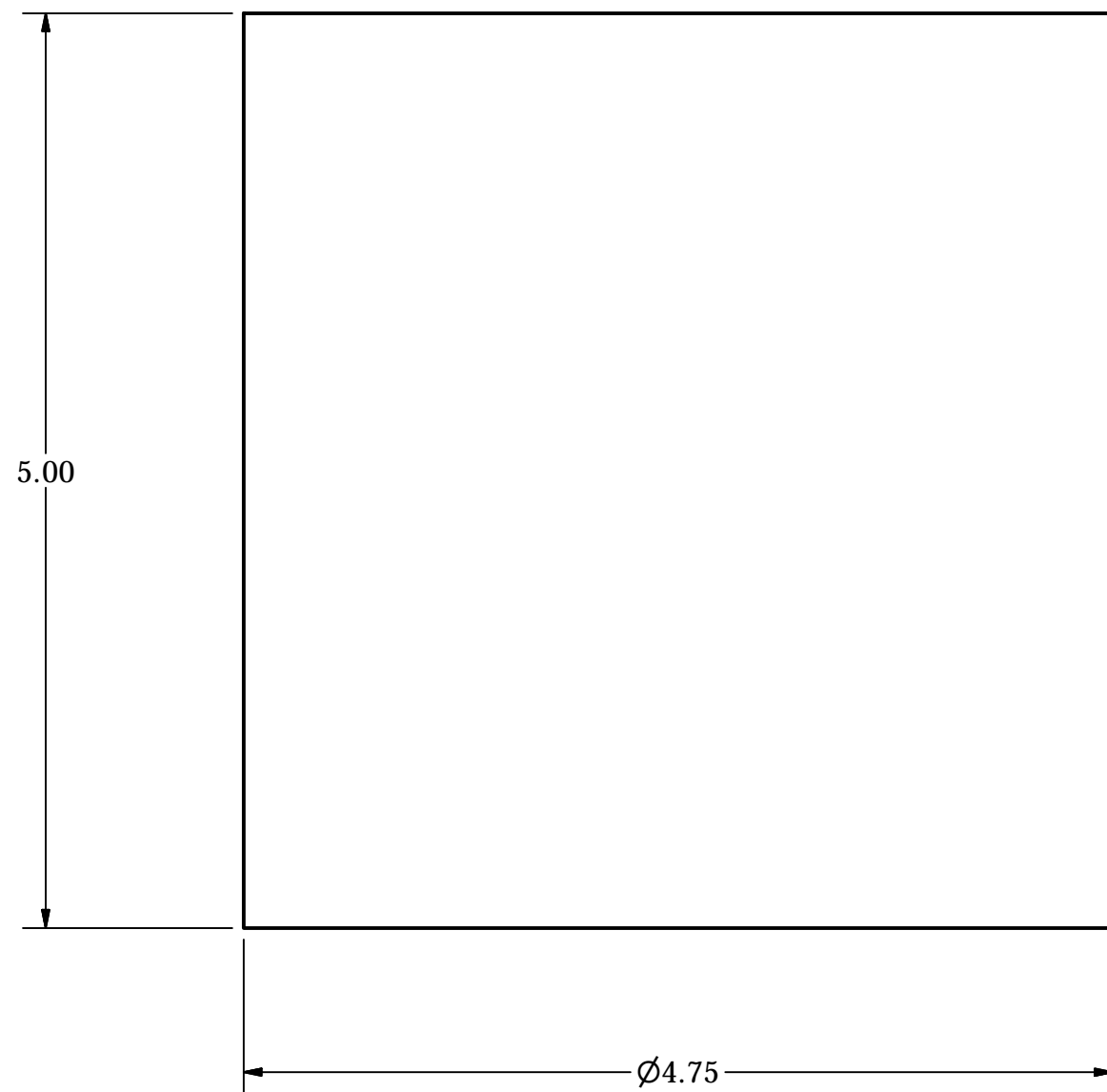
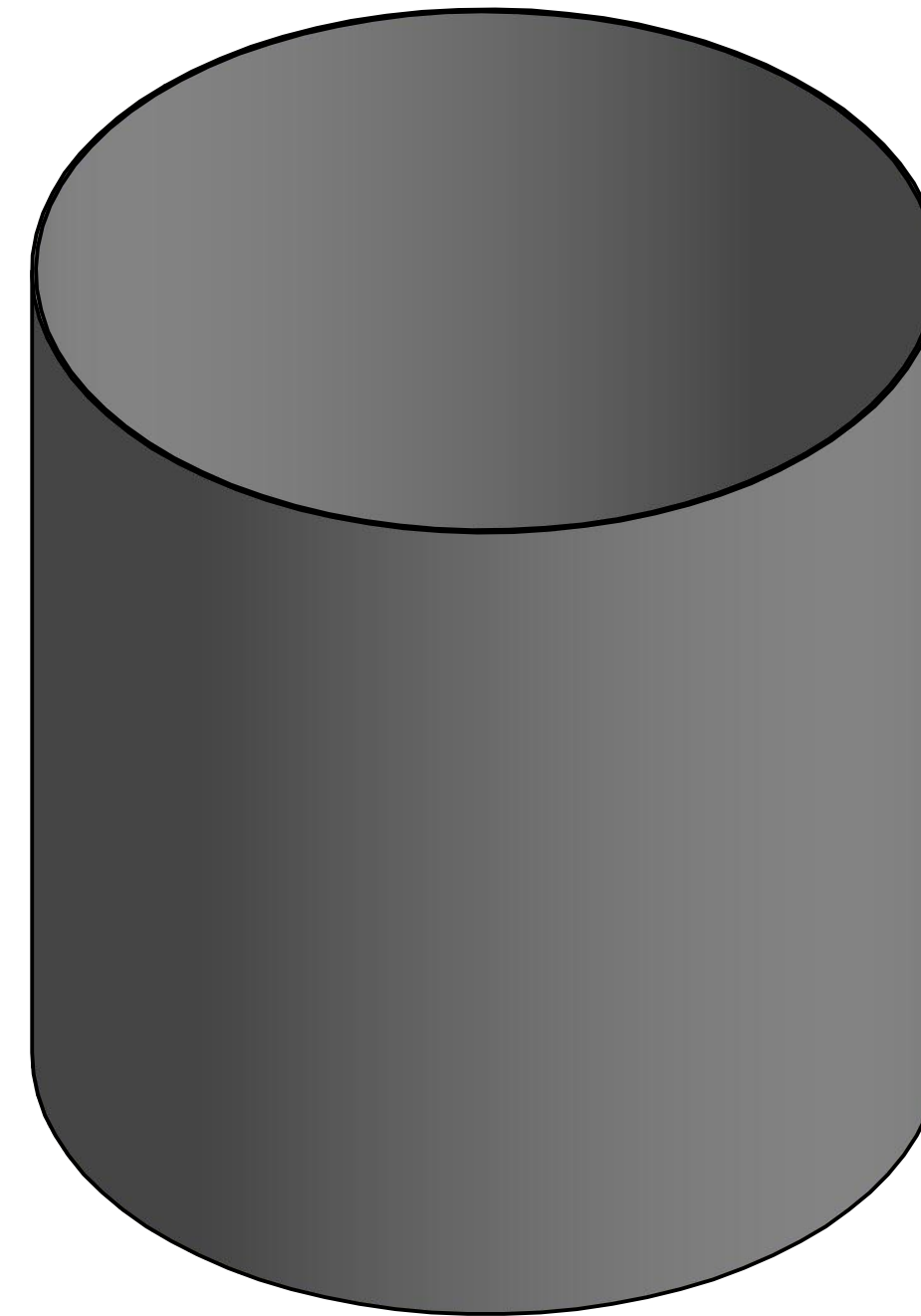
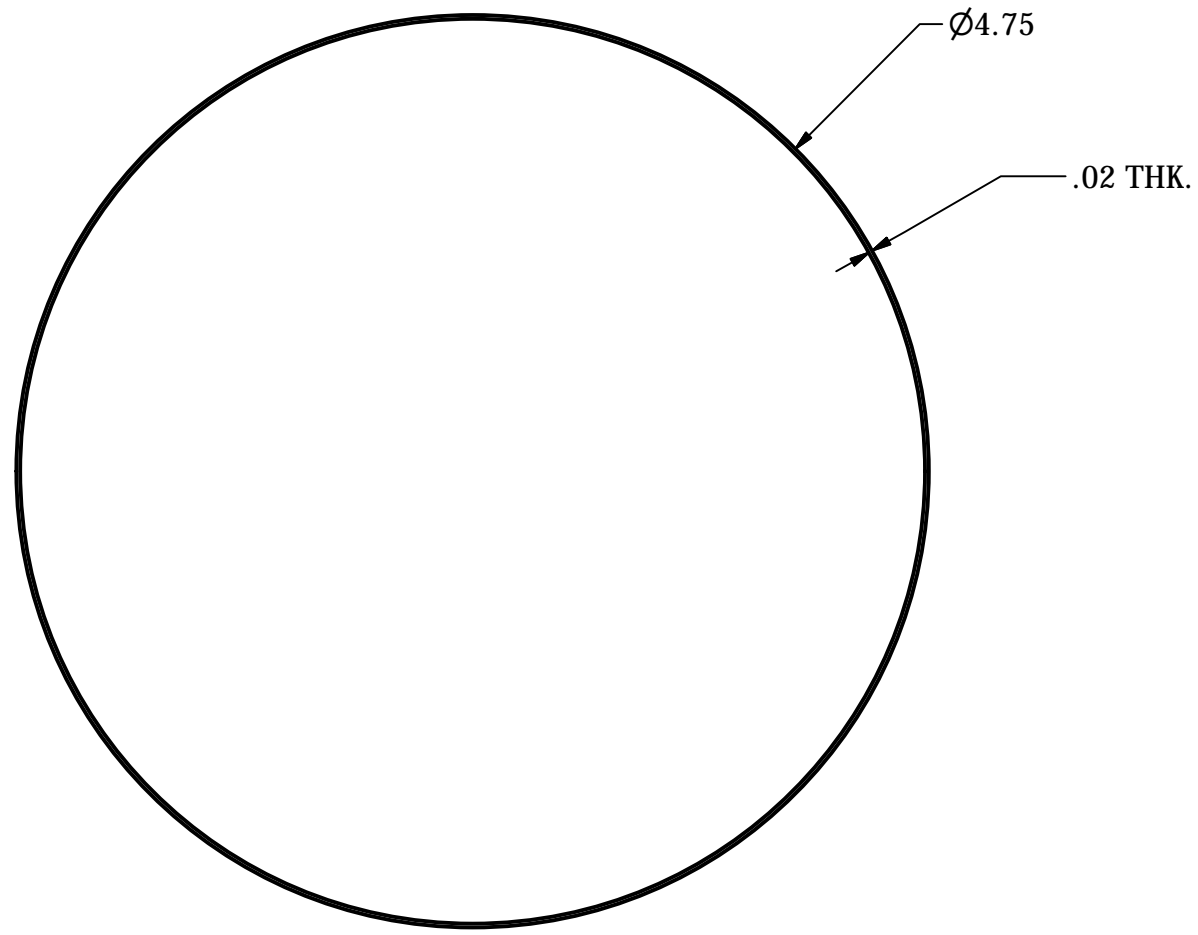


DRAWN	J.VALENTI	4/12/2015	LAMBRO INDUSTRIES, INC.		
CHECKED			TITLE		
QA			VENT BASE		
MFG			SIZE	DWG NO	REV
APPROVED			D	LRG. CYL. SCREEN VENT	A
			SCALE	SHEET 1 OF 1	



MATERIAL: 24-GAUGE ALUMINUM

DRAWN J. VALENTI	4/12/2015	LAMBRO INDUSTRIES, INC.		
CHECKED		TITLE		
QA		INNER GRILLE		
MFG		SIZE	DWG NO	REV
APPROVED		C	LRG. CYL. SCREEN VENT	A
		SCALE	SHEET 1 OF 1	



MATERIAL: 24-GAUGE ALUMINUM



DRAWN J. VALENTI	4/12/2015	LAMBRO INDUSTRIES, INC.		
CHECKED		TITLE		
QA		SUPPORT TUBE		
MFG		SIZE	DWG NO	REV
APPROVED		C	LRG. CYL. SCREEN VENT	A
		SCALE	SHEET 1 OF 1	