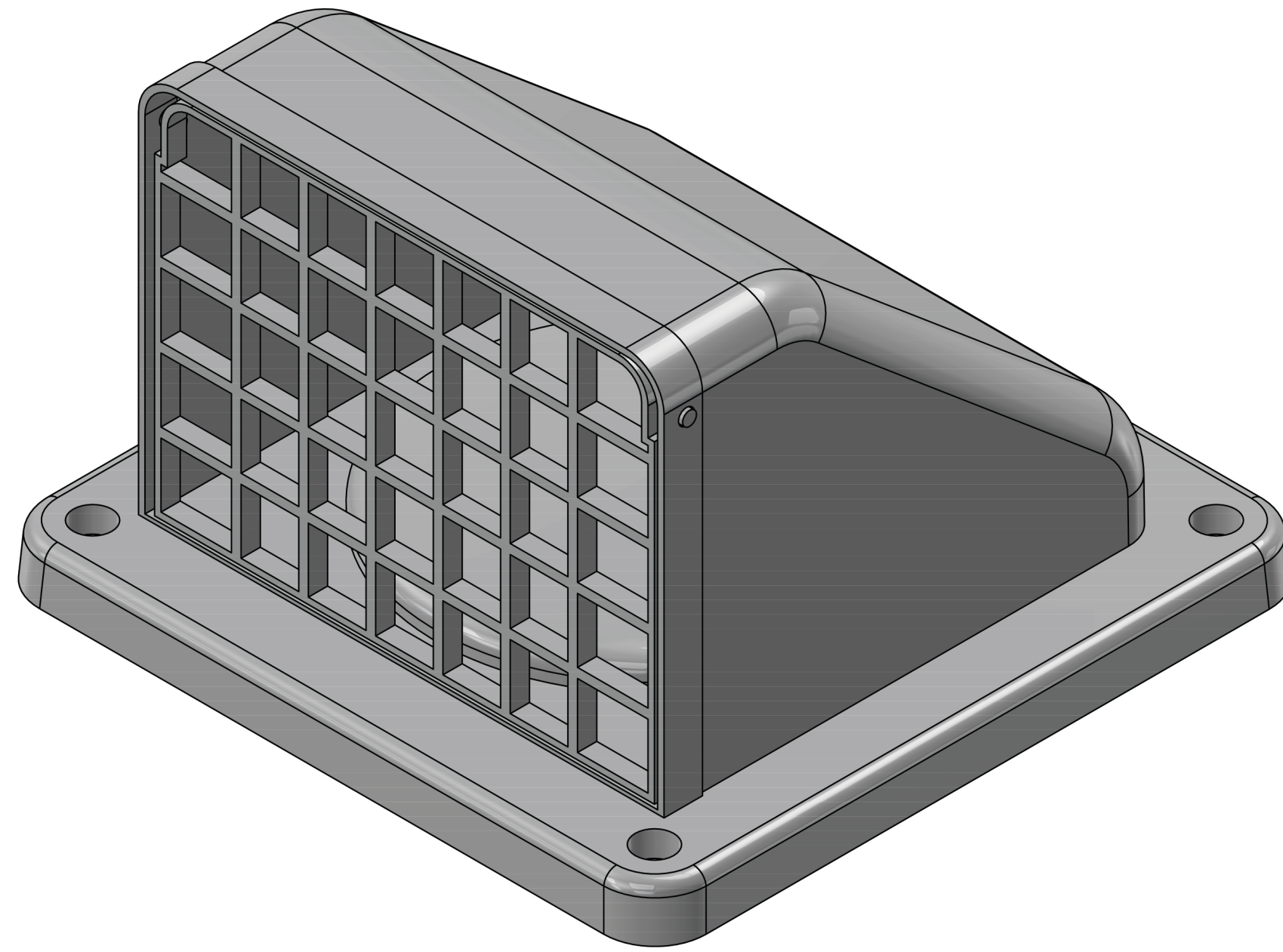
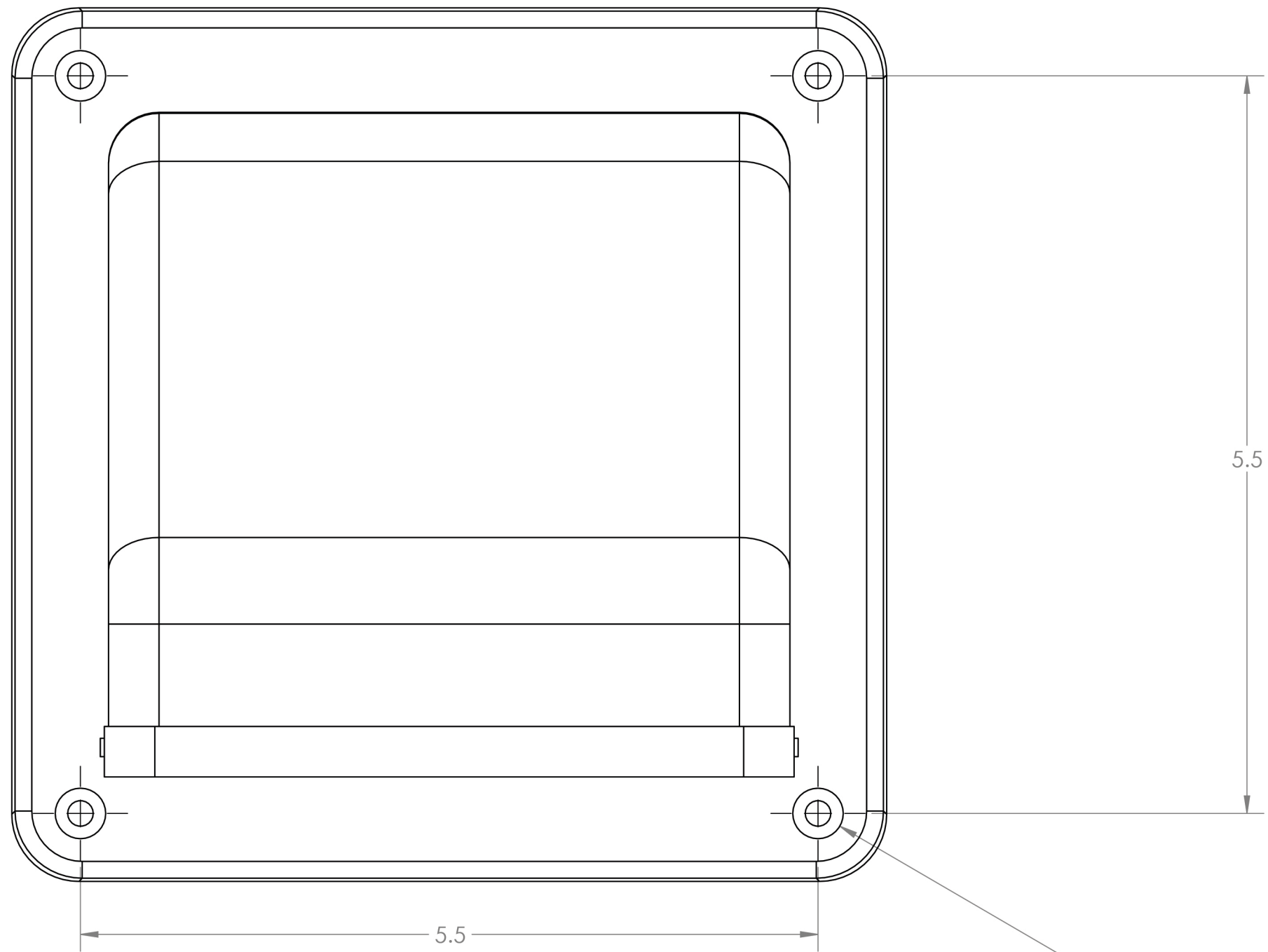


4

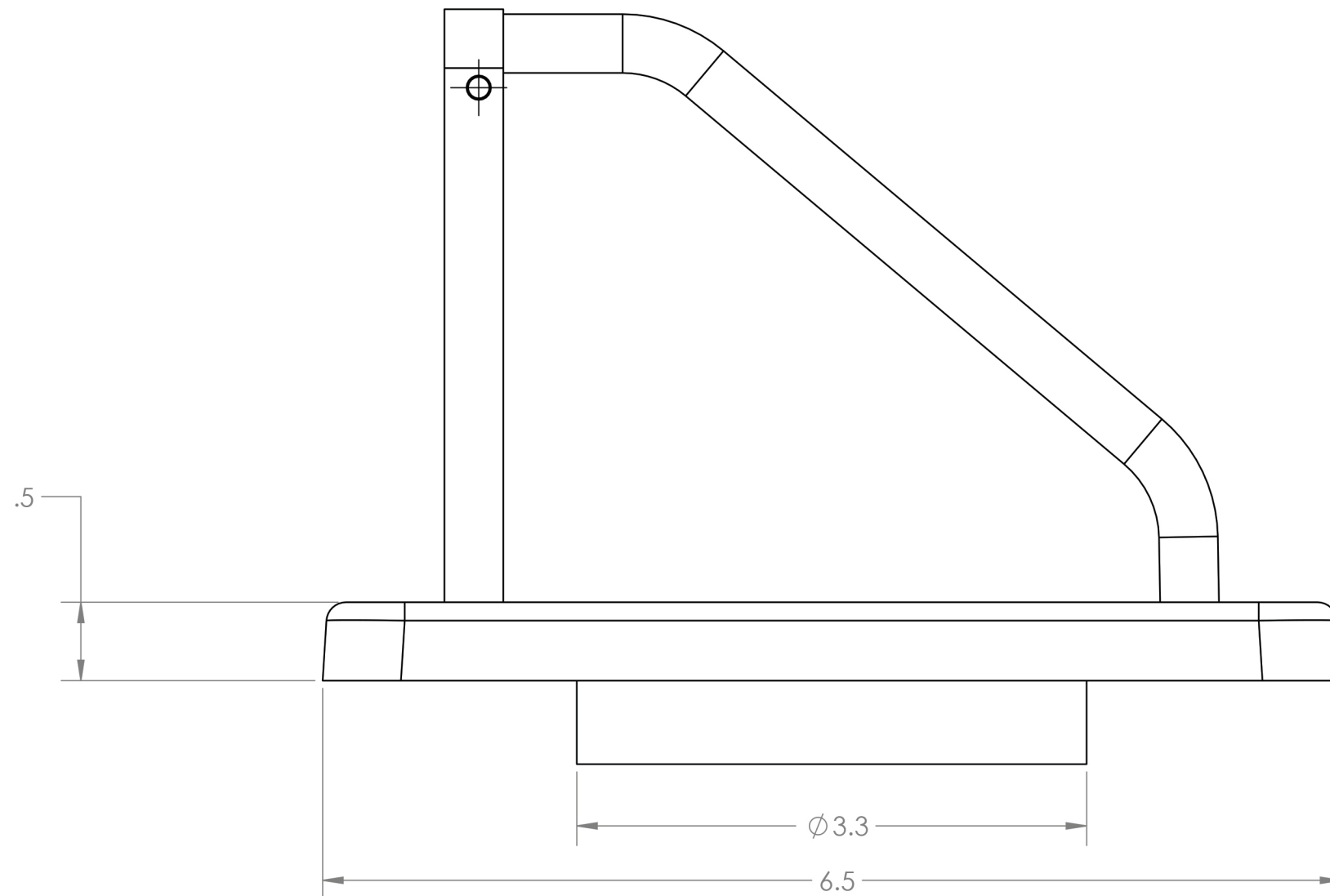
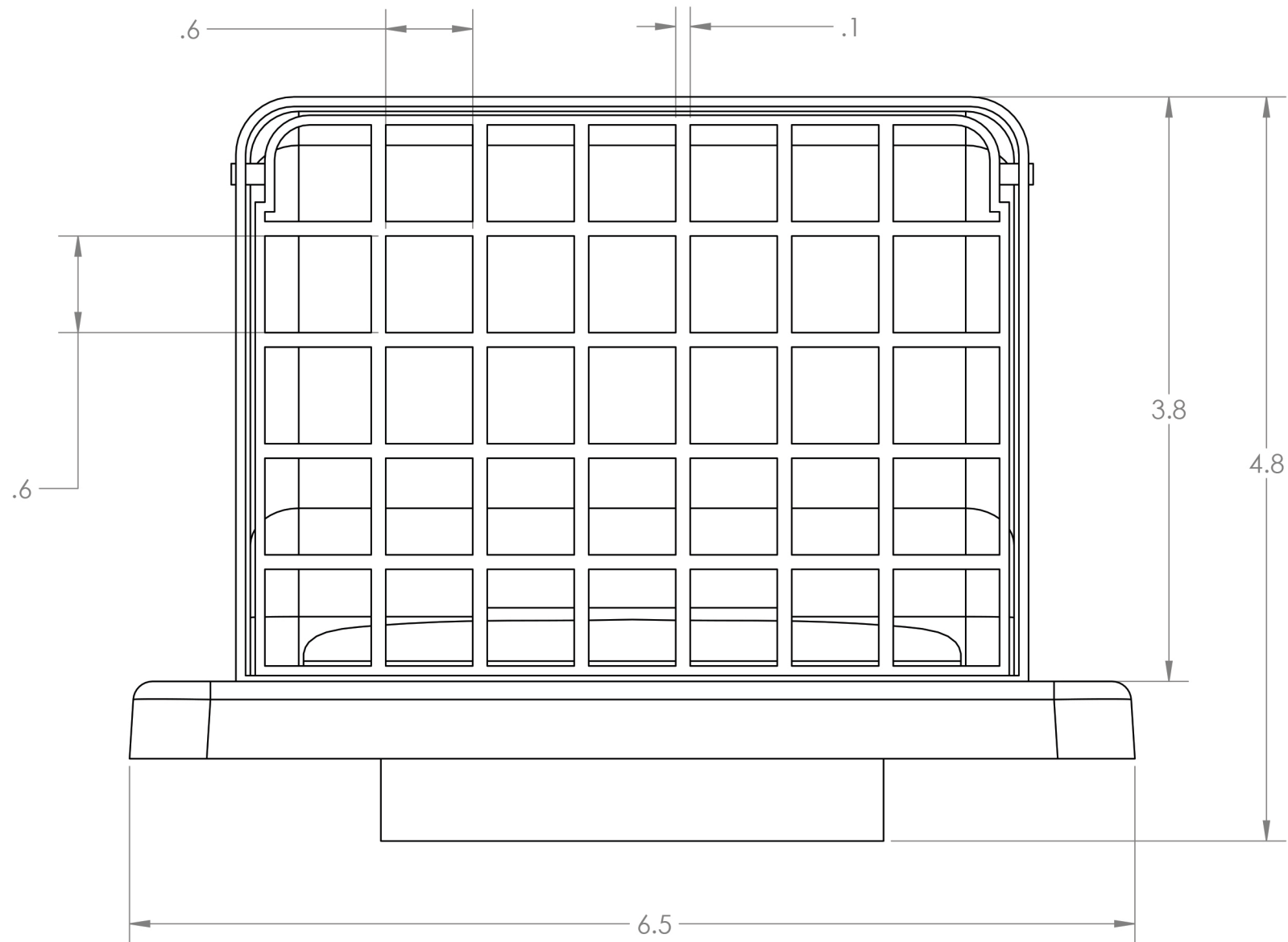
3

2

1



4X Ø .2 THRU ALL
 Ø .4 ▽ .3



LAMBRO Lambro Industries, Inc.
 115 Albany Ave.
 Amityville, NY 11701
 (631) 842-8088
 www.lambro.net

TITLE: 3" Plastic Wall Exhaust Hood Vent
 Damper - Removable Screen - 1" Collar
 Made of polymer resin material with UV inhibitor
 used to help prevent the premature fading of vent

SIZE DWG. NO. REV
C 1470W
 SCALE: 1:1 WEIGHT: SHEET 1 OF 1

PROPRIETARY AND CONFIDENTIAL
 THE INFORMATION CONTAINED IN THIS
 DRAWING IS THE SOLE PROPERTY OF
 LAMBRO. ANY REPRODUCTION IN
 PART OR AS A WHOLE WITHOUT THE
 WRITTEN PERMISSION OF LAMBRO IS
 PROHIBITED.

UNLESS OTHERWISE SPECIFIED:		NAME	DATE
DIMENSIONS ARE IN INCHES		DRAWN	
TOLERANCES:		CHECKED	
FRACTIONAL: 1/16		ENG APPR.	
ANGULAR: MACH ± 1 BEND ± .01		MFG APPR.	
TWO PLACE DECIMAL ± 0.01		Q.A.	
THREE PLACE DECIMAL ± 0.005		COMMENTS:	
INTERPRET GEOMETRIC TOLERANCING PER:		Net Free Area (NFA)	
MATERIAL		Without Screen: 18 sq. in.	
FINISH		With Screen: 13 sq. in.	
NEXT ASSY	USED ON		
APPLICATION			
DO NOT SCALE DRAWING			



4

3

2

1