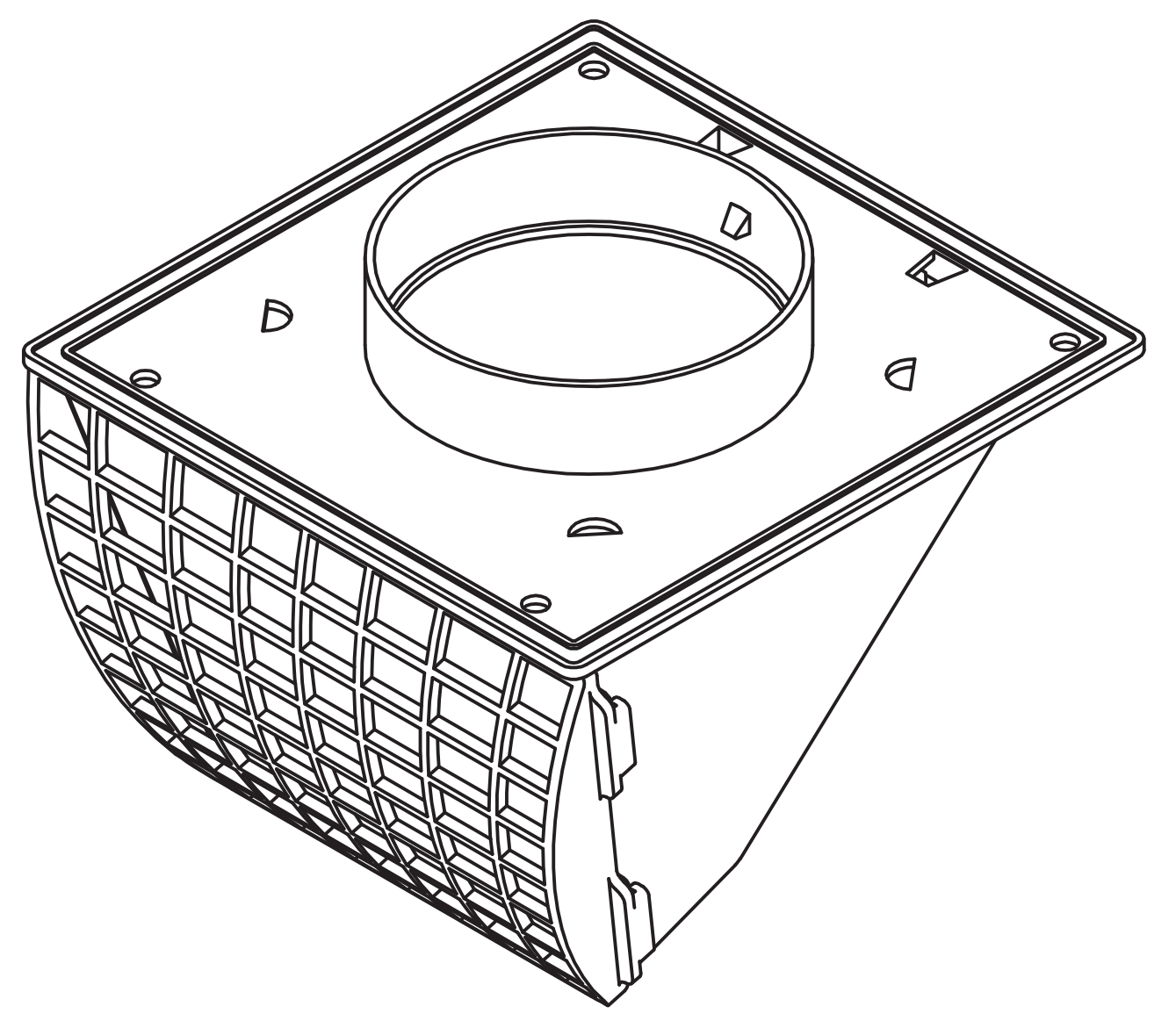

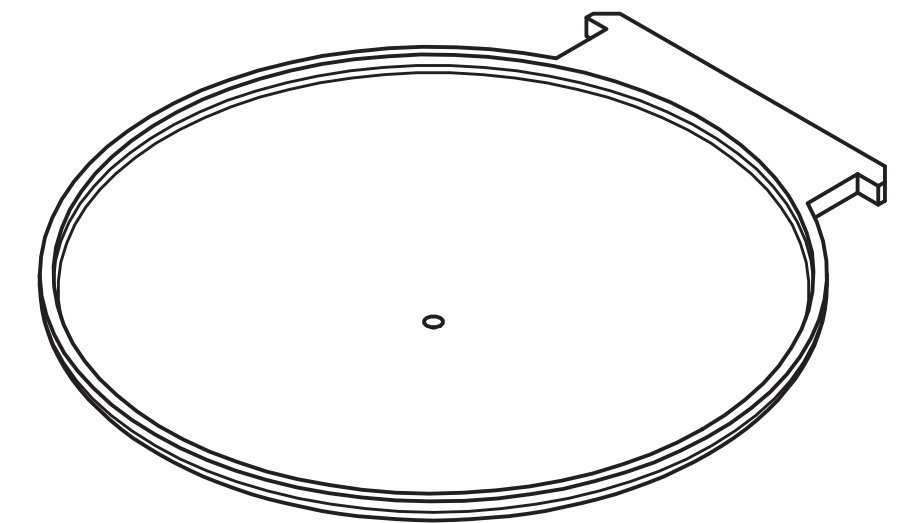
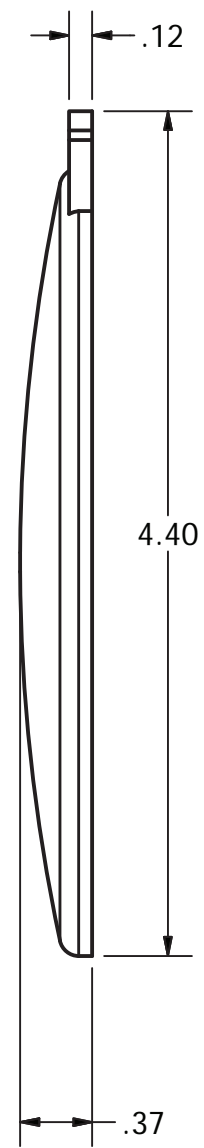
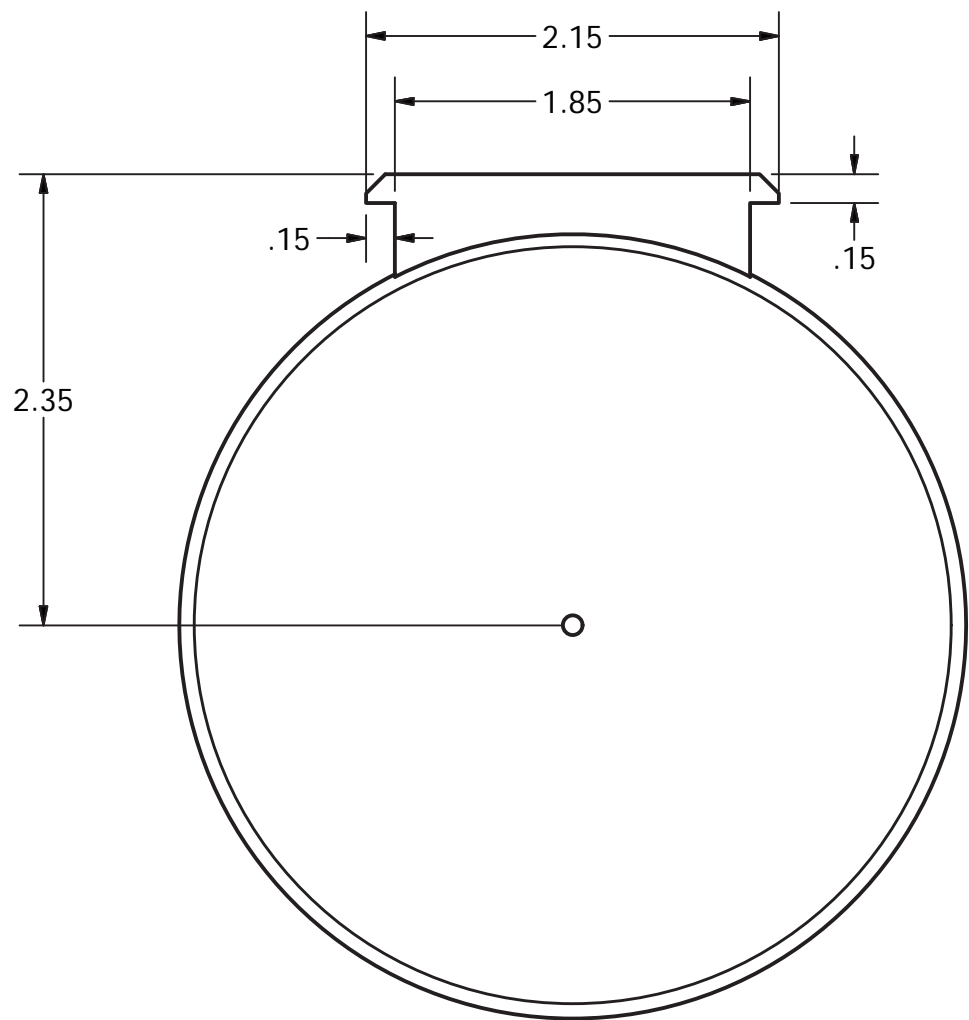
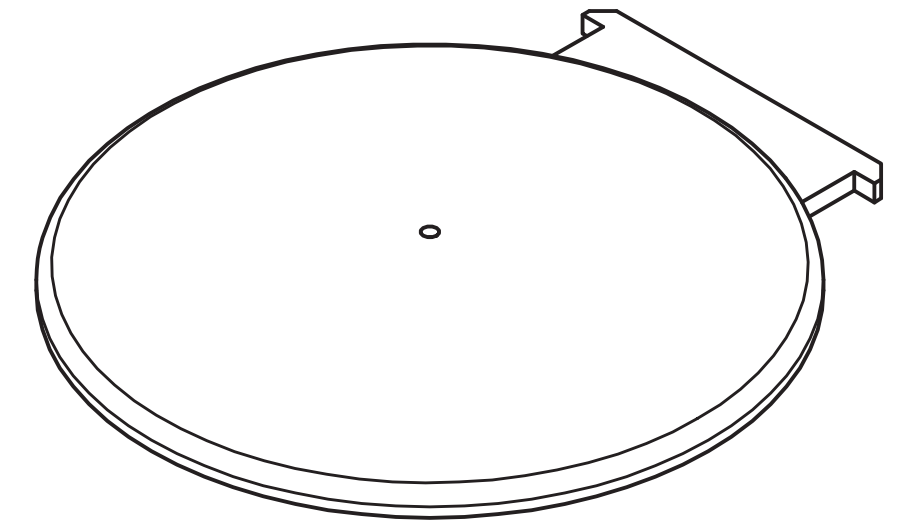
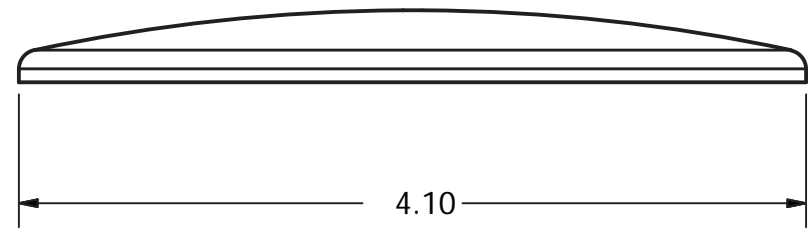


SECTION A-A



DRAWN BY J. VALENTI		2/5/2017		LAMBRO INDUSTRIES, INC.	
					
SIZE D	DWG NO WHITE CURVED FACE VENT		REV A		
NOT TO SCALE			SHEET 1 OF 1		



DRAWN BY
J. VALENTI

2/5/2017

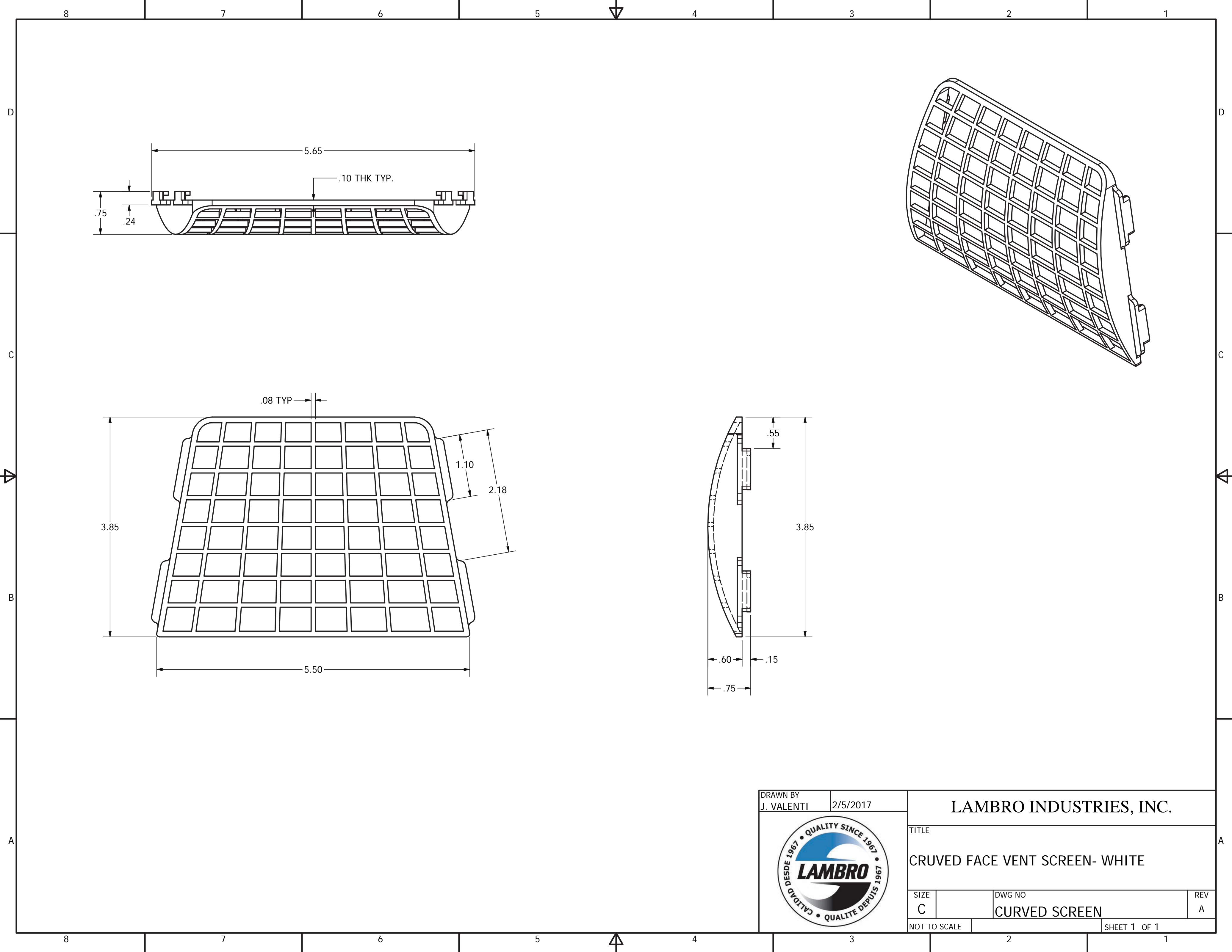
LAMBRO INDUSTRIES, INC.



TITLE
WHITE VENT FLAP

SIZE C	DWG NO CURVED FACE VENT FLAP	REV A
-----------	---------------------------------	----------

NOT TO SCALE SHEET 1 OF 1



DRAWN BY
J. VALENTI

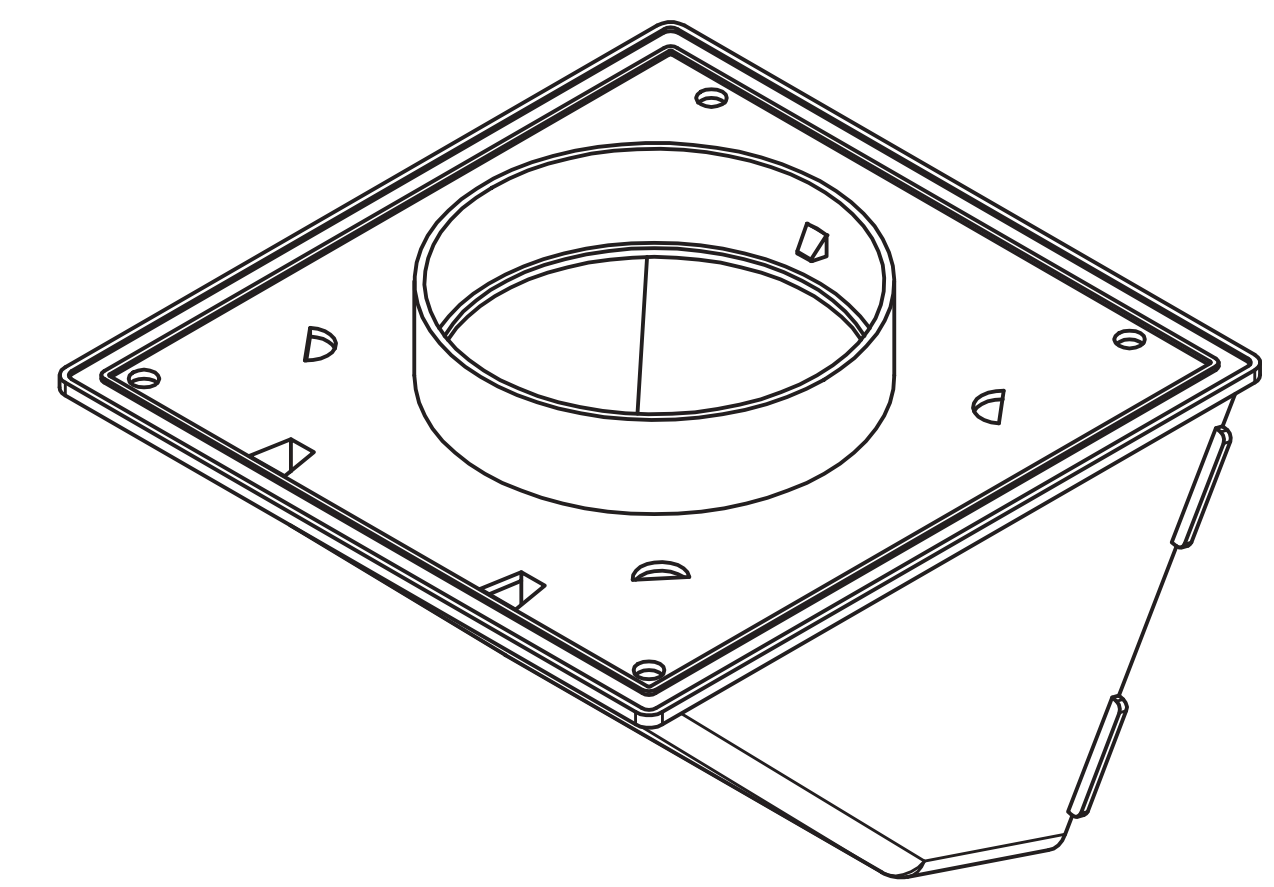
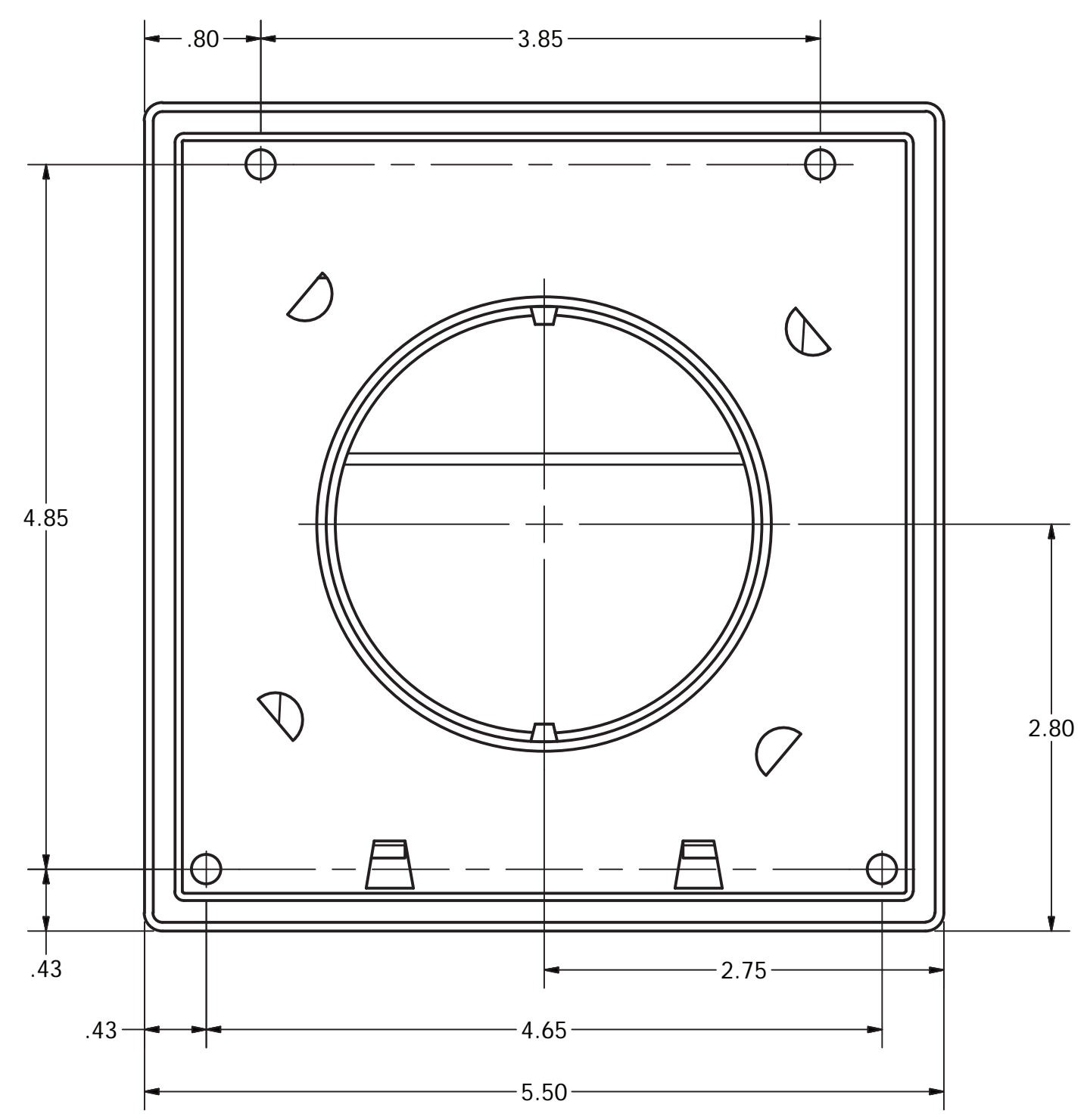
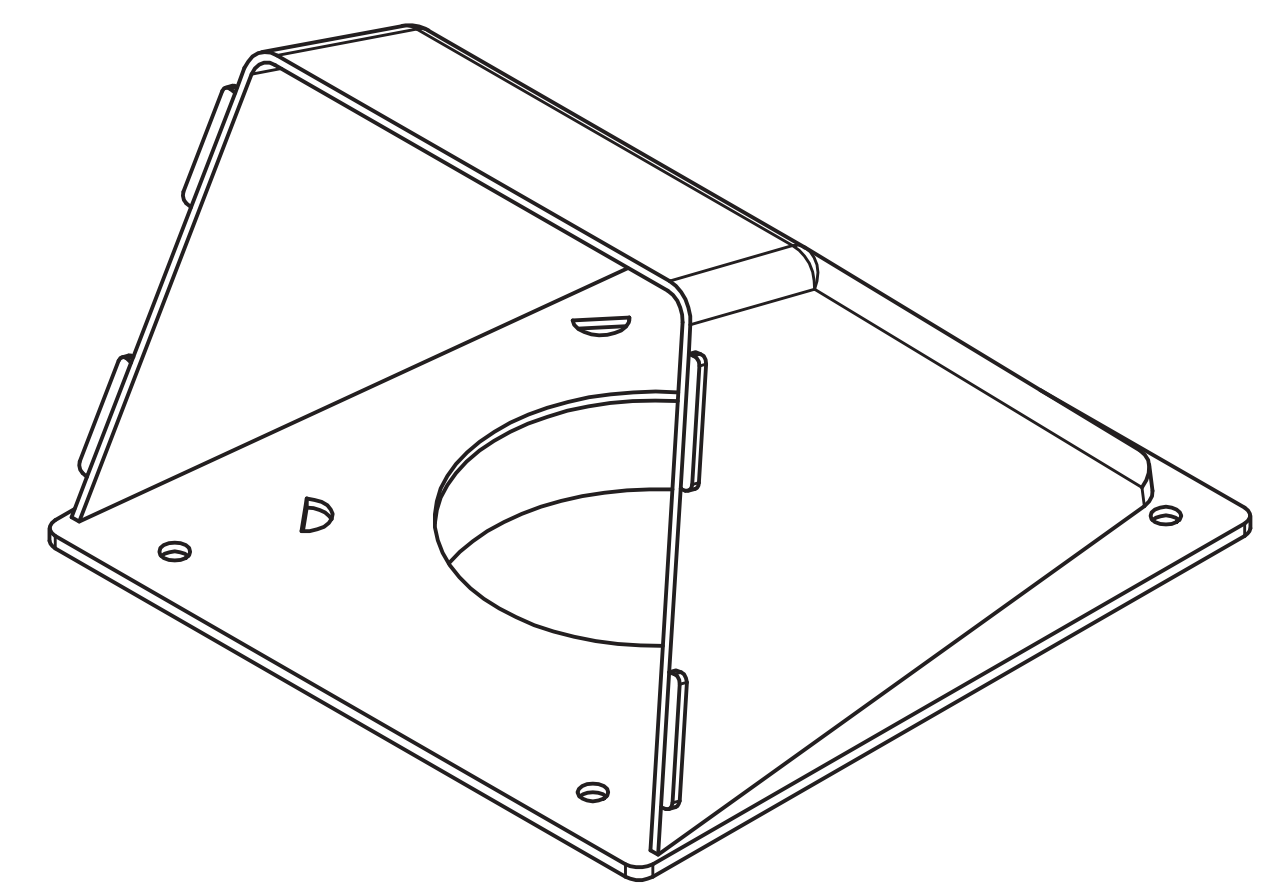
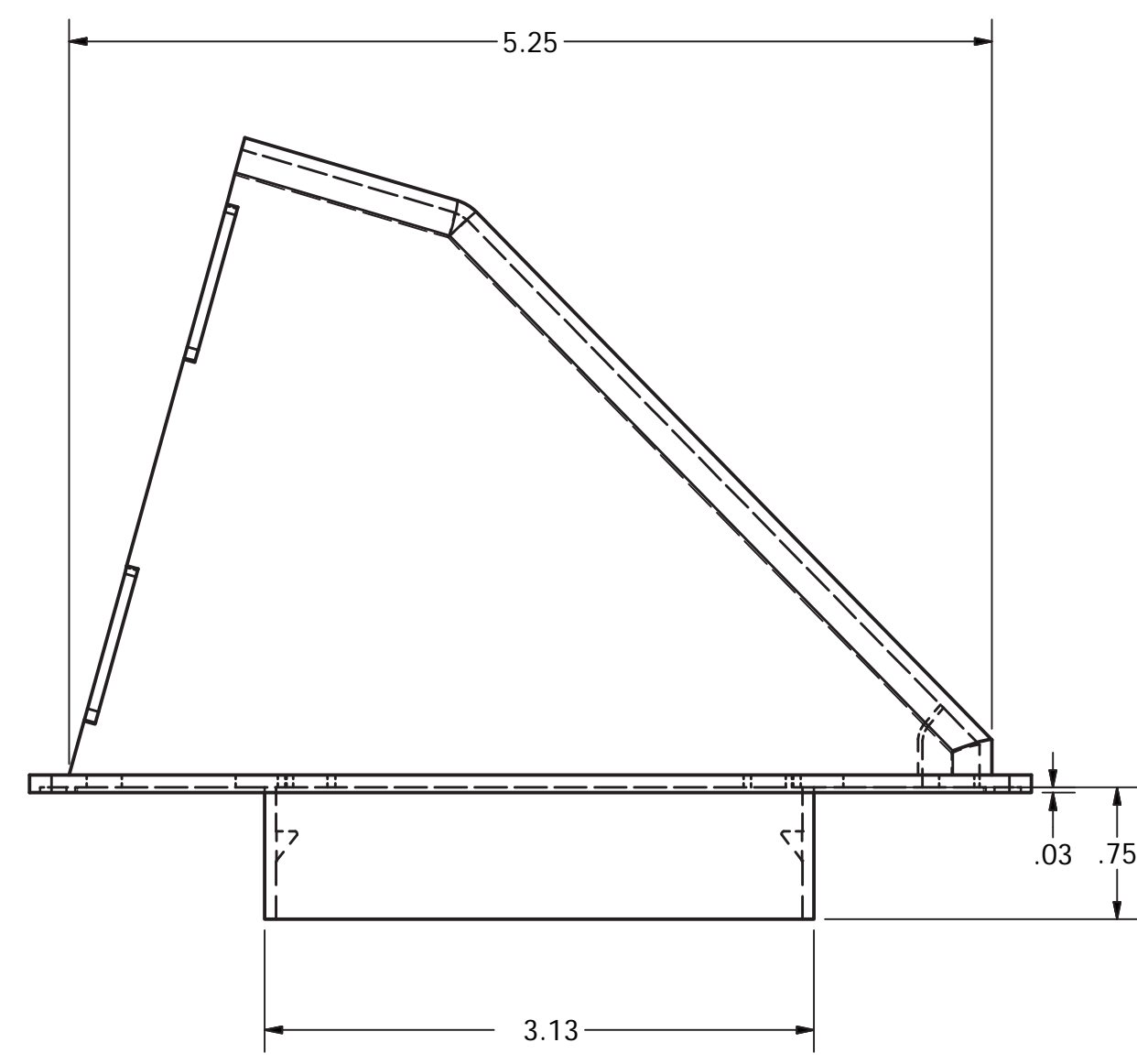
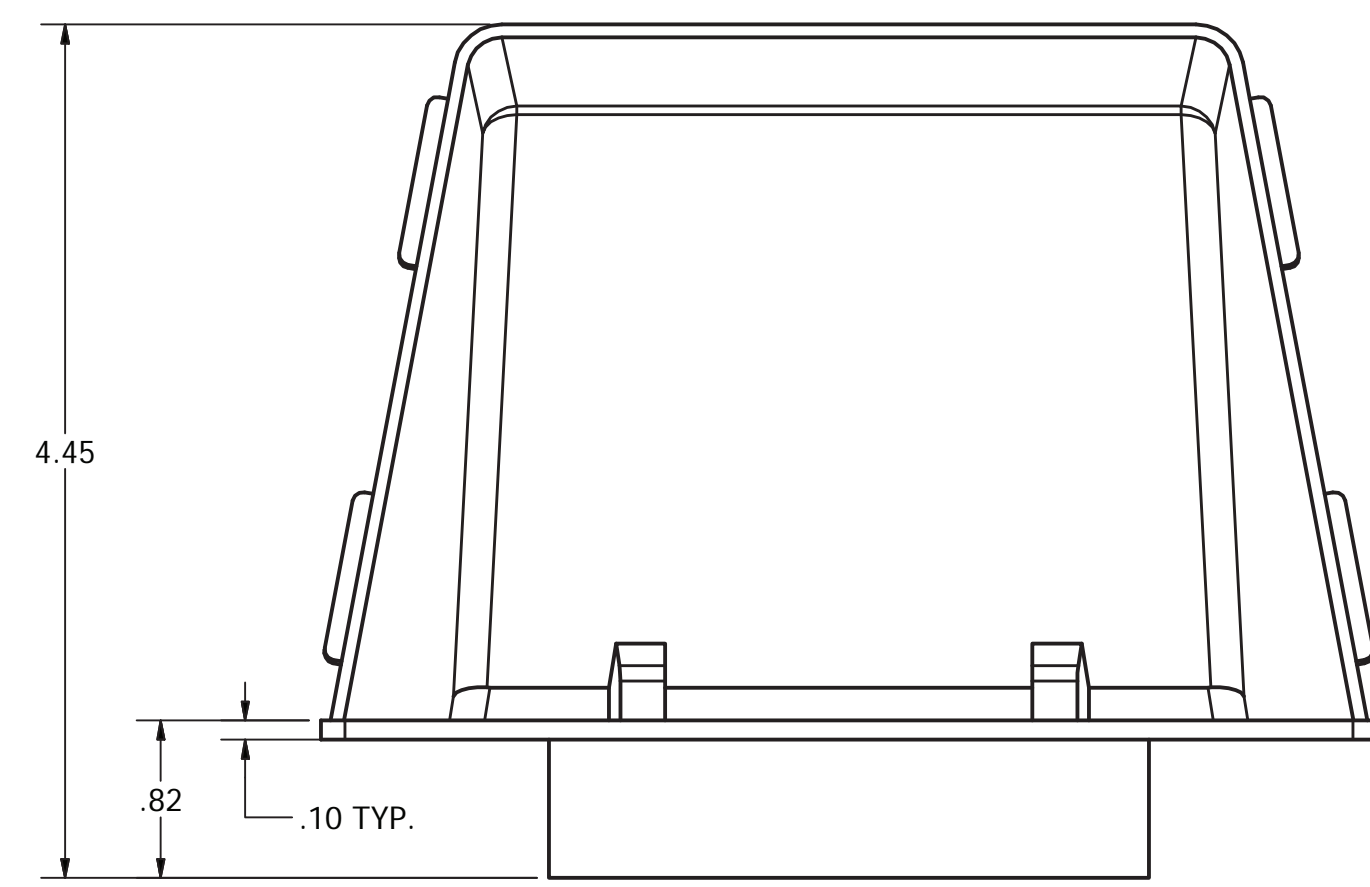
2/5/2017




LAMBRO INDUSTRIES, INC.

TITLE
CURVED FACE VENT SCREEN- WHITE

SIZE C	DWG NO CURVED SCREEN	REV A
NOT TO SCALE	SHEET 1 OF 1	



DRAWN BY J. VALENTI		2/5/2017		LAMBRO INDUSTRIES, INC.	
					
SIZE D	DWG NO CURVED FACE VENT BASE		REV A		
NOT TO SCALE			SHEET 1 OF 1		