

4

3

2

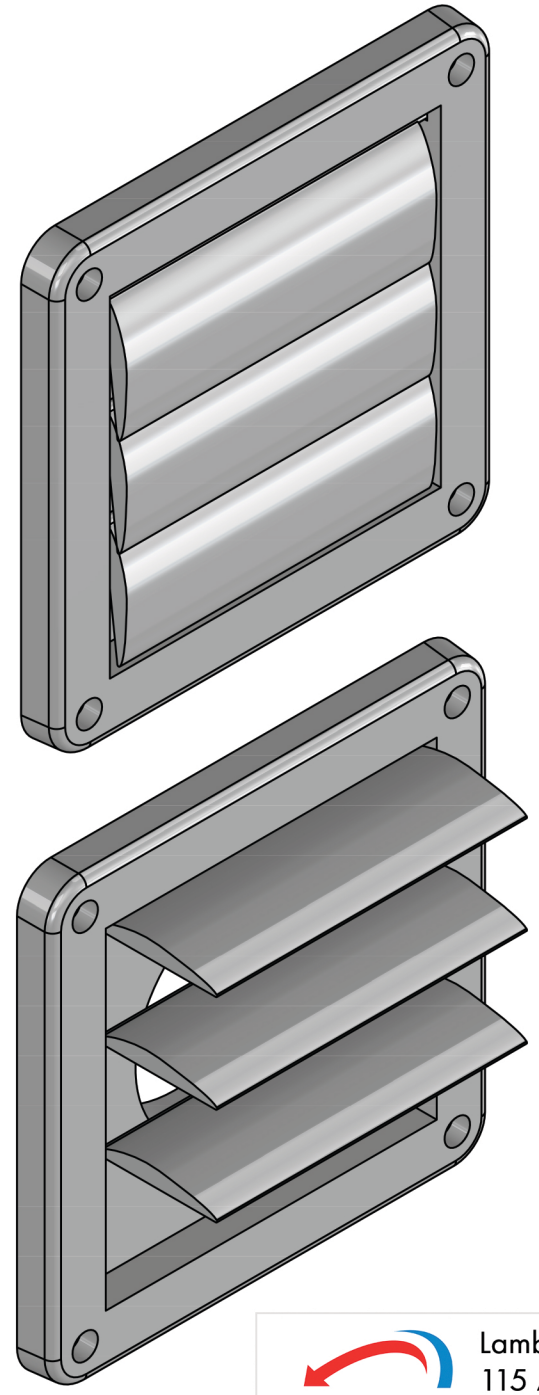
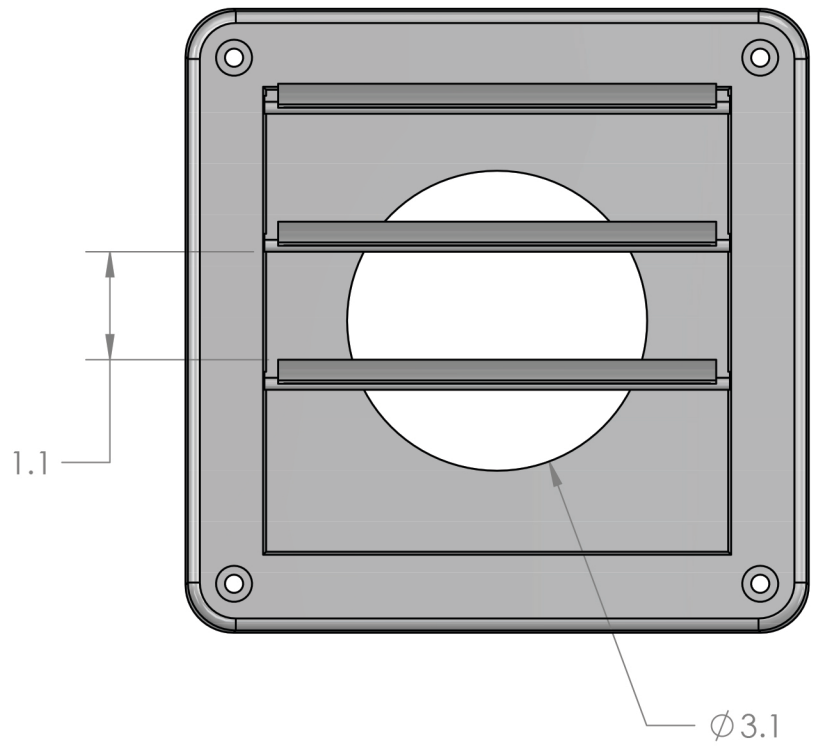
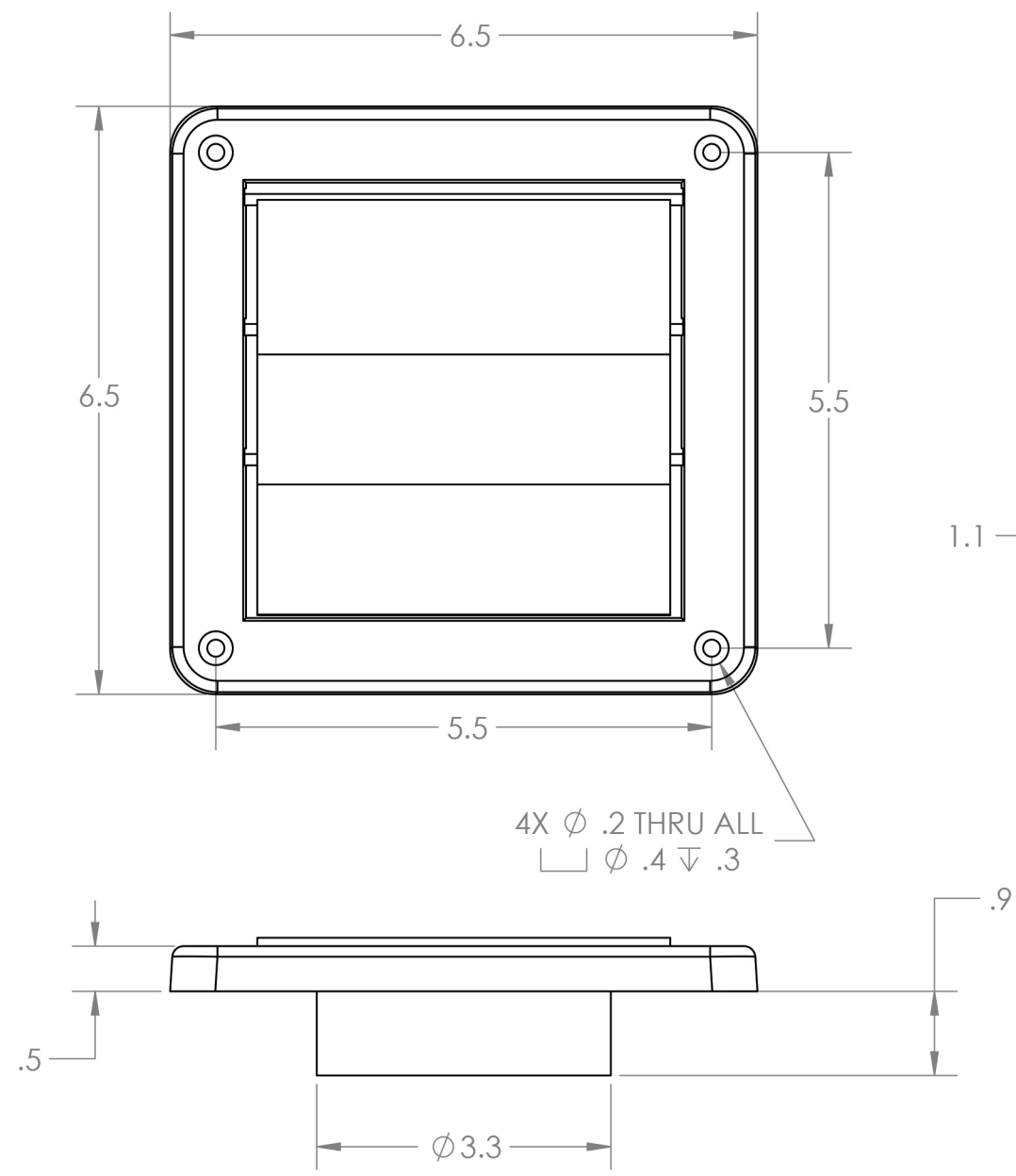
1

B

B

A

A



Lambro Industries, Inc.  
 115 Albany Ave.  
 Amityville, NY 11701  
 (631) 842-8088  
 www.lambro.net



**PROPRIETARY AND CONFIDENTIAL**  
 THE INFORMATION CONTAINED IN THIS DRAWING IS THE SOLE PROPERTY OF LAMBRO. ANY REPRODUCTION IN PART OR AS A WHOLE WITHOUT THE WRITTEN PERMISSION OF LAMBRO IS PROHIBITED.

		UNLESS OTHERWISE SPECIFIED:	NAME	DATE
		DIMENSIONS ARE IN INCHES	DRAWN	
		TOLERANCES:	CHECKED	
		FRACTIONAL $\pm$ 1/16	ENG APPR.	
		ANGULAR: MACH $\pm$ 1 BEND $\pm$ .01	MFG APPR.	
		TWO PLACE DECIMAL $\pm$ 0.01	Q.A.	
		THREE PLACE DECIMAL $\pm$ 0.005	COMMENTS:	
		INTERPRET GEOMETRIC TOLERANCING PER:	Net Free Area (NFA)	
		MATERIAL	6 sq. in.	
NEXT ASSY	USED ON	FINISH		
APPLICATION		DO NOT SCALE DRAWING		

**TITLE:** 3" Plastic Wall Louvered Exhaust Vent  
 0.9" Collar  
 Made of polymer resin material with UV inhibitor used to help prevent the premature fading of vent

SIZE	DWG. NO.	REV
<b>B</b>	<b>1475W</b>	
SCALE: 1:2	WEIGHT:	SHEET 1 OF 1

4

3

2

1