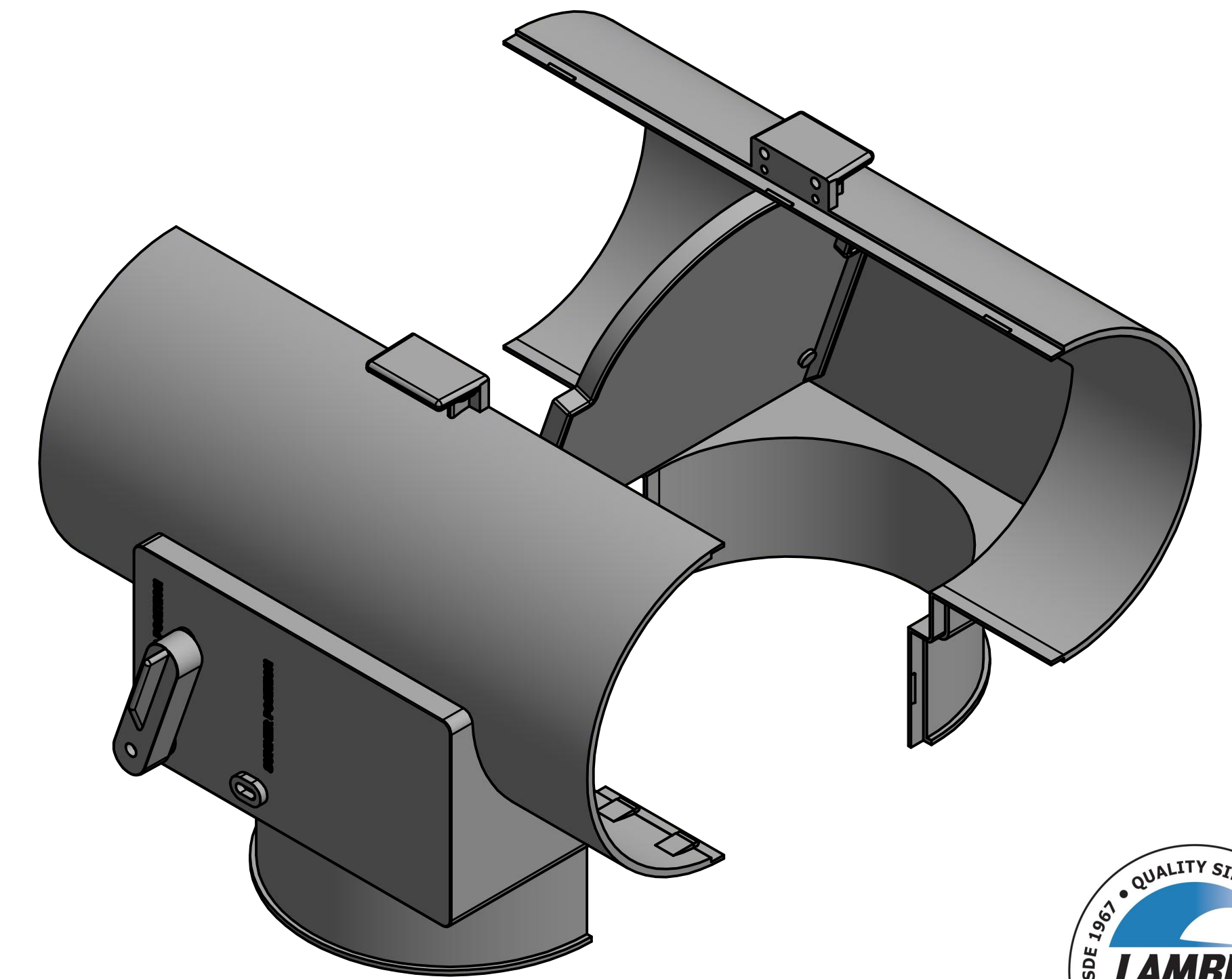
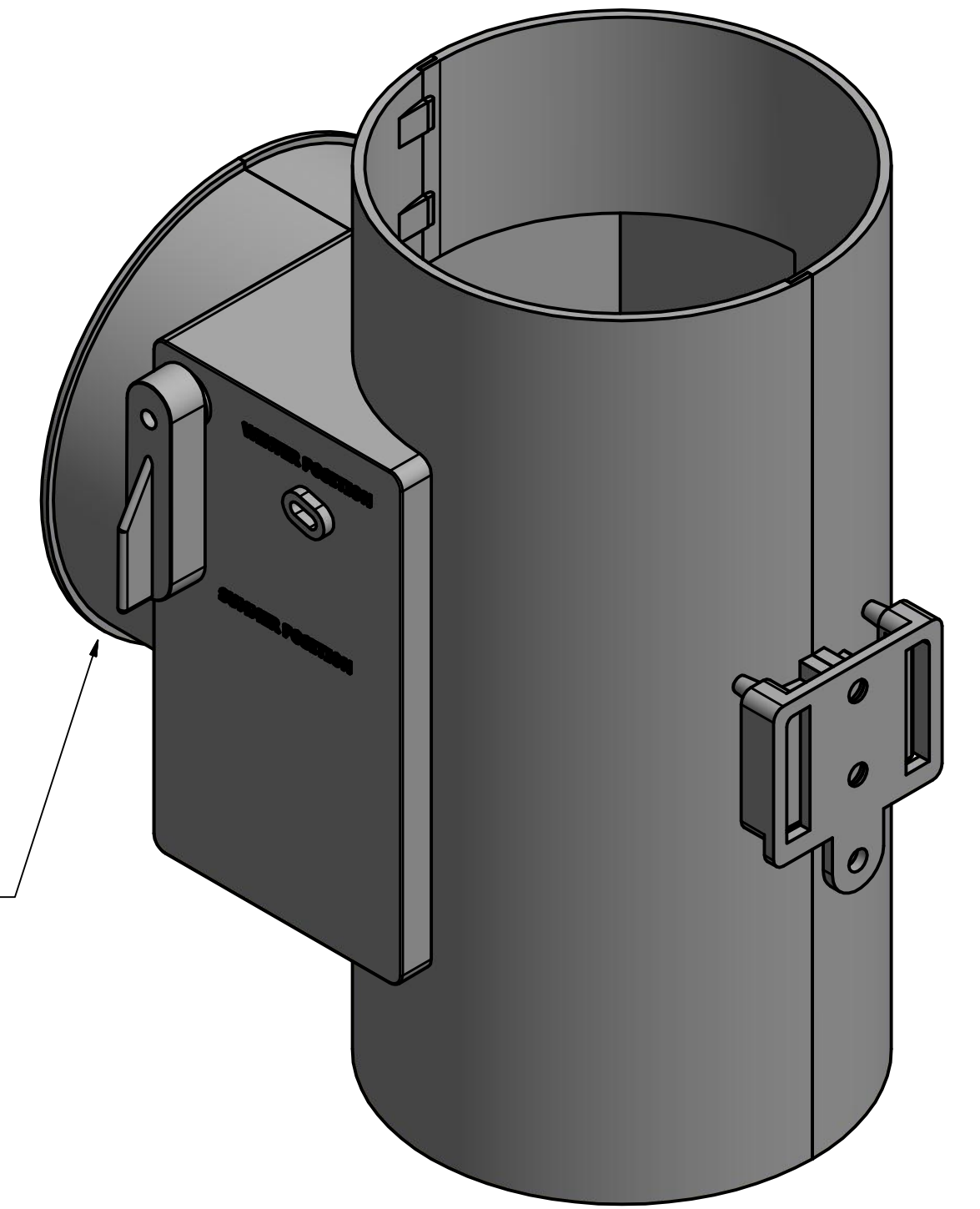
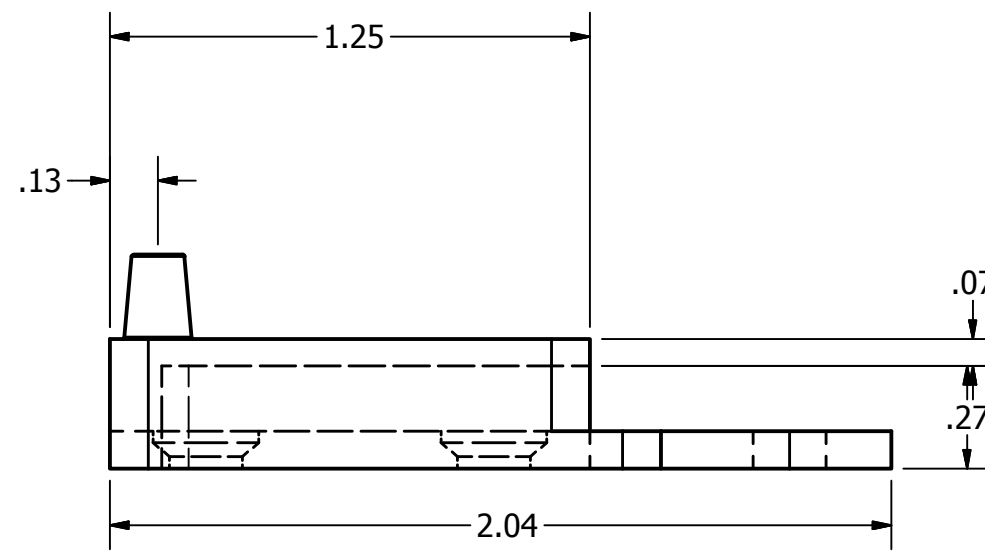
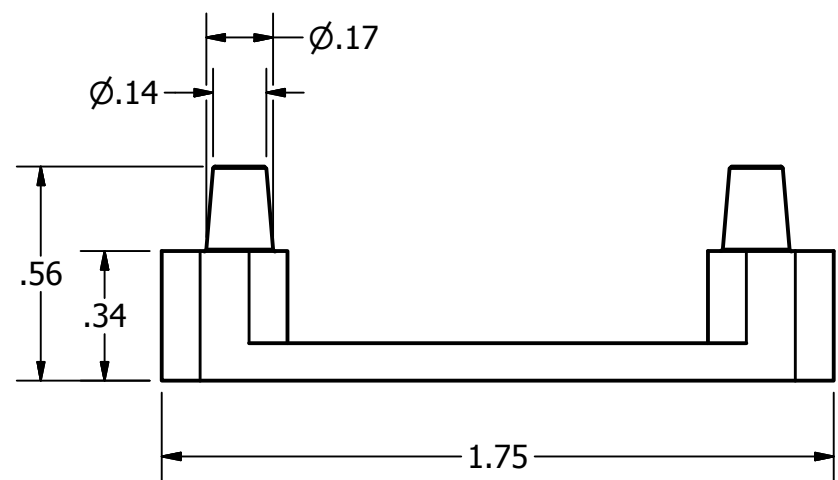
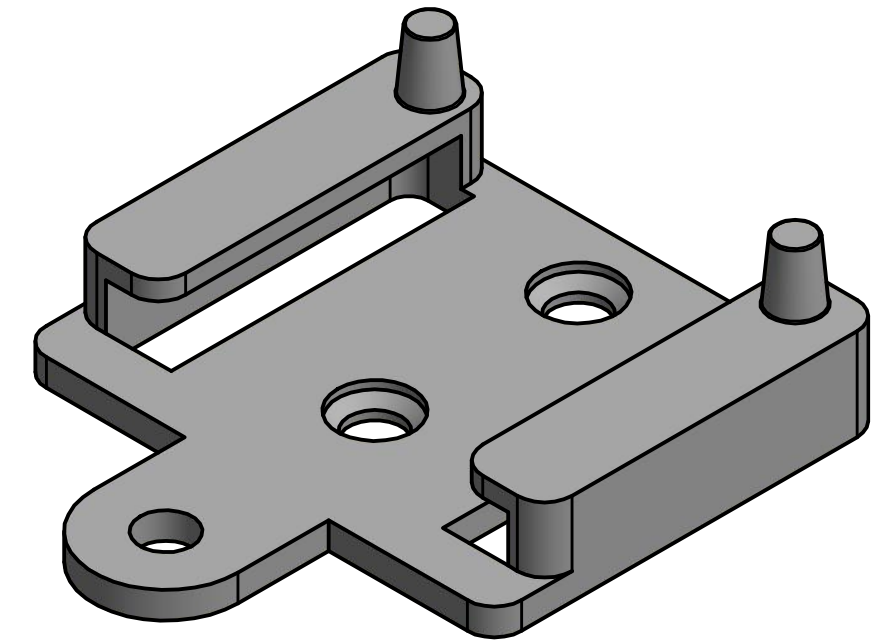
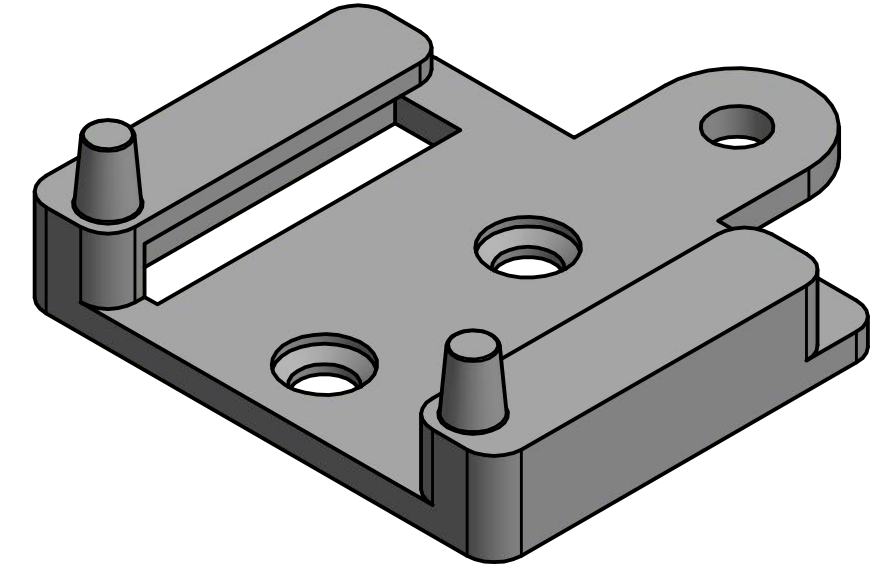
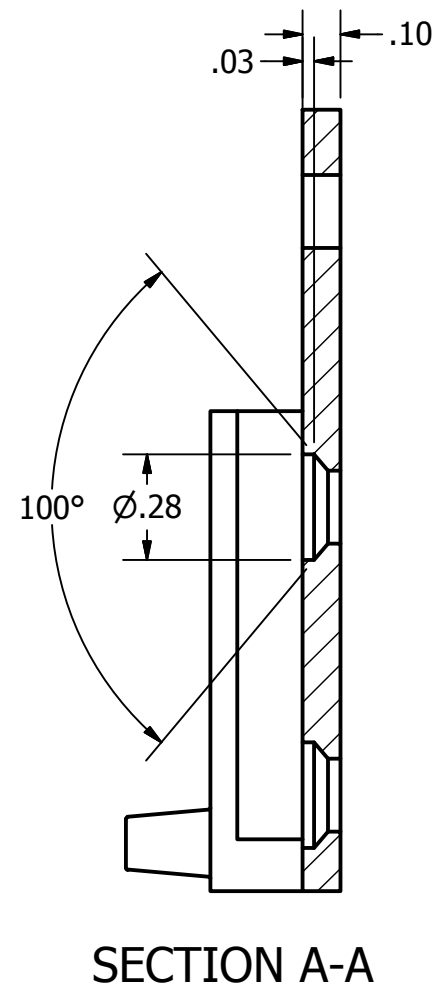
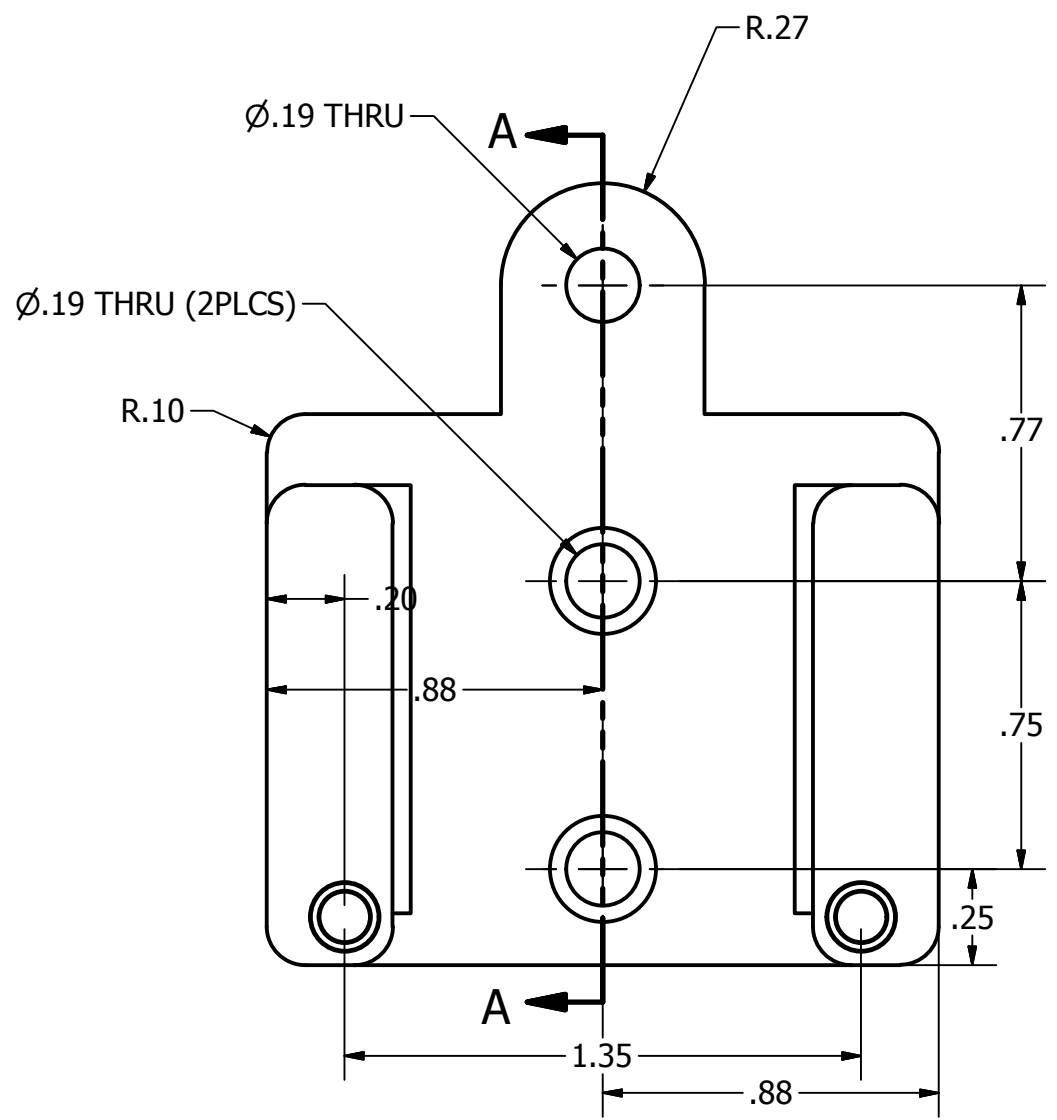


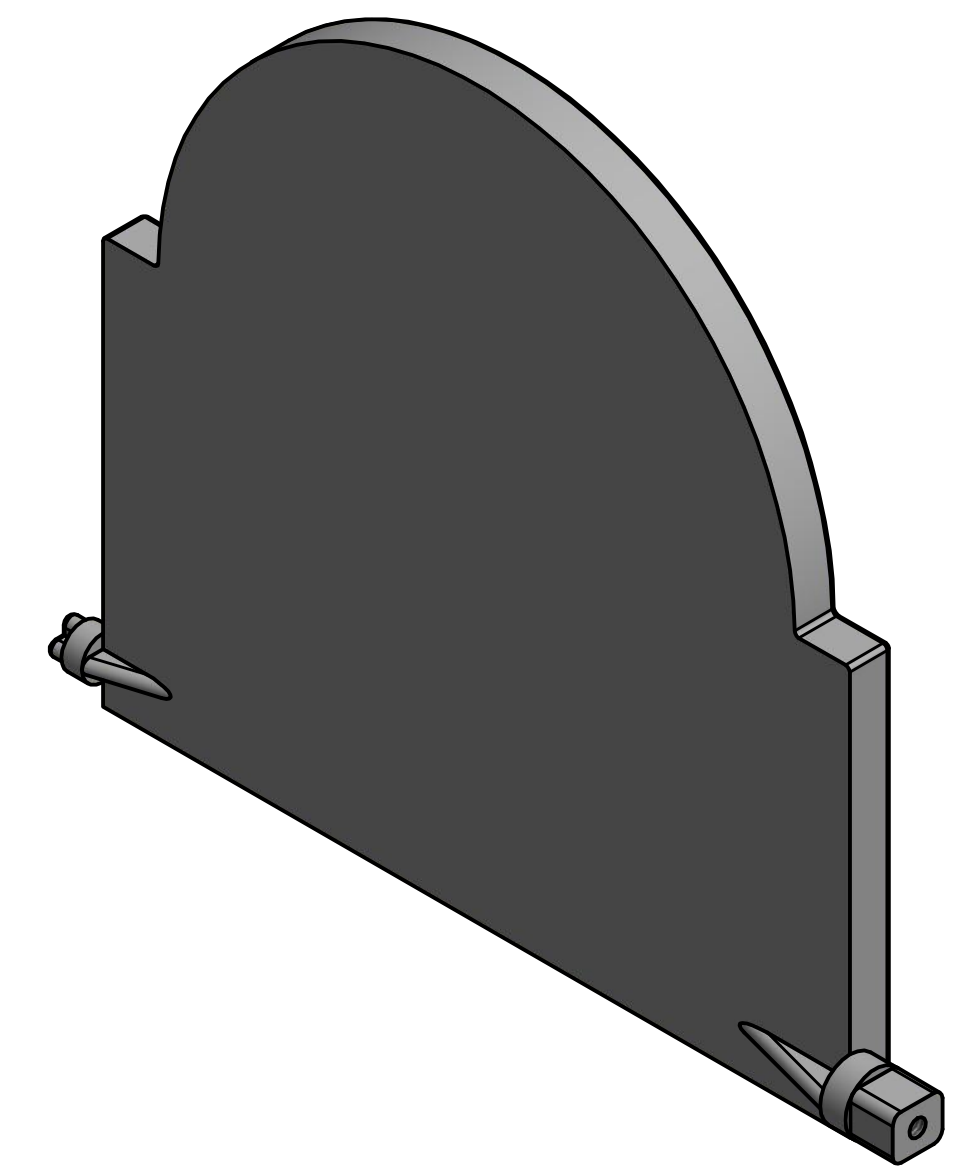
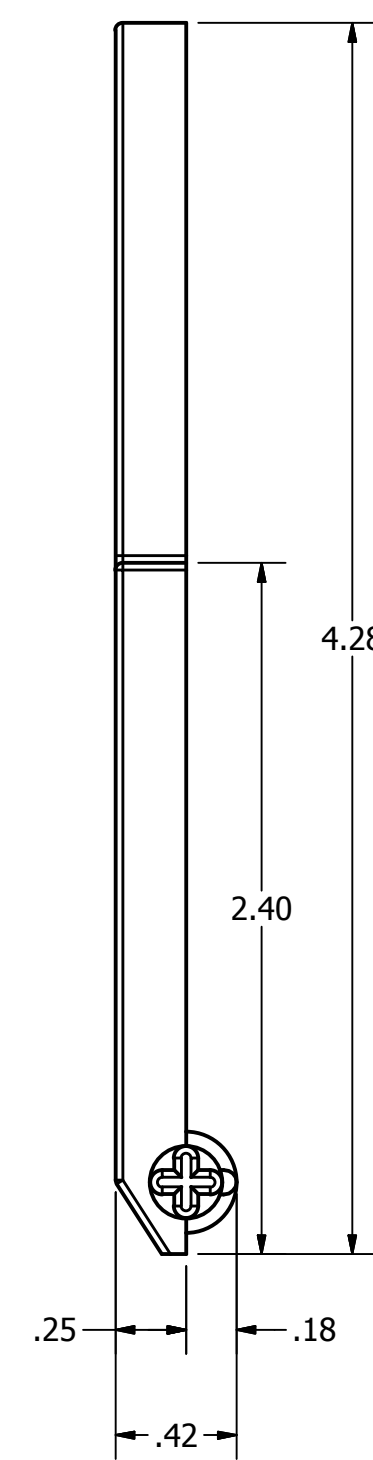
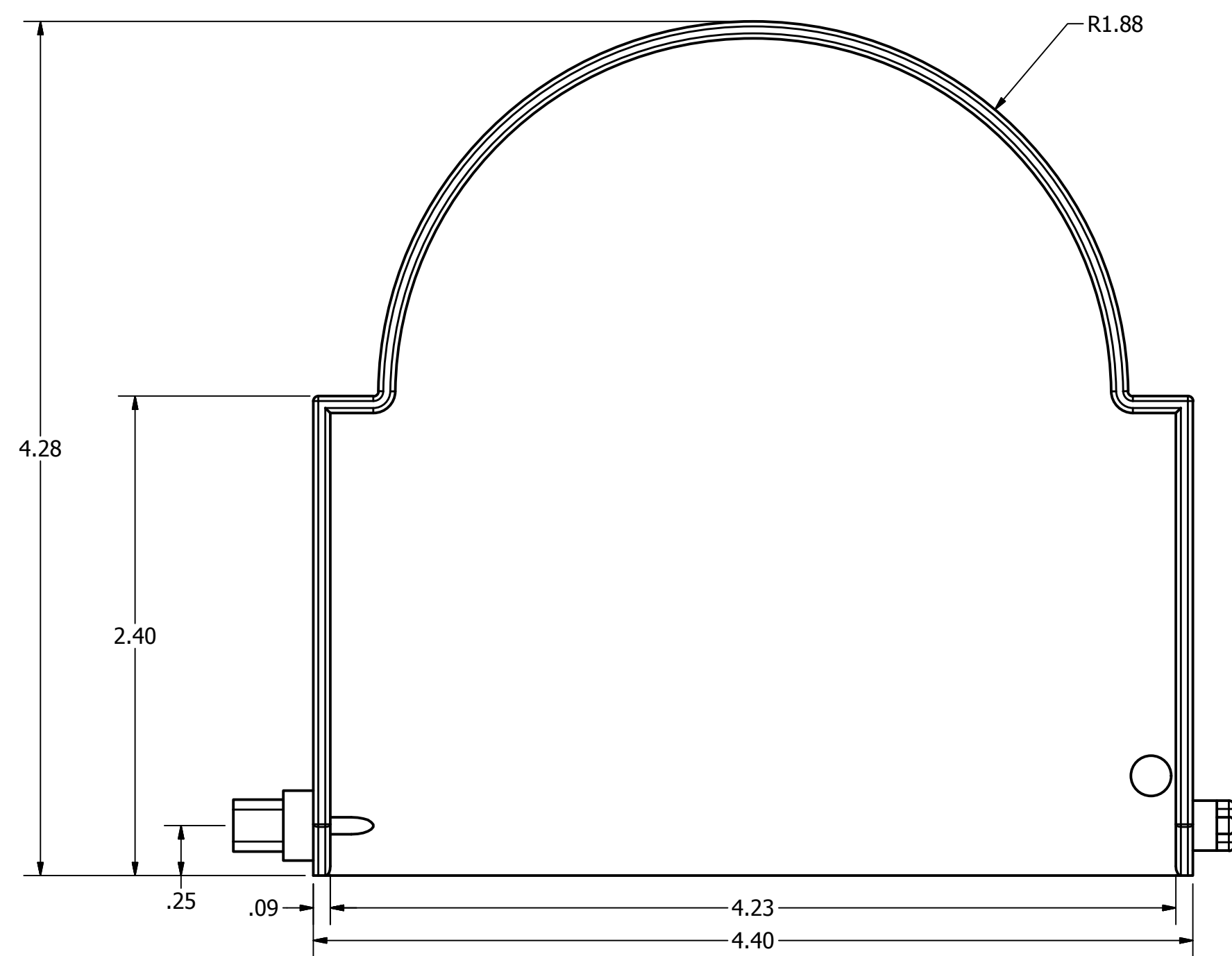
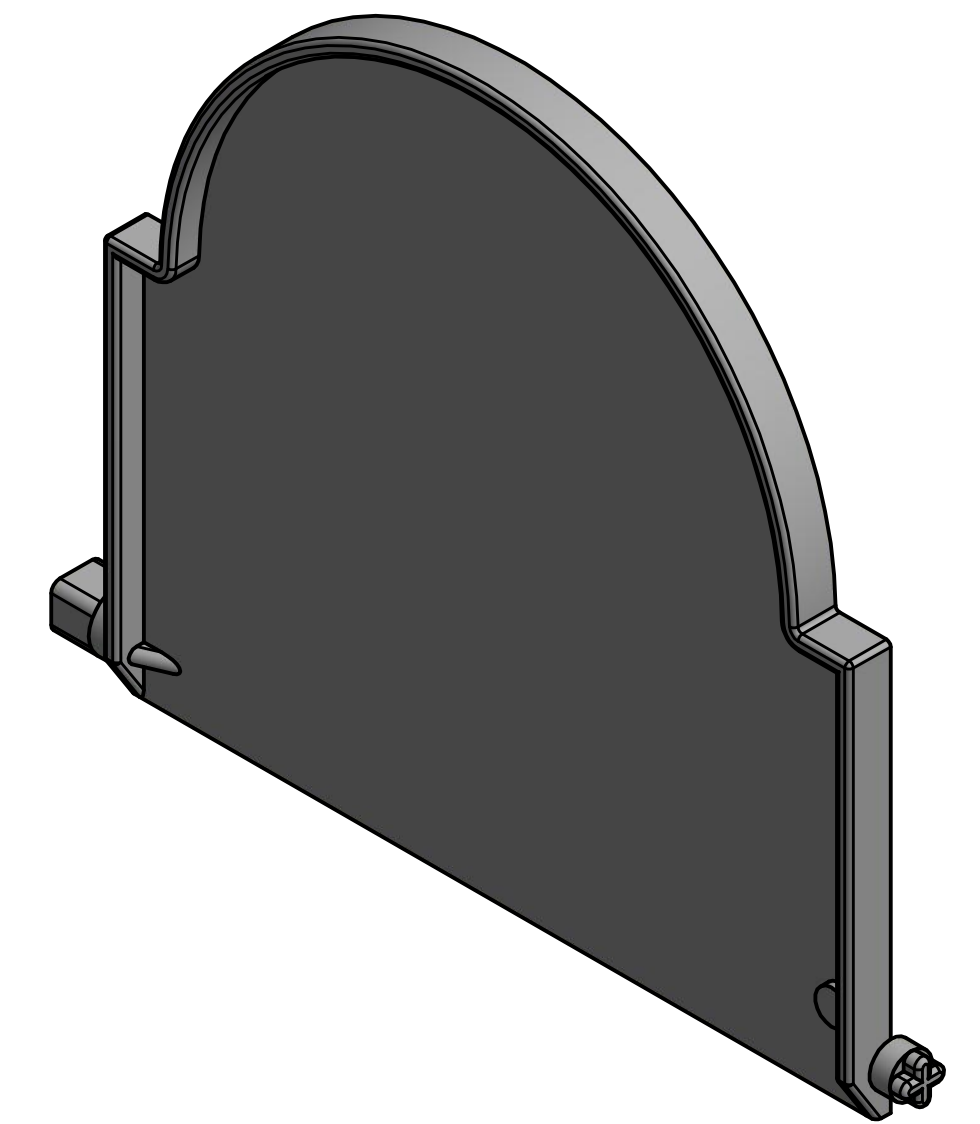
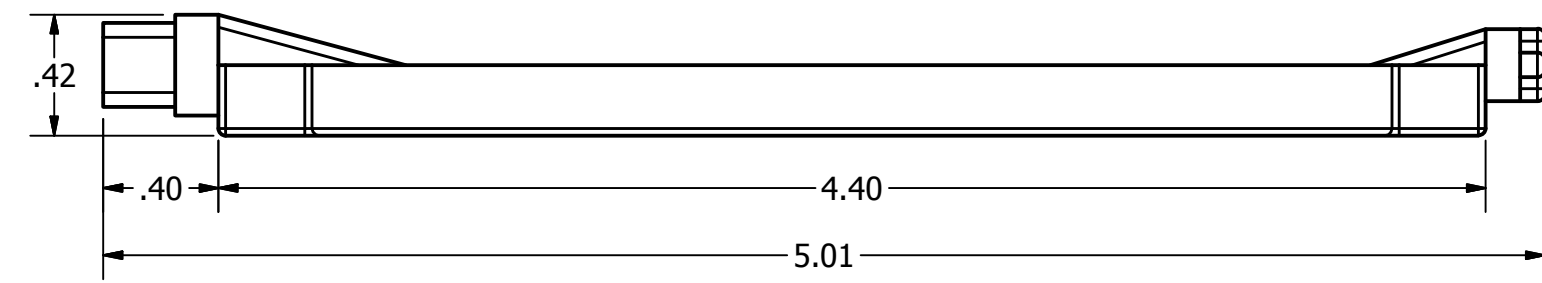
LINT CATCHER (NOT SHOWN IN DRAWING) IS USED TO COLLECT COMBUSIBLE DRYER LINT WHEN DEVICE OPERATED IN WINTER POSITION.



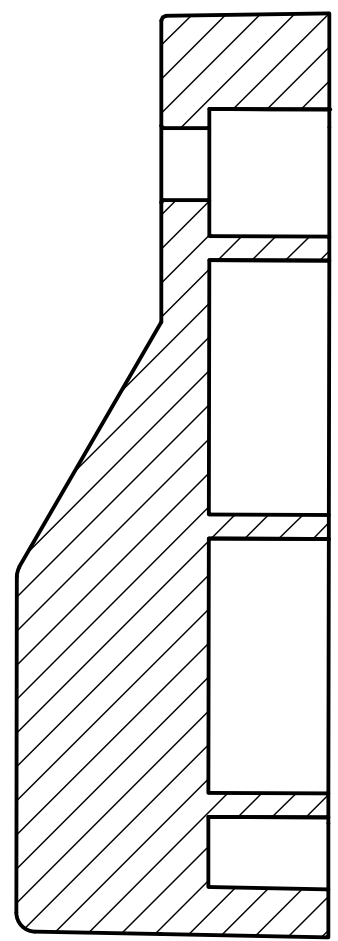
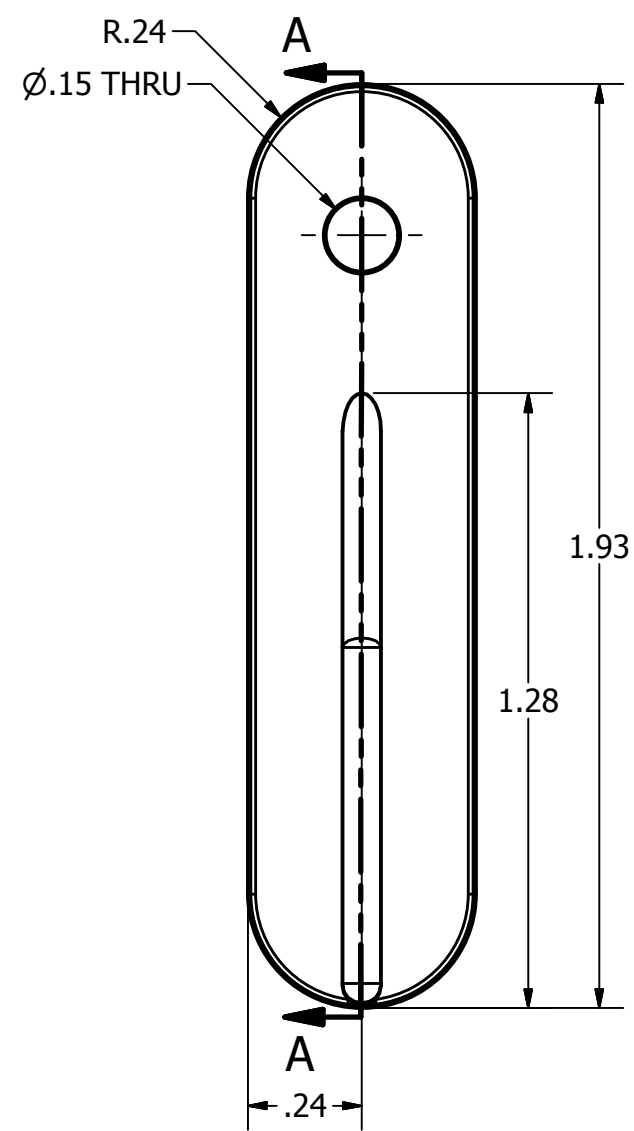
DRAWN J.VALENTI	1/11/2015	LAMBRO INDUSTRIES, INC.		
CHECKED		TITLE		
QA		SUMMER-WINTER LINT VENT ASSEMBLY		
MFG		SIZE	DWG NO	REV
APPROVED		D	WINTER-SUMMER VENT	
		SCALE	SHEET 1 OF 1	



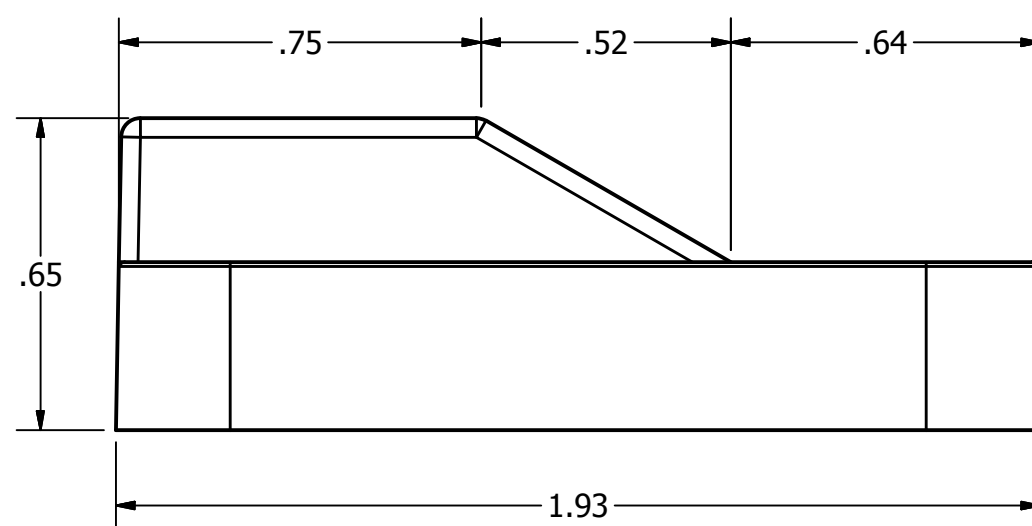
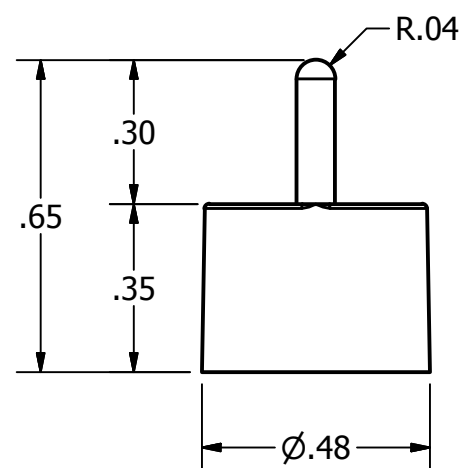
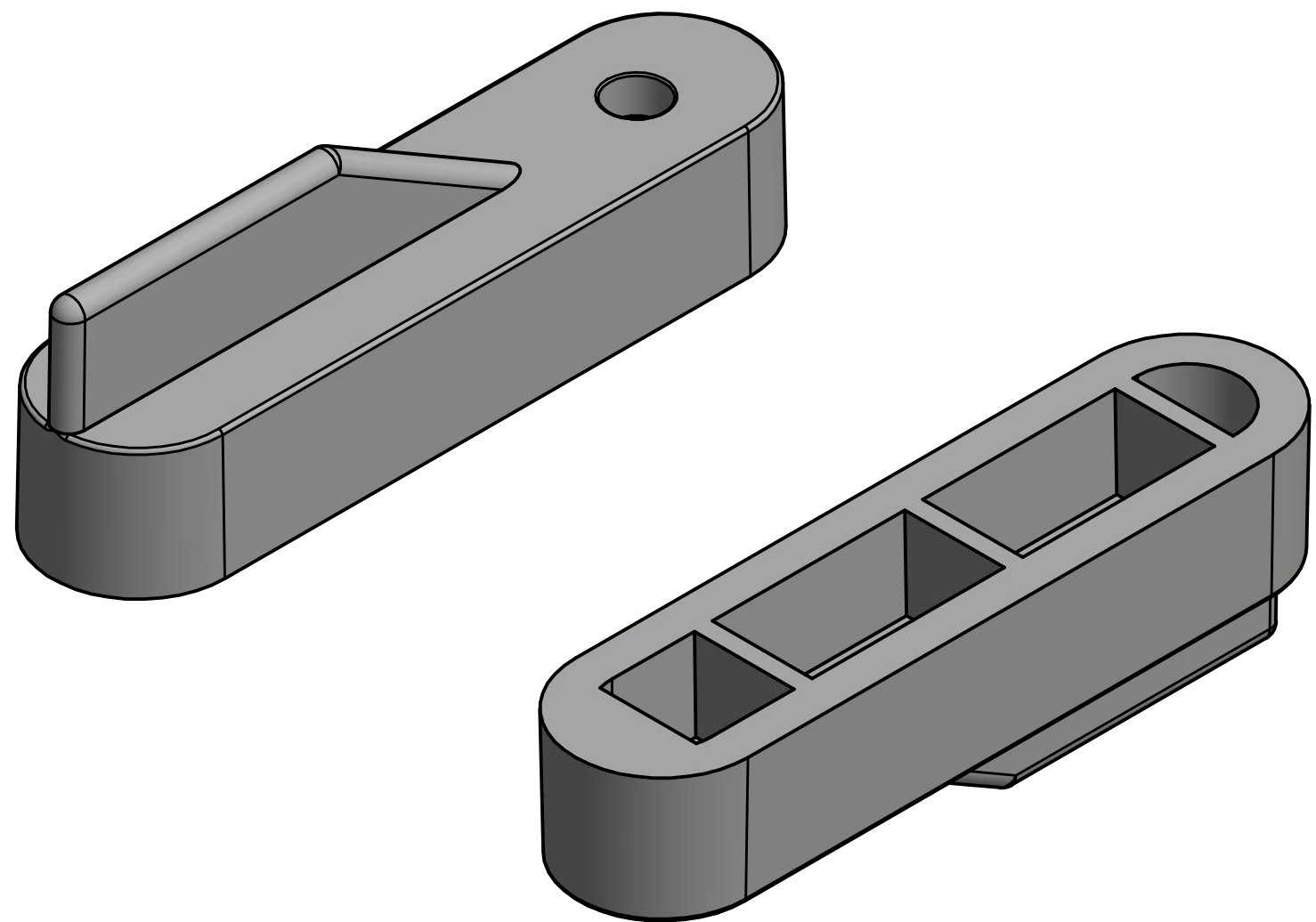
DRAWN J.VALENTI	1/11/2015	LAMBRO INDUSTRIES, INC.		
CHECKED		TITLE		
QA		BRACKET		
MFG		SIZE C	DWG NO	REV
APPROVED		SCALE	WINTER-DRYER VENT	
			SHEET 1 OF 1	



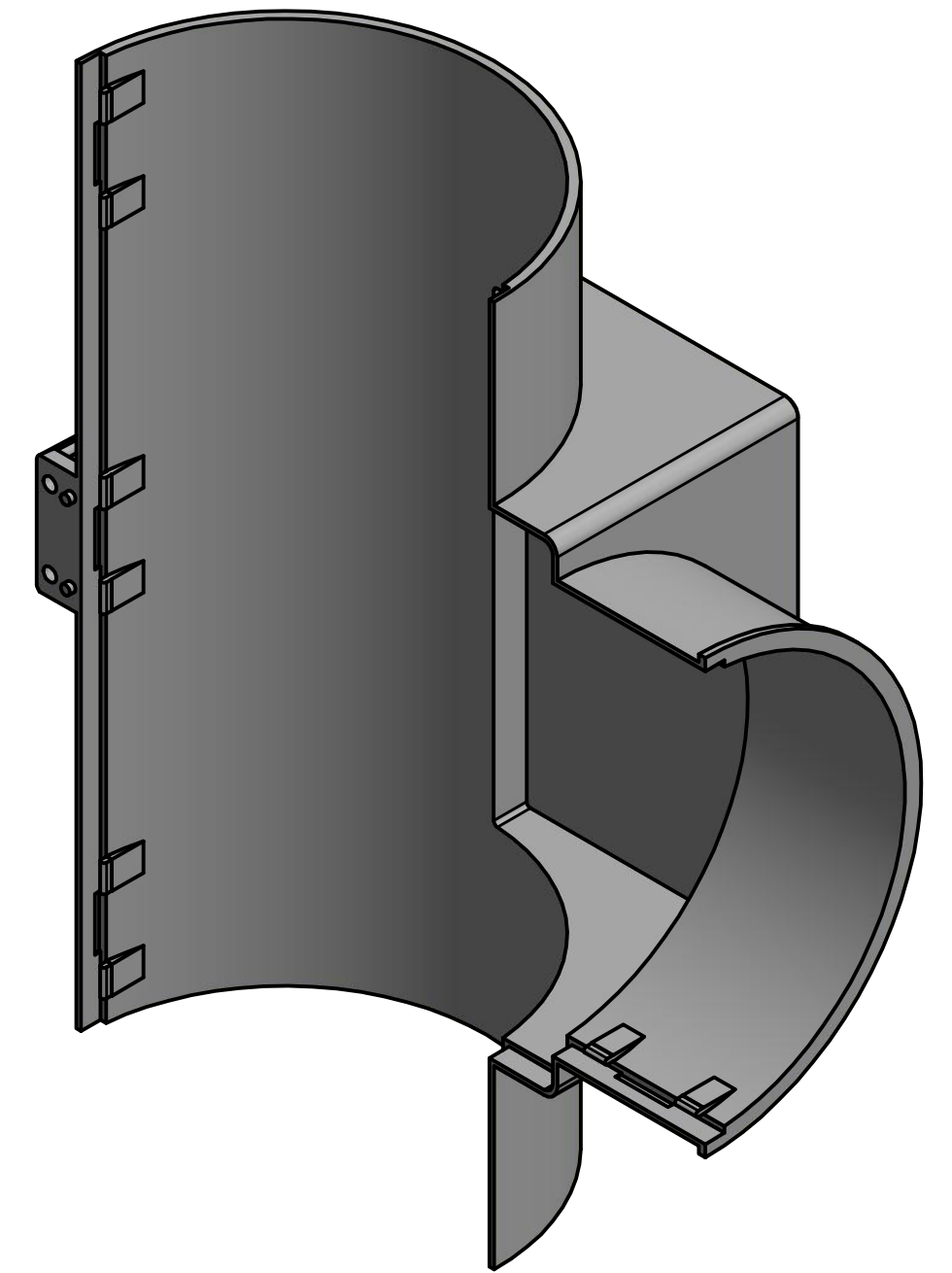
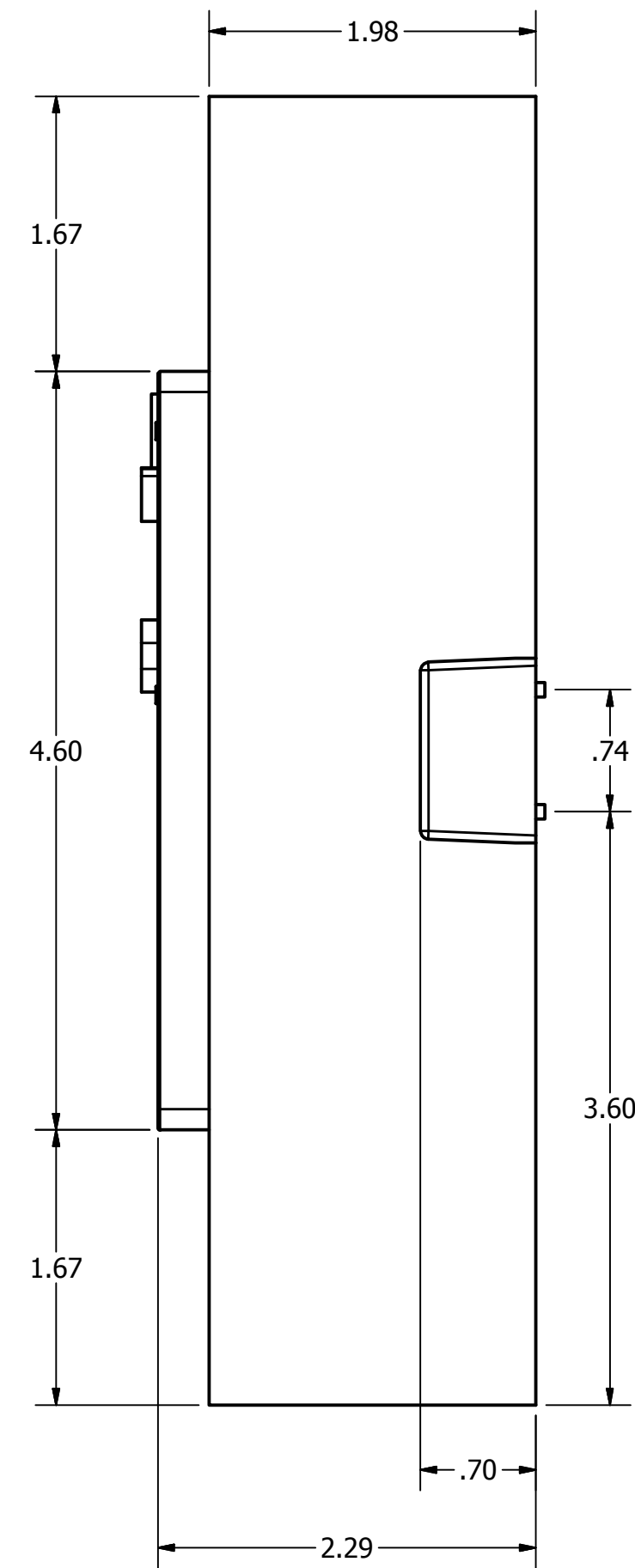
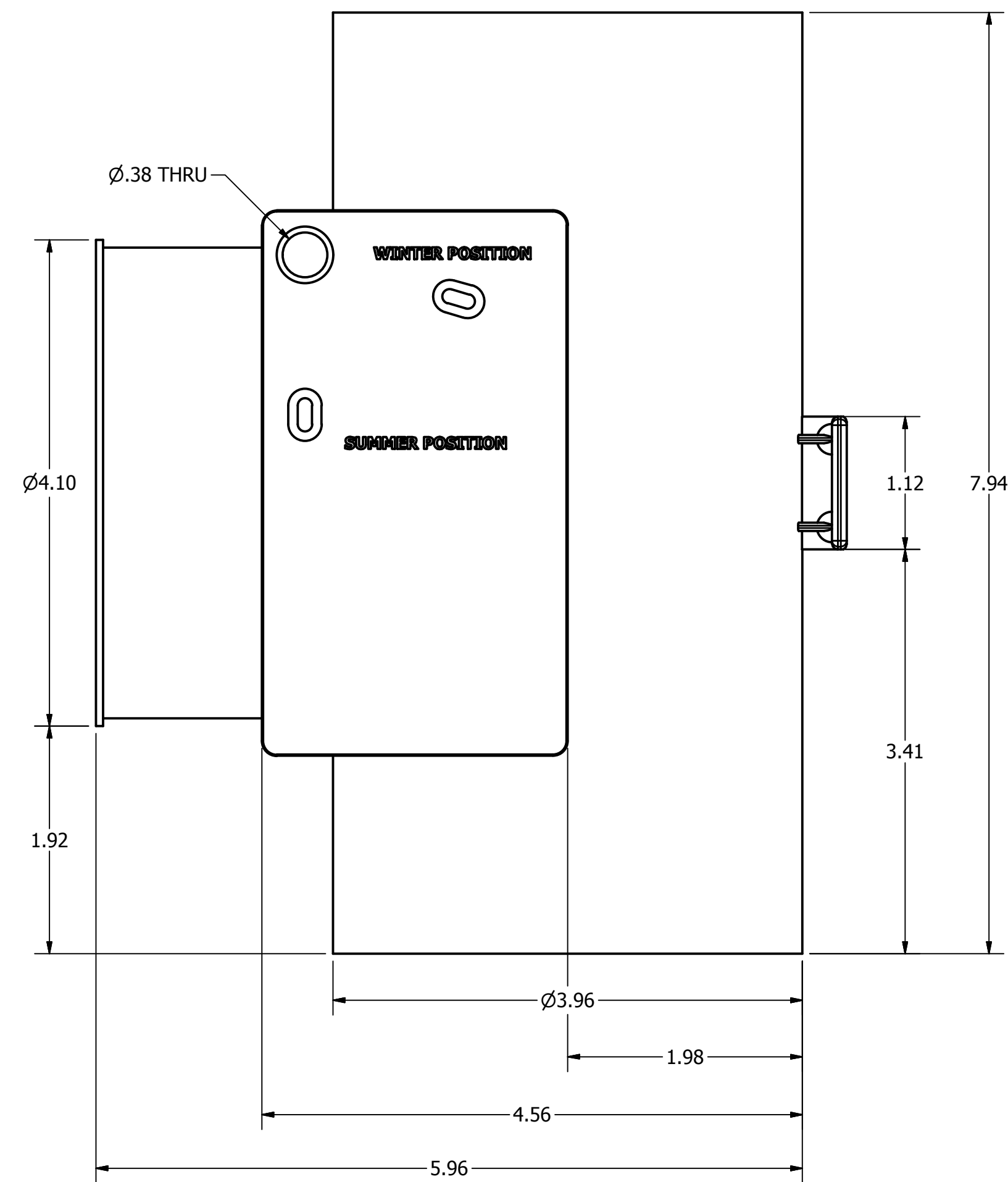
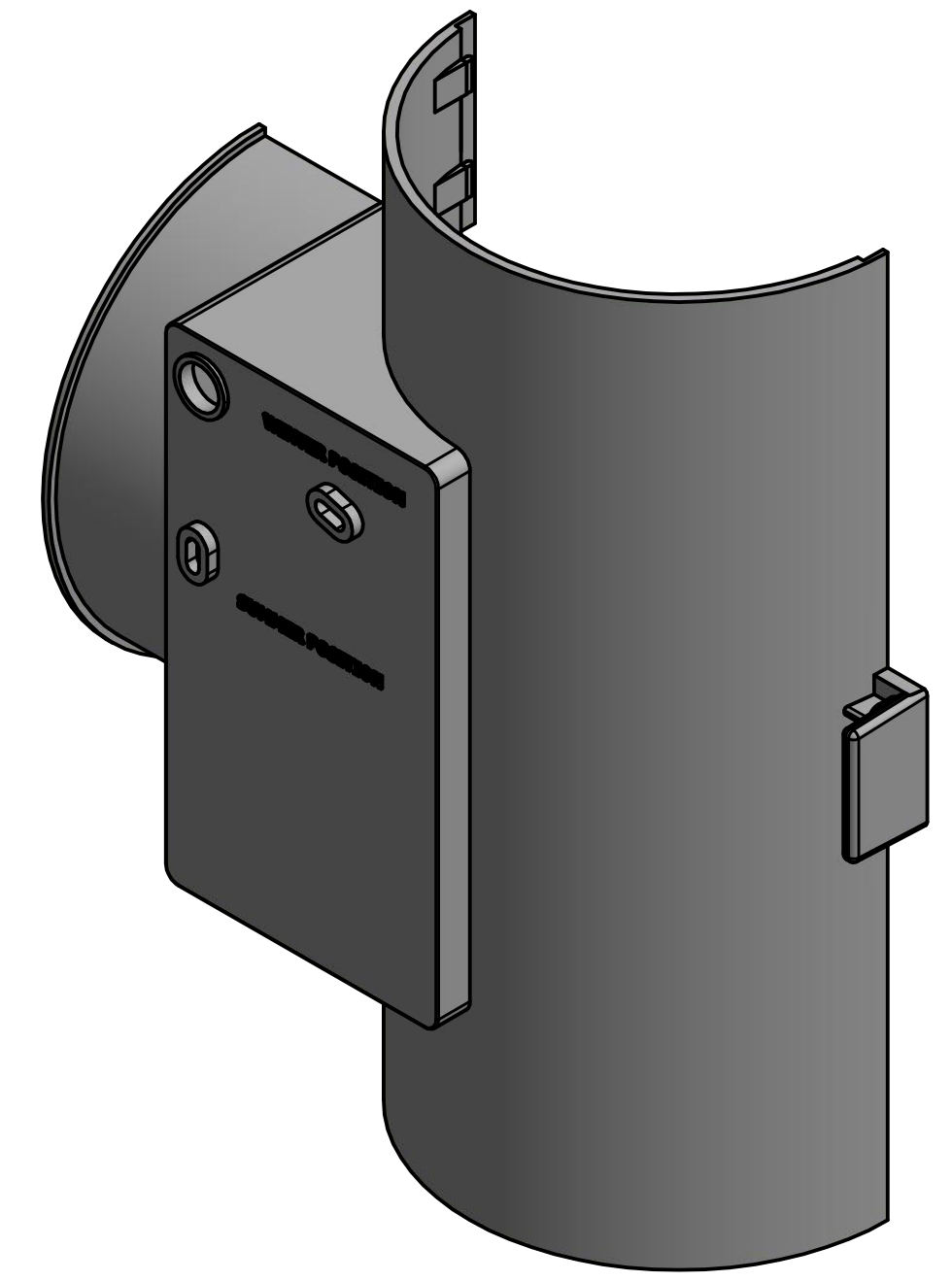
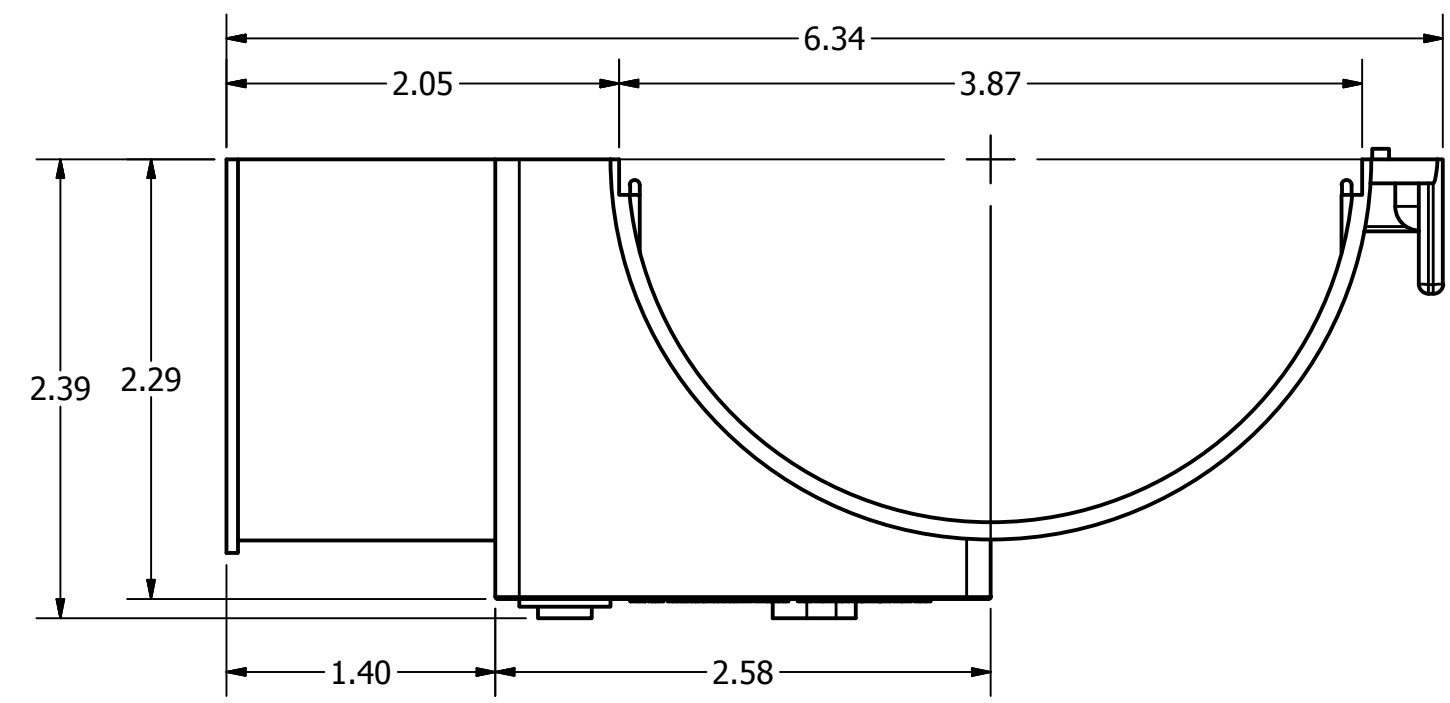
DRAWN J.VALENTI	1/11/2015	LAMBRO INDUSTRIES, INC.		
CHECKED		TITLE		
QA		EXHAUST FLAP		
MFG		SIZE D	DWG NO WINTER-SUMMER VENT	REV
APPROVED		SCALE	SHEET 1 OF 1	



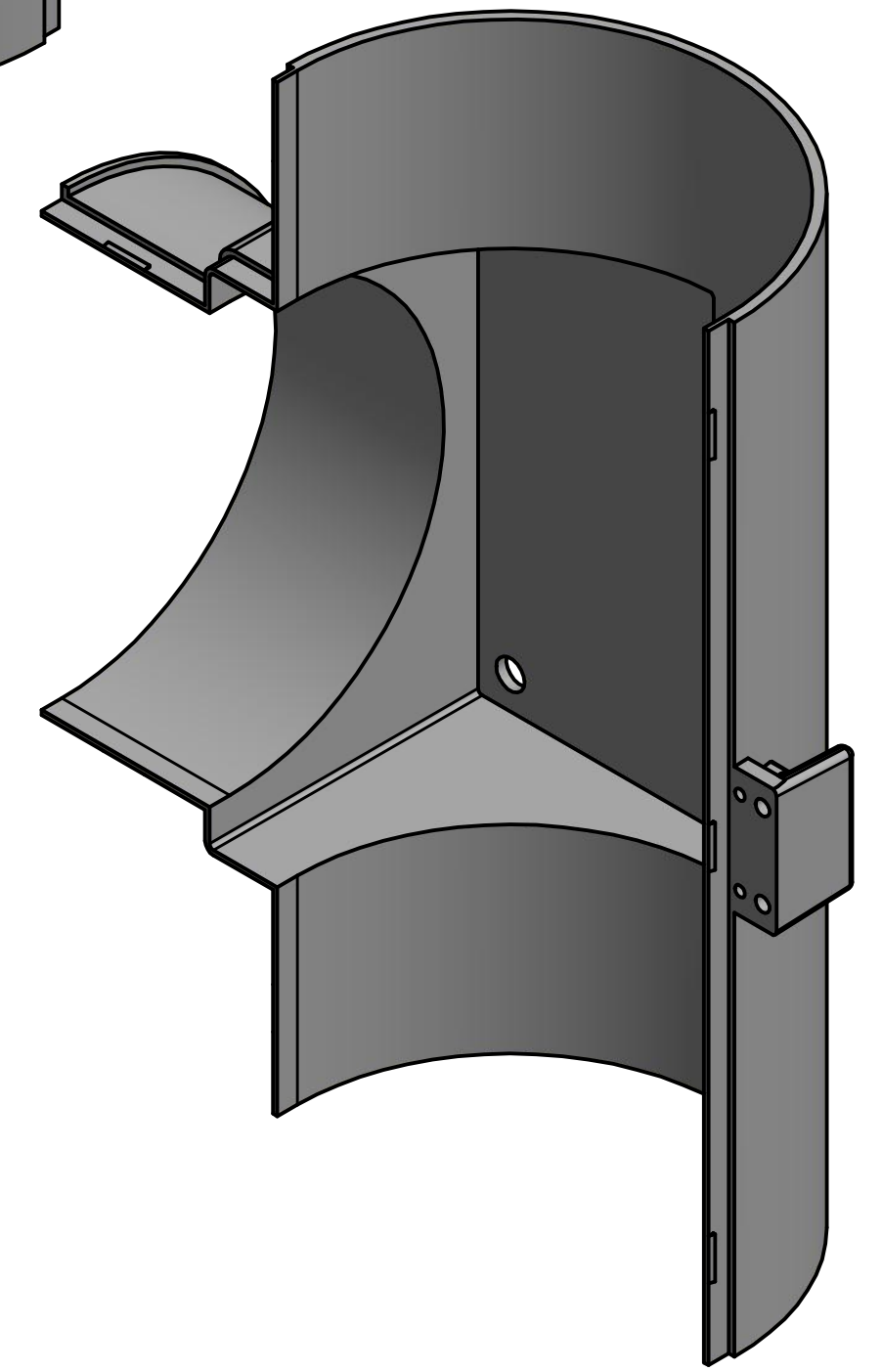
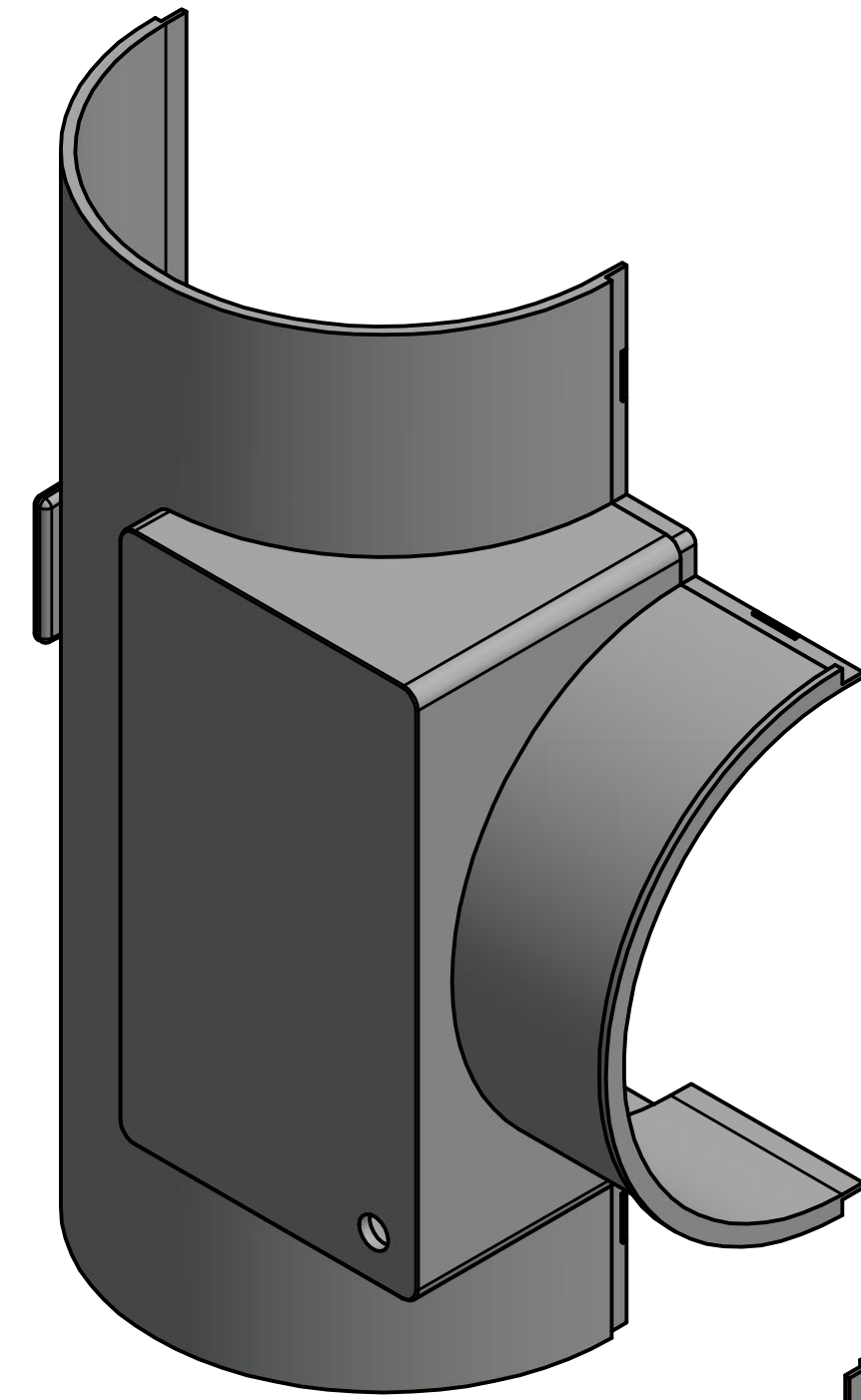
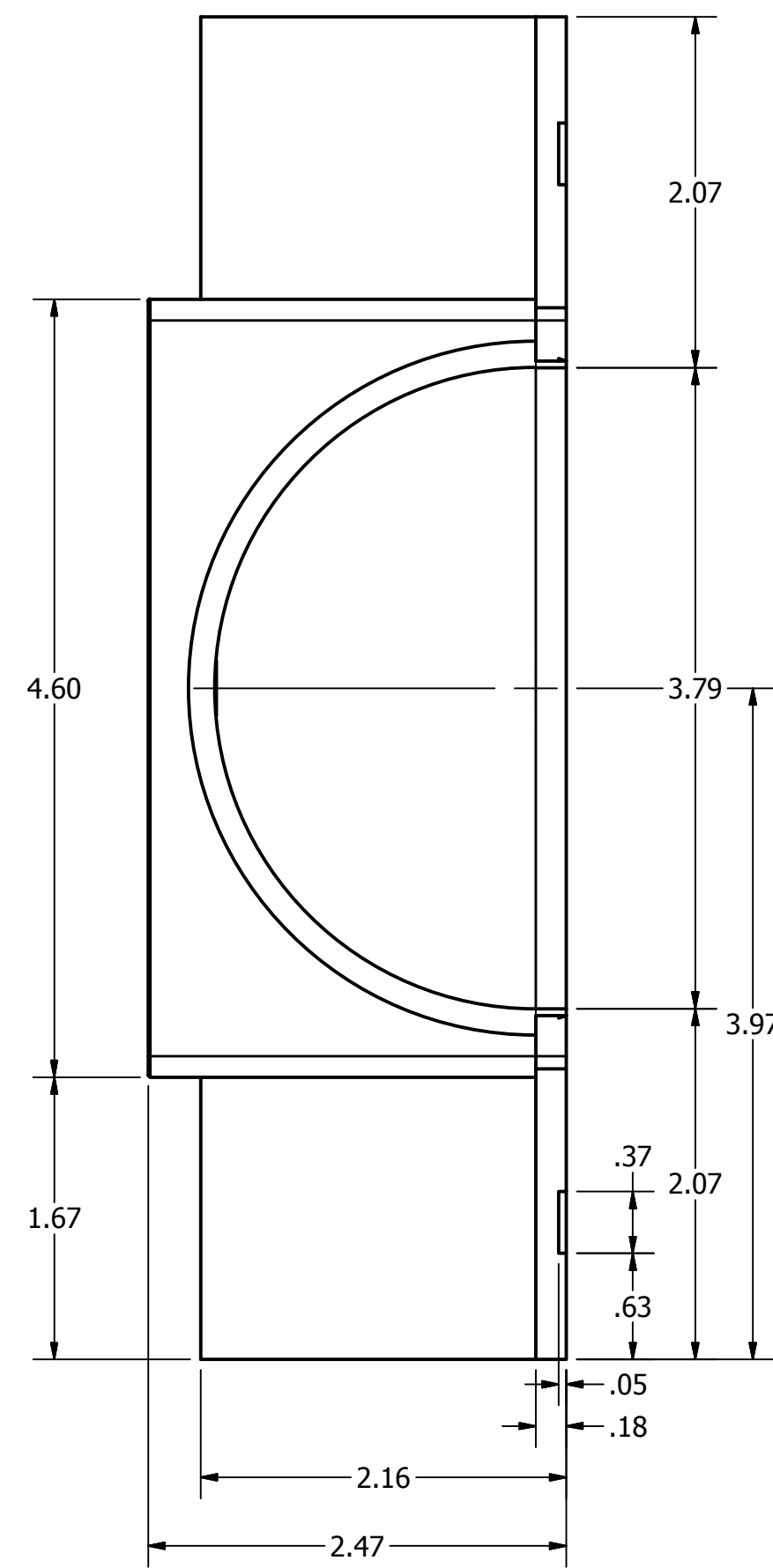
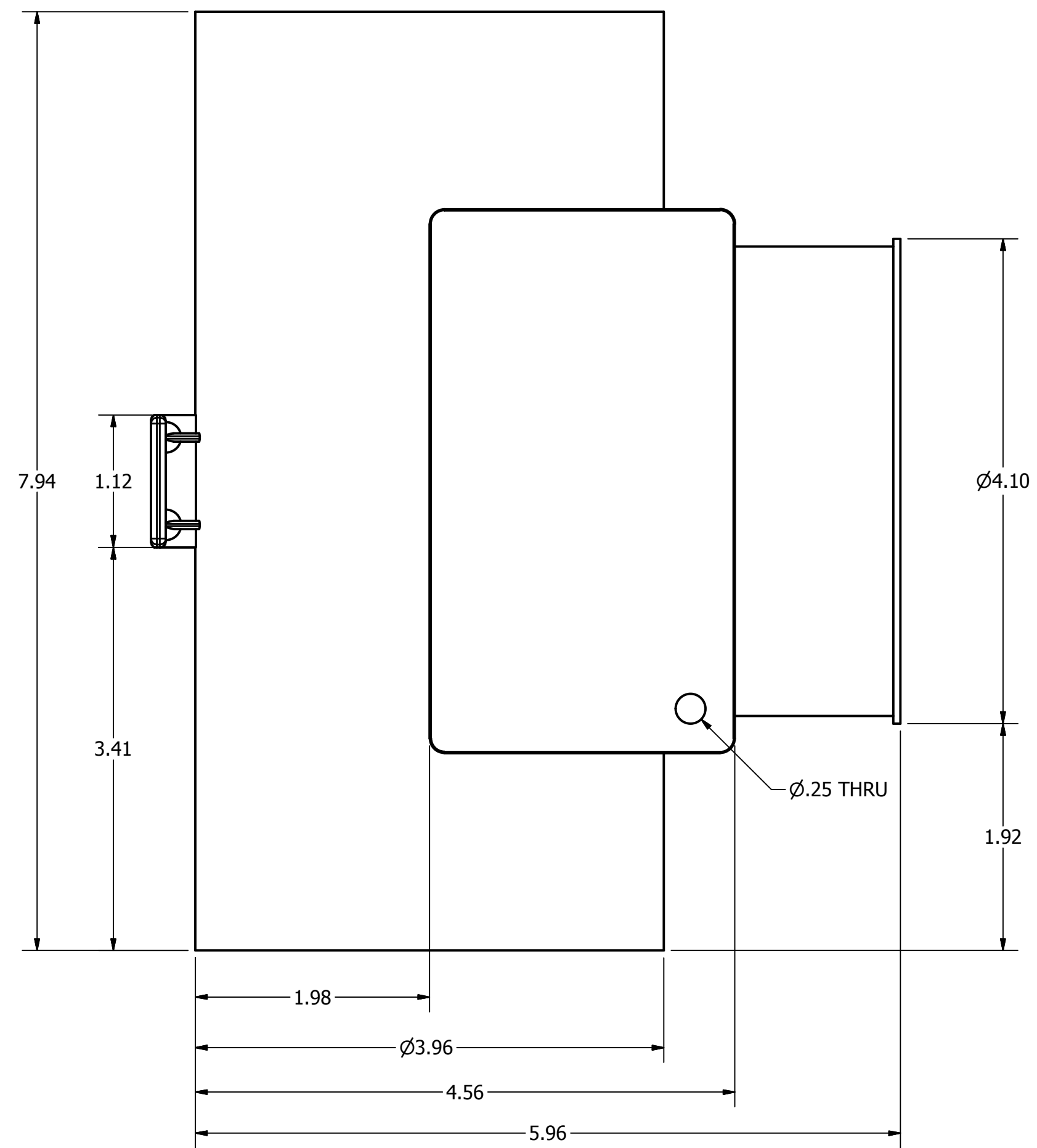
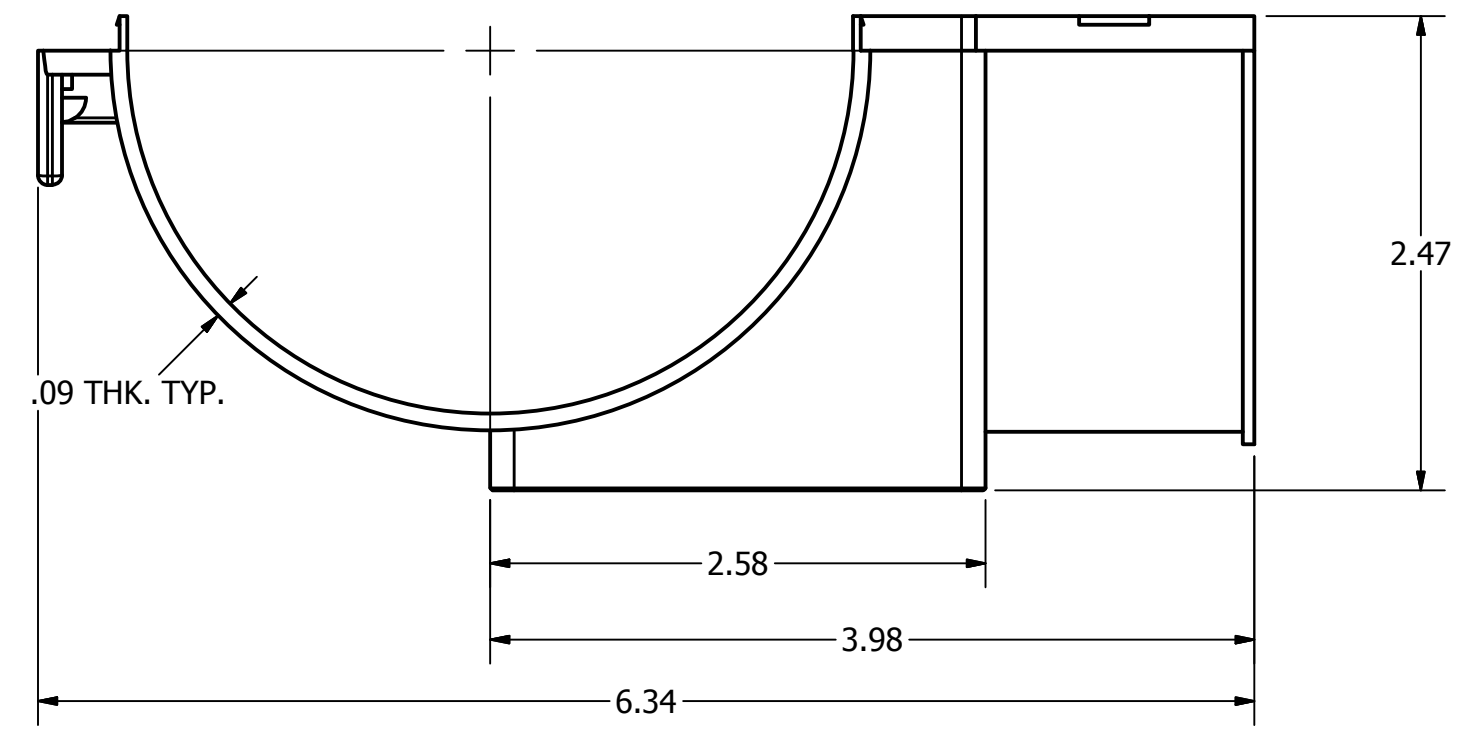
SECTION A-A



DRAWN J.VALENTI	1/11/2015	LAMBRO INDUSTRIES, INC.		
CHECKED		TITLE		
QA		KNOB		
MFG		SIZE C	DWG NO WINTER-SUMMER VENT	REV
APPROVED		SCALE	SHEET 1 OF 1	



DRAWN J.VALENTI	1/11/2015	LAMBRO INDUSTRIES, INC.		
CHECKED		TITLE		
QA		COVER (LEFT)		
MFG		SIZE	DWG NO	REV
APPROVED		D	WINTER-SUMMER VENT	
		SCALE	SHEET 1 OF 1	



DRAWN J.VALENTI	1/11/2015	LAMBRO INDUSTRIES, INC.		
CHECKED		TITLE		
QA		COVER (RIGHT)		
MFG		SIZE	DWG NO	REV
APPROVED		D	WINTER-SUMMER VENT	
		SCALE	SHEET 1 OF 1	