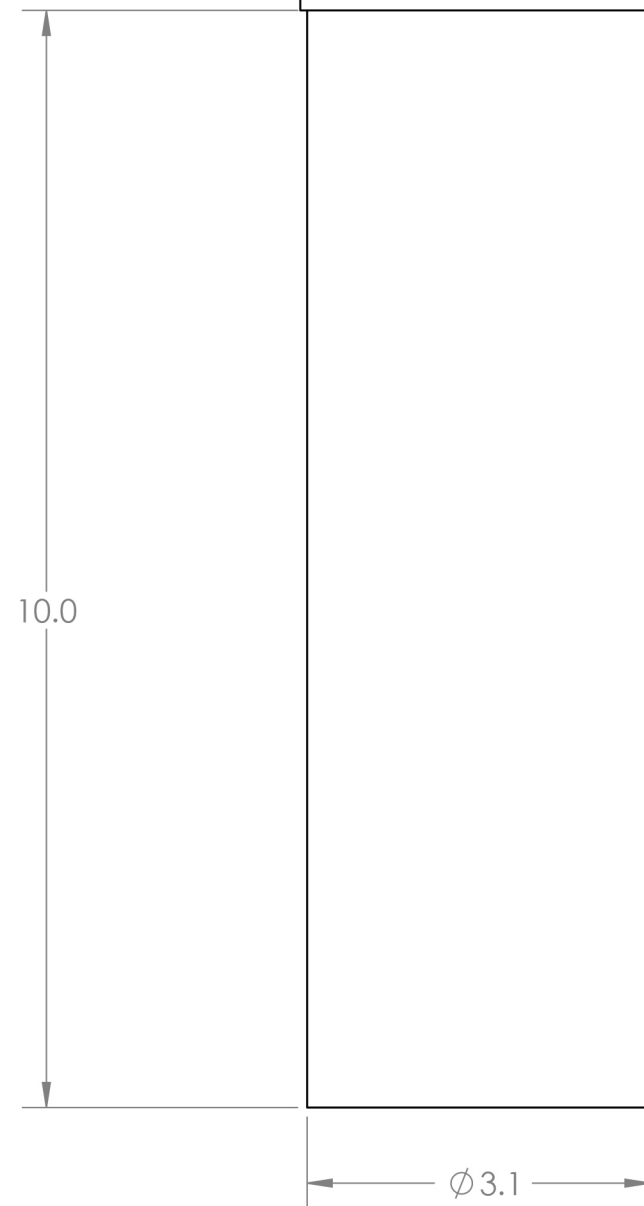
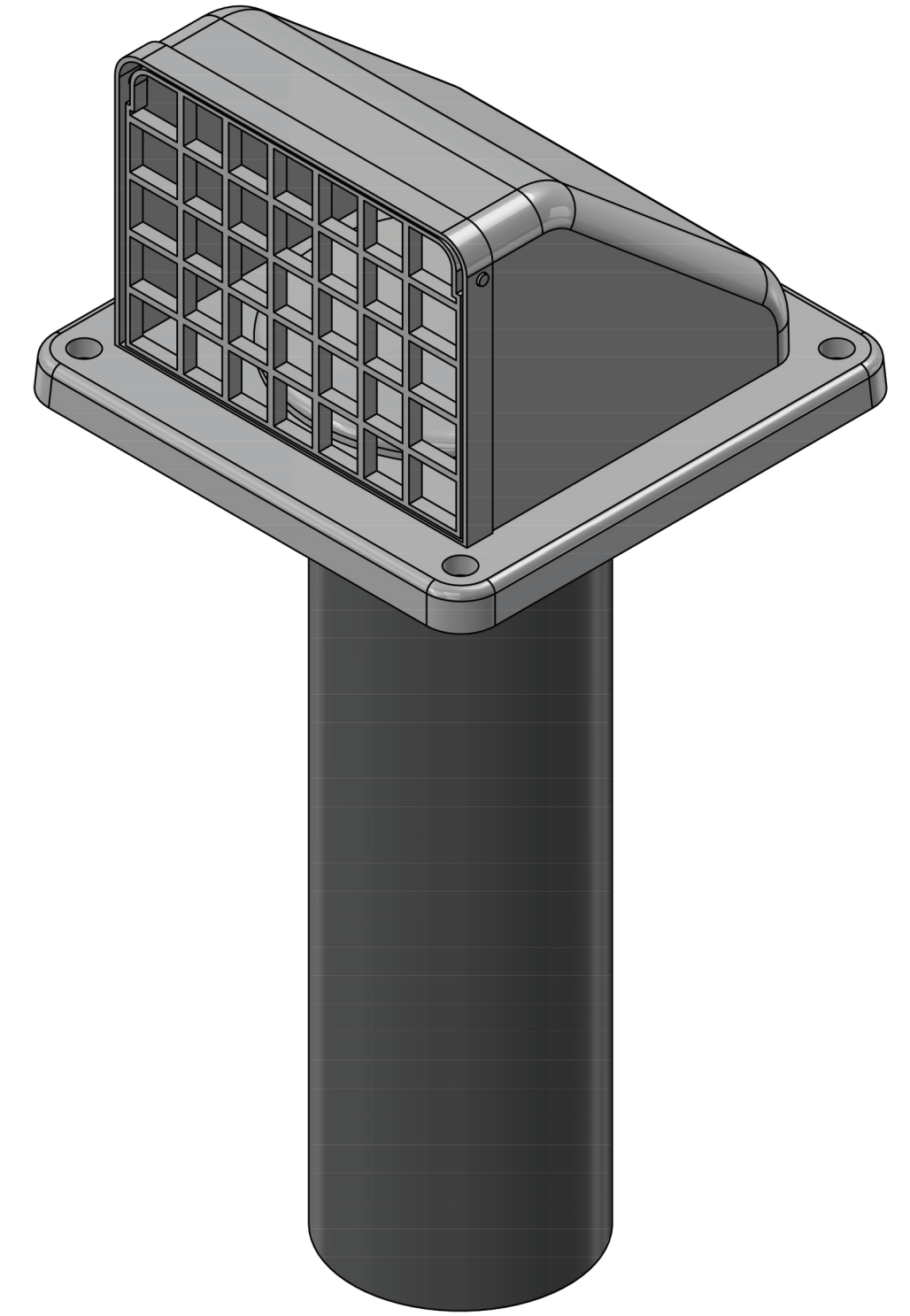
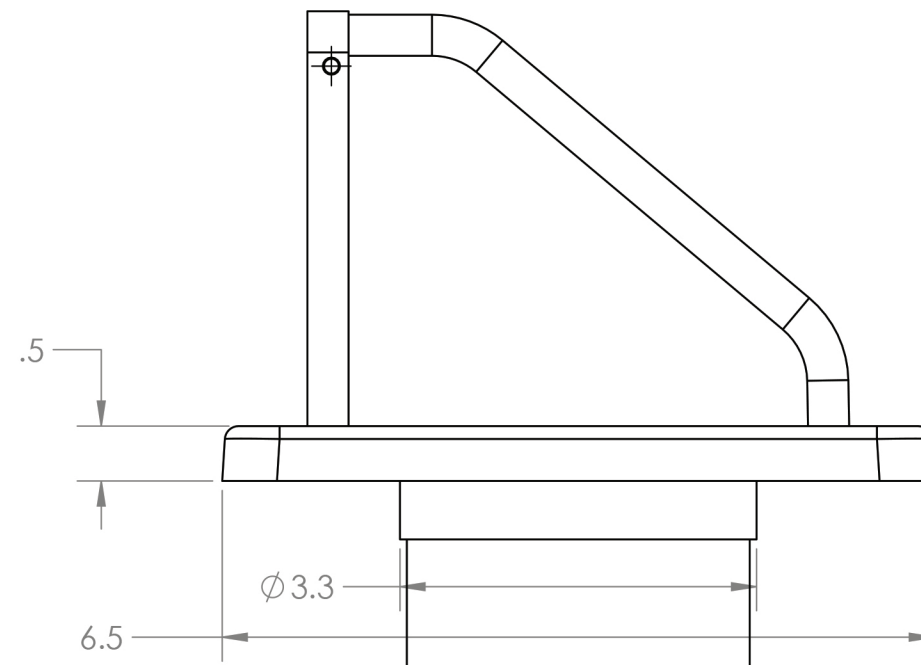
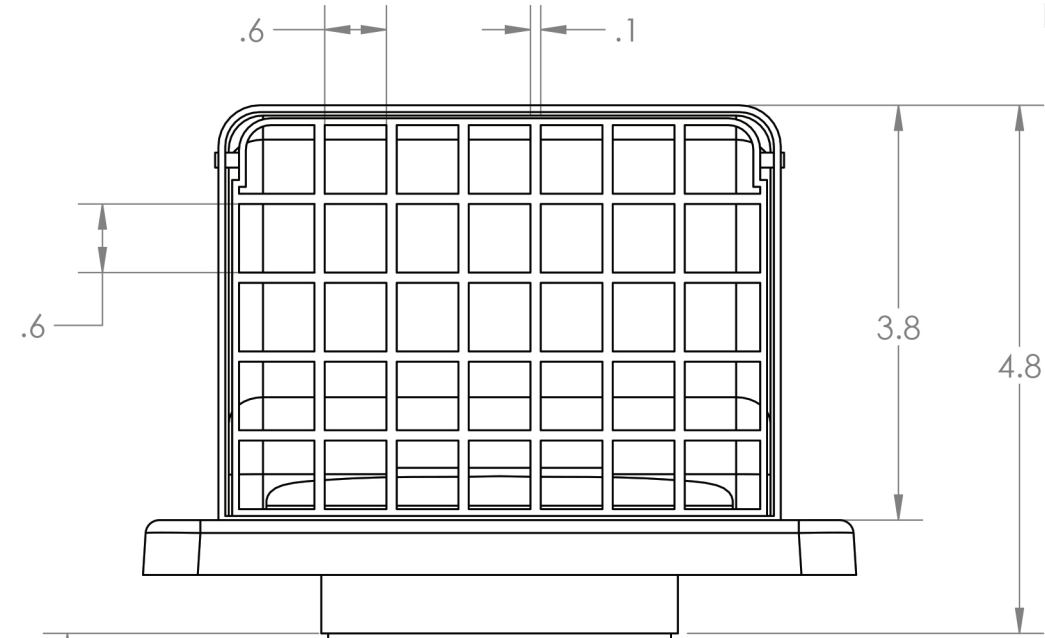
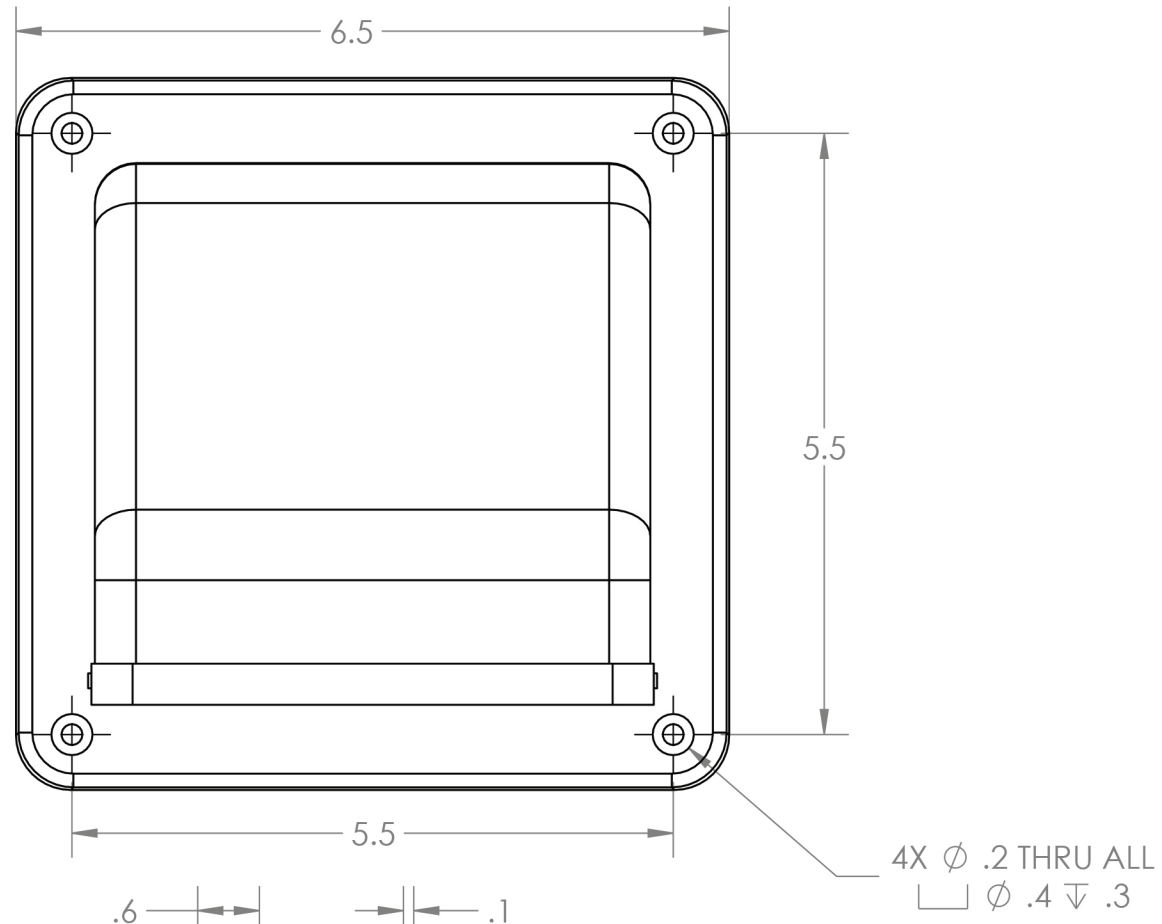


4

3

2

1



**PROPRIETARY AND CONFIDENTIAL**  
THE INFORMATION CONTAINED IN THIS DRAWING IS THE SOLE PROPERTY OF LAMBRO. ANY REPRODUCTION IN PART OR AS A WHOLE WITHOUT THE WRITTEN PERMISSION OF LAMBRO IS PROHIBITED.

UNLESS OTHERWISE SPECIFIED:		NAME	DATE
DIMENSIONS ARE IN INCHES		DRAWN	
TOLERANCES:		CHECKED	
FRACTIONAL: 1/16		ENG APPR.	
ANGULAR: MACH: ± 1 BEND: ± .01		MFG APPR.	
TWO PLACE DECIMAL: ± 0.01		Q.A.	
THREE PLACE DECIMAL: ± 0.005		COMMENTS:	
INTERPRET GEOMETRIC TOLERANCING PER:		Net Free Area (NFA)	
MATERIAL		Without Screen: 18 sq. in.	
FINISH		With Screen: 13 sq. in.	
NEXT ASSY	USED ON	DO NOT SCALE DRAWING	
APPLICATION			

**LAMBRO** Lambro Industries, Inc.  
115 Albany Ave.  
Amityville, NY 11701  
(631) 842-8088  
www.lambro.net

TITLE: 4" Plastic Wall Exhaust Hood Vent  
Damper - Removable Screen  
11" Aluminum Pipe  
Made of polymer resin material with UV inhibitor used to help prevent the premature fading of vent

SIZE DWG. NO. REV  
**C 222W**

SCALE: 1:1.7 WEIGHT: SHEET 1 OF 1



4

3

2

1