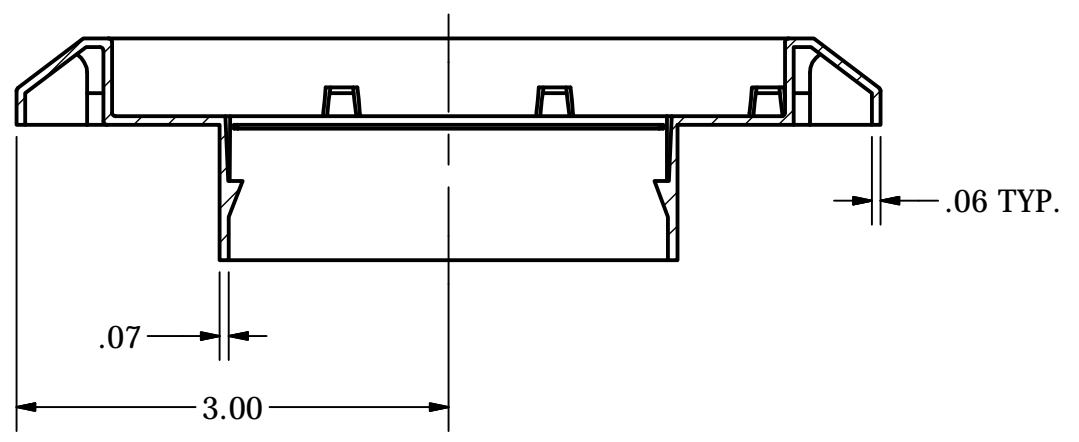
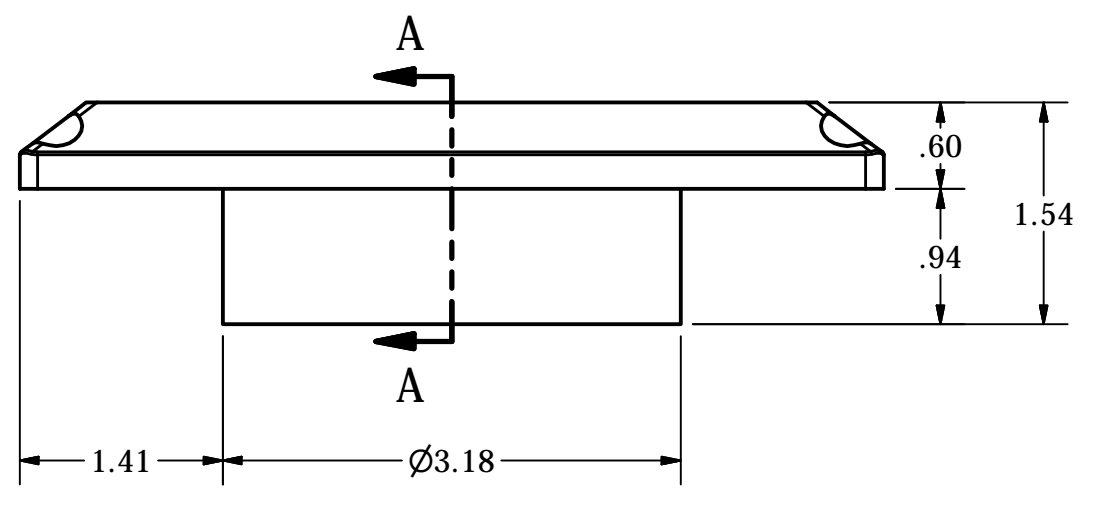
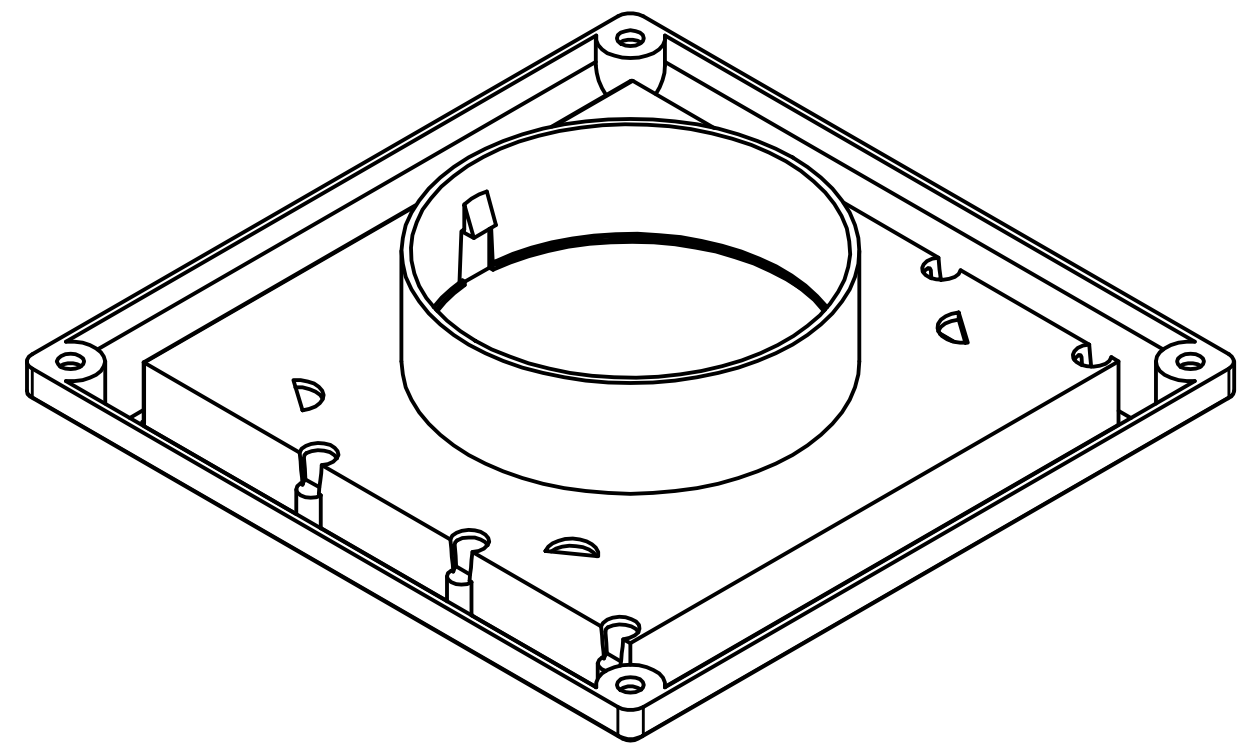
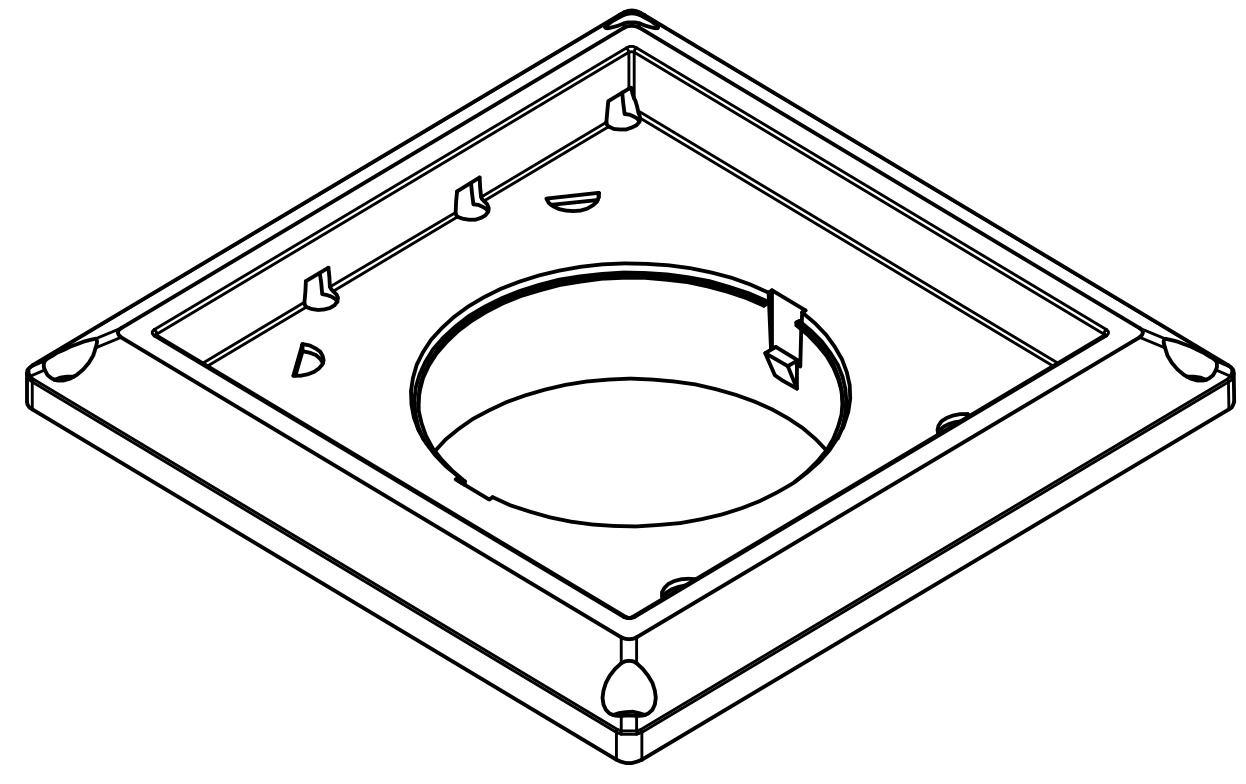
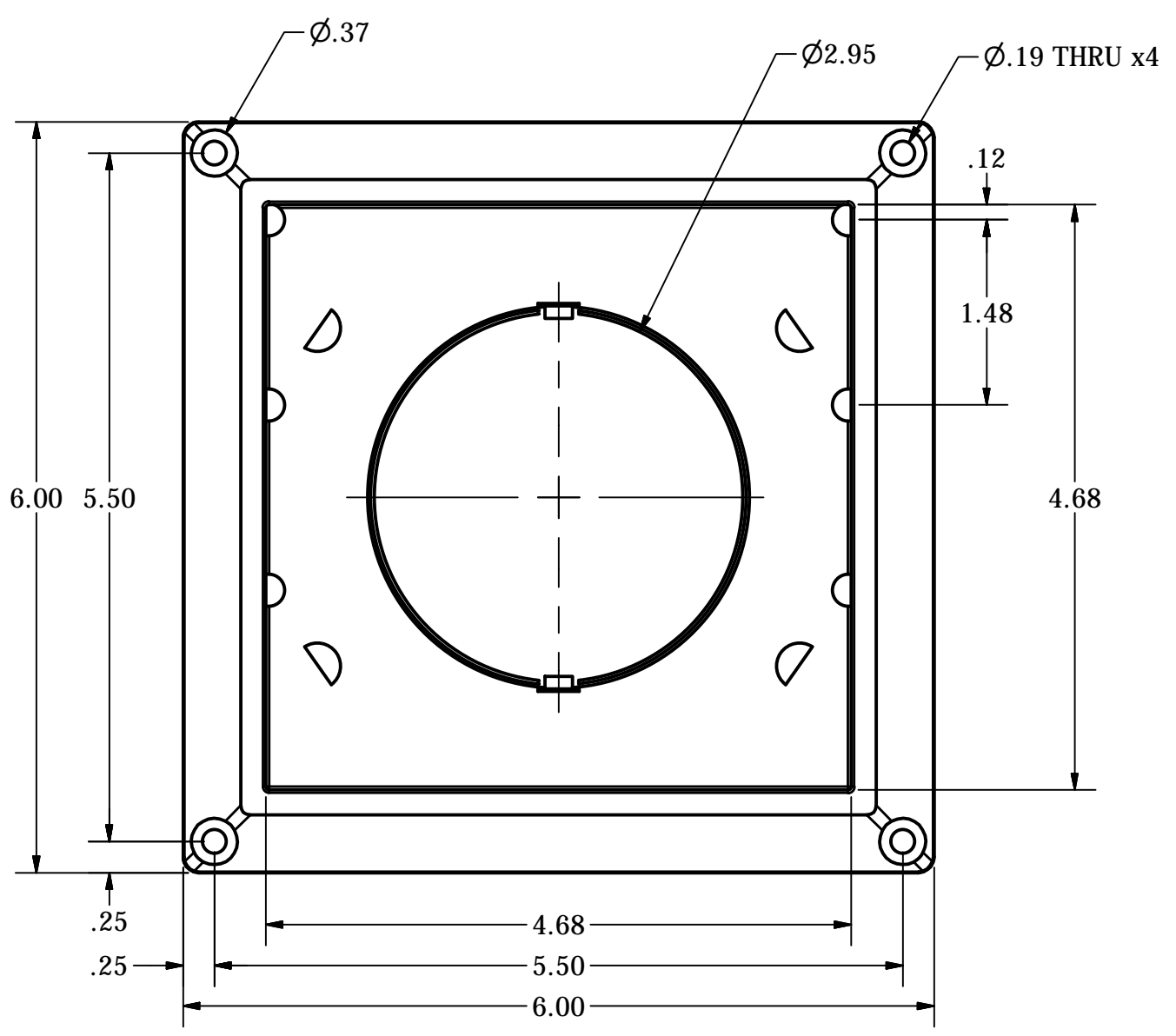


SECTION A-A

DRAWN BY J. VALENTI		3/26/2017		LAMBRO INDUSTRIES, INC.	
TITLE 290W - 3FLAP WHITE VENT					
SIZE D	DWG NO 290W		REV A		
NOT TO SCALE			SHEET 1 OF 1		





SECTION A-A

DRAWN BY
J. VALENTI 3/26/2017

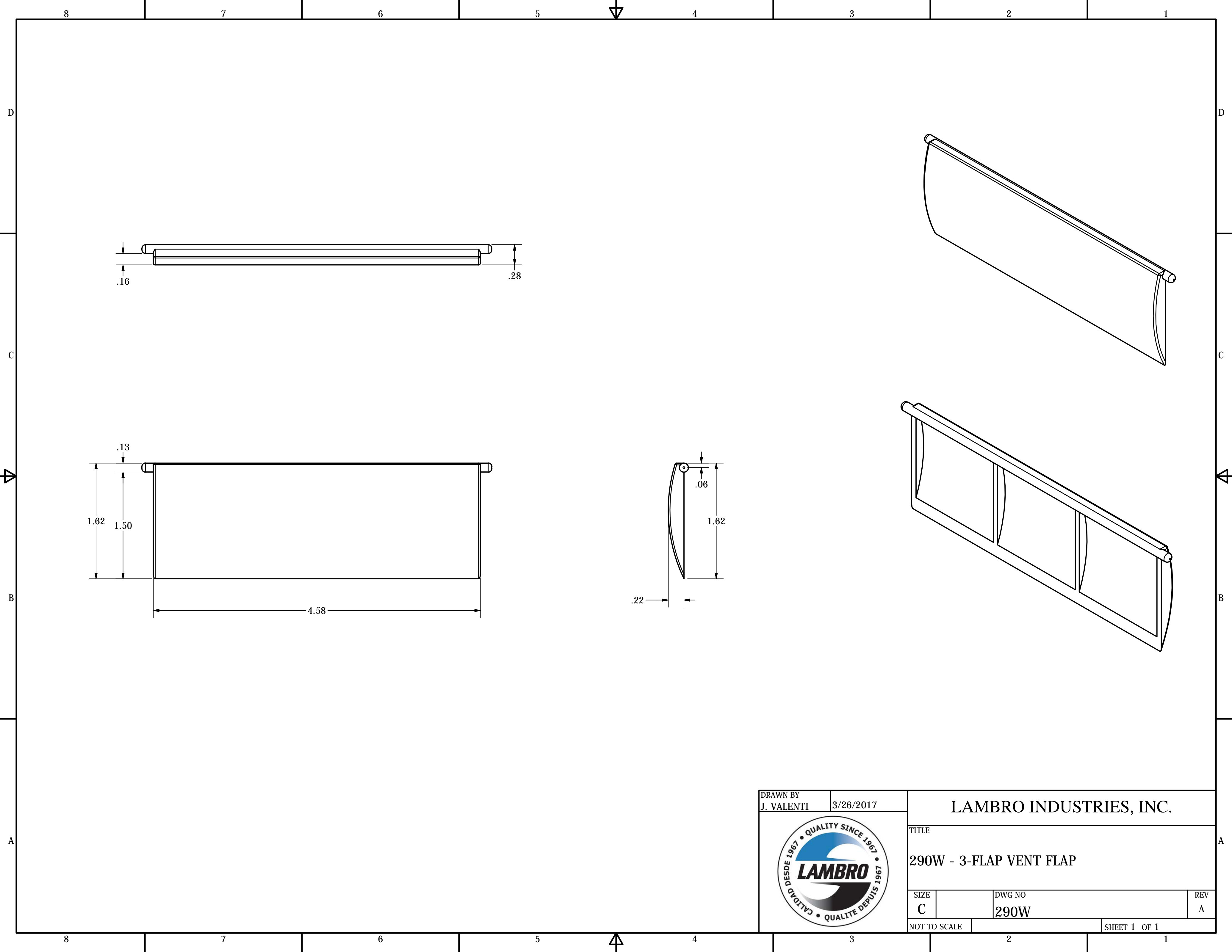


LAMBRO INDUSTRIES, INC.

TITLE
290W - 3FLAP WHITE VENT

SIZE C	DWG NO 290W	REV A
-----------	----------------	----------

NOT TO SCALE SHEET 1 OF 1



DRAWN BY
J. VALENTI

3/26/2017

LAMBRO INDUSTRIES, INC.

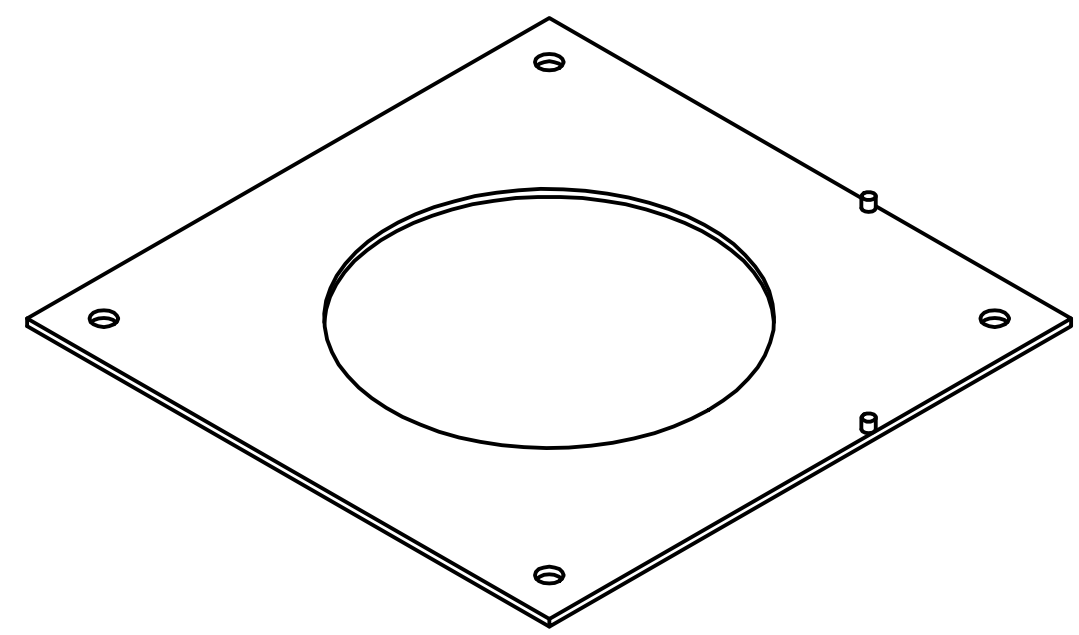
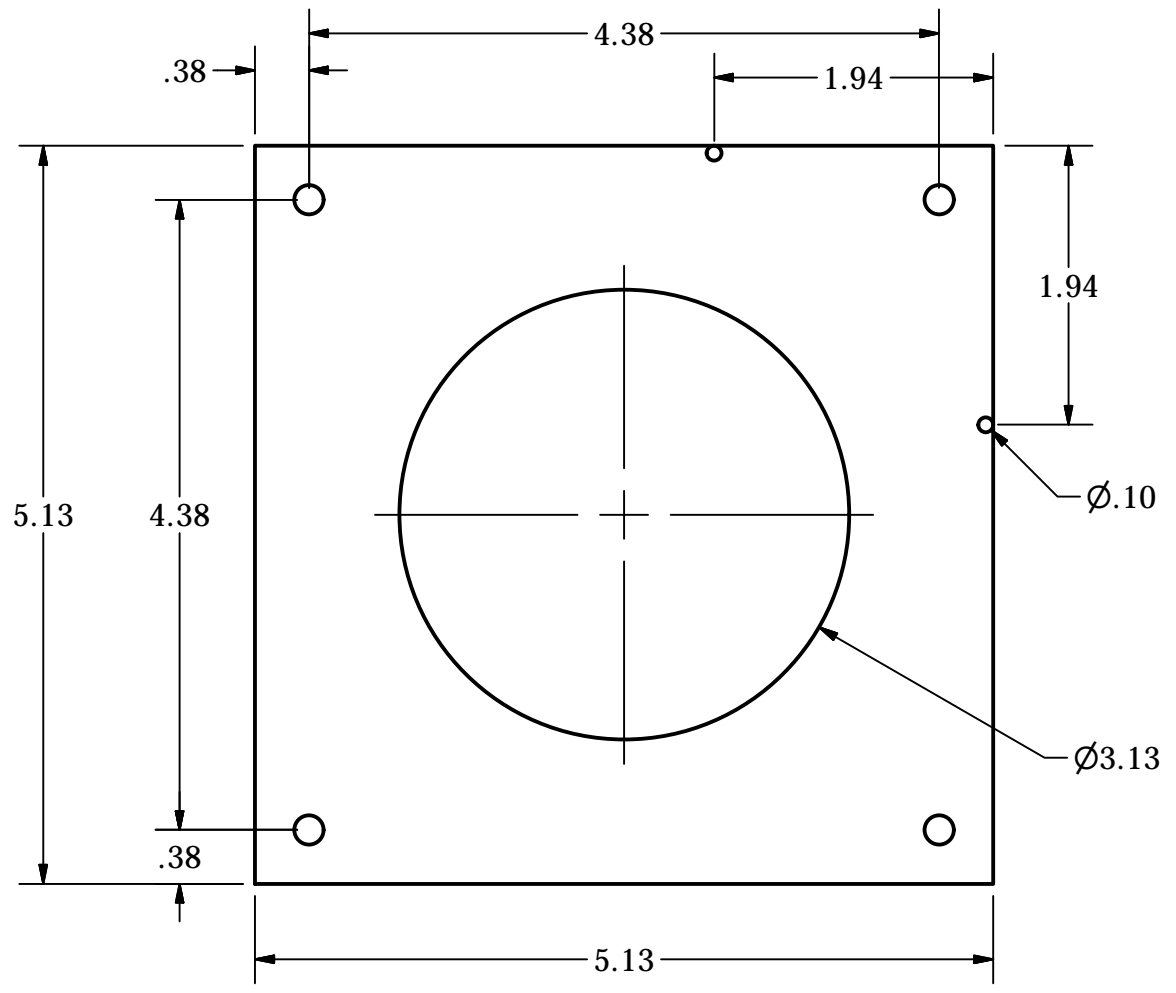


TITLE			
290W - 3-FLAP VENT FLAP			
SIZE	DWG NO	REV	
C	290W	A	
NOT TO SCALE		SHEET 1 OF 1	

8 7 6 5 4 3 2 1

D

D



C

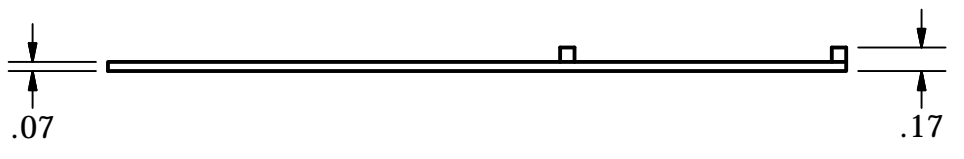
C

B


B

A

A



8 7 6 5 4 3 2 1

DRAWN BY J. VALENTI		3/26/2017		LAMBRO INDUSTRIES, INC.					
								TITLE	
				290W - SUPPORT GUARD				SIZE	
NOT TO SCALE				B		290W		A	
SHEET 1 OF 1									