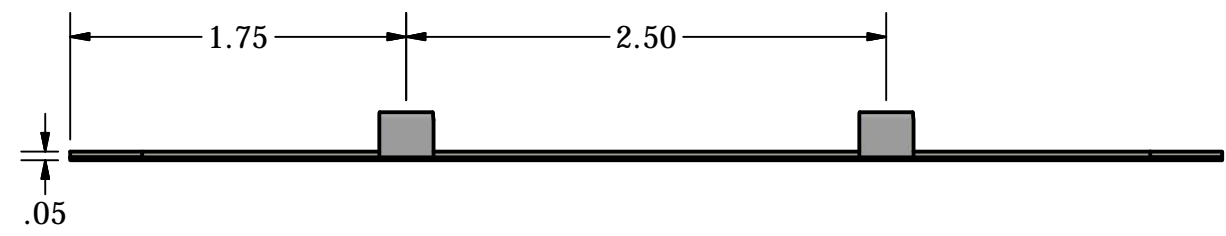
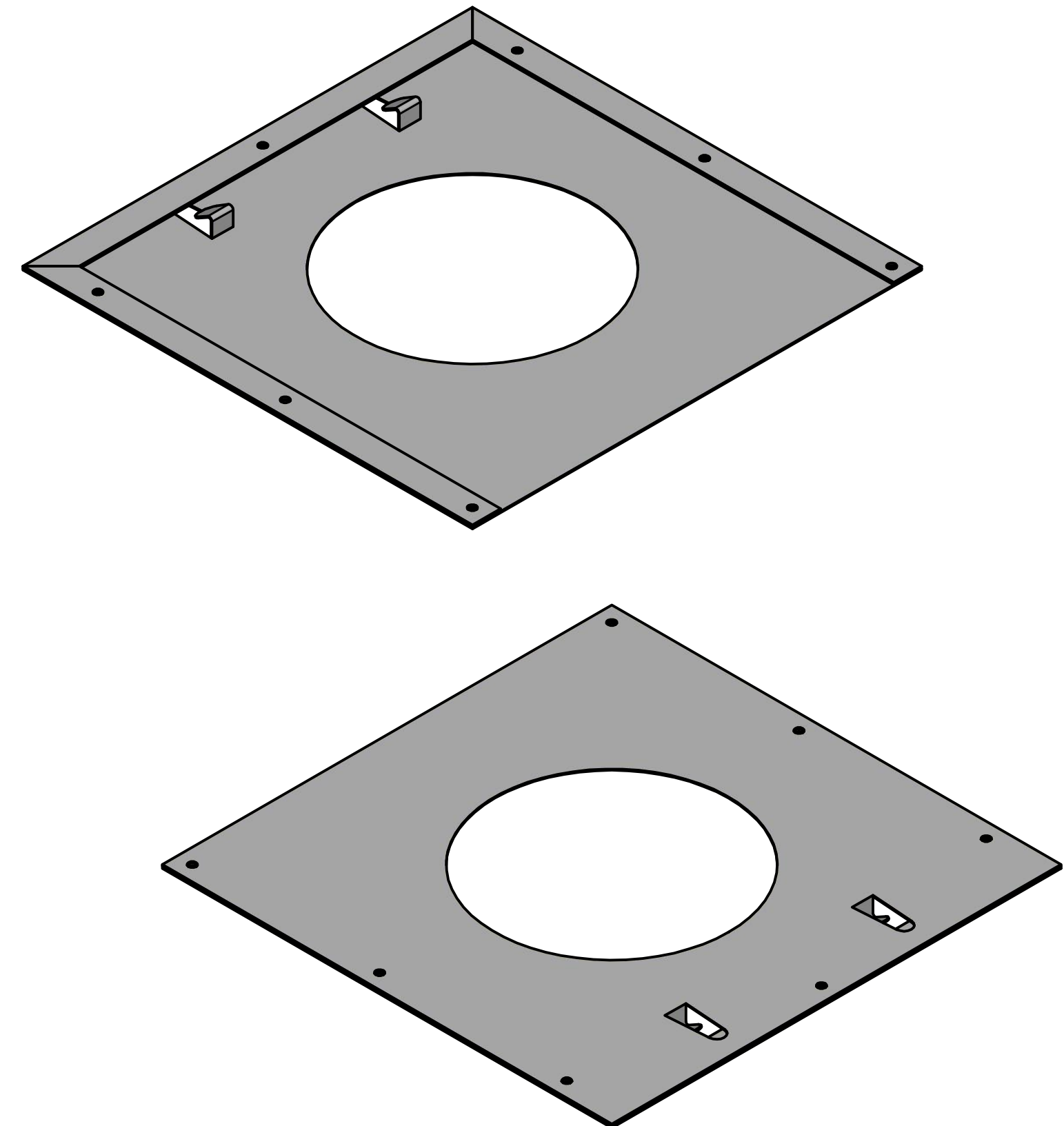
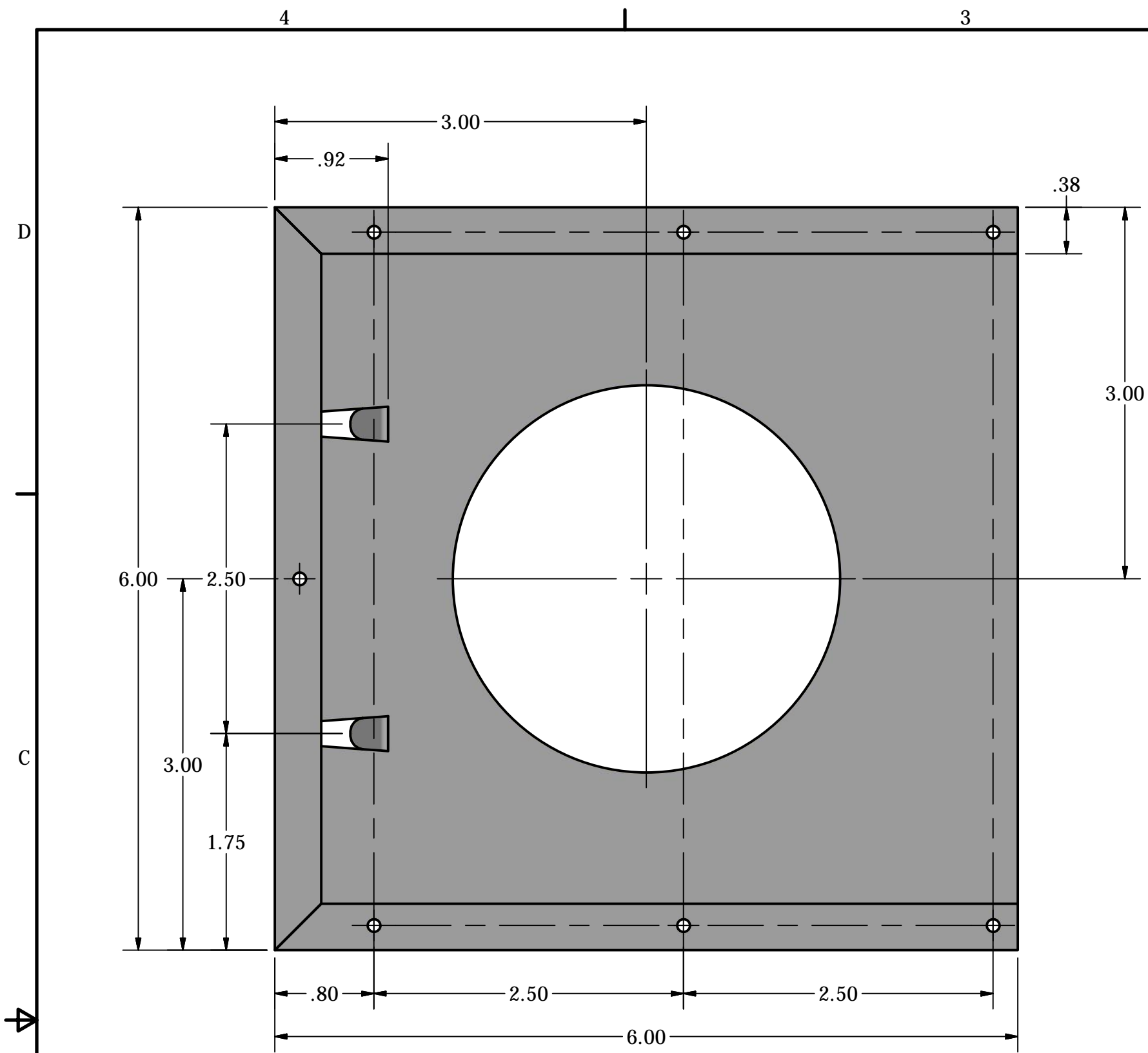


MATERIAL: 24-GAUGE ALUMINUM

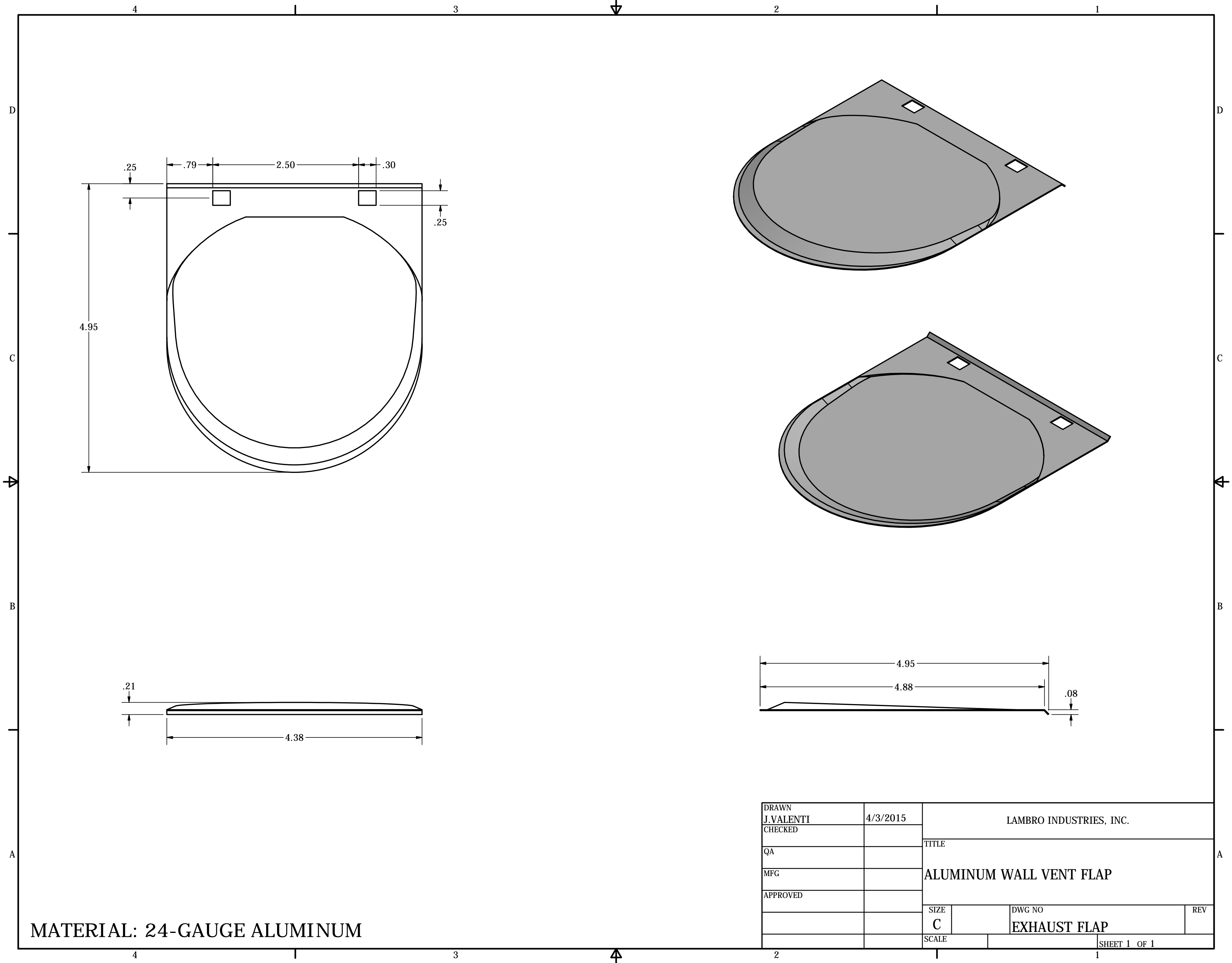


DRAWN	J.VALENTI	4/3/2015	LAMBRO INDUSTRIES, INC.		
CHECKED			TITLE		
QA			ALUMINUM VENT ASSEMBLY		
MFG			SIZE	DWG NO	REV
APPROVED			D	VENT ASSEMBLY	
			SCALE		SHEET 1 OF 1



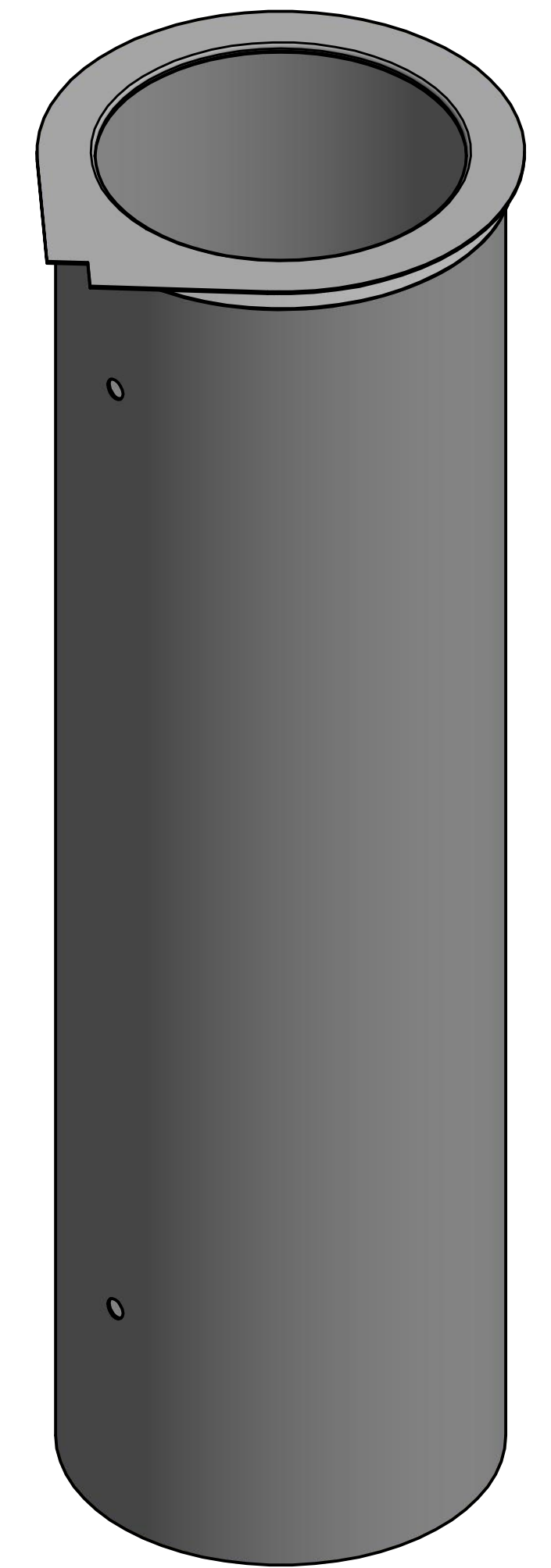
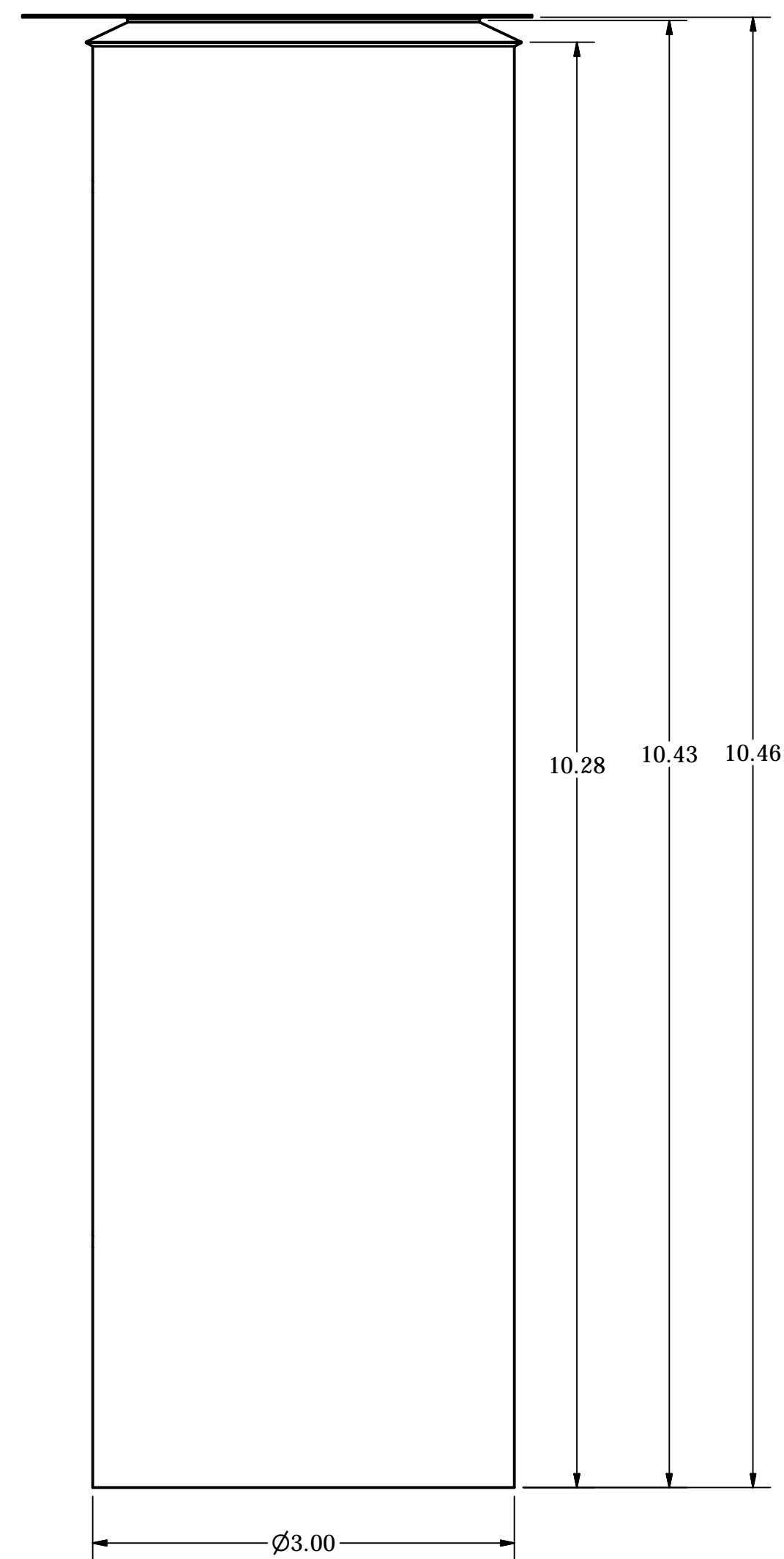
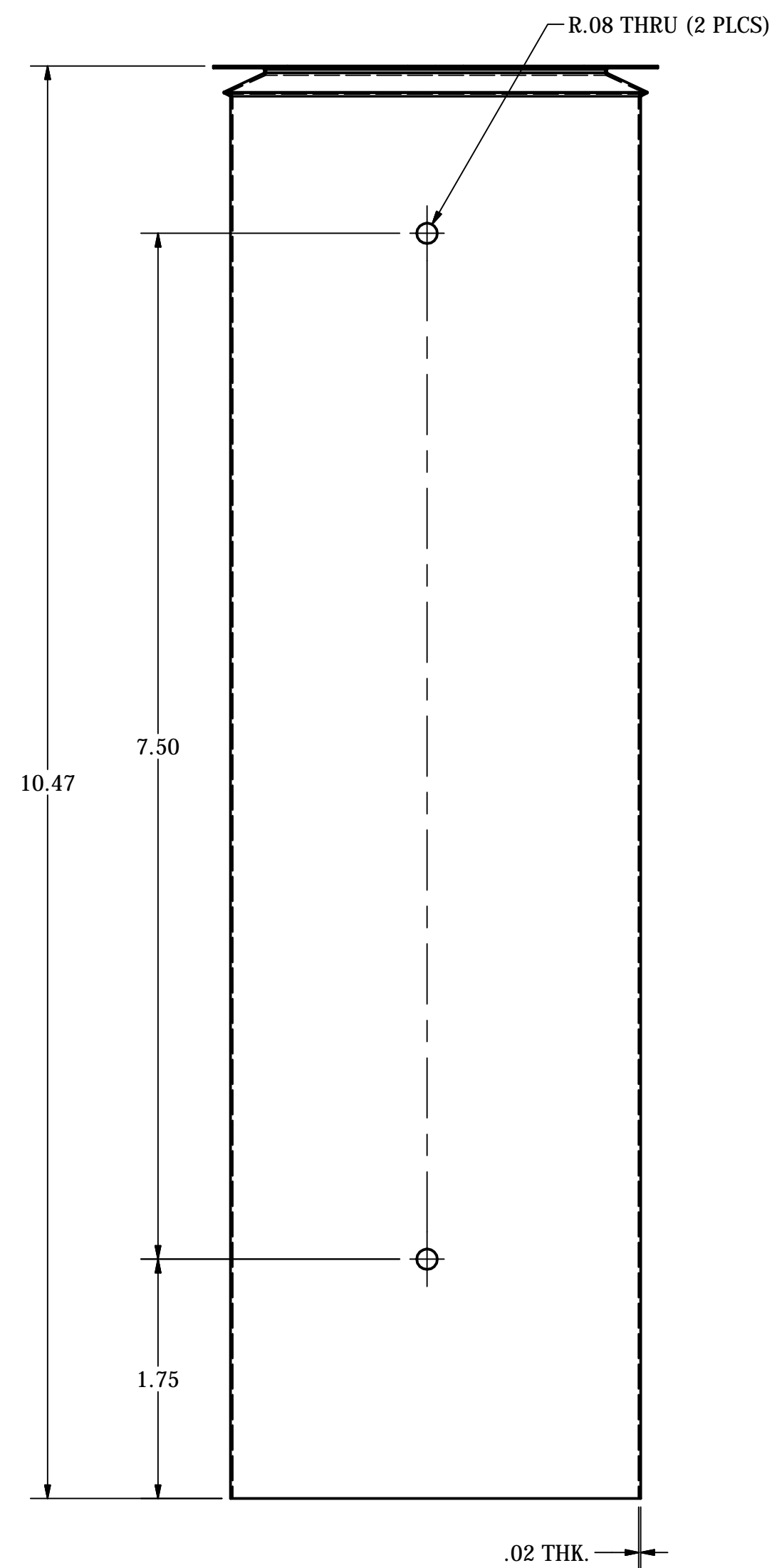
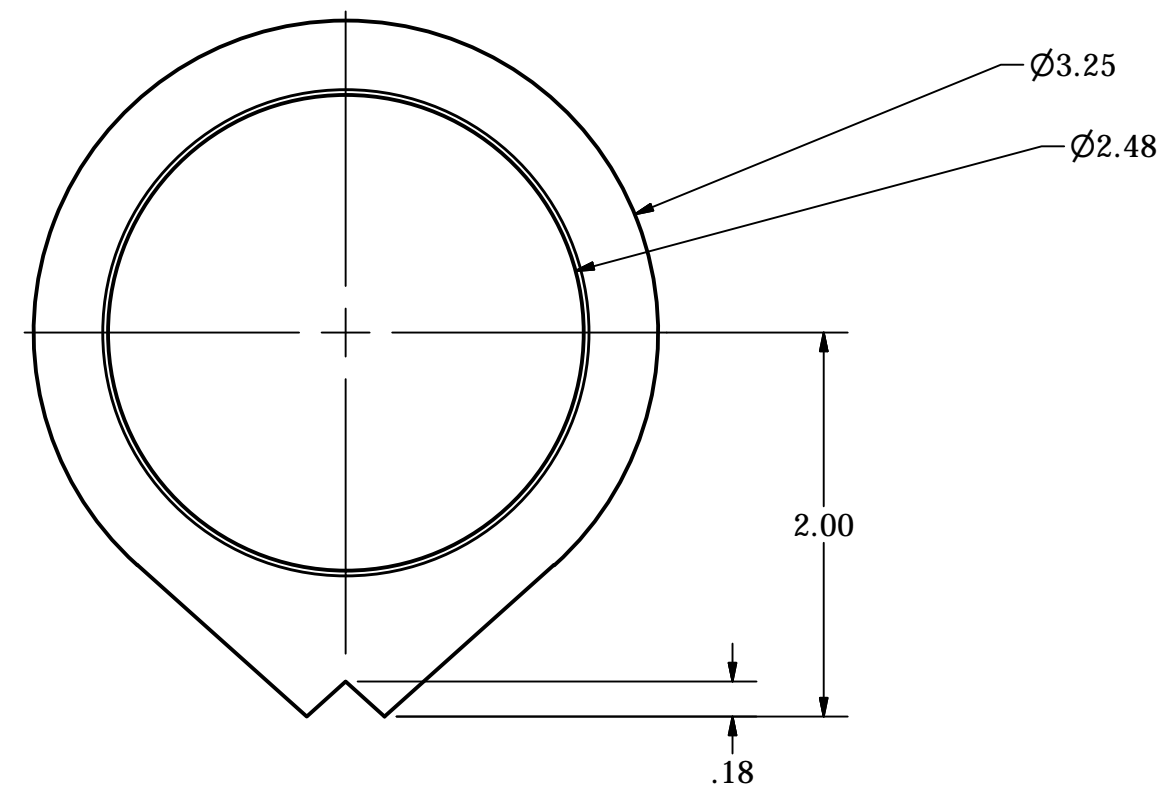
MATERIAL: 24-GAUGE ALUMINU

DRAWN J. VALENTI	4/3/2015	LAMBRO INDUSTRIES, INC.		
CHECKED		TITLE		
QA		ALUMINUM WALL VENT BASE		
MFG		SIZE C	DWG NO VENT BASE	REV
APPROVED		SCALE	SHEET 1 OF 1	



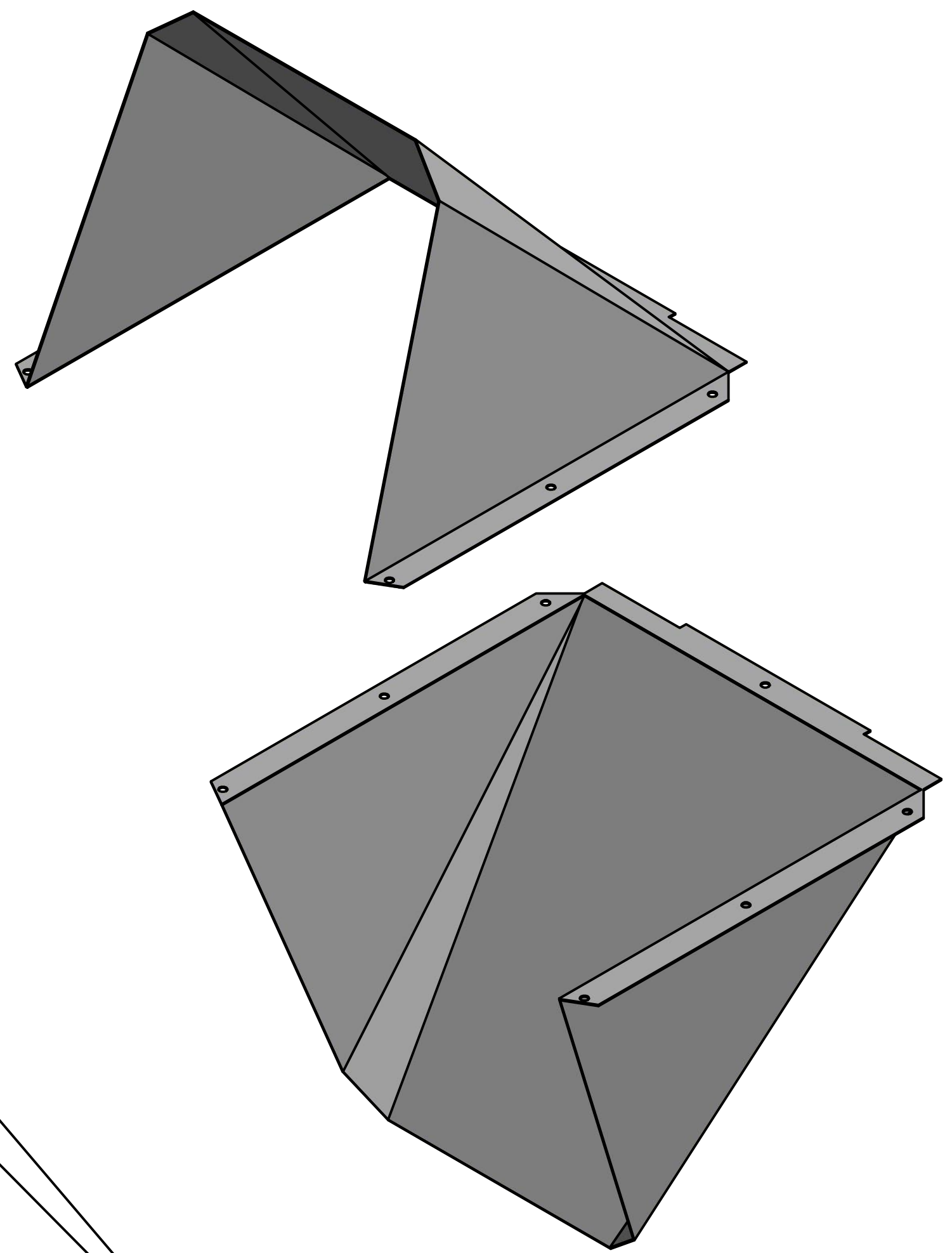
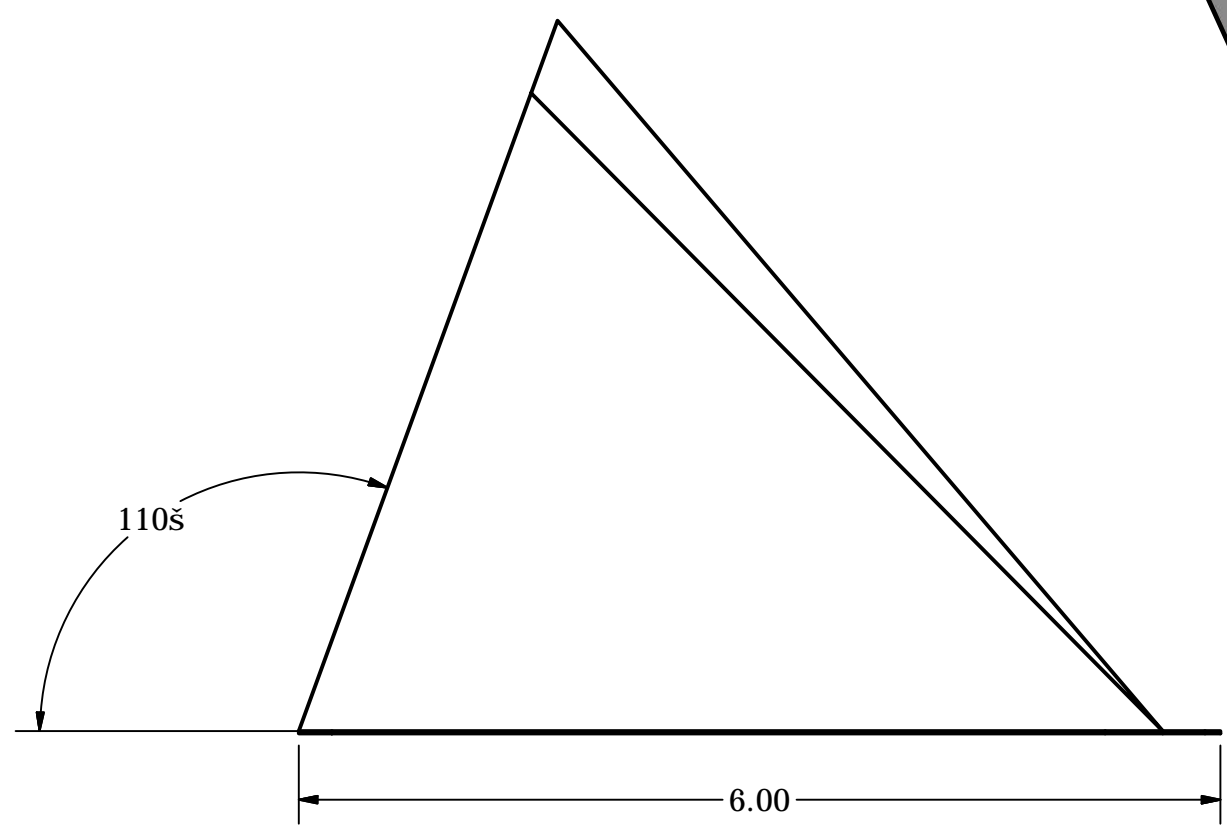
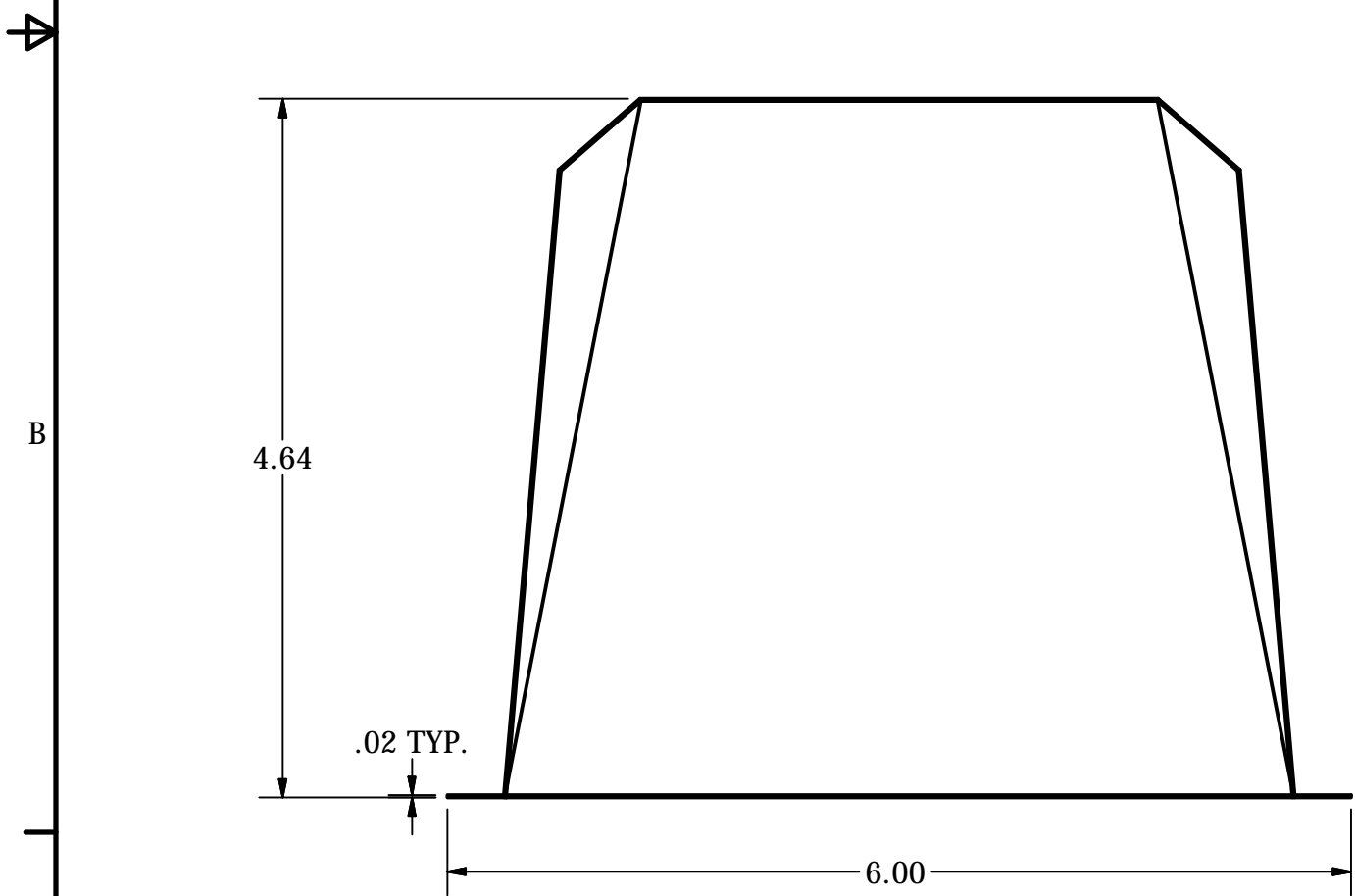
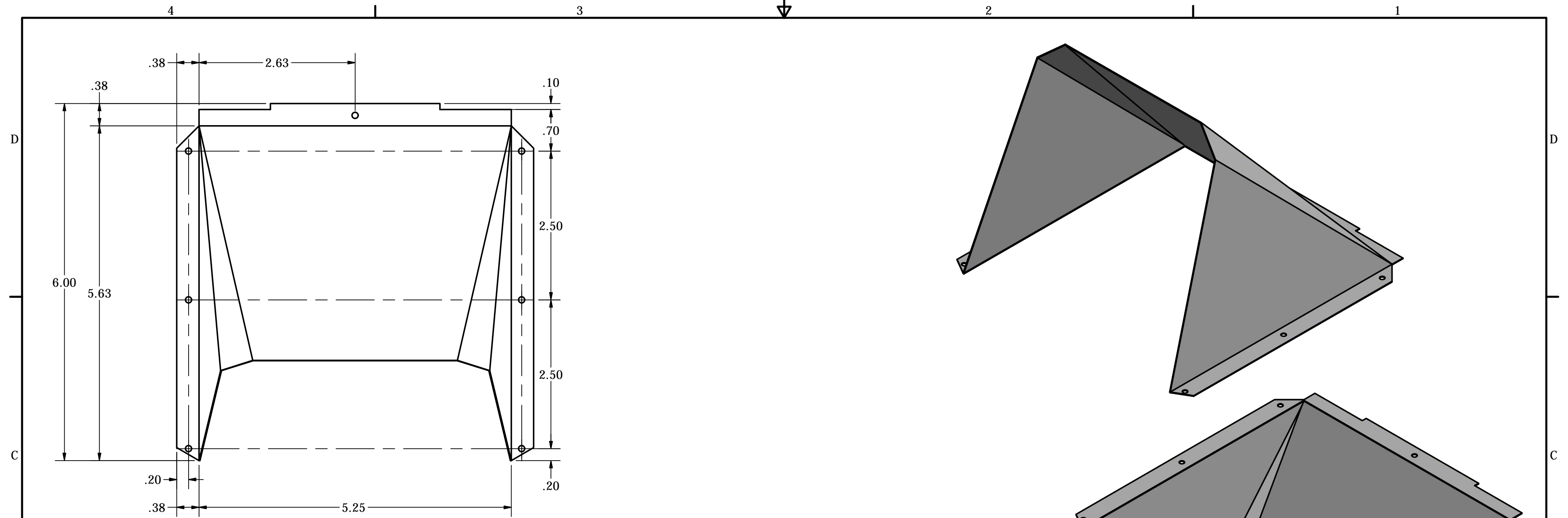
**MATERIAL: 24-GAUGE ALUMINUM**

DRAWN J. VALENTI	4/3/2015	LAMBRO INDUSTRIES, INC.		
CHECKED		TITLE		
QA		ALUMINUM WALL VENT FLAP		
MFG		SIZE	DWG NO	REV
APPROVED		C	EXHAUST FLAP	
		SCALE	SHEET 1 OF 1	



DRAWN	J.VALENTI	4/3/2015	LAMBRO INDUSTRIES, INC.		
CHECKED			TITLE		
QA			ALUMINUM WALL VENT TUBE		
MFG			SIZE	DWG NO	REV
APPROVED			D	AL. WALL VENT TUBE	
			SCALE		SHEET 1 OF 1

MATERIAL: 24-GAUGE ALUMINUM



MATERIAL: 24-GAUGE ALUMINUM

DRAWN J. VALENTI	4/3/2015	LAMBRO INDUSTRIES, INC.		
CHECKED		TITLE		
QA		ALUMINUM WALL VENT CAP		
MFG		SIZE	DWG NO	REV
APPROVED		C	VENT CAP	
		SCALE	SHEET 1 OF 1	