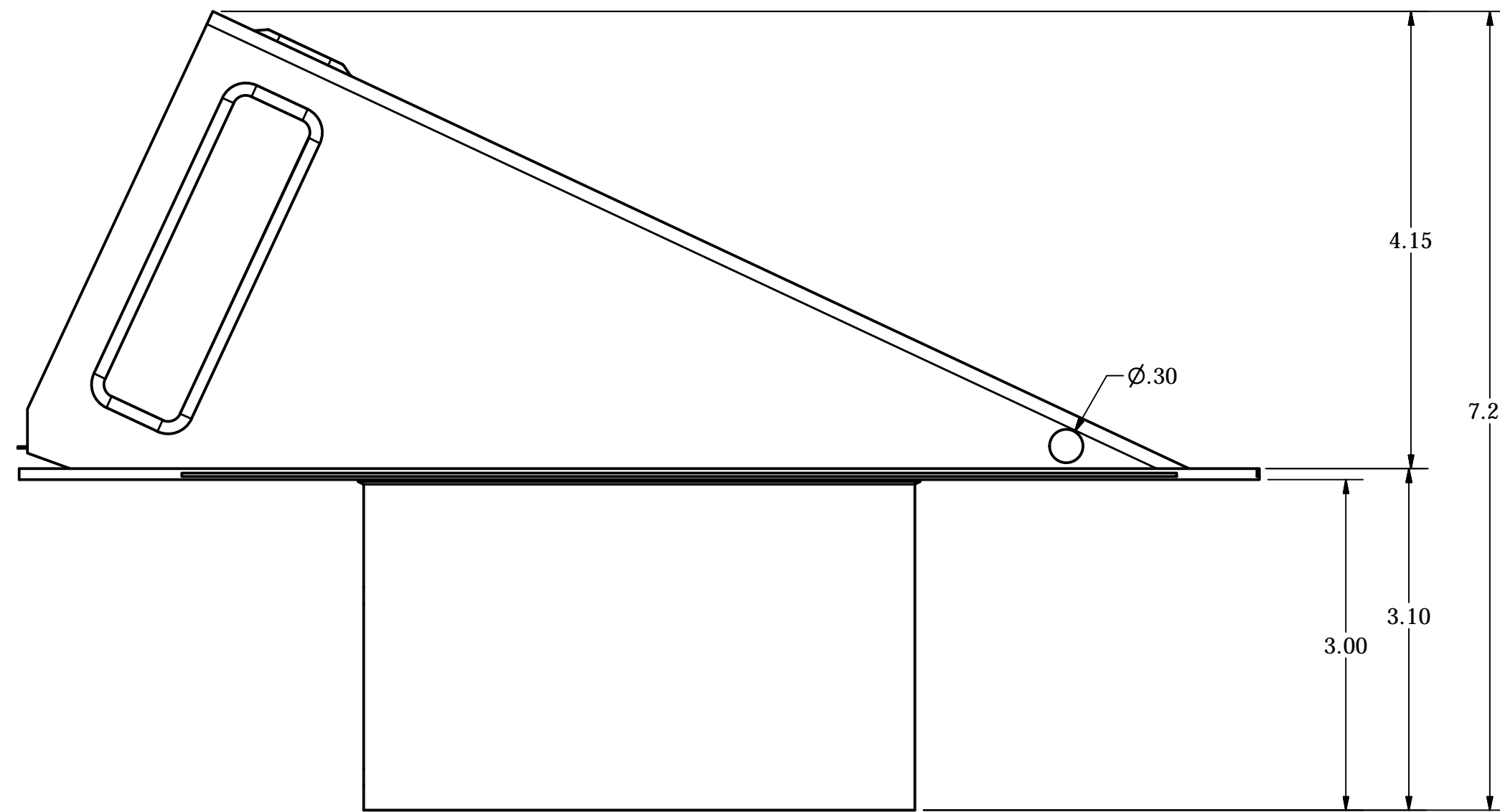
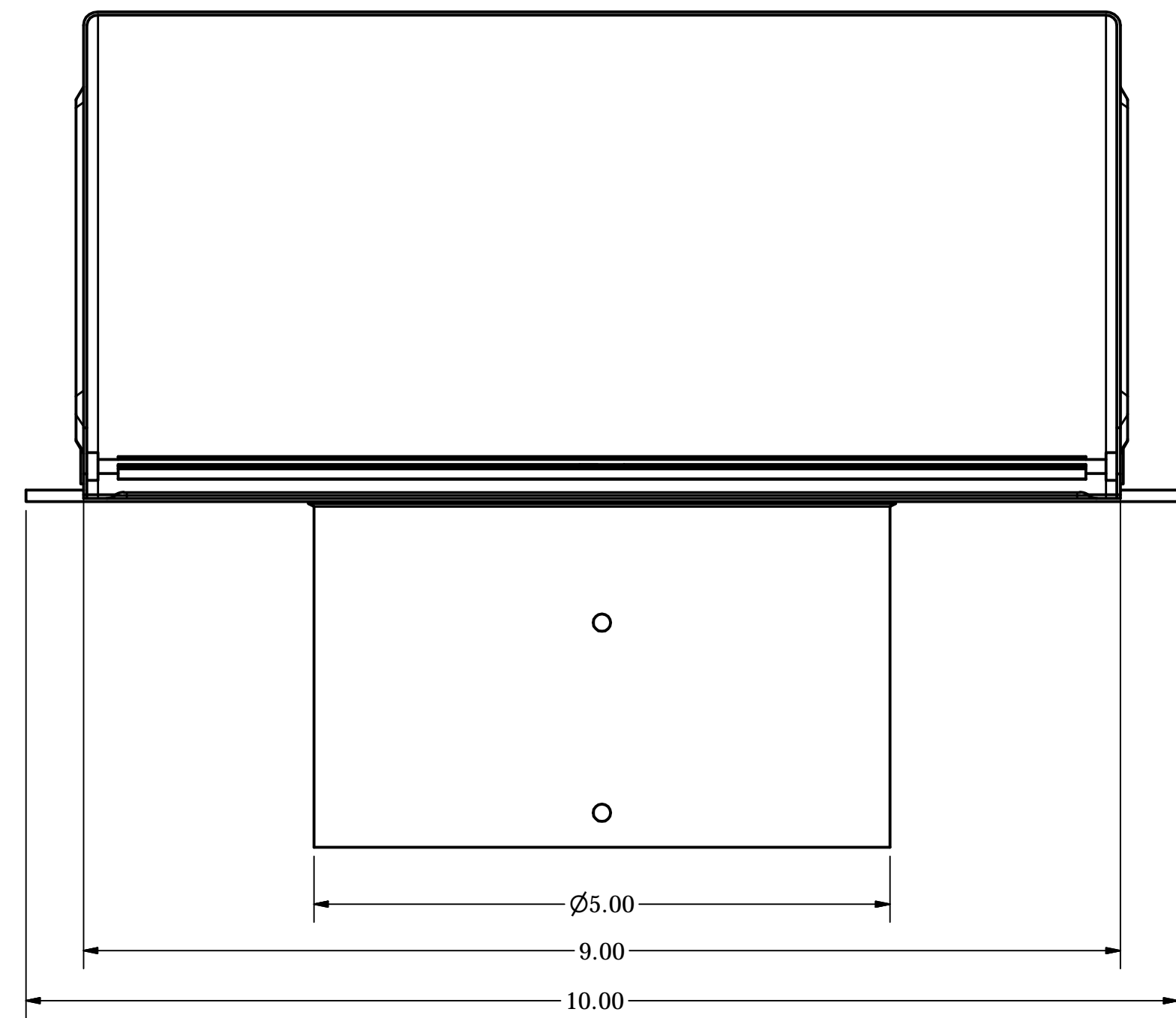
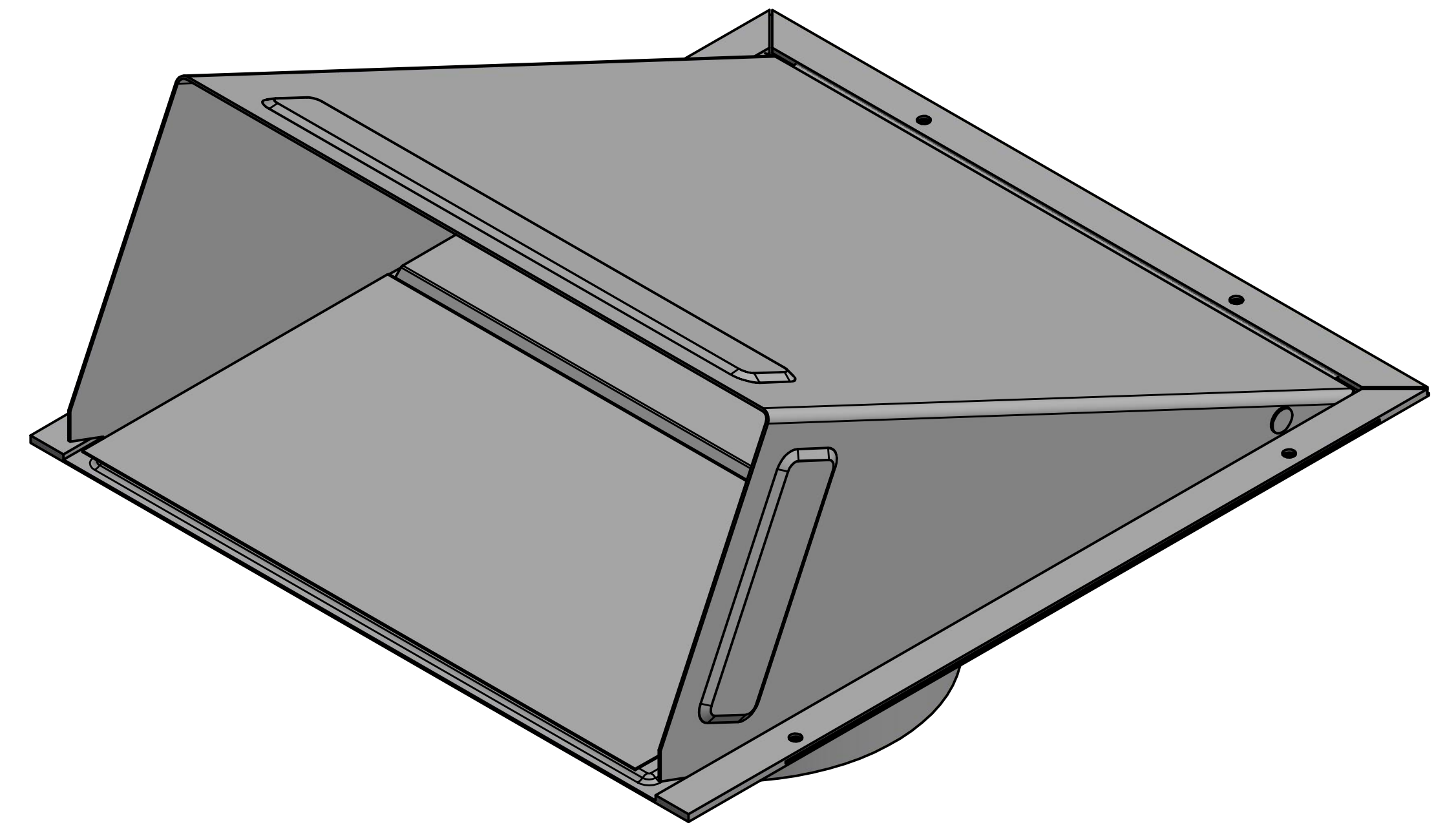
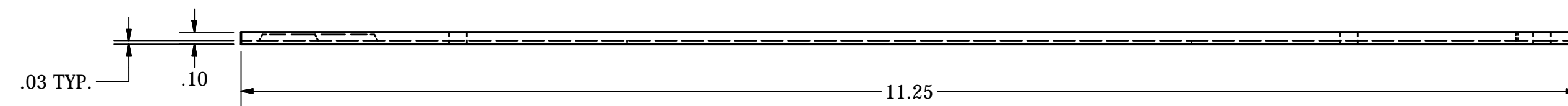
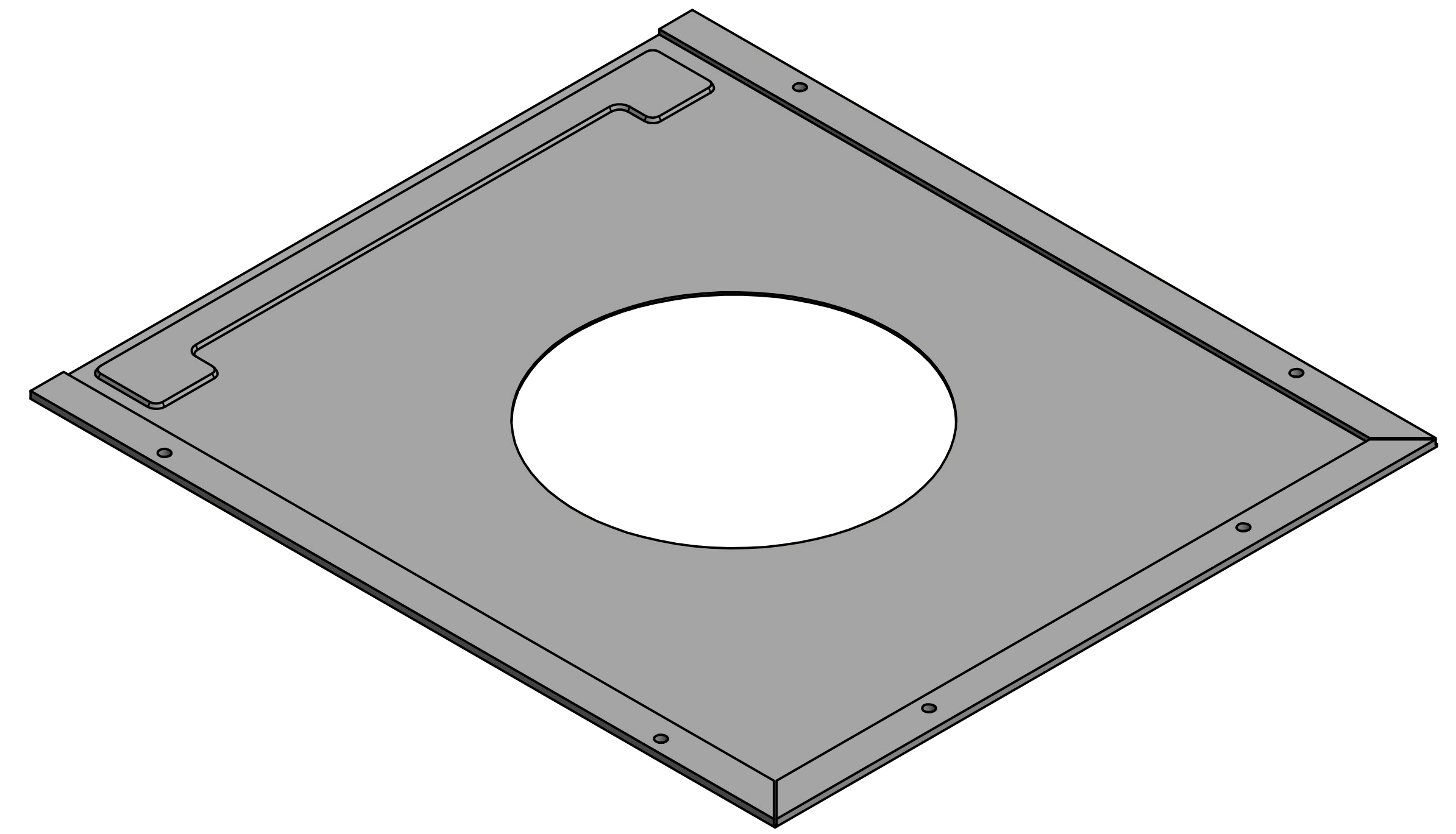
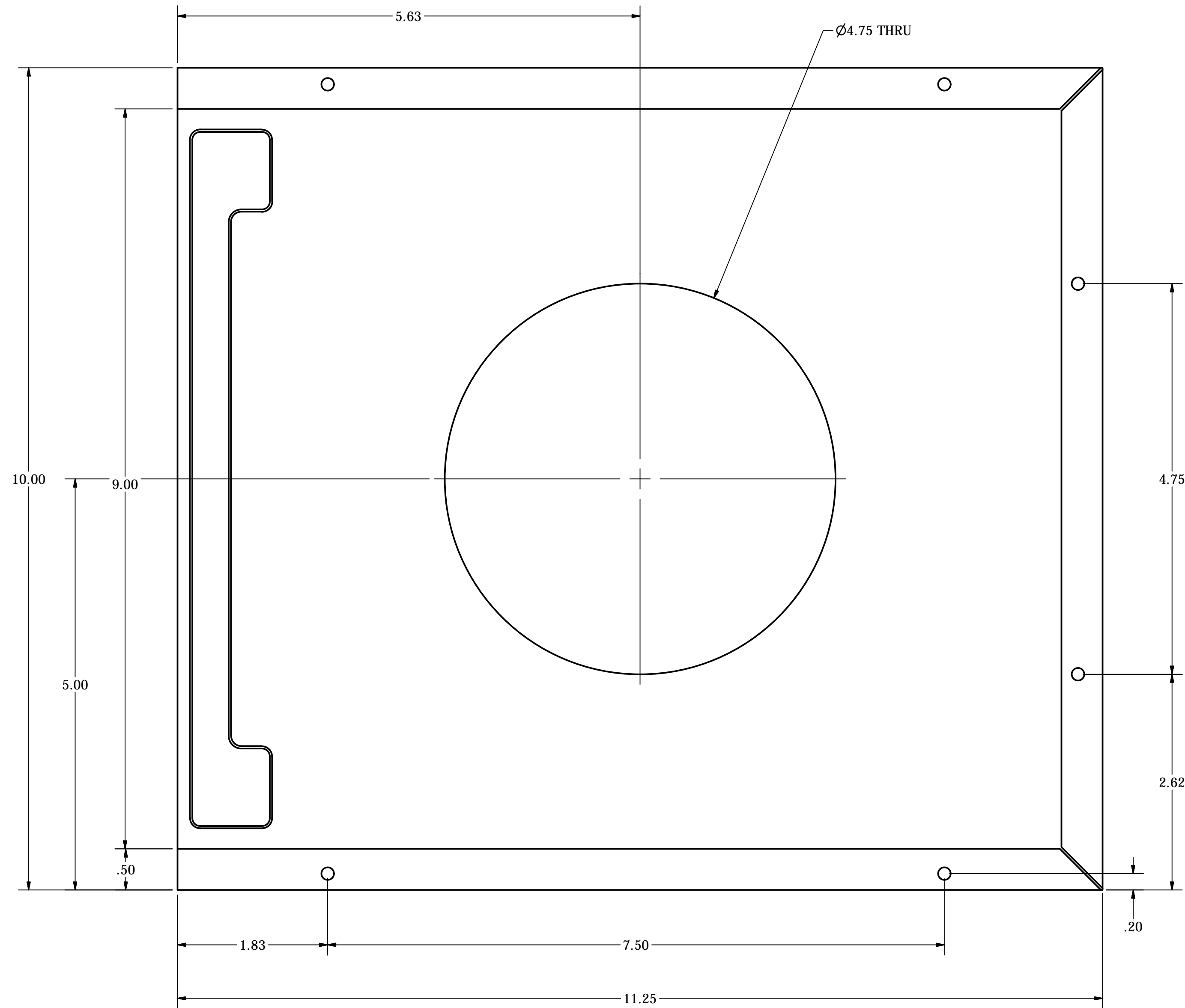



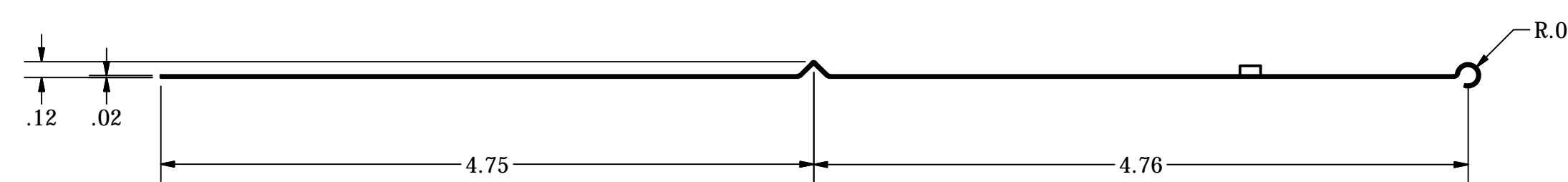
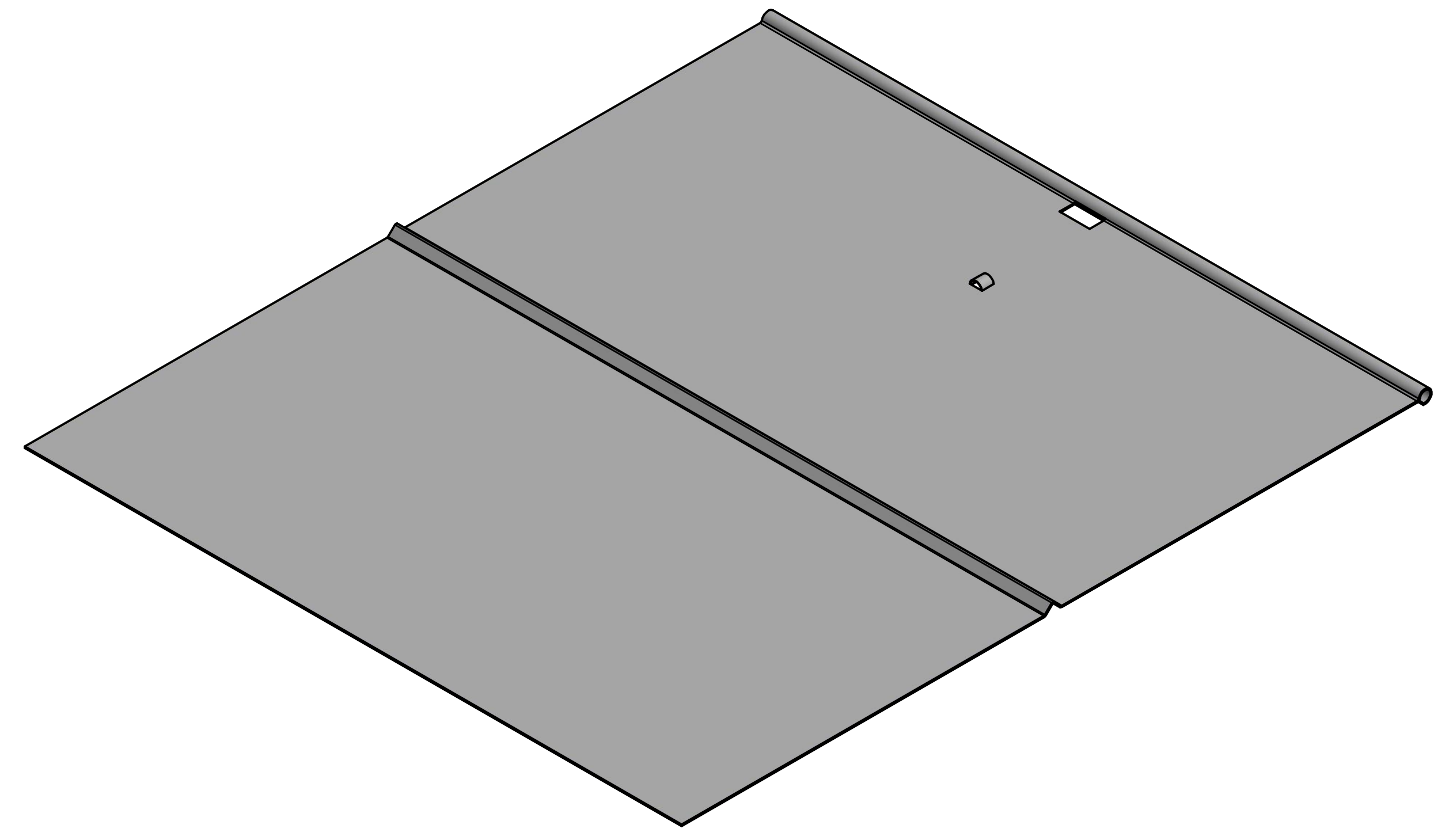
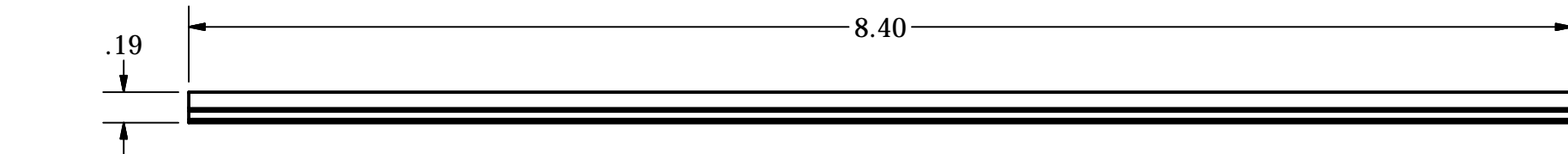
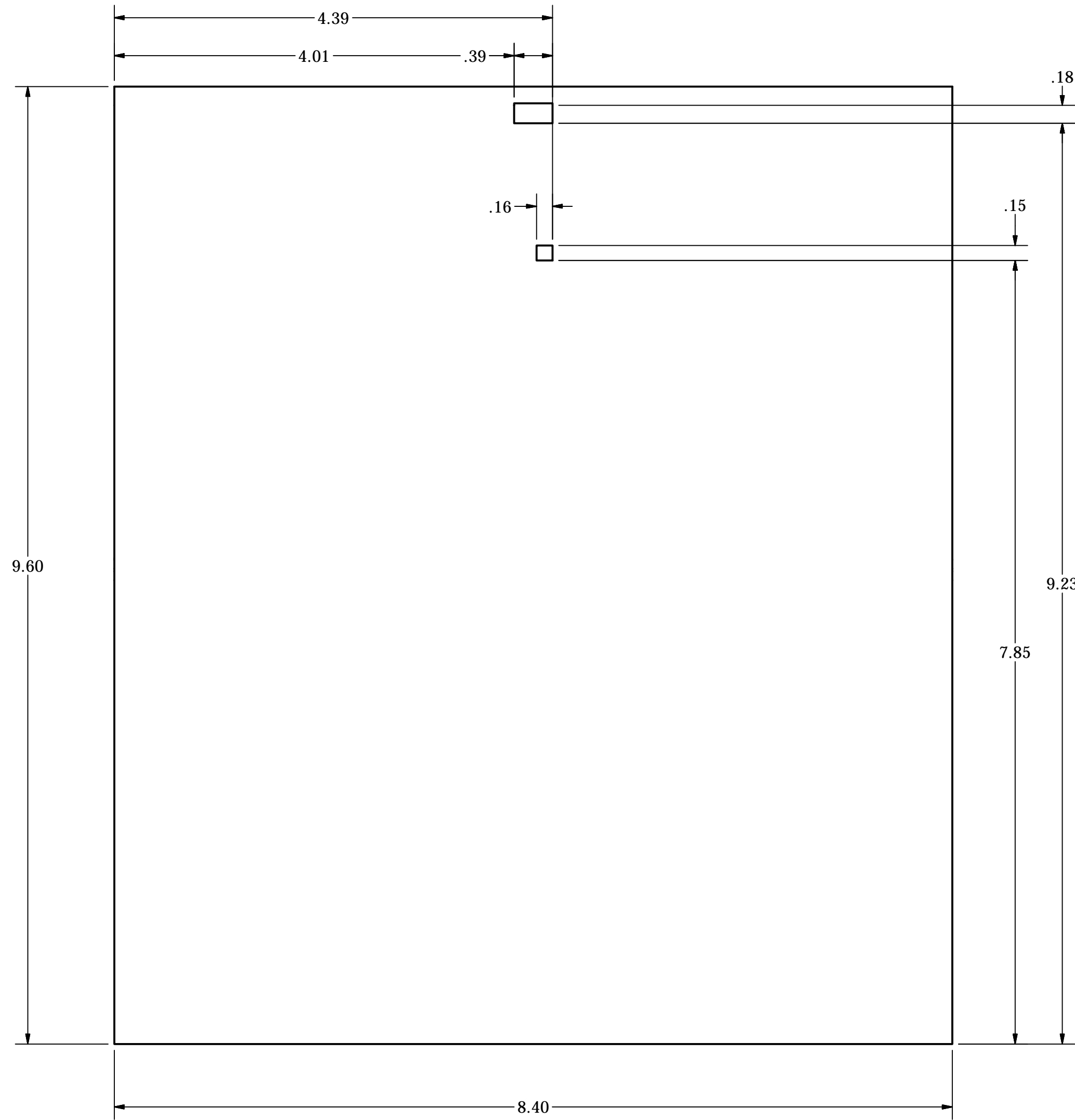
RIVITED CONNECTION (x8)




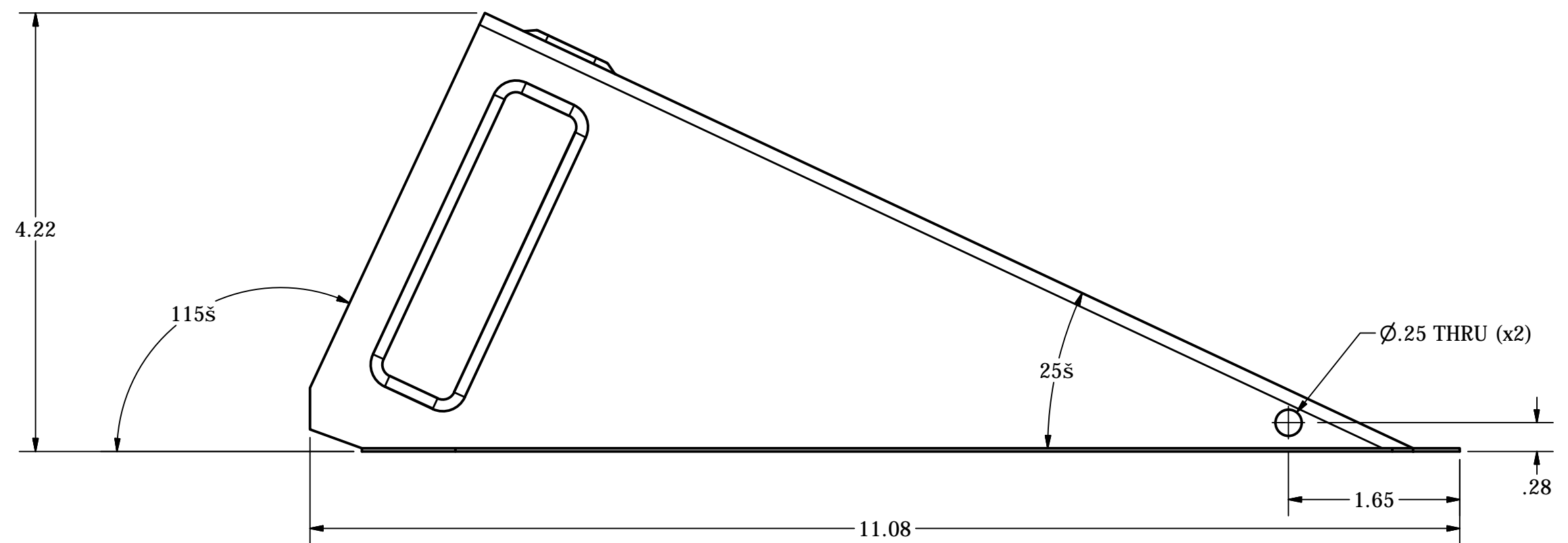
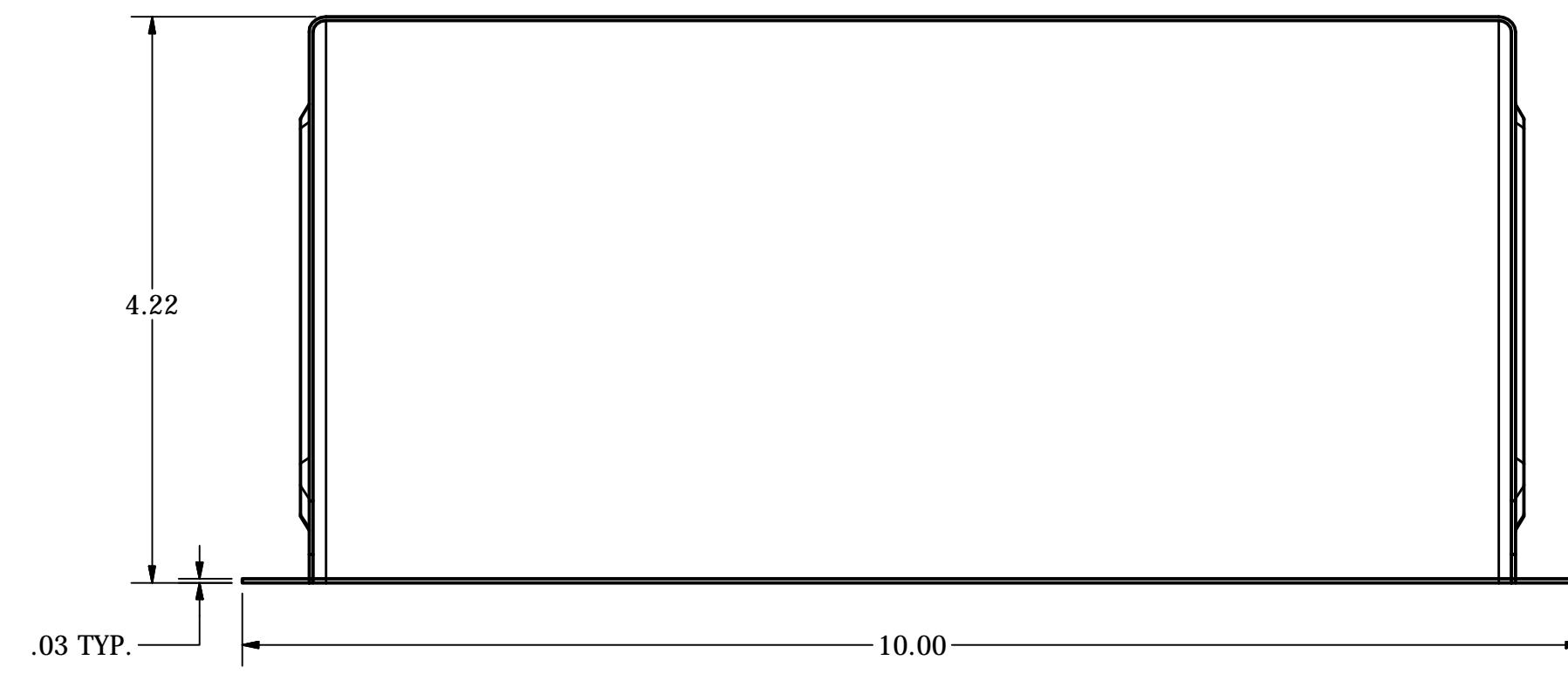
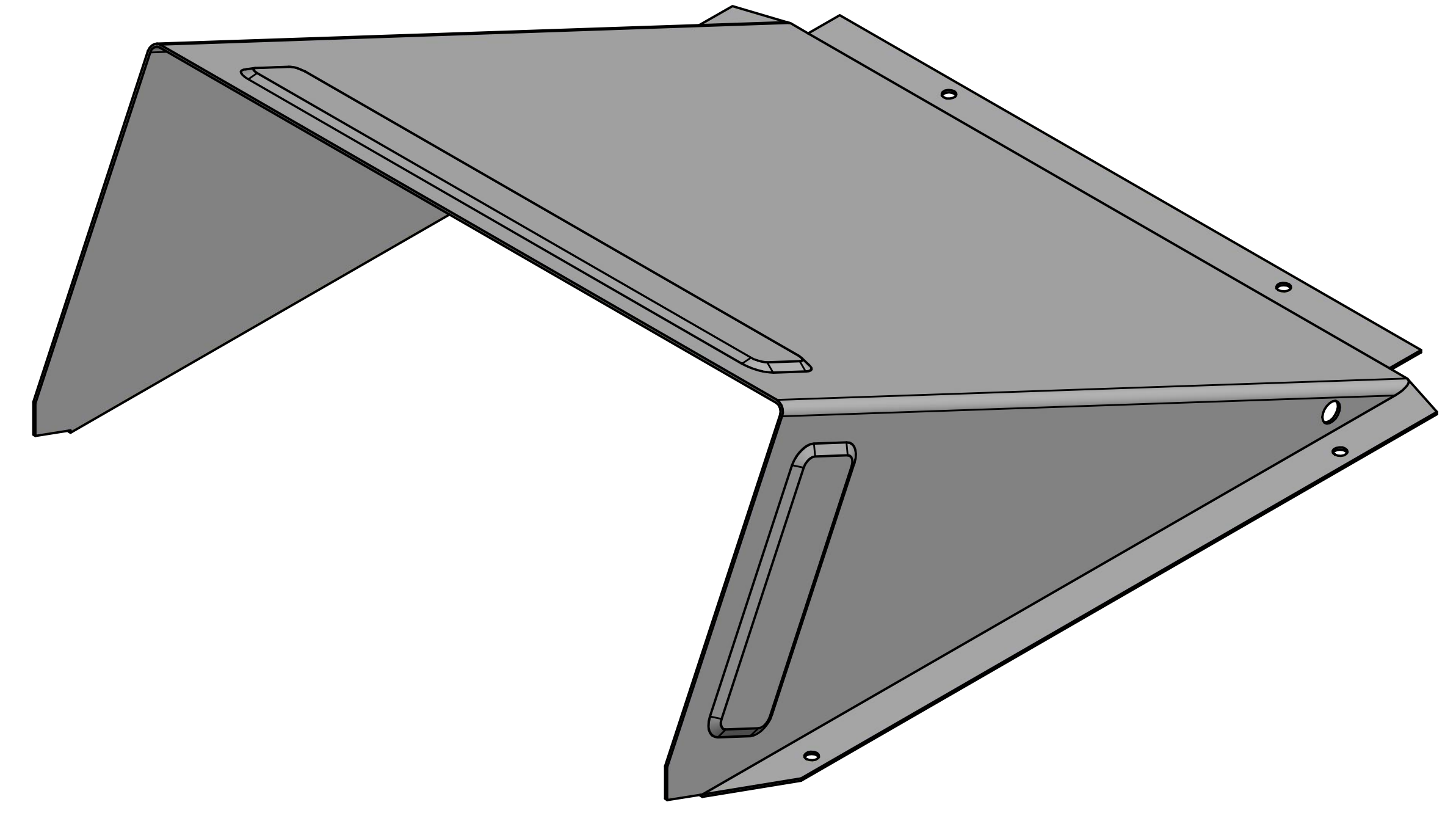
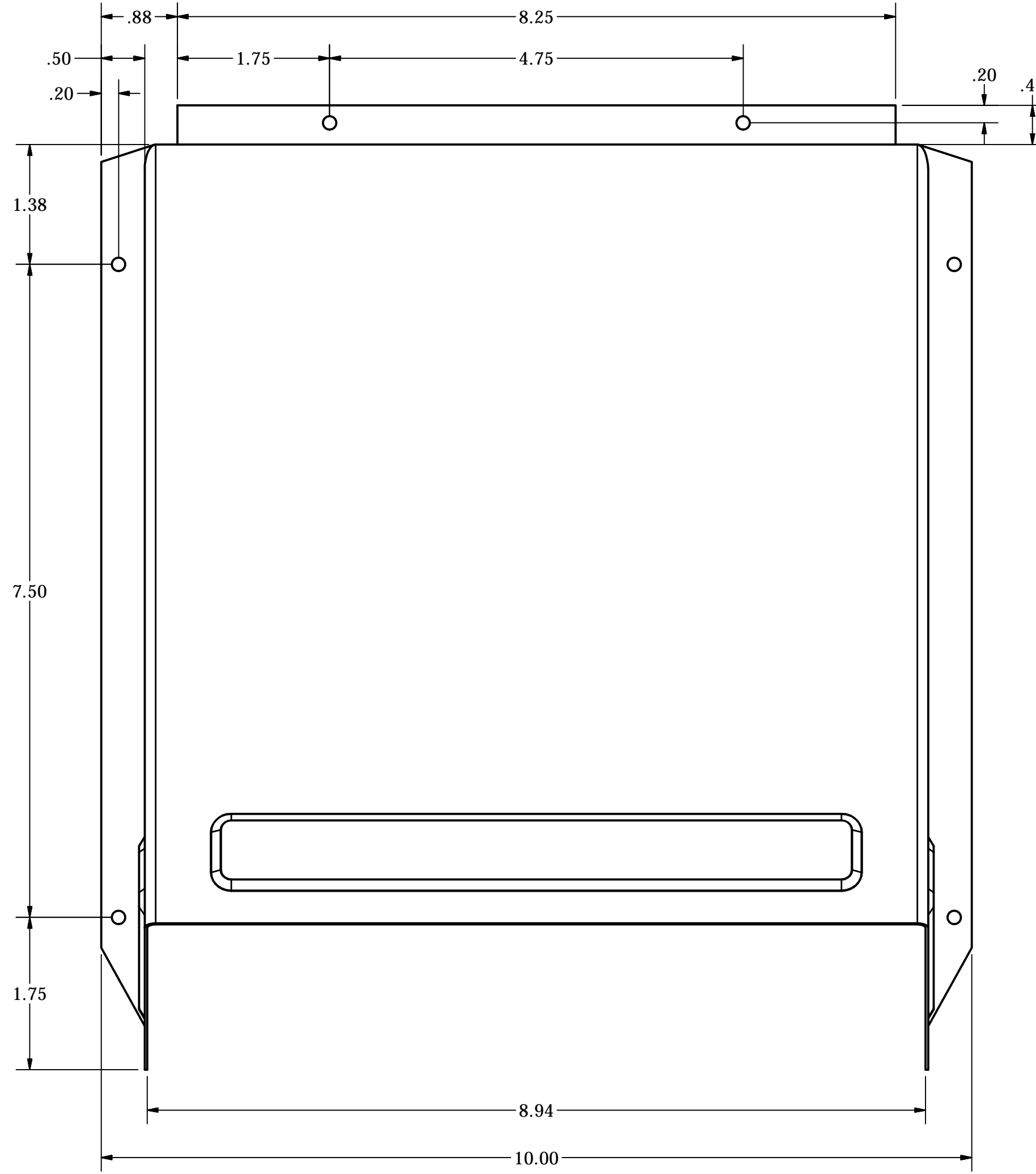
DRAWN BY J. VALENTI		3/1/2017		LAMBRO INDUSTRIES, INC.	
SIZE D	DWG NO 345 ASSEMBLY		REV		
NOT TO SCALE			SHEET 1 OF 1		




DRAWN BY J. VALENTI		3/1/2017		LAMBRO INDUSTRIES, INC.	
					
TITLE 345 - 5 ¹ / ₂ Aluminum Wall Cap - BASE					
SIZE D	DWG NO 345 BASE		REV		
NOT TO SCALE			SHEET 1 OF 1		



DRAWN BY J. VALENTI		3/1/2017		LAMBRO INDUSTRIES, INC.	
					
SIZE D	DWG NO 345 SPRING LOADED FLAP		REV		
NOT TO SCALE			SHEET 1 OF 1		



DRAWN BY J. VALENTI		3/1/2017		LAMBRO INDUSTRIES, INC.	
					
SIZE D	DWG NO 345 COVER			REV	
NOT TO SCALE			SHEET 1 OF 1		