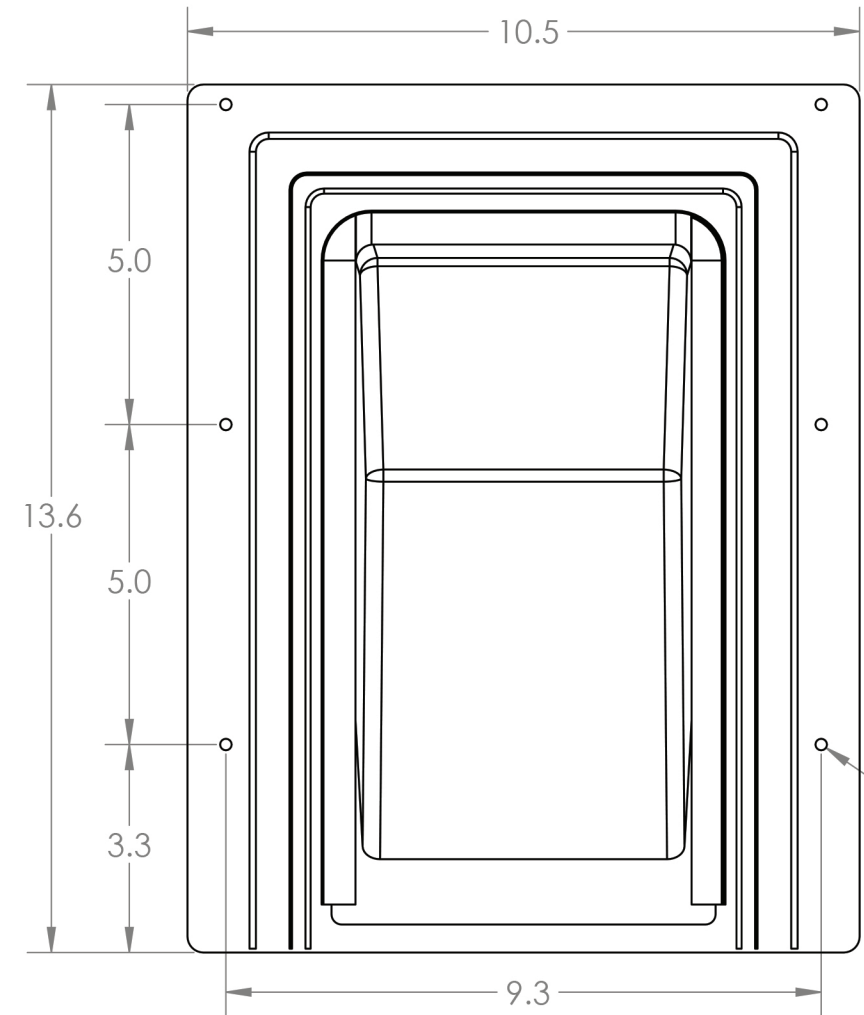


4

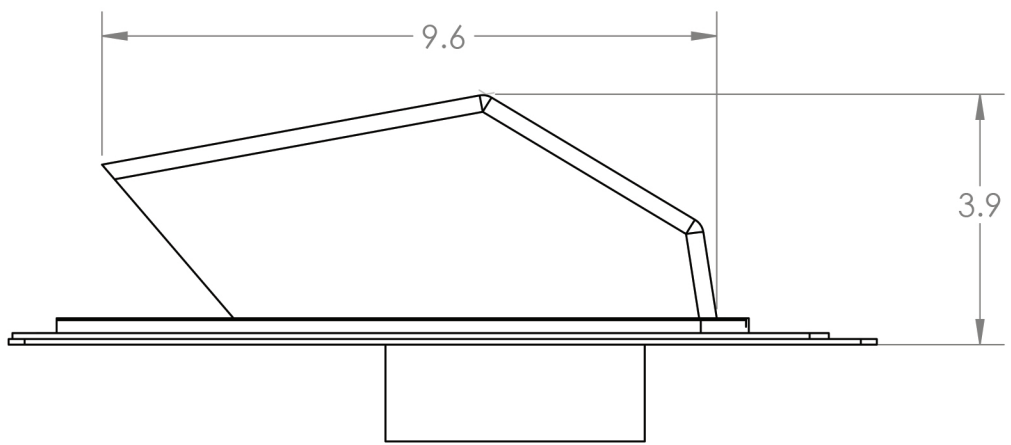
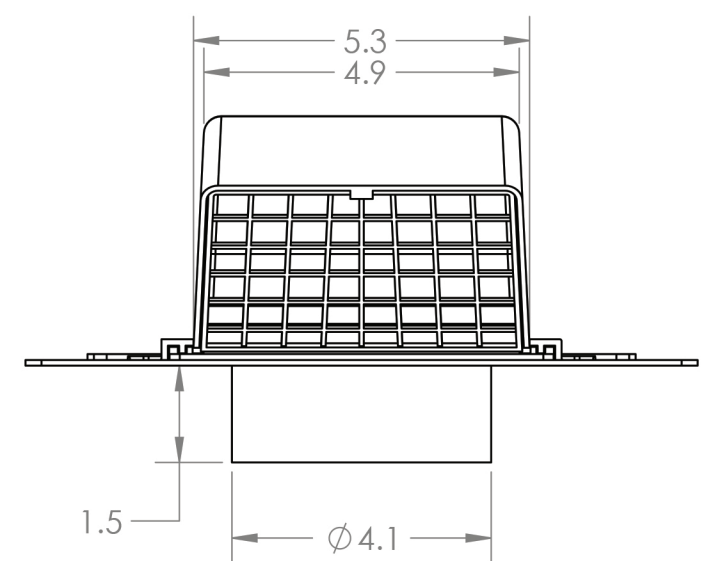
3

2

1



6x Ø .2 THRU



Lambro Industries, Inc.
 115 Albany Ave.
 Amityville, NY 11701
 (631) 842-8088
 www.lambro.net

PROPRIETARY AND CONFIDENTIAL
 THE INFORMATION CONTAINED IN THIS DRAWING IS THE SOLE PROPERTY OF LAMBRO. ANY REPRODUCTION IN PART OR AS A WHOLE WITHOUT THE WRITTEN PERMISSION OF LAMBRO IS PROHIBITED.

UNLESS OTHERWISE SPECIFIED:		NAME	DATE
DIMENSIONS ARE IN INCHES		DRAWN	
TOLERANCES:		CHECKED	
FRACTIONAL: ±1/16		ENG APPR.	
ANGULAR: MACH ±1 BEND ±.01		MFG APPR.	
TWO PLACE DECIMAL ±0.01		Q.A.	
THREE PLACE DECIMAL ±0.005		COMMENTS:	
INTERPRET GEOMETRIC TOLERANCING PER:		Net Free Area (NFA)	
MATERIAL		Without Screen: 16 sq. in.	
FINISH		With Screen: 12 sq. in.	
NEXT ASSY	USED ON	SCALE: 1:3	WEIGHT:
APPLICATION		DO NOT SCALE DRAWING	

TITLE: 4" Black ABS Plastic Roof Exhaust Vent Damper - Removable Screen

SIZE DWG. NO. REV
B 3540

SHEET 1 OF 1



4

3

2

1

B

B

A

A