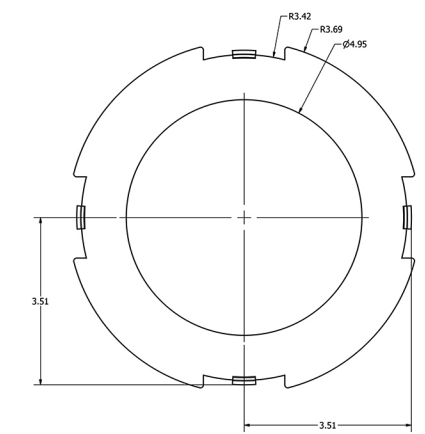
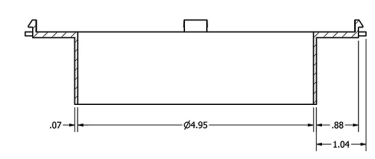
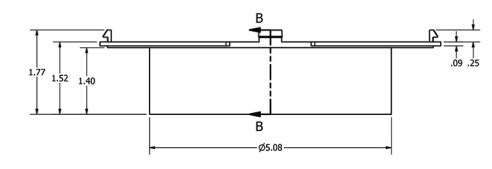
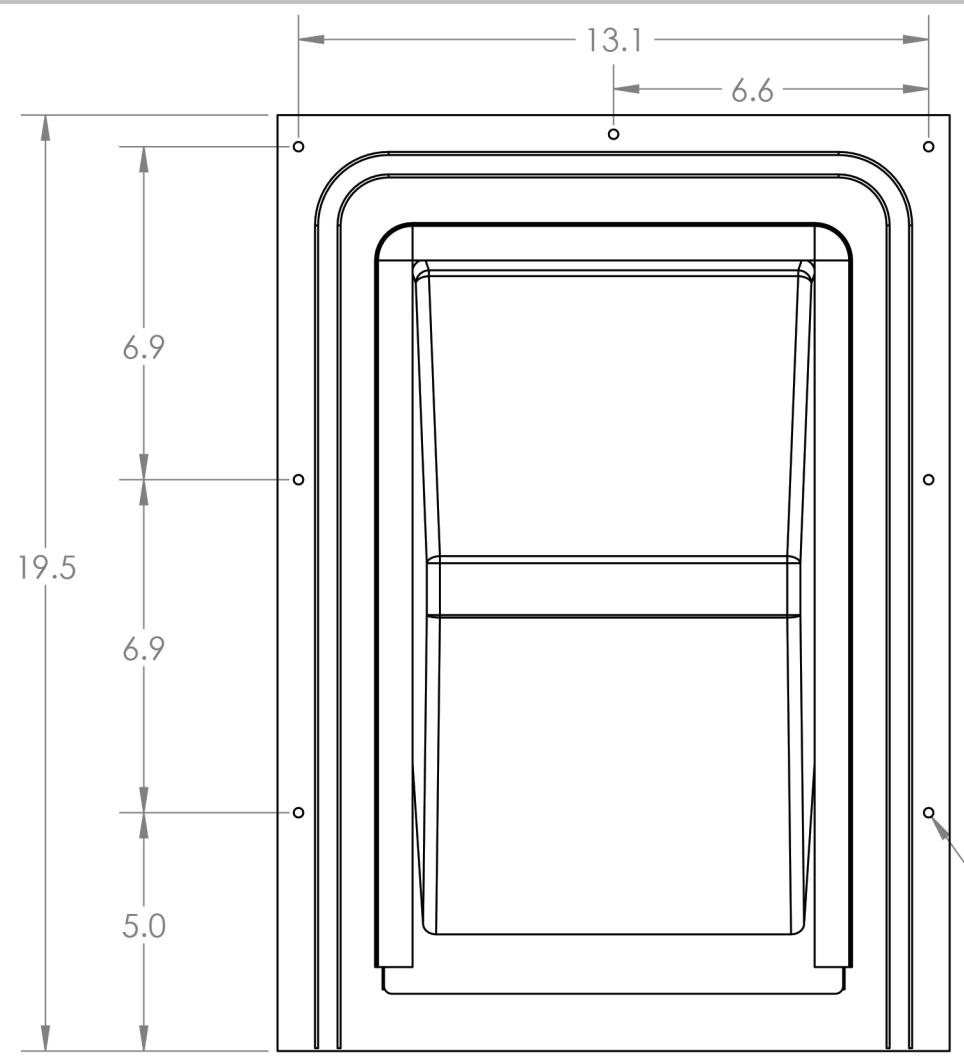


4

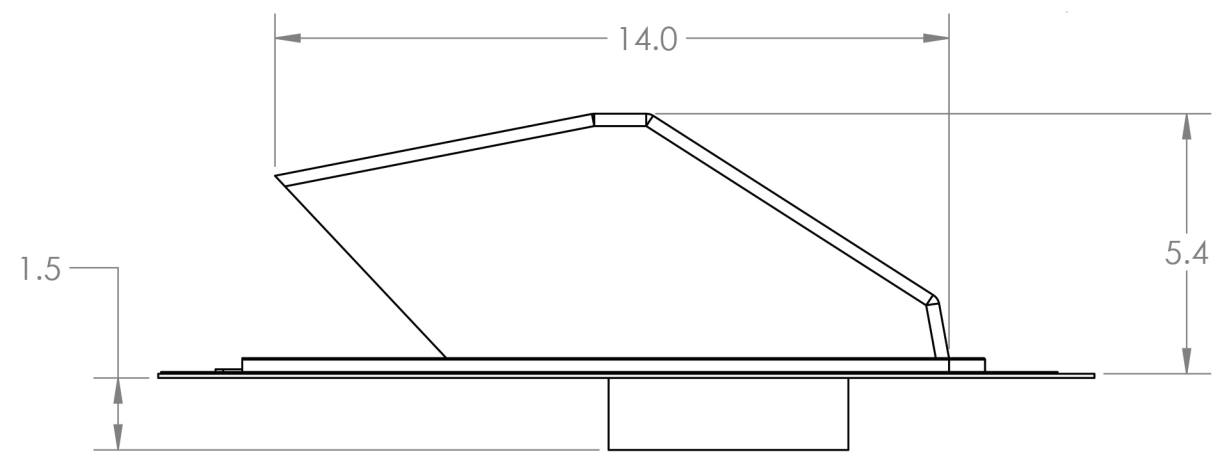
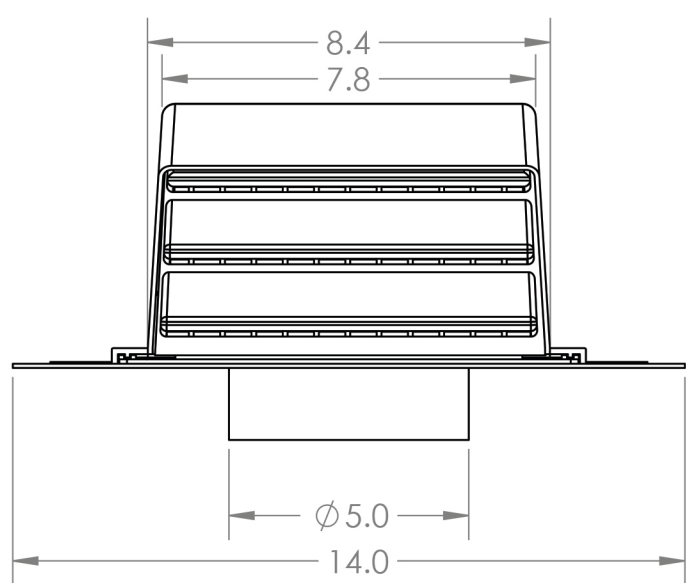
3

2

1



7x Ø .2 THRU



Lambro Industries, Inc.
 115 Albany Ave.
 Amityville, NY 11701
 (631) 842-8088
 www.lambro.net

TITLE: Black ABS Plastic Roof Exhaust Vent
 Damper - Screen
 5" Snap-on Collar - 1.5" Length
 Made of ABS (Acrylonitrile Butadiene Styrene) material
 with UV inhibitor used to help prevent the premature fading of vent

SIZE DWG. NO. REV
B 355
 SCALE: 1:4 WEIGHT: SHEET 1 OF 1

PROPRIETARY AND CONFIDENTIAL
 THE INFORMATION CONTAINED IN THIS
 DRAWING IS THE SOLE PROPERTY OF
 LAMBRO. ANY REPRODUCTION IN PART
 OR AS A WHOLE WITHOUT THE WRITTEN
 PERMISSION OF LAMBRO IS PROHIBITED.

UNLESS OTHERWISE SPECIFIED:		NAME	DATE
DIMENSIONS ARE IN INCHES		DRAWN	
TOLERANCES:		CHECKED	
FRACTIONAL ± 1/16		ENG APPR.	
ANGULAR: MACH ± 1 BEND ± 0.1		MFG APPR.	
TWO PLACE DECIMAL ± 0.01		Q.A.	
THREE PLACE DECIMAL ± 0.005		COMMENTS:	
INTERPRET GEOMETRIC TOLERANCING PER:		Net Free Area (NFA)	
MATERIAL		25 sq. in.	
FINISH			
NEXT ASSY	USED ON		
APPLICATION		DO NOT SCALE DRAWING	



4

3

2

1

B

B

A

A