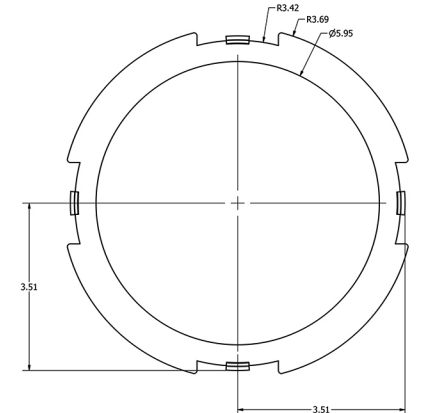
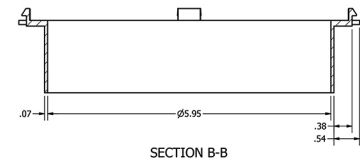
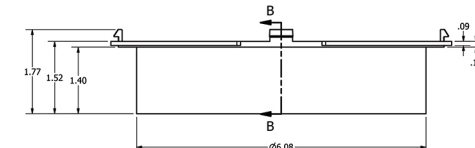
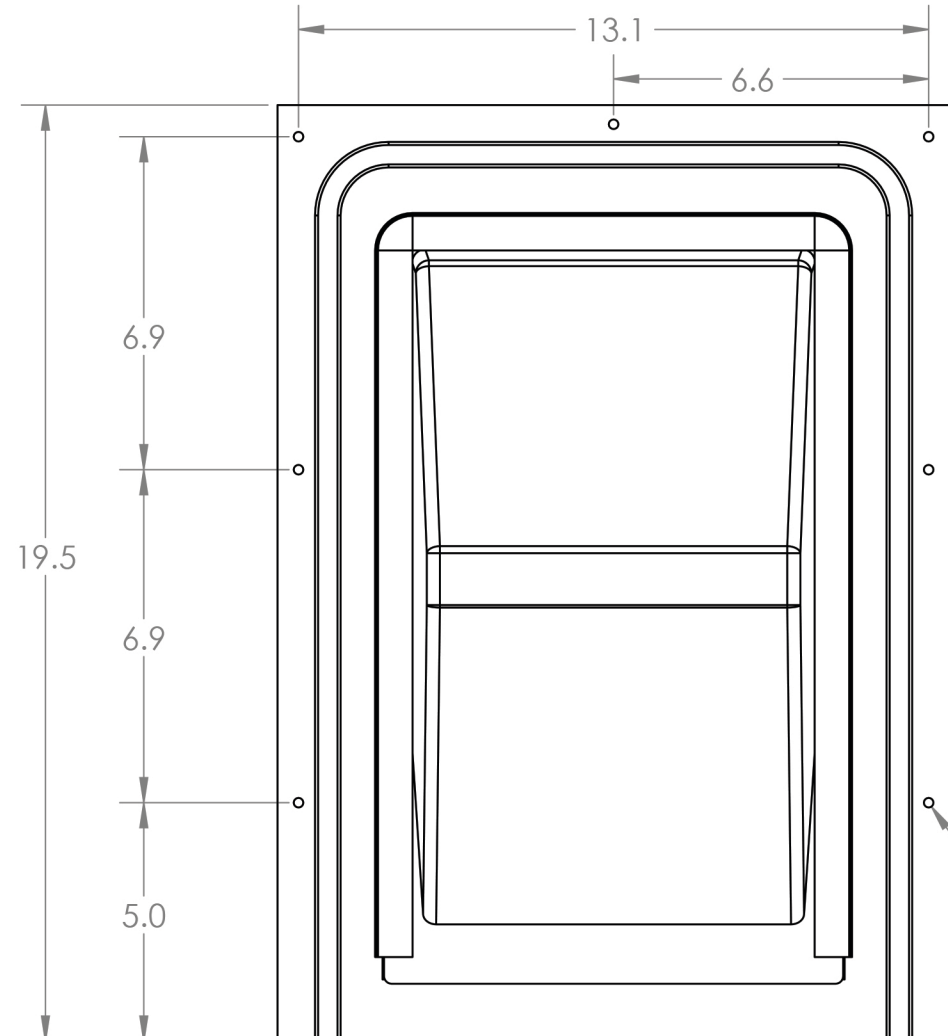


4

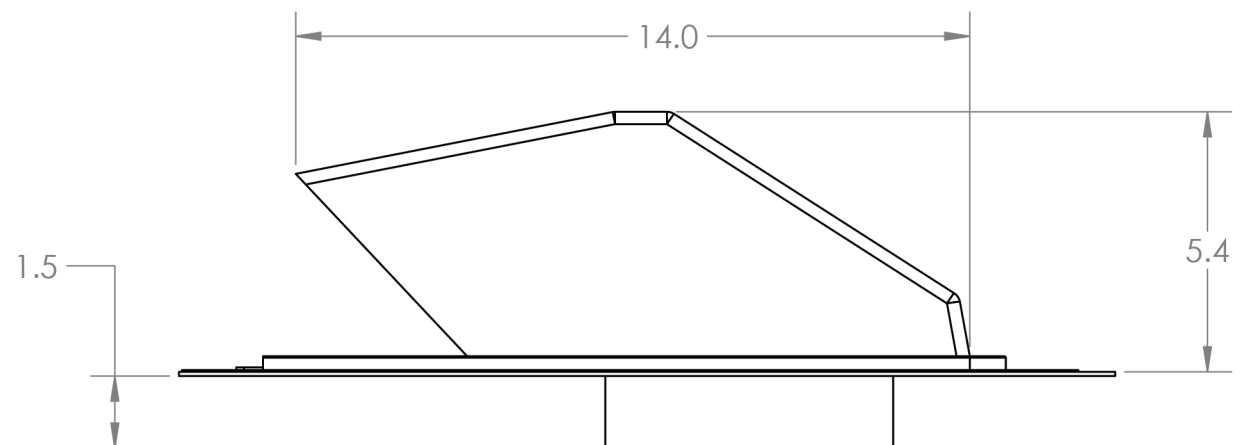
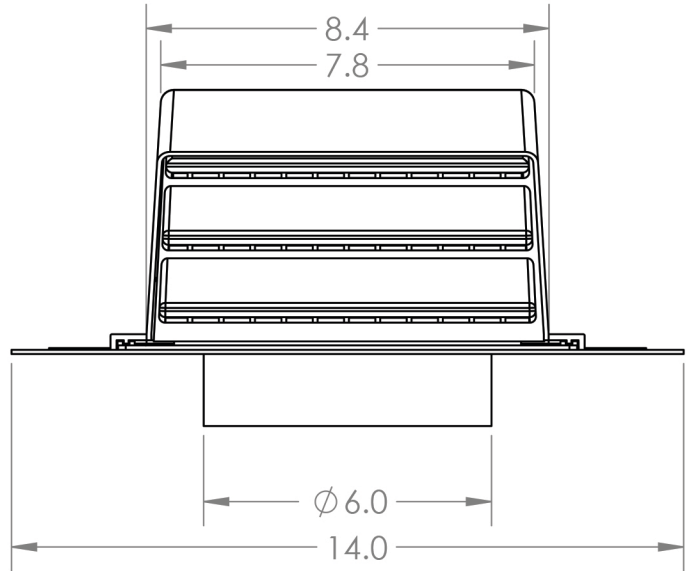
3

2

1



7x $\phi .2$ THRU



Lambro Industries, Inc.
 115 Albany Ave.
 Amityville, NY 11701
 (631) 842-8088
 www.lambro.net

TITLE: Black ABS Plastic Roof Exhaust Vent
 Damper - Screen
 6" Snap-on Collar - 1.5" Length
 Made of ABS (Acrylonitrile Butadiene Styrene) material
 with UV inhibitor used to help prevent the premature fading of vent

SIZE	DWG. NO.	REV
B	356-6	
SCALE: 1:4	WEIGHT:	SHEET 1 OF 1

PROPRIETARY AND CONFIDENTIAL
 THE INFORMATION CONTAINED IN THIS DRAWING IS THE SOLE PROPERTY OF LAMBRO. ANY REPRODUCTION IN PART OR AS A WHOLE WITHOUT THE WRITTEN PERMISSION OF LAMBRO IS PROHIBITED.

UNLESS OTHERWISE SPECIFIED:		NAME	DATE
DIMENSIONS ARE IN INCHES		DRAWN	
TOLERANCES:		CHECKED	
FRACTIONAL $\pm 1/16$		ENG APPR.	
ANGULAR: MACH ± 1 BEND ± 0.01		MFG APPR.	
TWO PLACE DECIMAL ± 0.01		Q.A.	
THREE PLACE DECIMAL ± 0.005		COMMENTS:	
INTERPRET GEOMETRIC TOLERANCING PER:		Net Free Area (NFA)	
MATERIAL		25 sq. in.	
FINISH			
NEXT ASSY	USED ON		
APPLICATION			
DO NOT SCALE DRAWING			



4

3

2

1

B

A