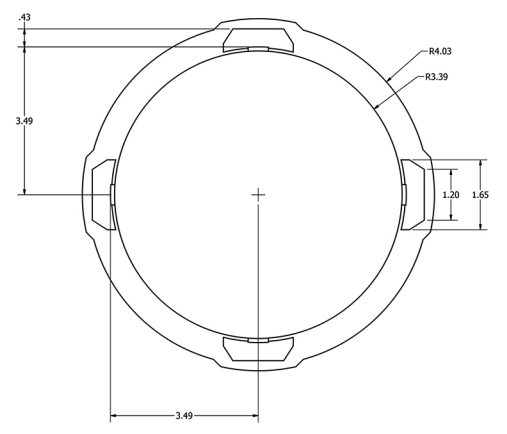
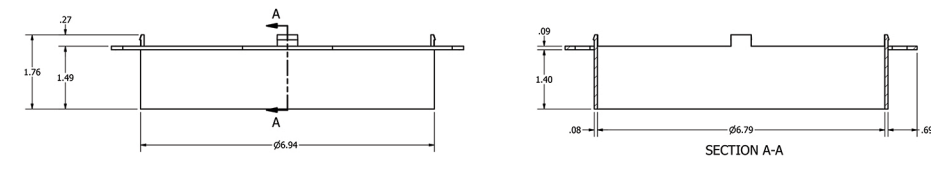
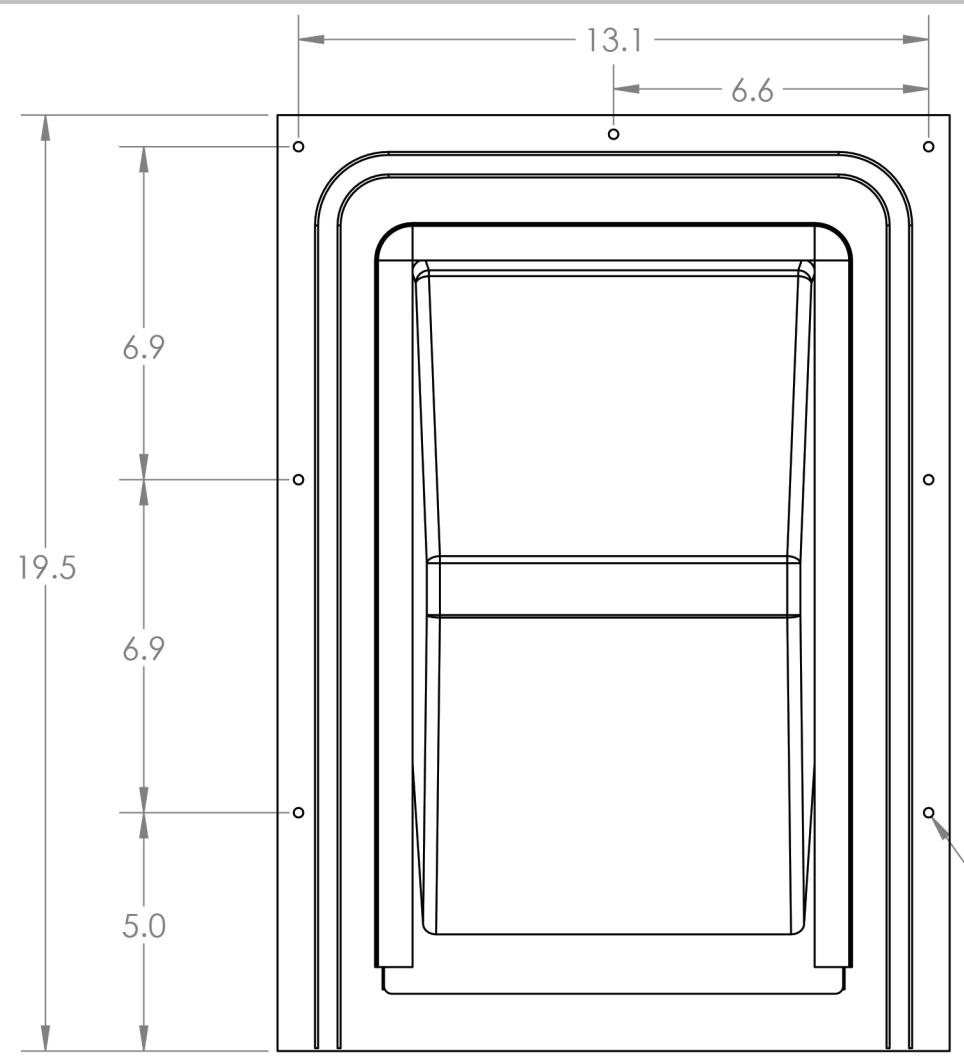


4

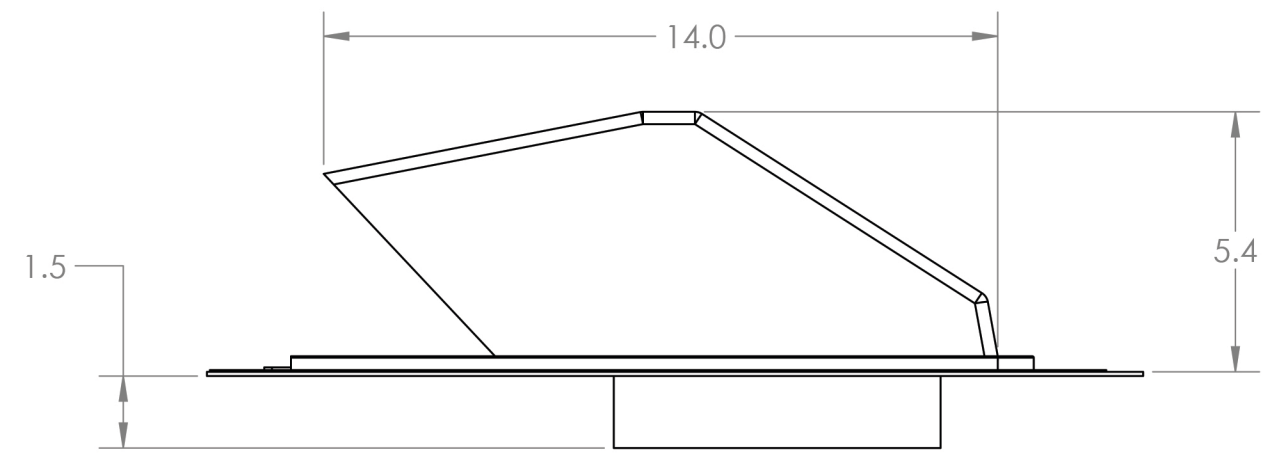
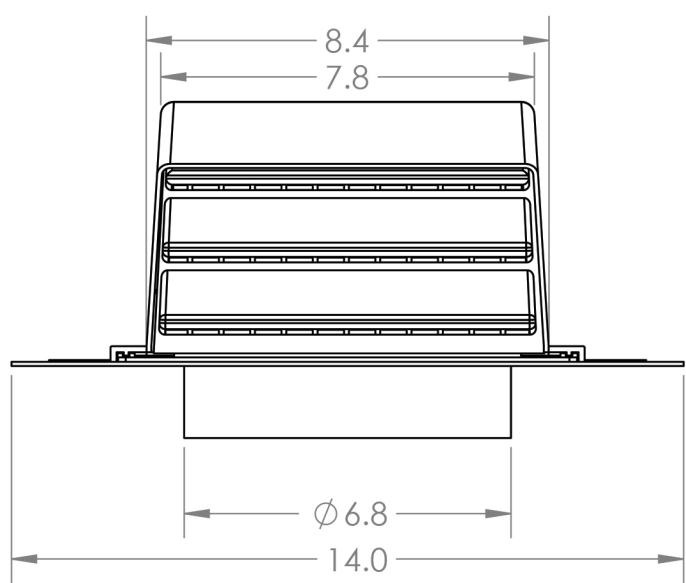
3

2

1



7x  $\phi$ .2 THRU



Lambro Industries, Inc.  
115 Albany Ave.  
Amityville, NY 11701  
(631) 842-8088  
www.lambro.net

TITLE: Black ABS Plastic Roof Exhaust Vent  
Damper - Screen  
7" Snap-on Collar - 1.5" Length  
Made of ABS (Acrylonitrile Butadiene Styrene) material  
with UV inhibitor used to help prevent the premature fading of vent

|            |            |              |
|------------|------------|--------------|
| SIZE       | DWG. NO.   | REV          |
| <b>B</b>   | <b>357</b> |              |
| SCALE: 1:4 | WEIGHT:    | SHEET 1 OF 1 |

**PROPRIETARY AND CONFIDENTIAL**  
THE INFORMATION CONTAINED IN THIS DRAWING IS THE SOLE PROPERTY OF LAMBRO. ANY REPRODUCTION IN PART OR AS A WHOLE WITHOUT THE WRITTEN PERMISSION OF LAMBRO IS PROHIBITED.

| UNLESS OTHERWISE SPECIFIED:          |         | NAME                 | DATE |
|--------------------------------------|---------|----------------------|------|
| DIMENSIONS ARE IN INCHES             |         | DRAWN                |      |
| TOLERANCES:                          |         | CHECKED              |      |
| FRACTIONAL $\pm$ 1/16                |         | ENG APPR.            |      |
| ANGULAR: MACH $\pm$ 1 BEND $\pm$ .01 |         | MFG APPR.            |      |
| TWO PLACE DECIMAL $\pm$ 0.01         |         | Q.A.                 |      |
| THREE PLACE DECIMAL $\pm$ 0.005      |         | COMMENTS:            |      |
| INTERPRET GEOMETRIC TOLERANCING PER: |         | Net Free Area (NFA)  |      |
| MATERIAL                             |         | 25 sq. in.           |      |
| FINISH                               |         |                      |      |
| NEXT ASSY                            | USED ON |                      |      |
| APPLICATION                          |         | DO NOT SCALE DRAWING |      |



4

3

2

1

B

A