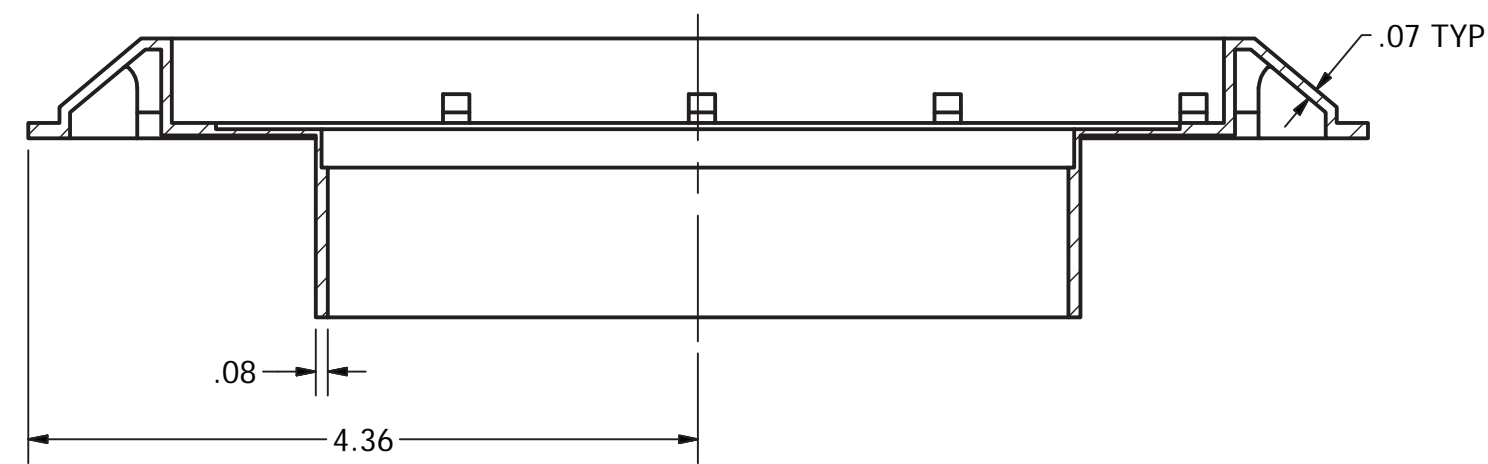
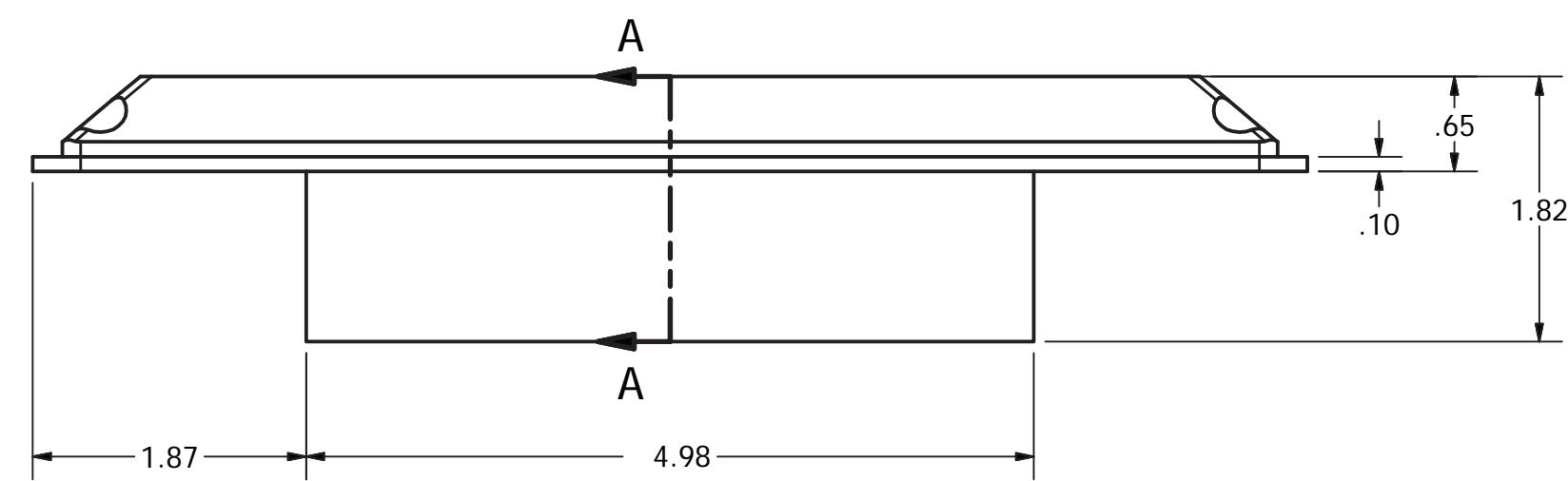
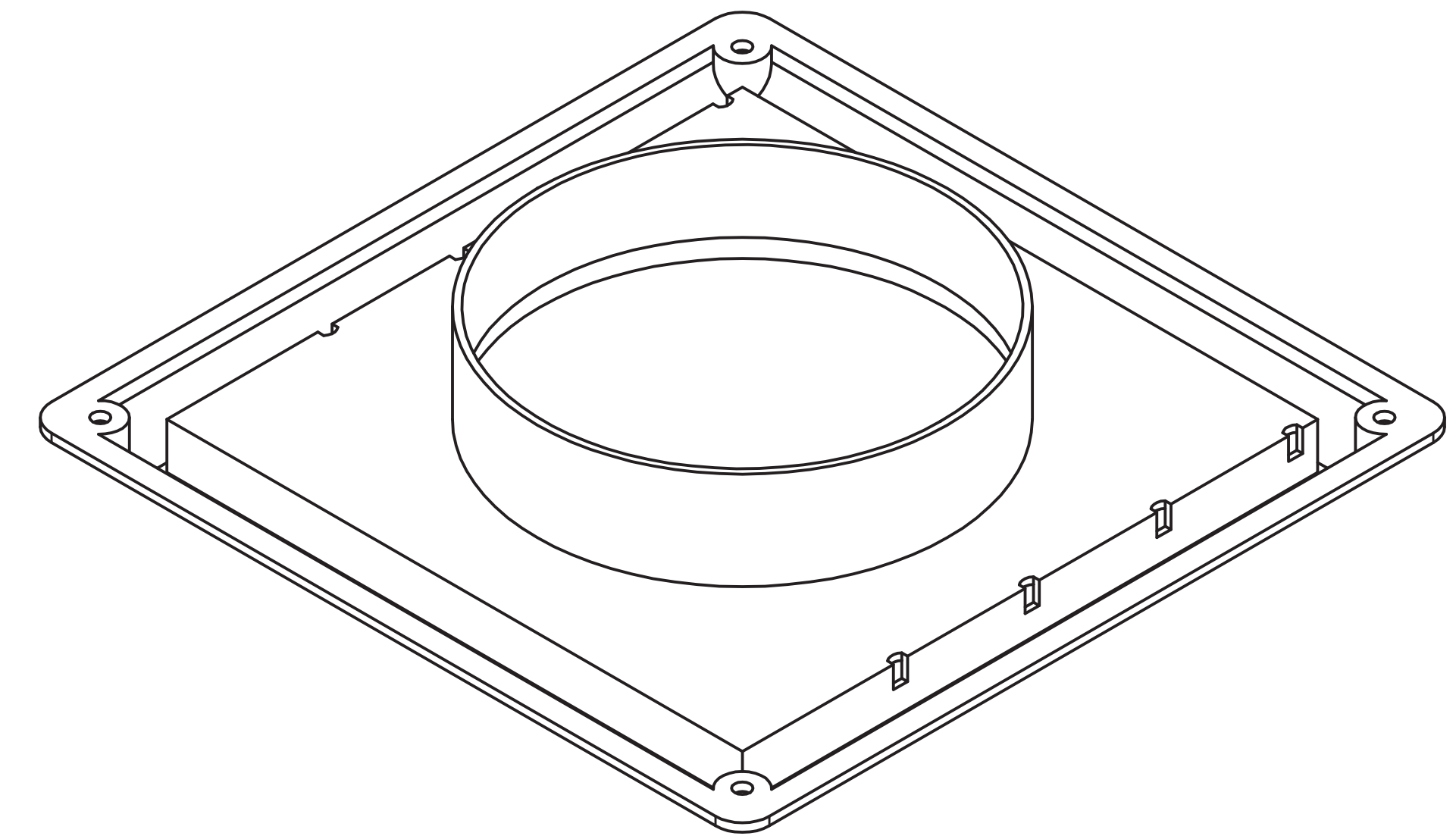
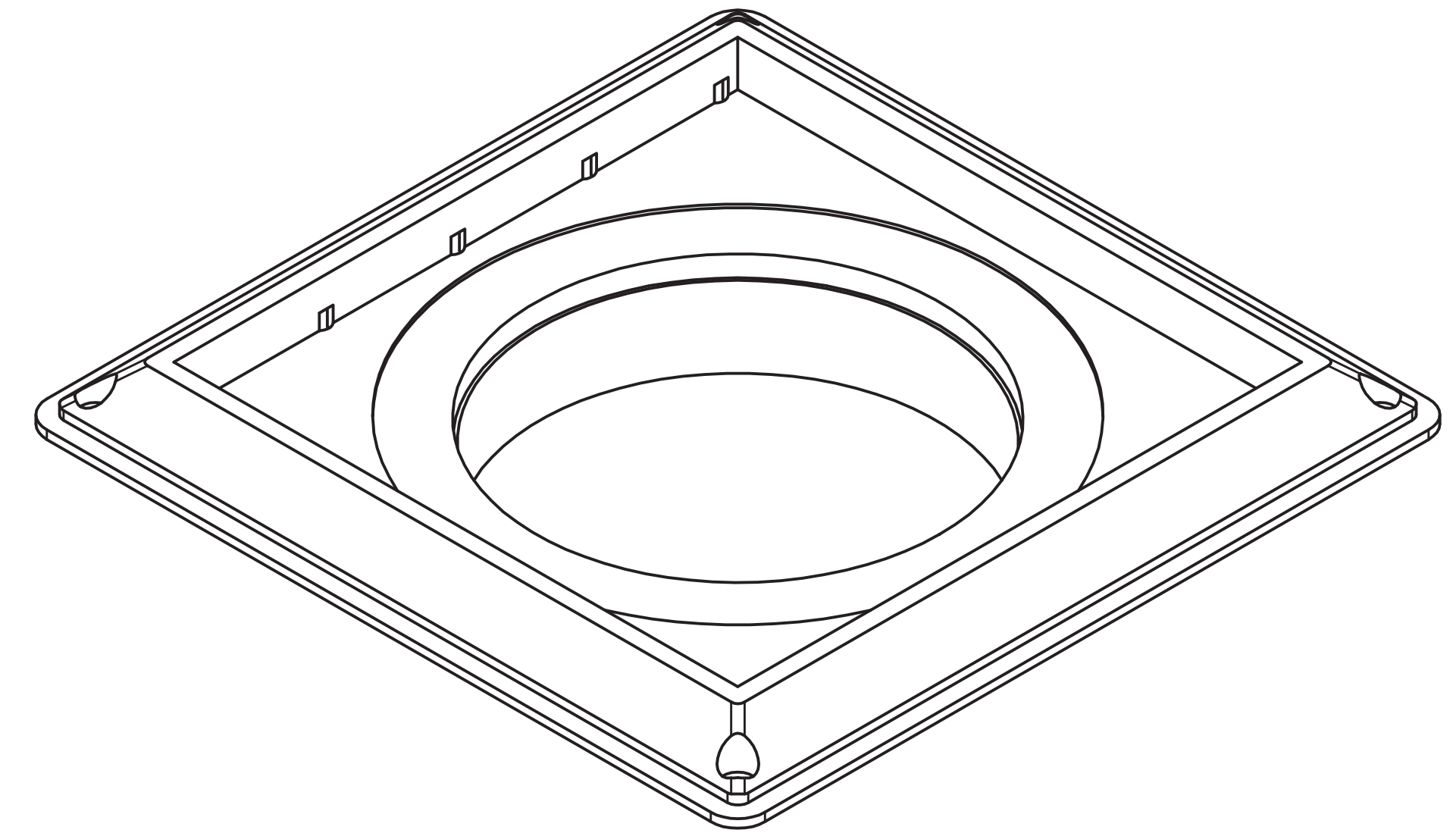
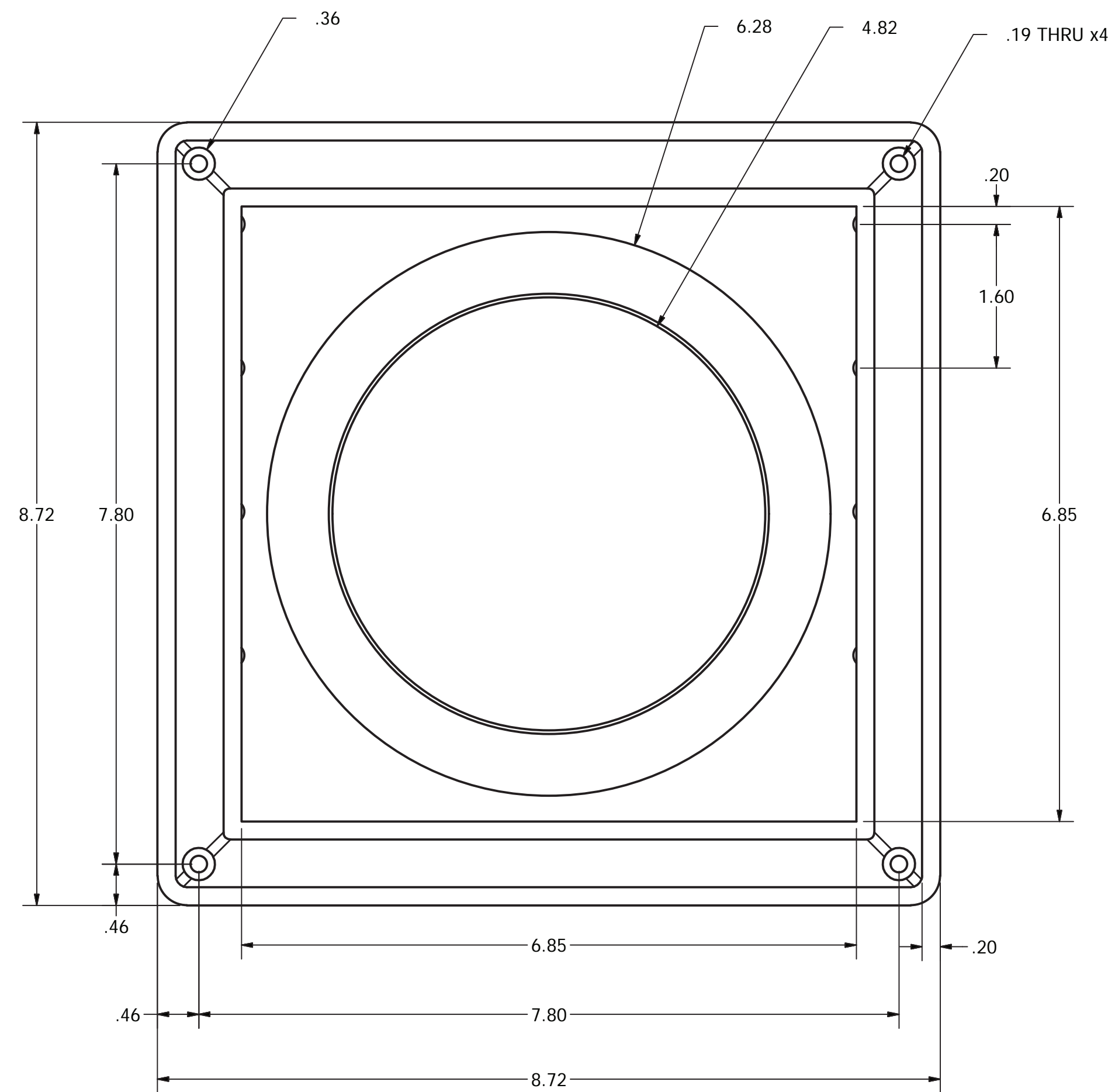



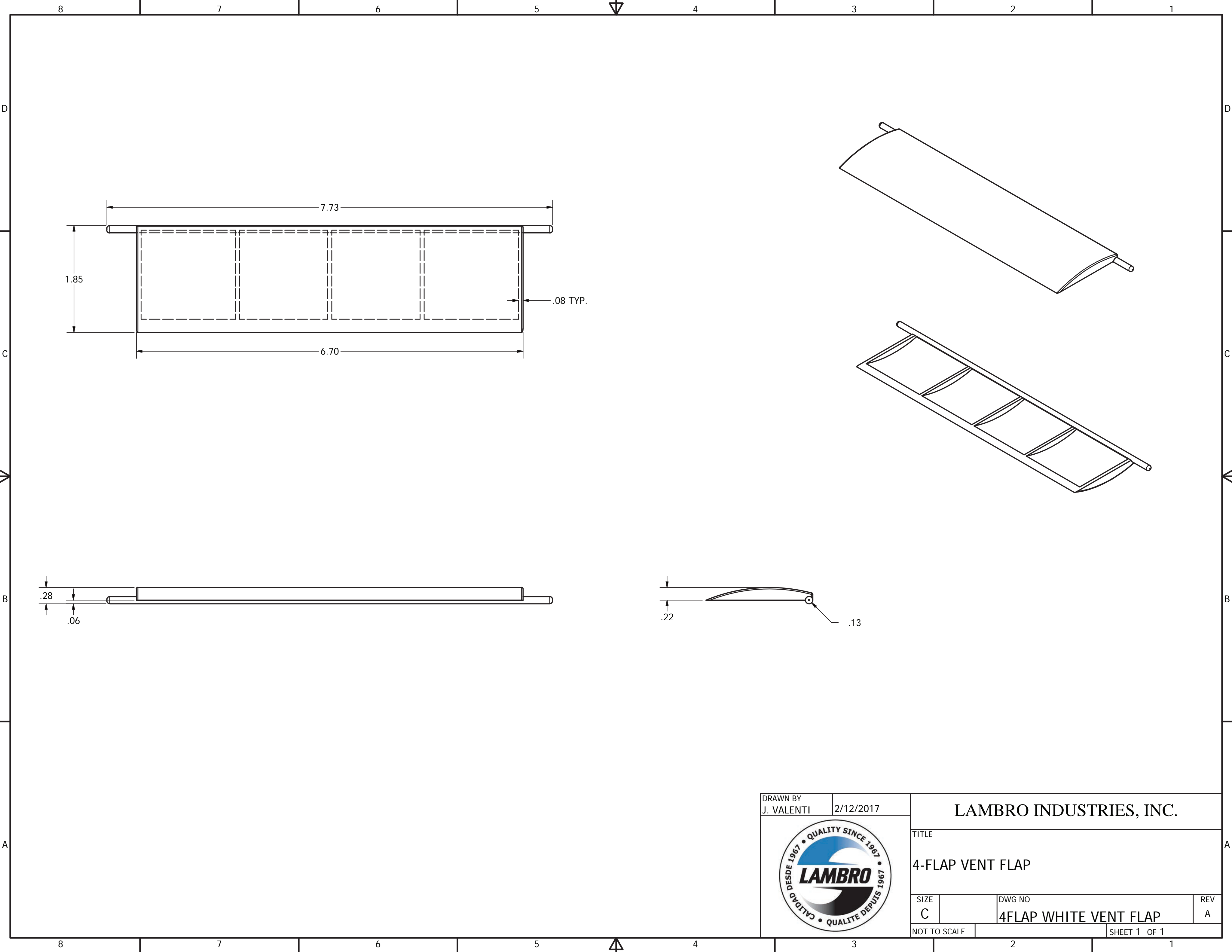
SECTION A-A

DRAWN BY J. VALENTI		2/12/2017		LAMBRO INDUSTRIES, INC.	
				4-FLAP WHITE VENT	
SIZE	D	DWG NO	4FLAP WHITE VENT Assembly		REV
NOT TO SCALE				SHEET 1 OF 1	



SECTION A-A

DRAWN BY J. VALENTI		2/12/2017		LAMBRO INDUSTRIES, INC.	
					
SIZE D	DWG NO 4FLAP WHITE VENT BASE	REV A	NOT TO SCALE SHEET 1 OF 1		



DRAWN BY
J. VALENTI

2/12/2017



LAMBRO INDUSTRIES, INC.

TITLE			
4-FLAP VENT FLAP			
SIZE	DWG NO	REV	
C	4FLAP WHITE VENT FLAP	A	
NOT TO SCALE		SHEET 1 OF 1	