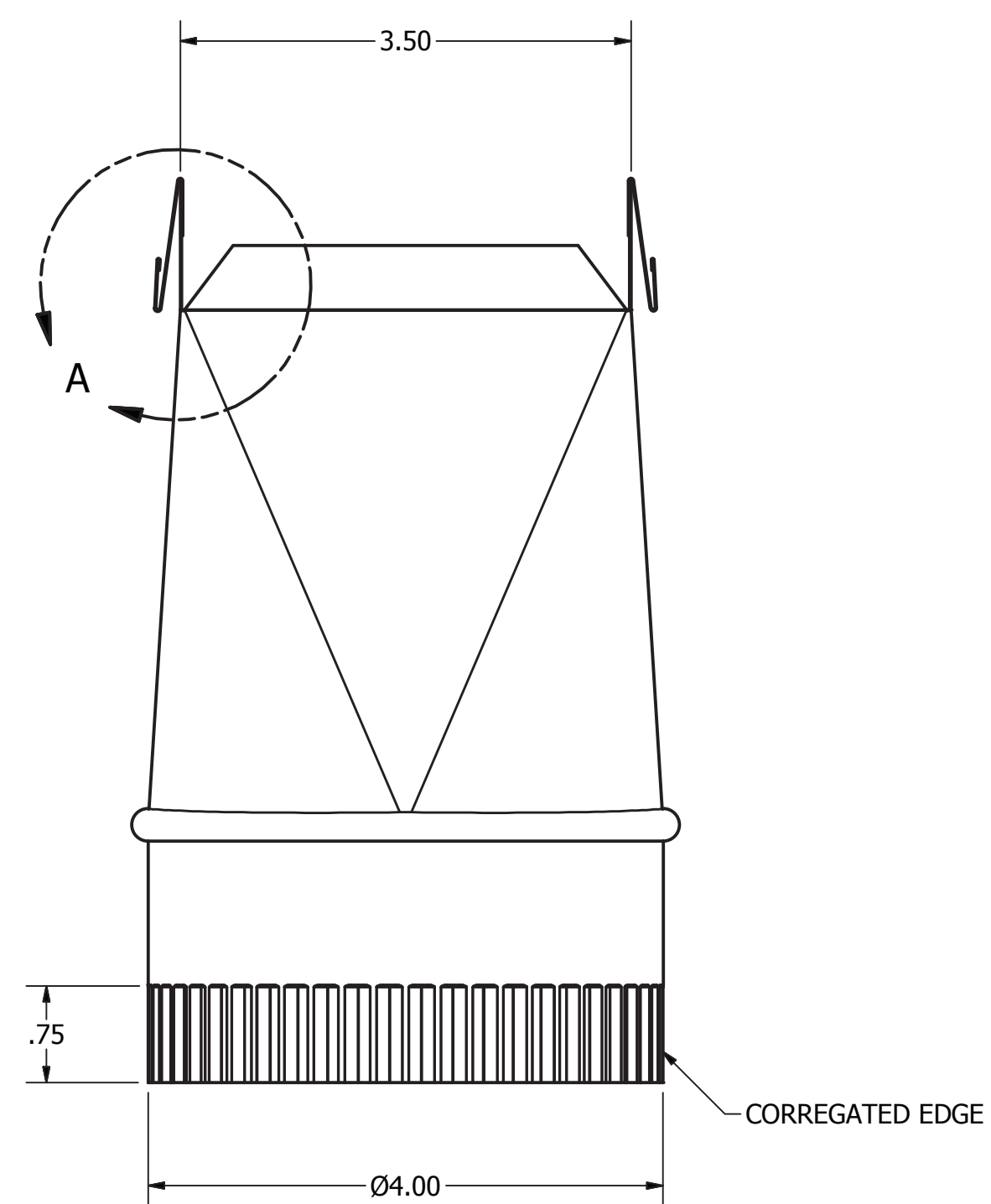
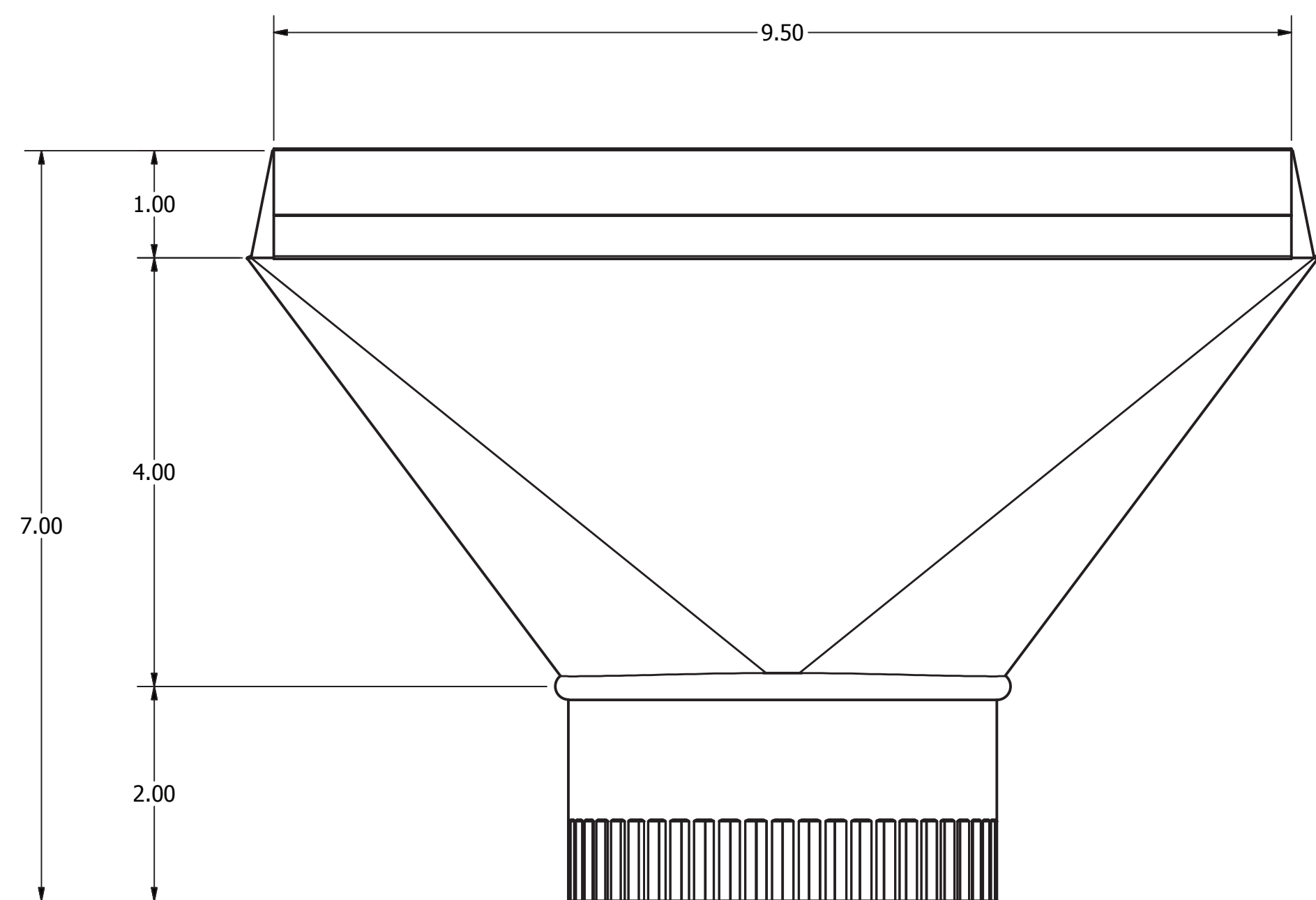
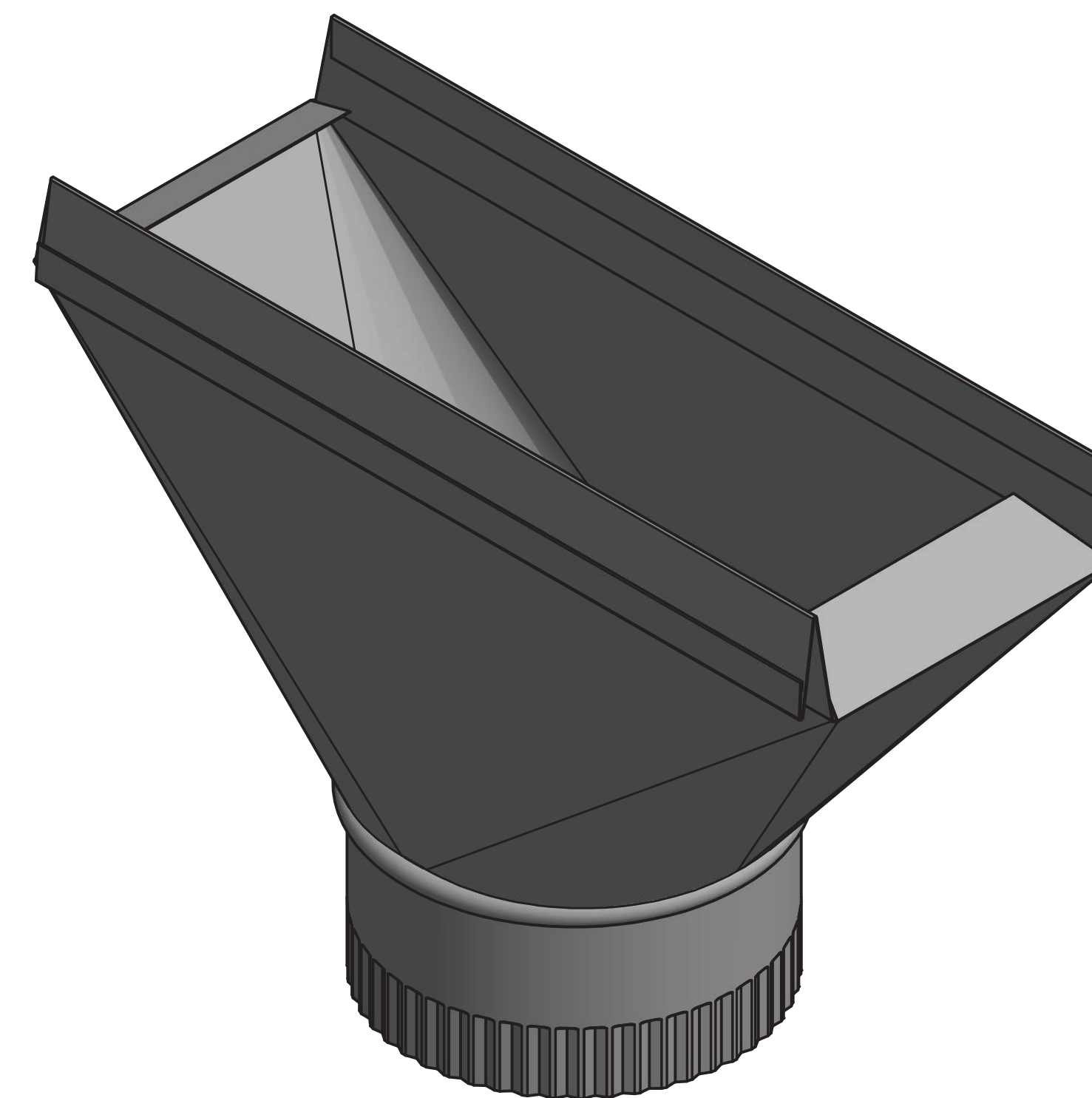


DETAIL A



CORRUGATED EDGE

DRAWN BY J. VALENTI		2/19/2017		LAMBRO INDUSTRIES, INC.	
TITLE 135 - ADAPTER					
SIZE D	DWG NO 135			REV A	
NOT TO SCALE				SHEET 1 OF 1	

