

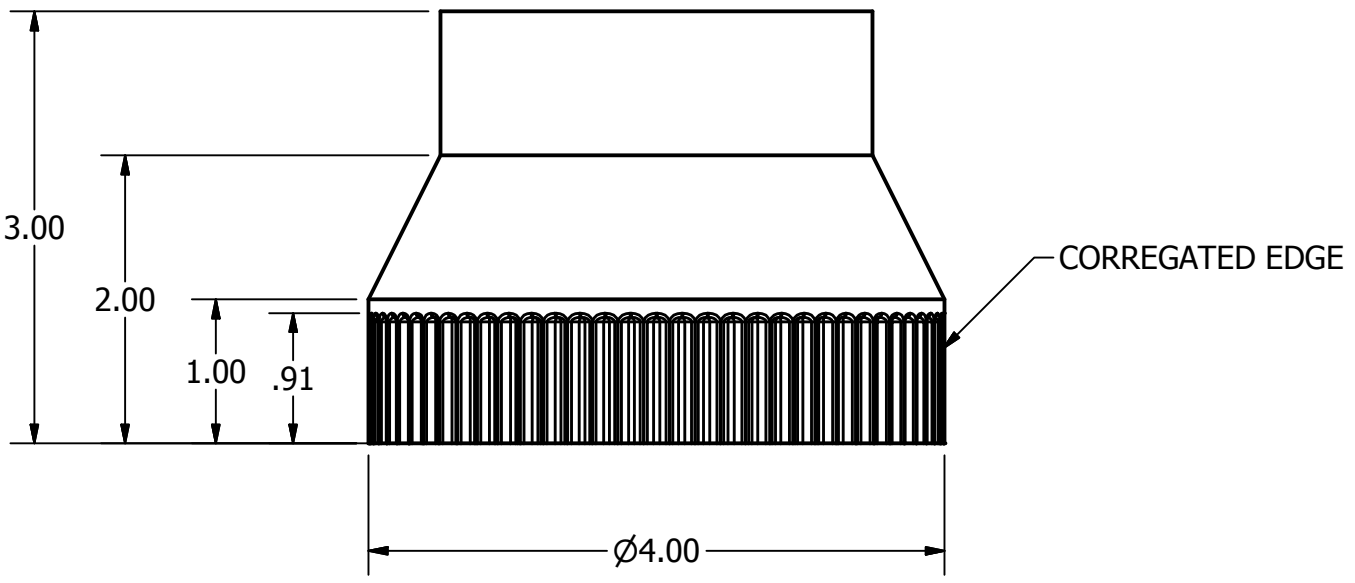
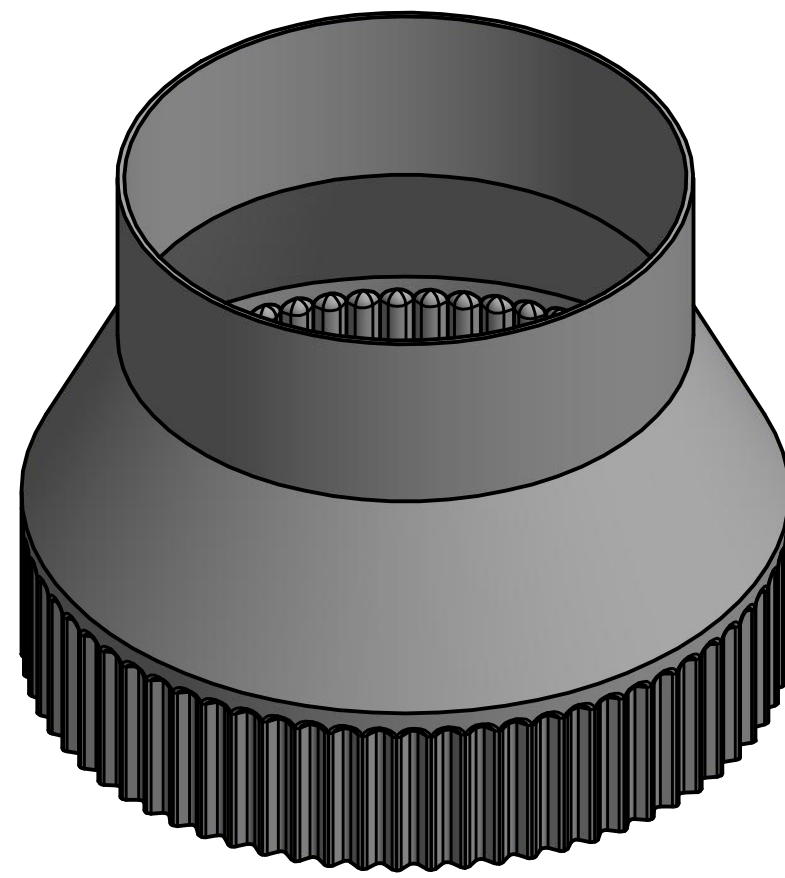
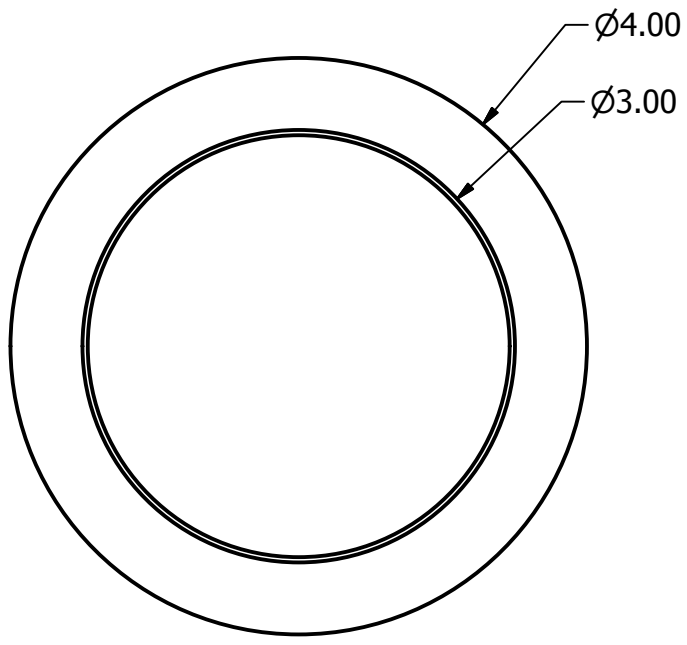
8 7 6 5 4 3 2 1

D

C

B

A



DRAWN BY
J. VALENTI 3/25/2017



LAMBRO INDUSTRIES, INC.

TITLE
251 - 4in to 3in REDUCER

SIZE B	DWG NO 251	REV A
-----------	---------------	----------

NOT TO SCALE SHEET 1 OF 1

8 7 6 5 4 3 2 1

A