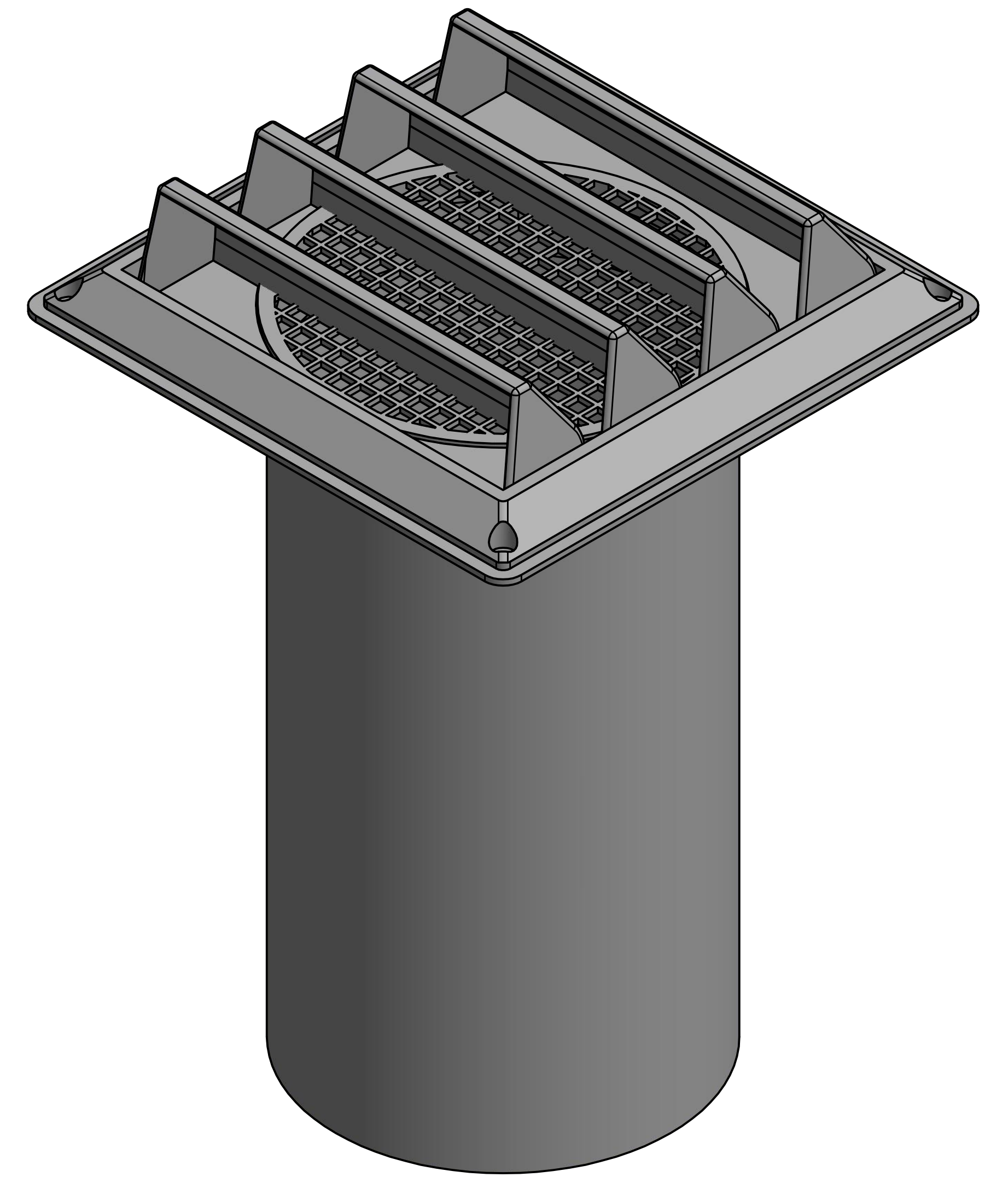
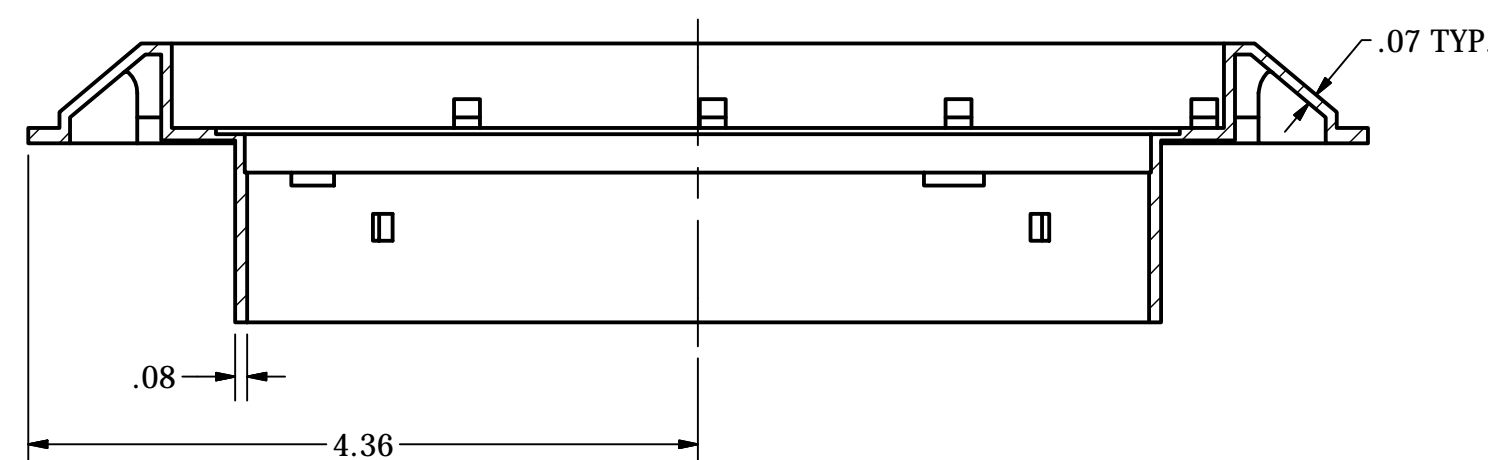
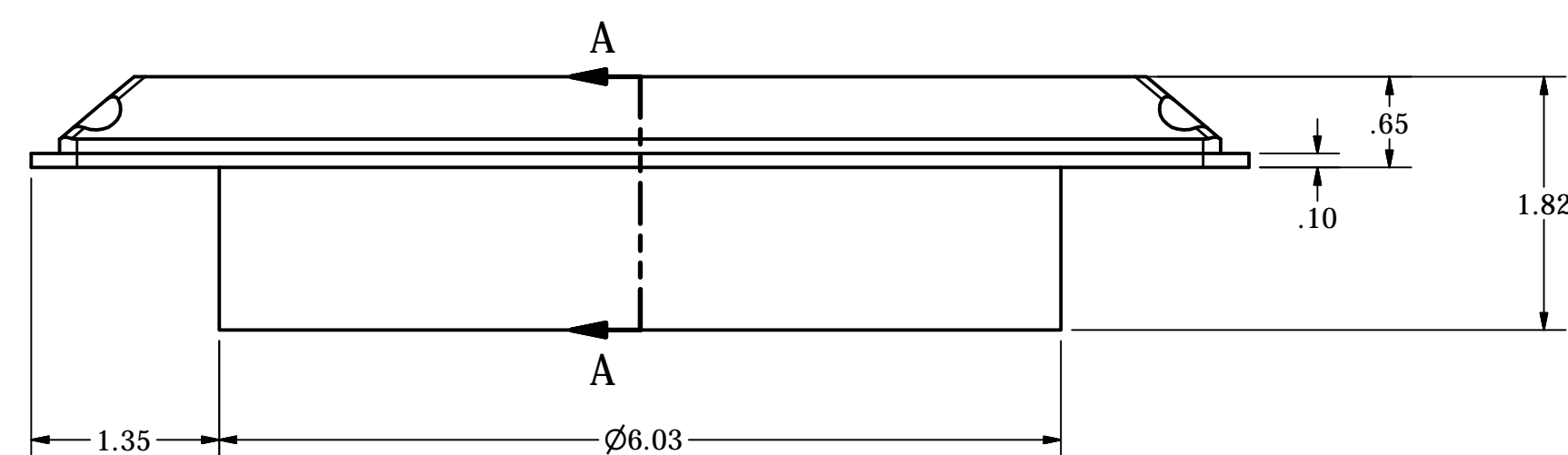
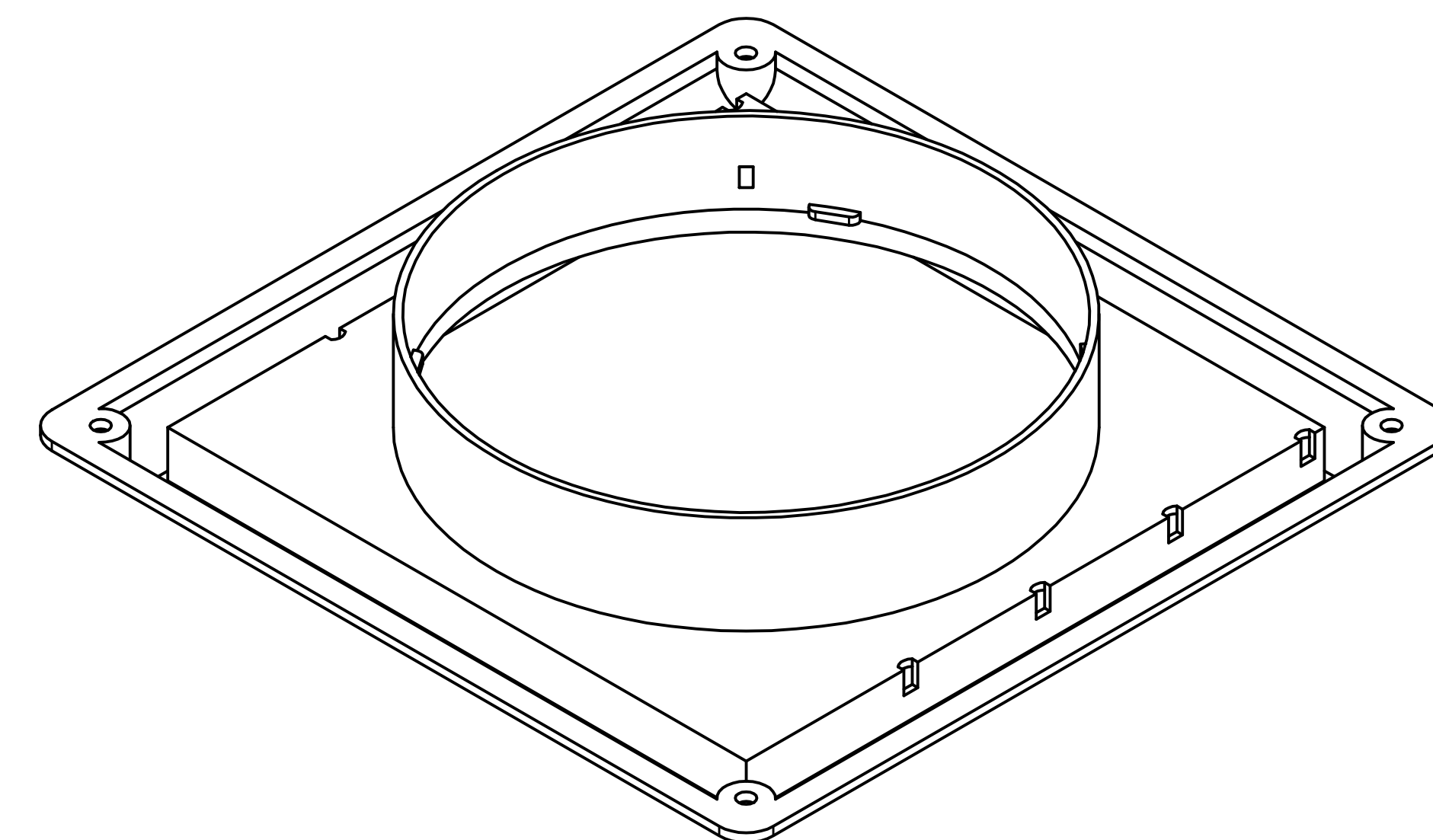
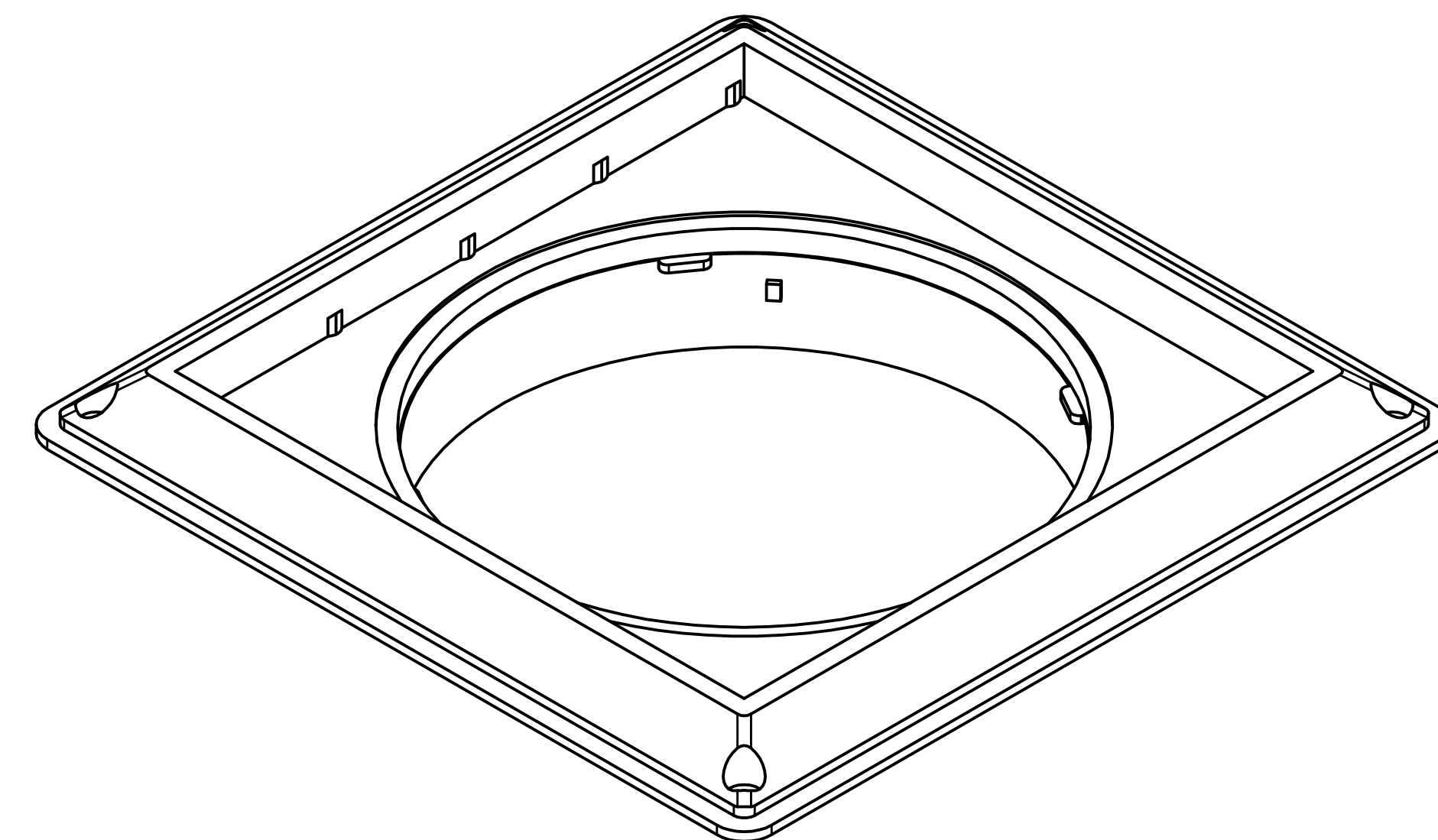
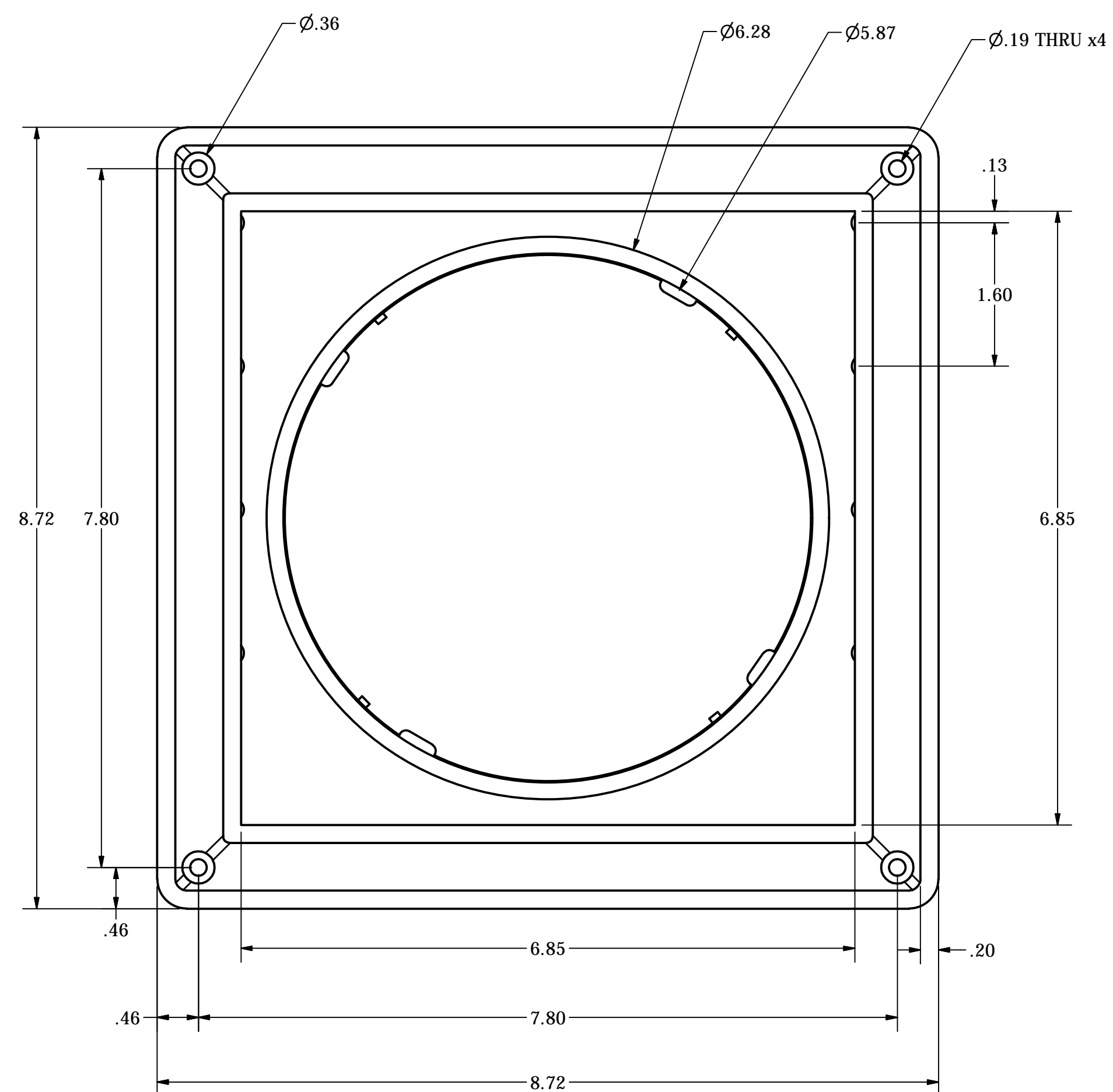



SECTION B-B

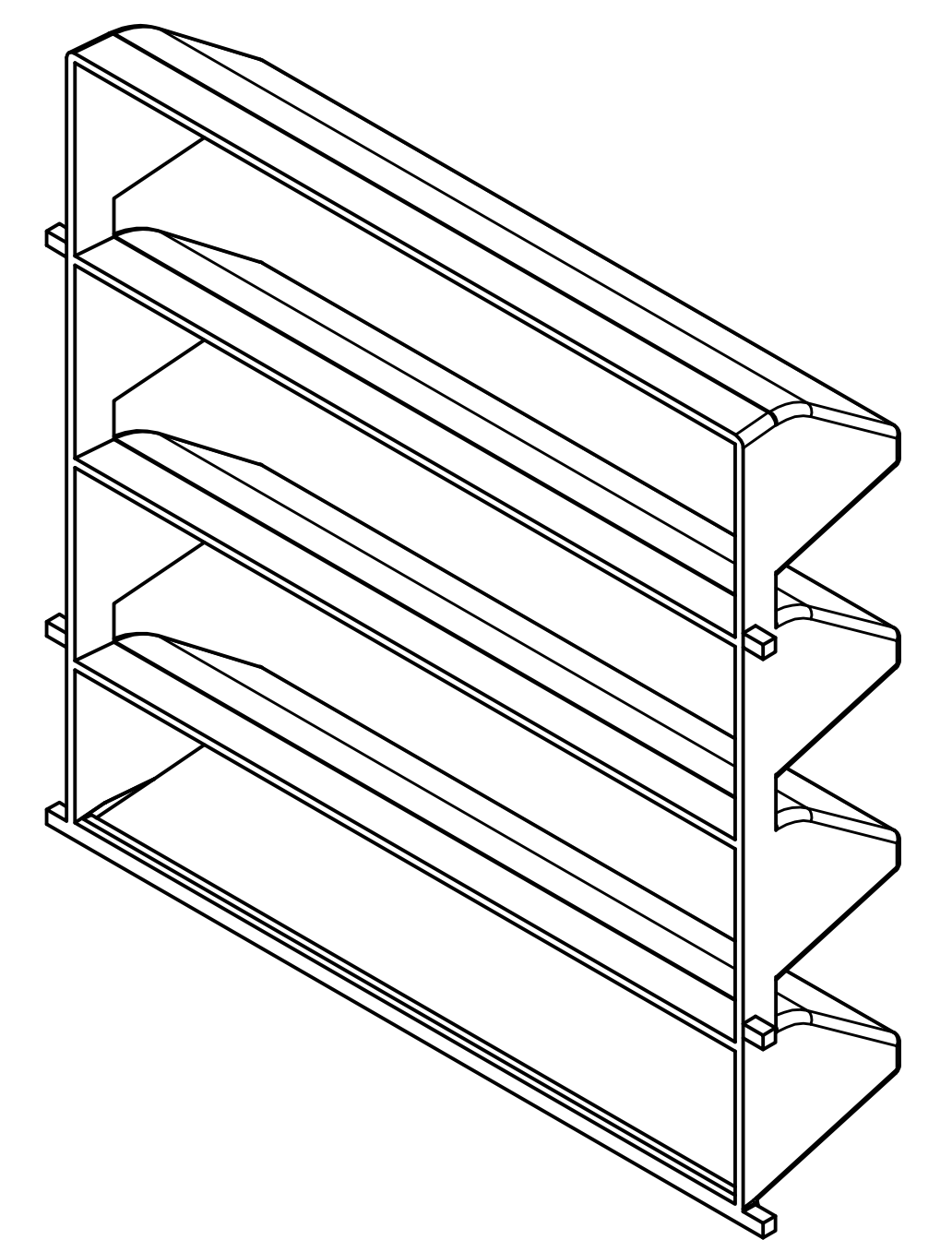
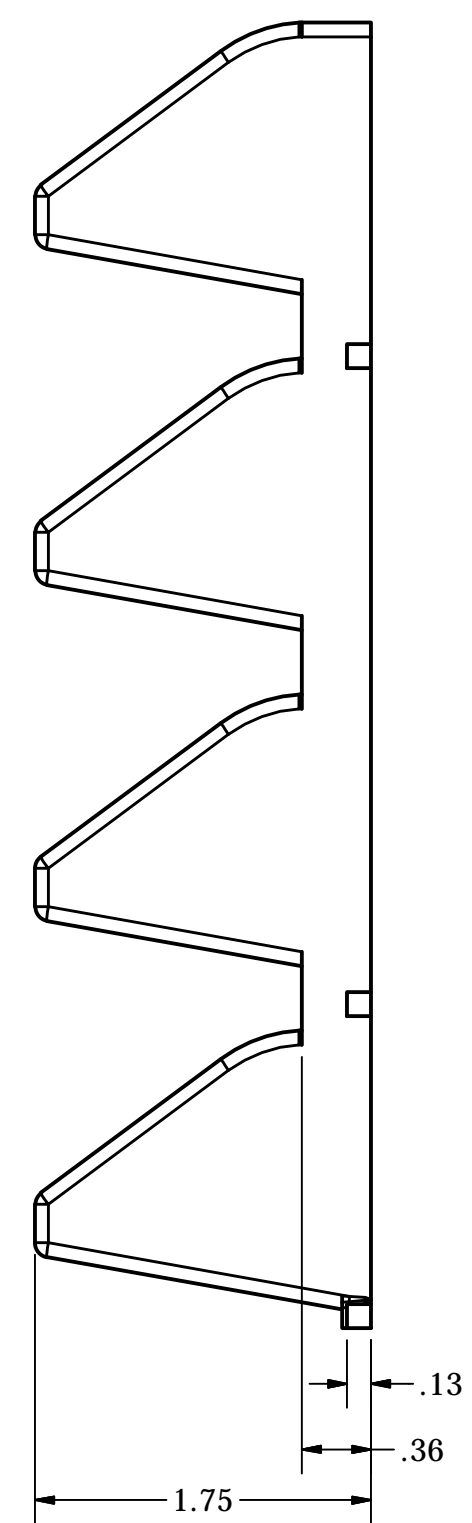
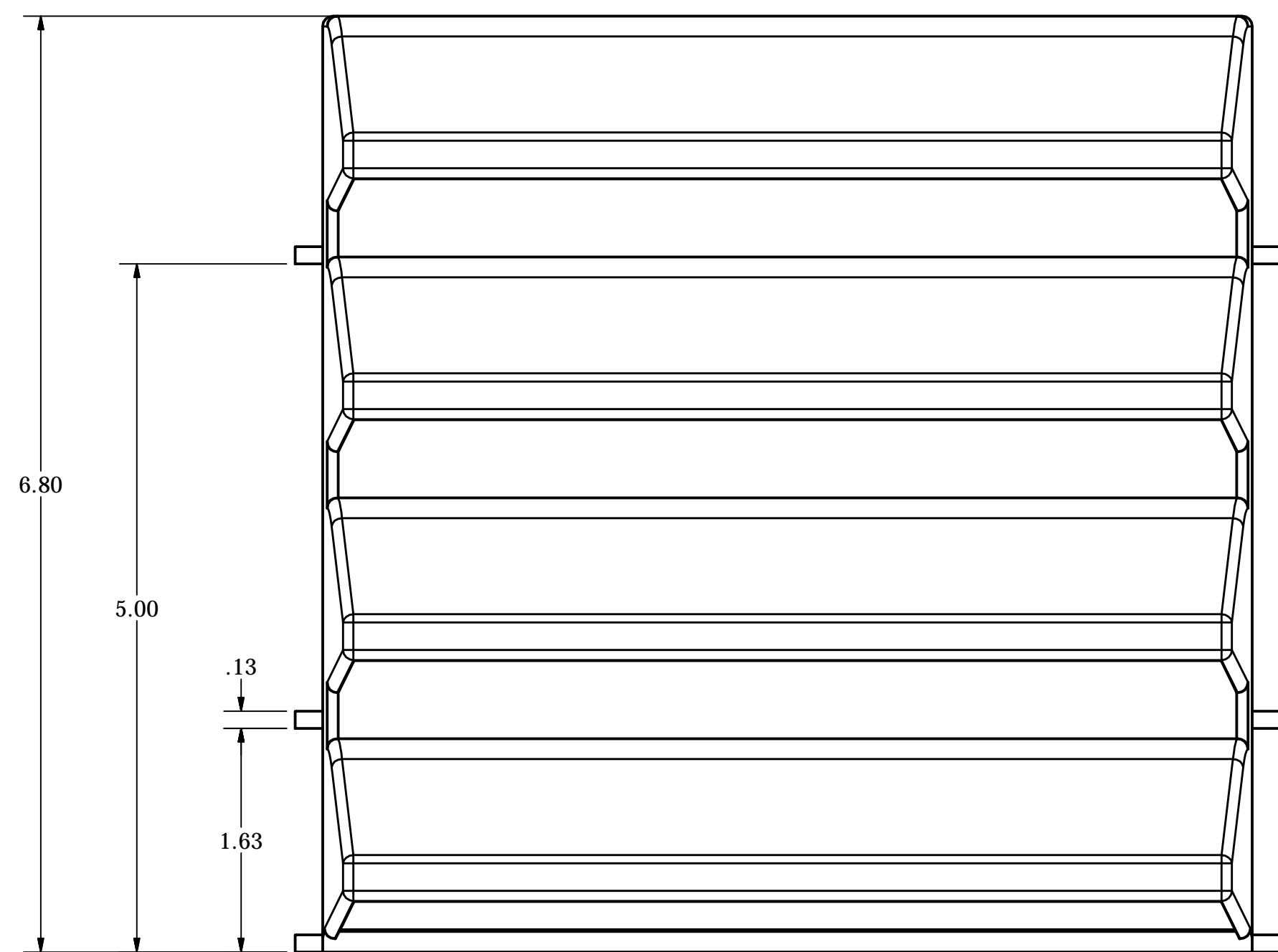
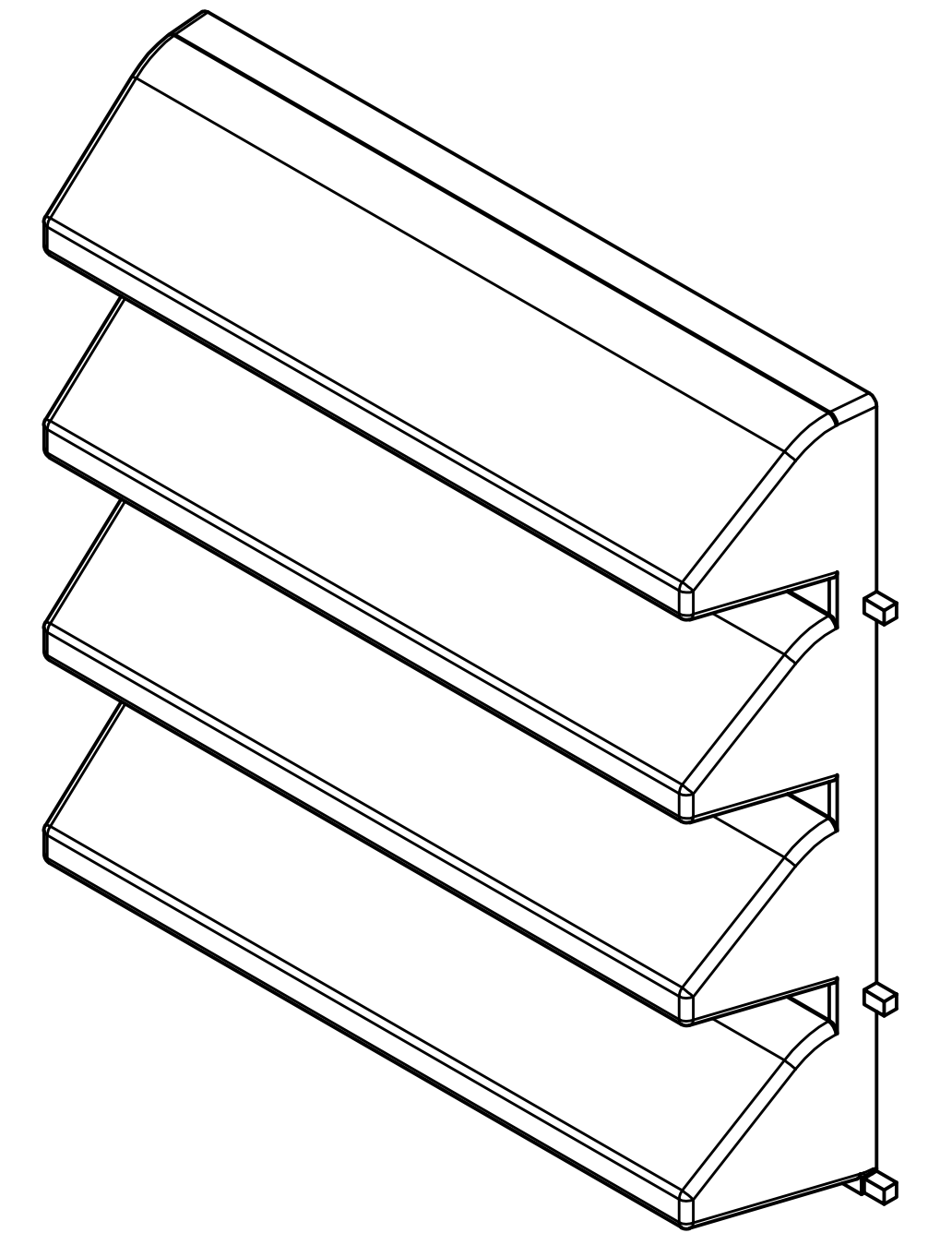
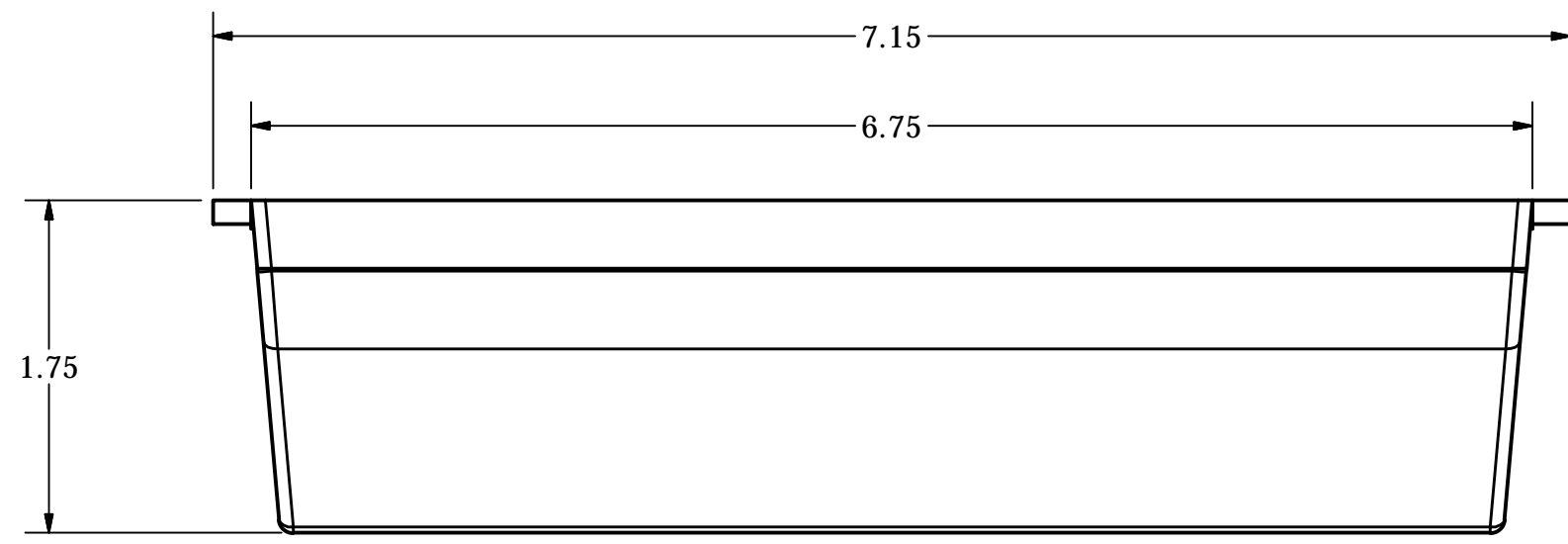



DRAWN BY J. VALENTI		3/5/2017		LAMBRO INDUSTRIES, INC.	
SIZE D	DWG NO 4-FIN WHITE VENT Assembly		REV A		
NOT TO SCALE			SHEET 1 OF 1		

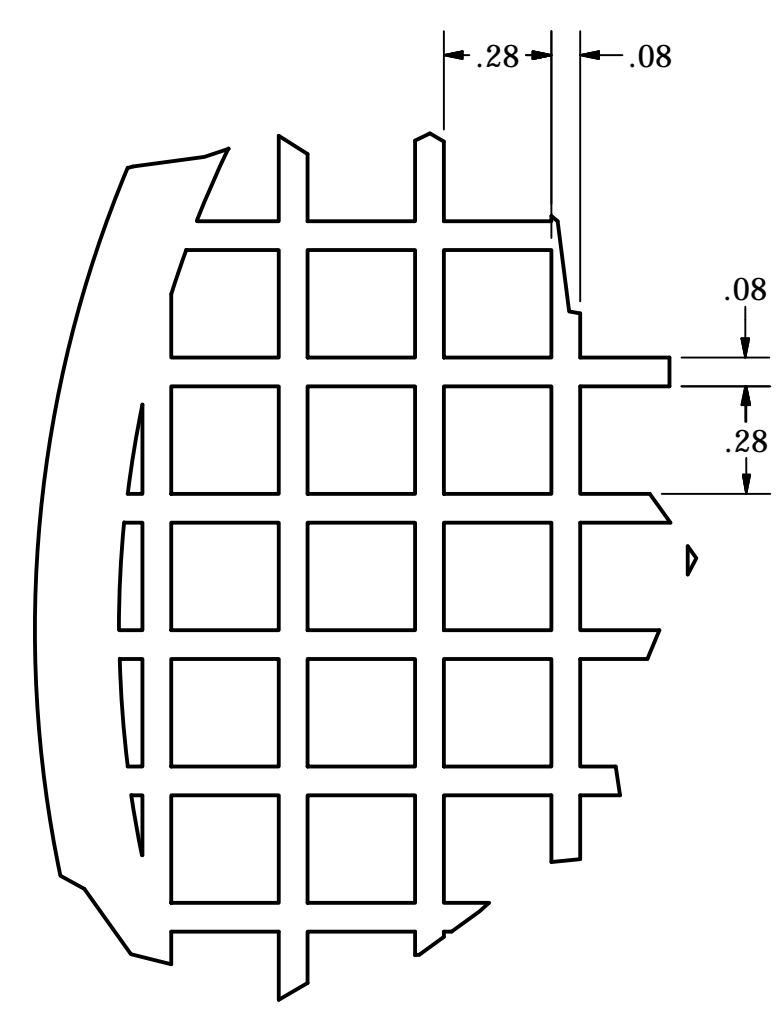
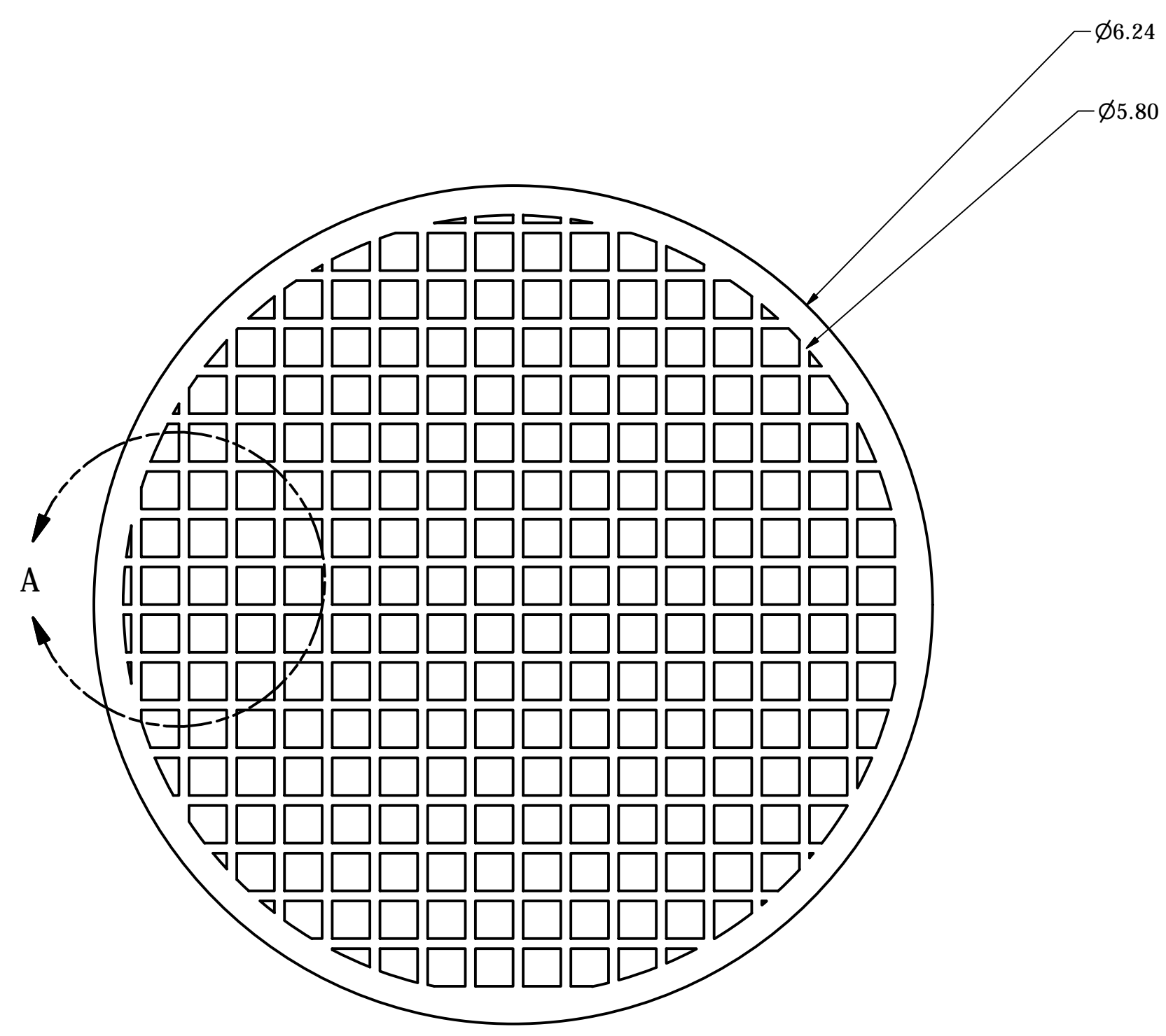


SECTION A-A

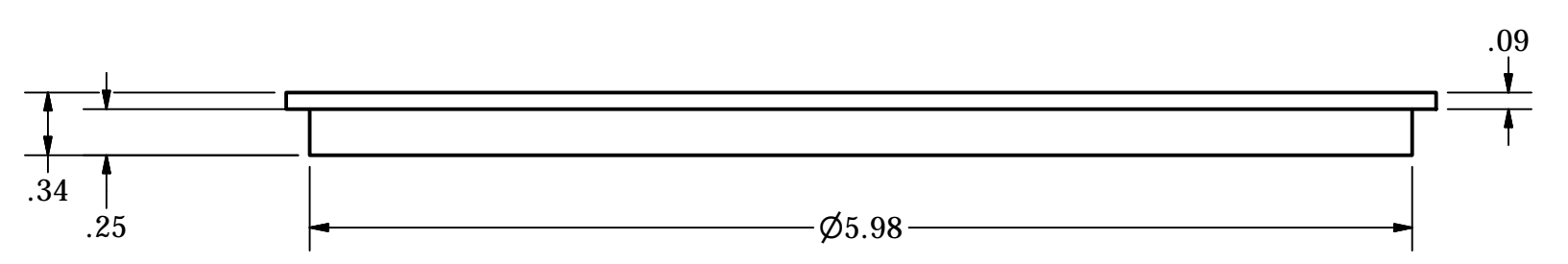
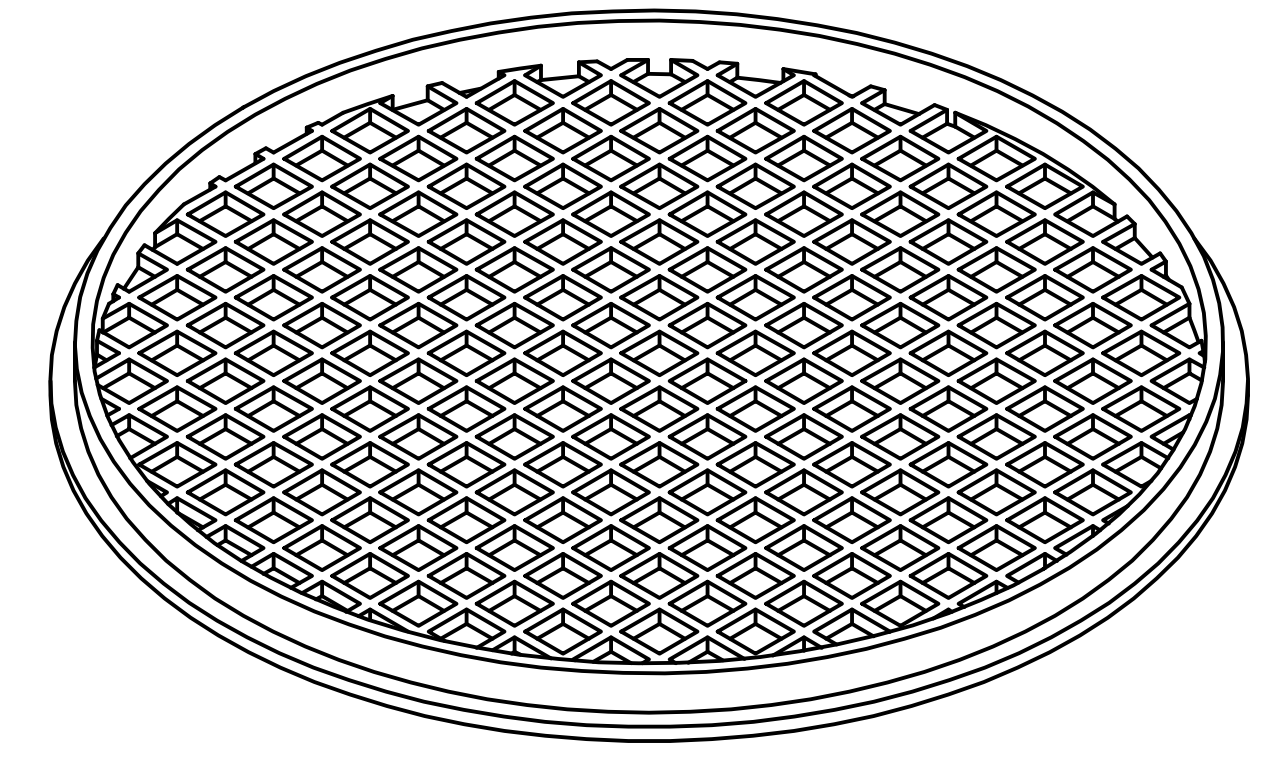
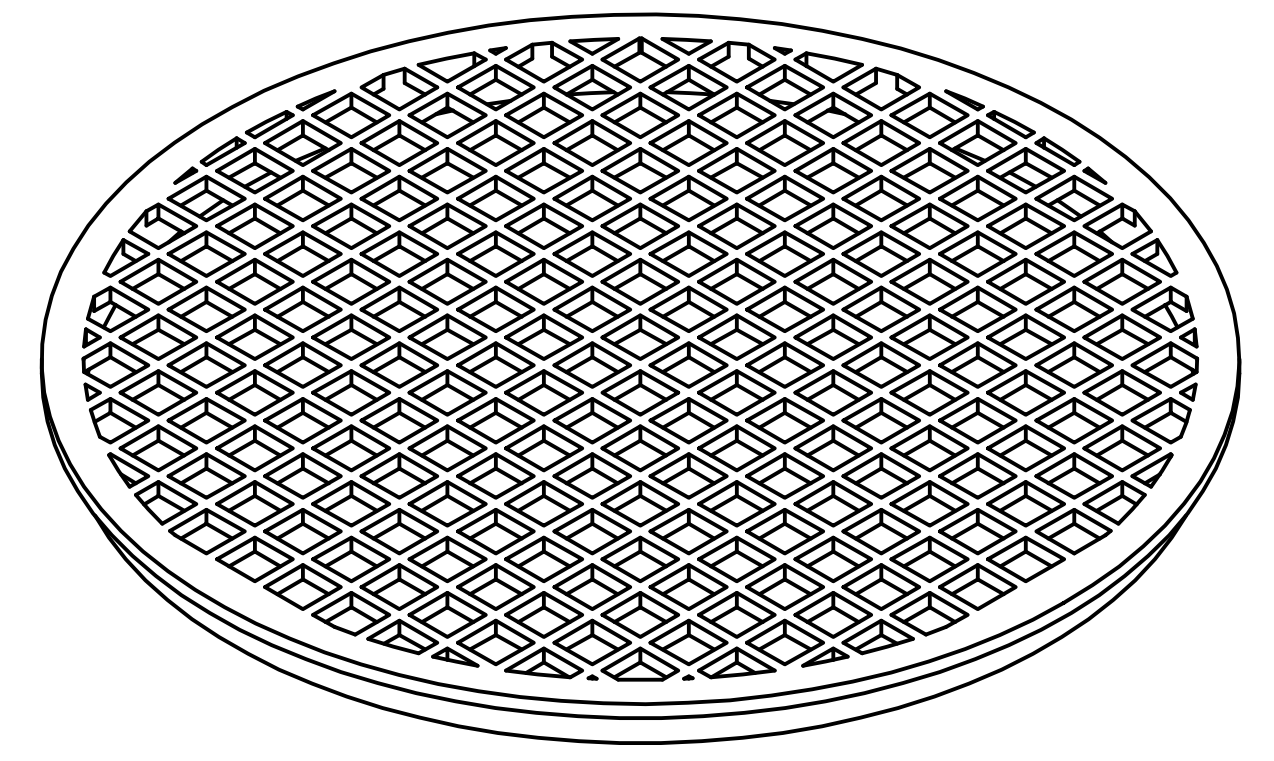
DRAWN BY J. VALENTI		3/5/2017		LAMBRO INDUSTRIES, INC.	
					
SIZE D	DWG NO 4FIN WHITE VENT BASE	REV A	NOT TO SCALE		
				SHEET 1 OF 1	



DRAWN BY J. VALENTI		3/5/2017		LAMBRO INDUSTRIES, INC.	
					
SIZE D	DWG NO 4FIN VENT		REV A		
NOT TO SCALE			SHEET 1 OF 1		



DETAIL A



DRAWN BY J. VALENTI		3/5/2017		LAMBRO INDUSTRIES, INC.	
SIZE D	DWG NO 6 in PORT - SCREEN			REV A	
NOT TO SCALE				SHEET 1 OF 1	