

4

3

2

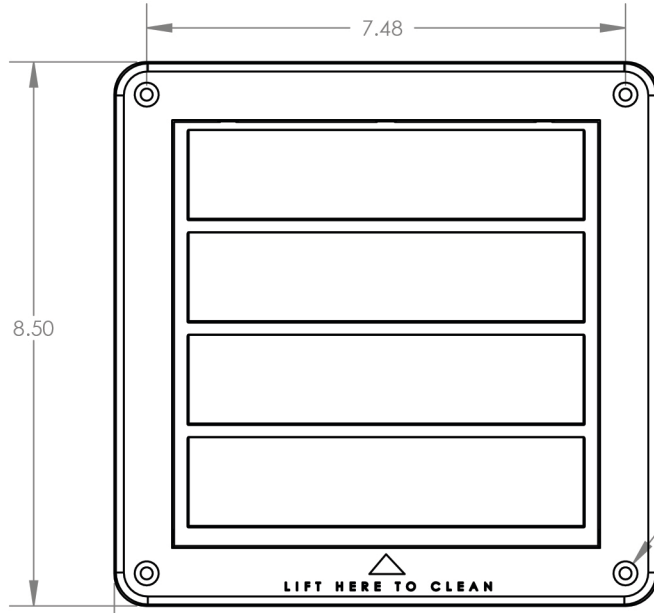
1

B

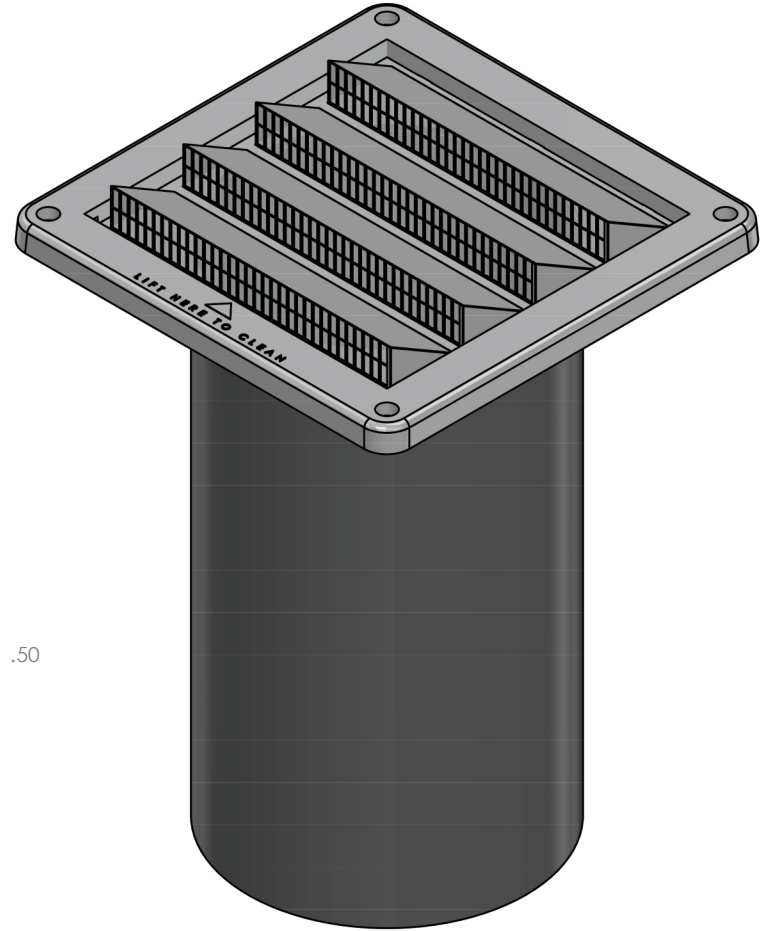
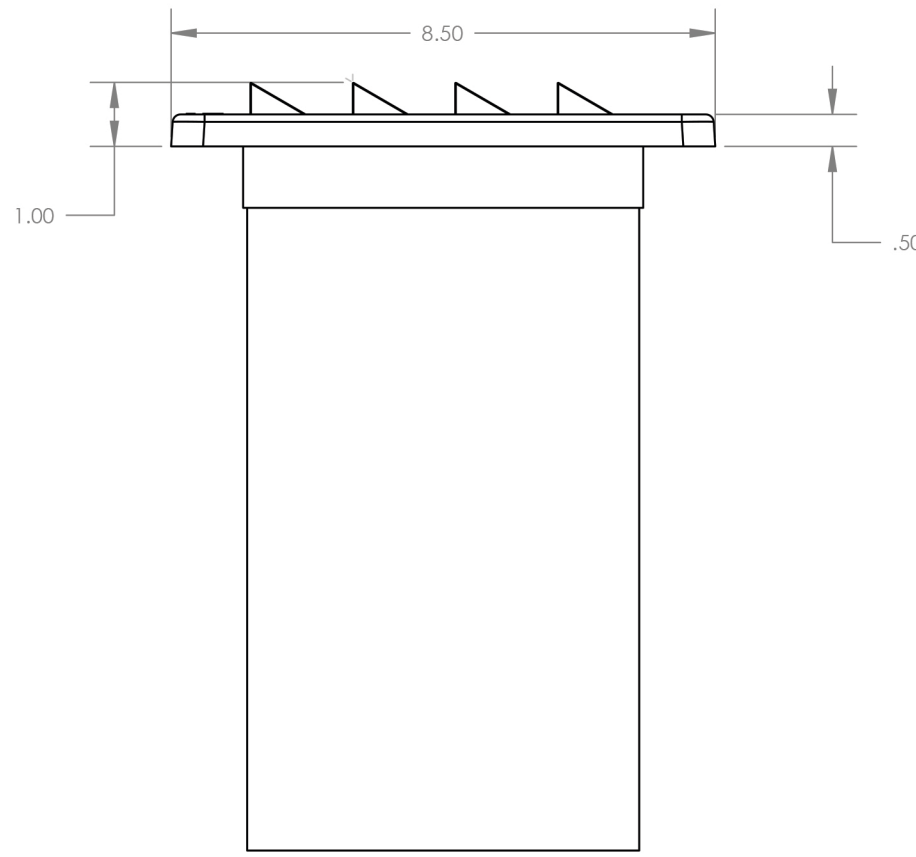
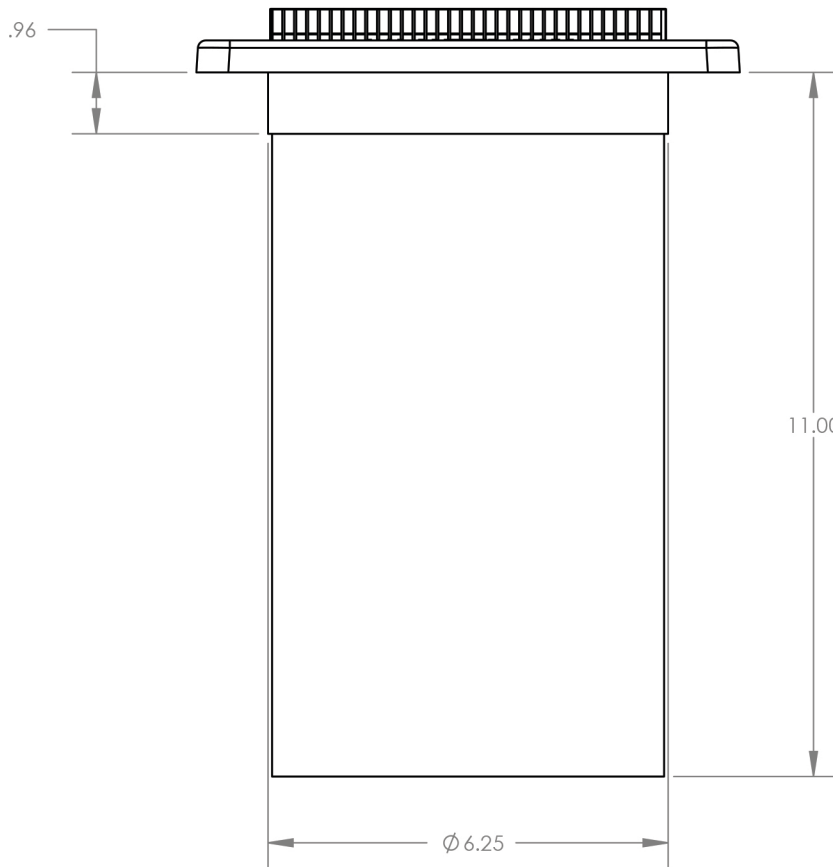
B

A

A



4X  $\phi$  .19 THRU ALL  
 $\square$   $\phi$  .38  $\nabla$  .25



Lambro Industries, Inc.  
 115 Albany Ave.  
 Amityville, NY 11701  
 (631) 842-8088  
 www.lambro.net



**PROPRIETARY AND CONFIDENTIAL**  
 THE INFORMATION CONTAINED IN THIS DRAWING IS THE SOLE PROPERTY OF LAMBRO. ANY REPRODUCTION IN PART OR AS A WHOLE WITHOUT THE WRITTEN PERMISSION OF LAMBRO IS PROHIBITED.

UNLESS OTHERWISE SPECIFIED:		NAME	DATE
DIMENSIONS ARE IN INCHES		DRAWN	
TOLERANCES:		CHECKED	
FRACTIONAL $\pm$ 1/16		ENG APPR.	
ANGULAR: MACH $\pm$ 1 BEND $\pm$ .01		MFG APPR.	
TWO PLACE DECIMAL $\pm$ 0.01		Q.A.	
THREE PLACE DECIMAL $\pm$ 0.005		COMMENTS:	
INTERPRET GEOMETRIC TOLERANCING PER:		Net Free Area (NFA)	
MATERIAL		14 sq. in.	
FINISH			
NEXT ASSY	USED ON		
APPLICATION		DO NOT SCALE DRAWING	

TITLE: 6" Plastic Fresh Air Intake Vent (Rain Guard) 11" Pipe		
SIZE	DWG. NO.	REV
<b>B</b>	<b>606WTP</b>	
SCALE: 1:3	WEIGHT:	SHEET 1 OF 1

4

3

2

1