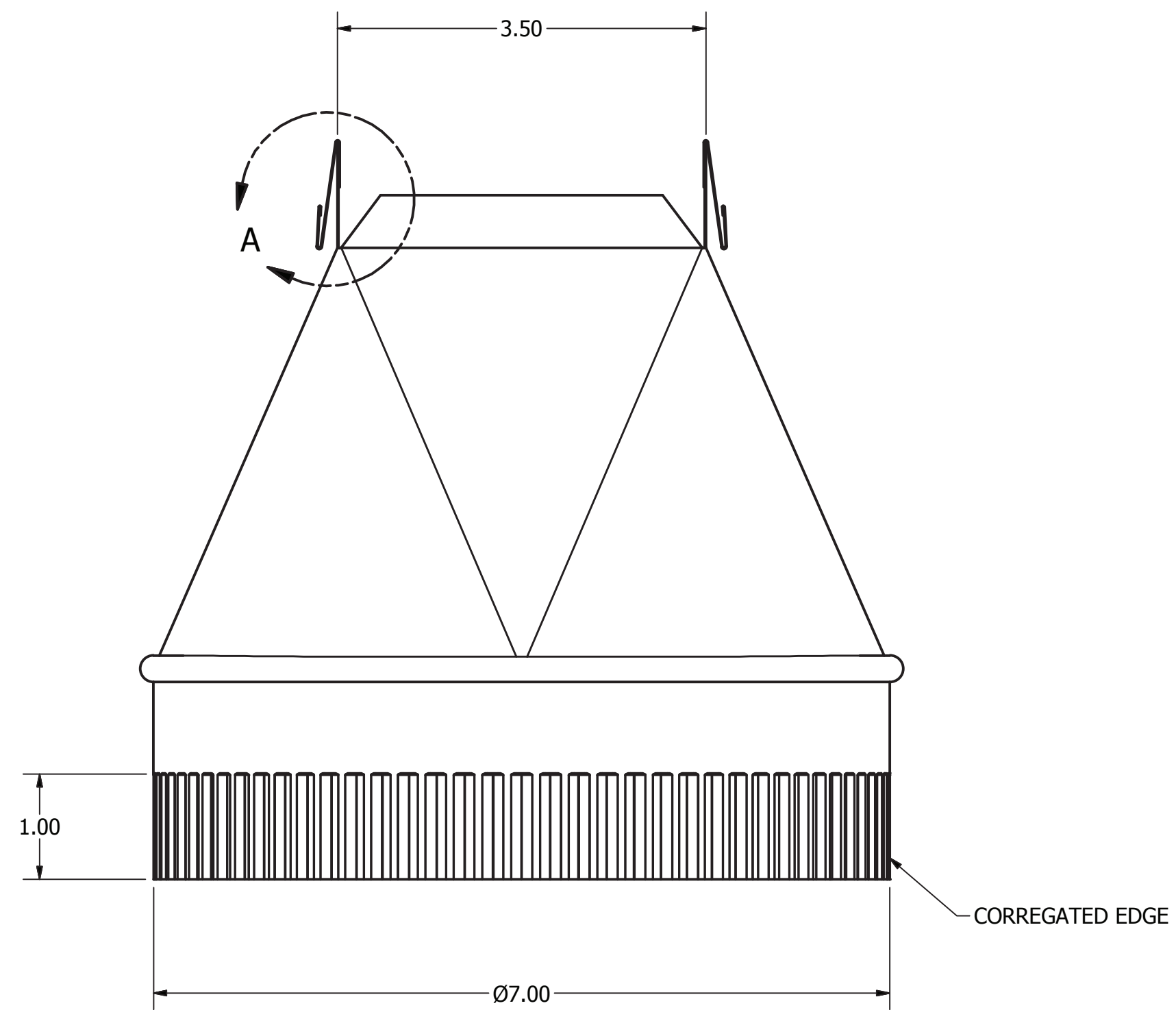
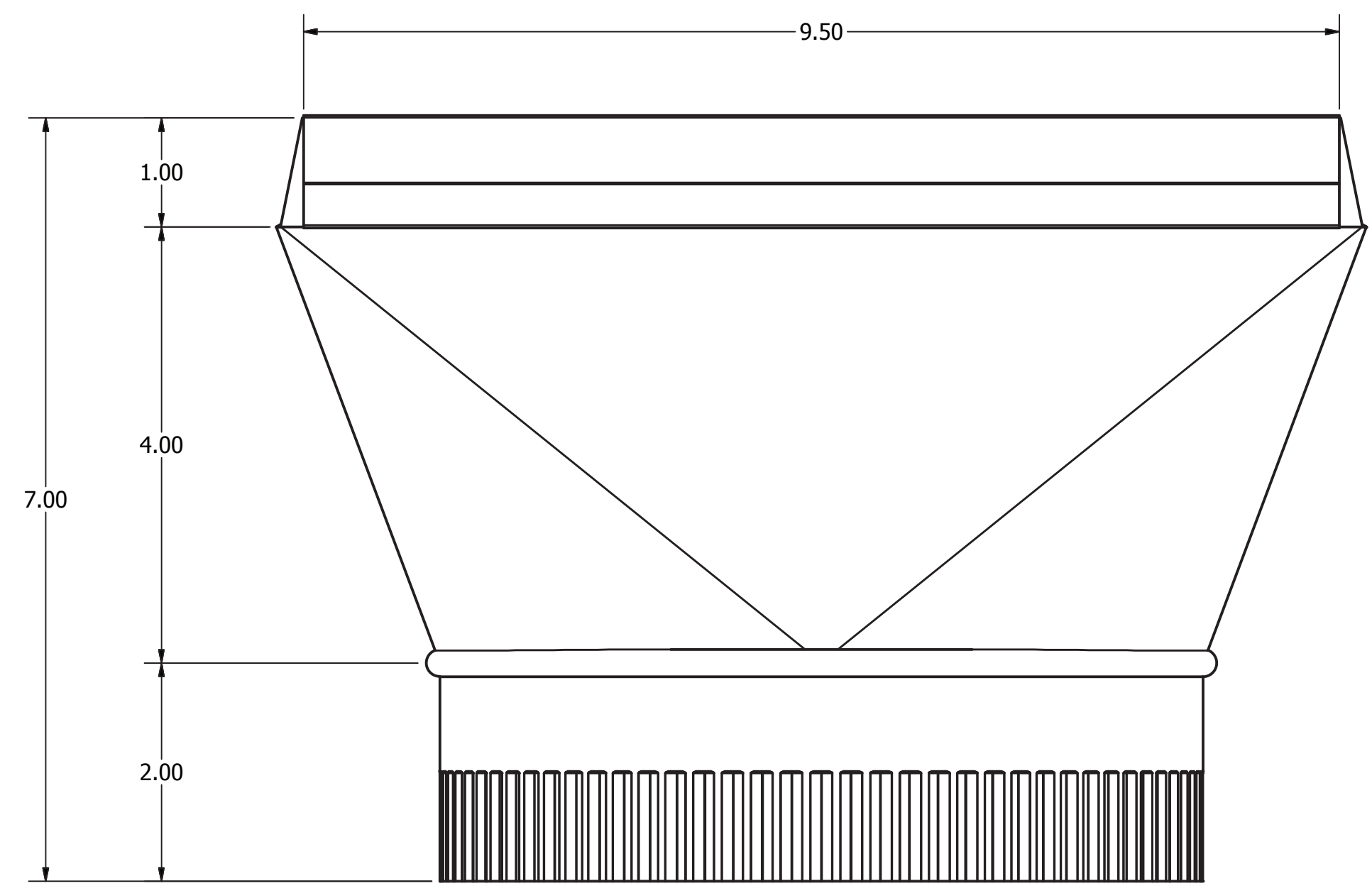
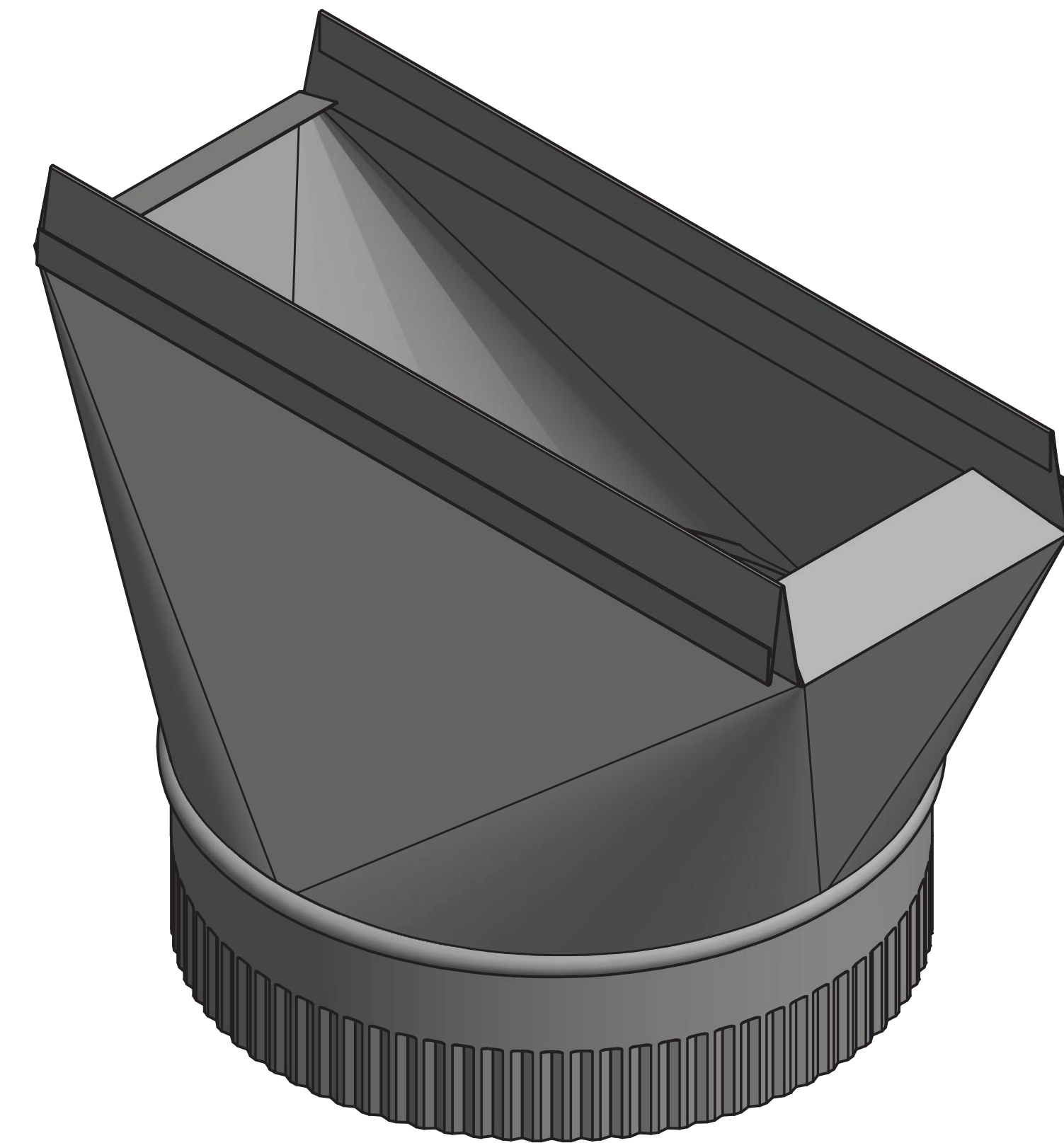


DETAIL A



DRAWN BY J. VALENTI		2/19/2017		LAMBRO INDUSTRIES, INC.	
TITLE 138 - ADAPTER					
SIZE D	DWG NO 138			REV A	
NOT TO SCALE				SHEET 1 OF 1	

