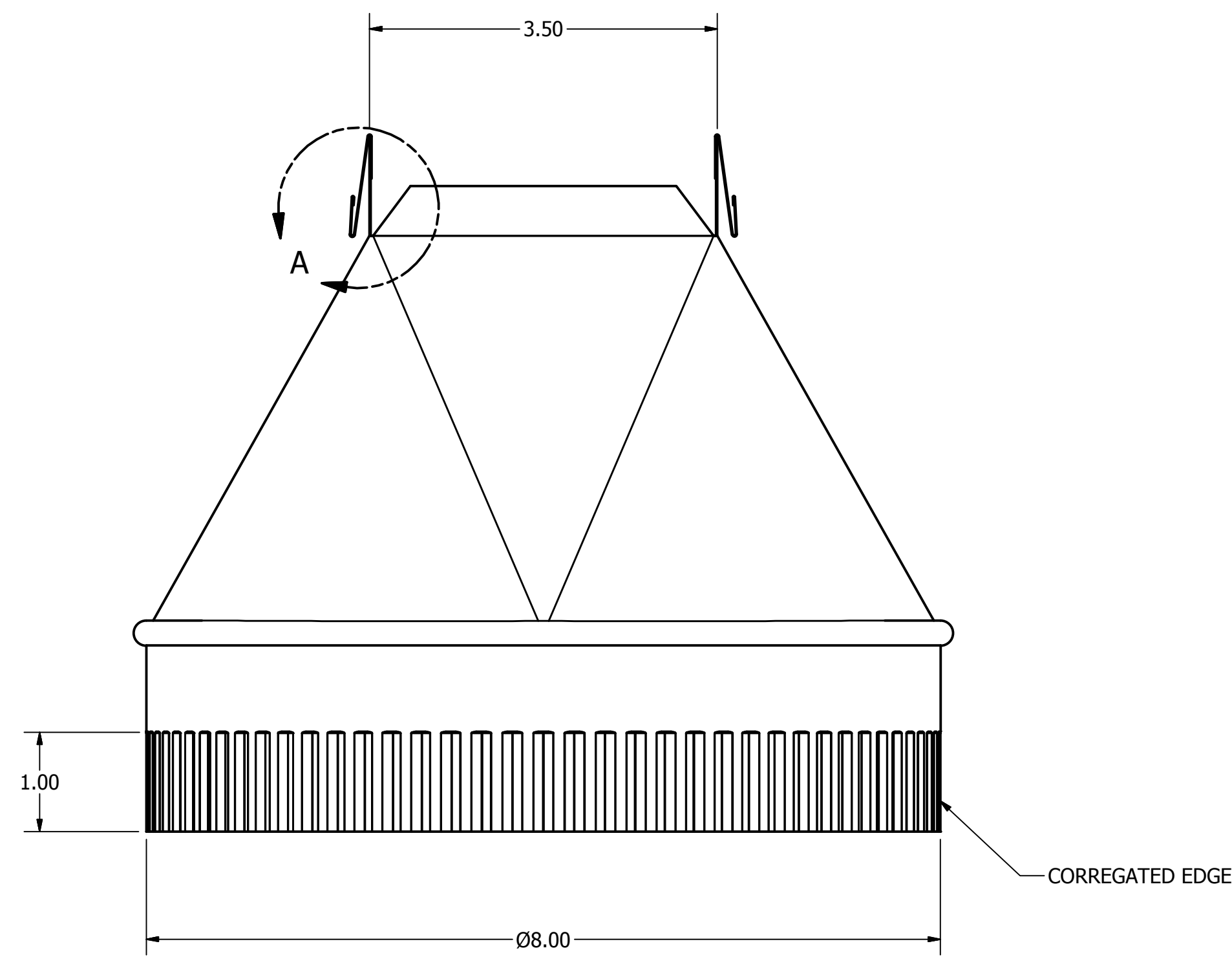
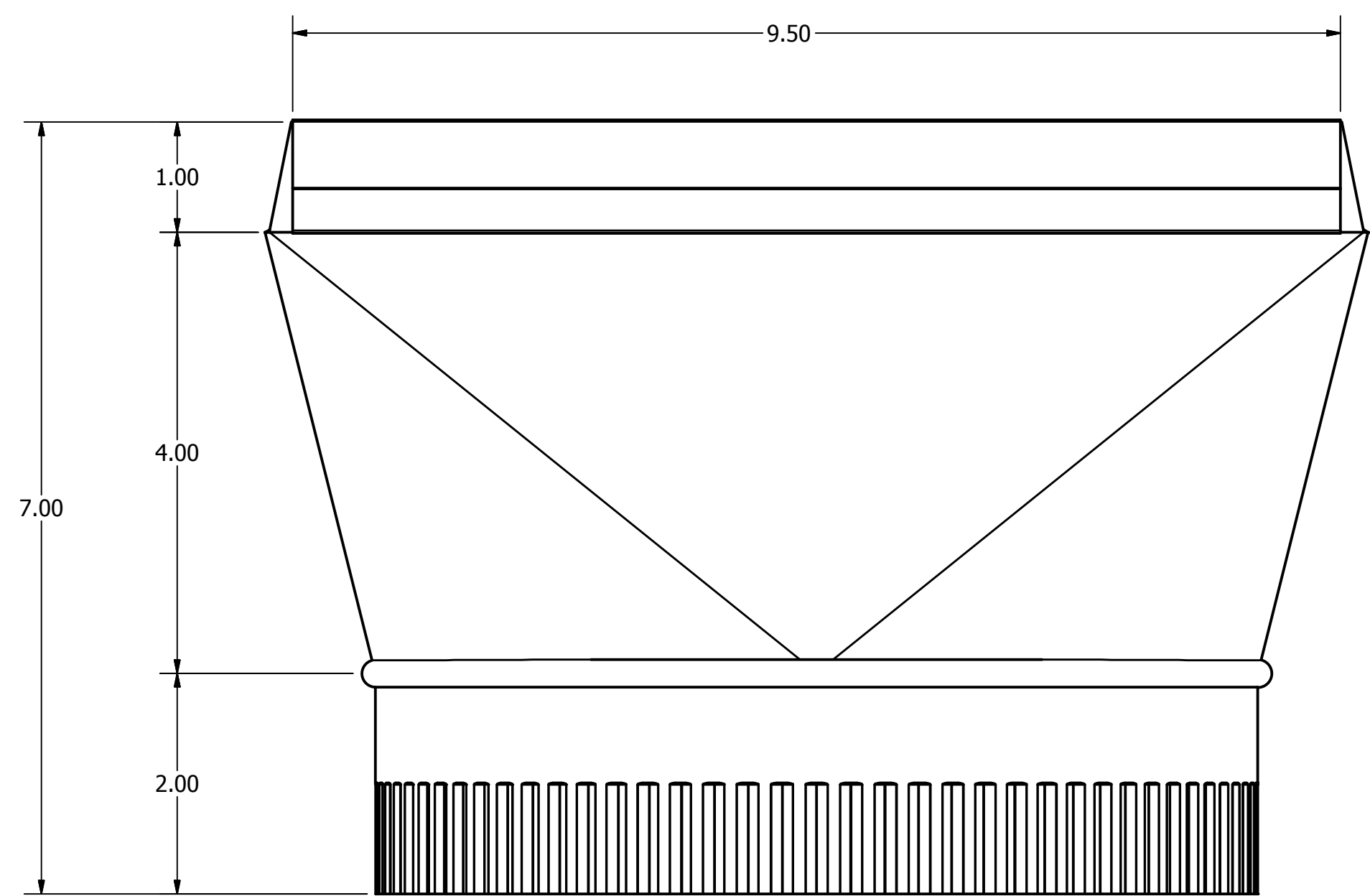
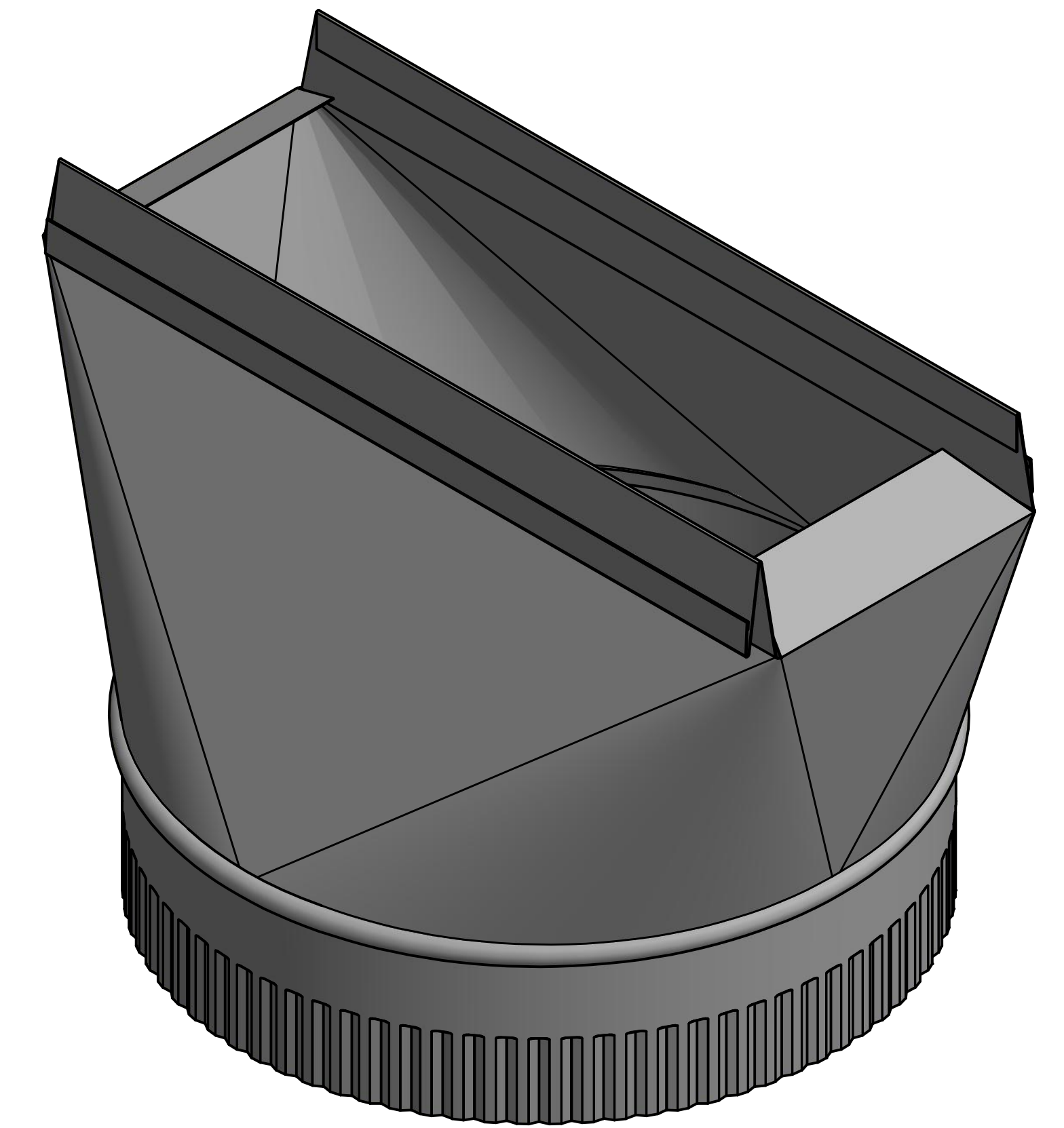


DETAIL A



MATERIAL: 0.01" THK GALVANIZED ALUMINUM

DRAWN BY J. VALENTI		2/19/2017		LAMBRO INDUSTRIES, INC.	
TITLE 139 - ADPATER					
SIZE D	DWG NO 139			REV A	
NOT TO SCALE				SHEET 1 OF 1	

