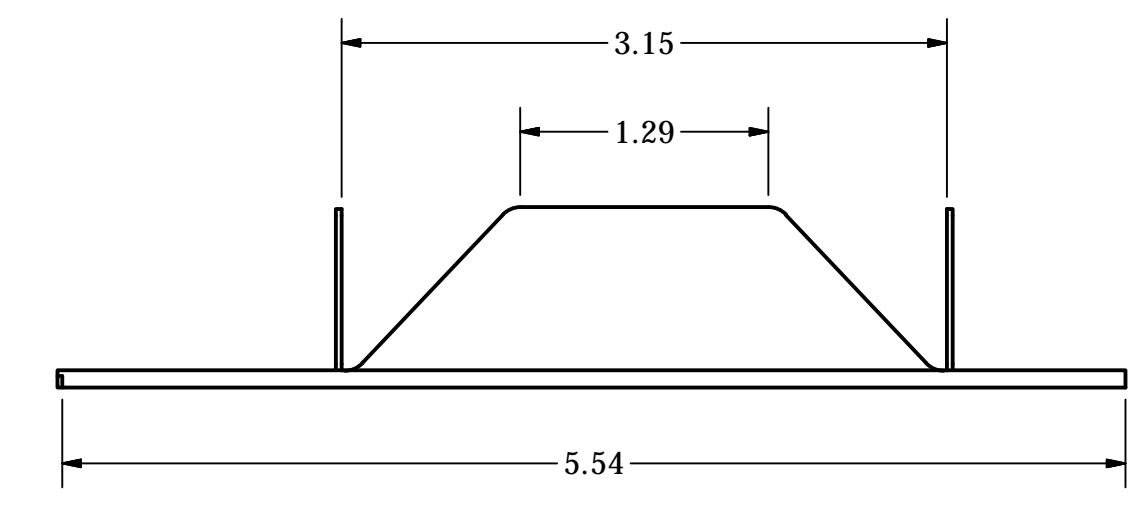
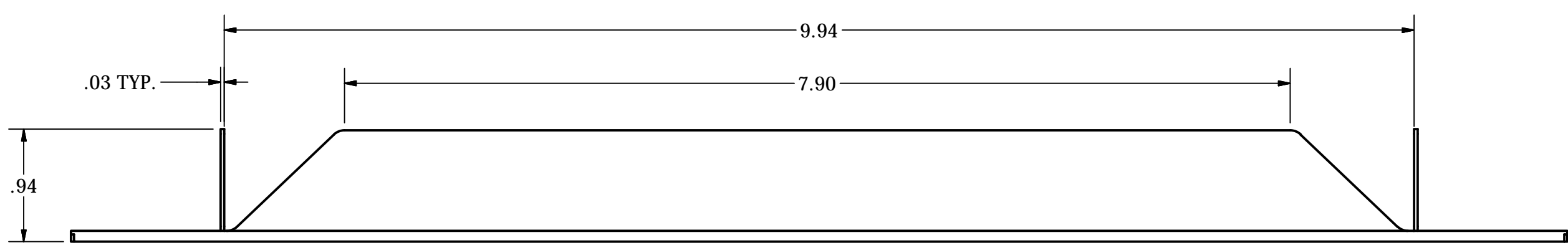
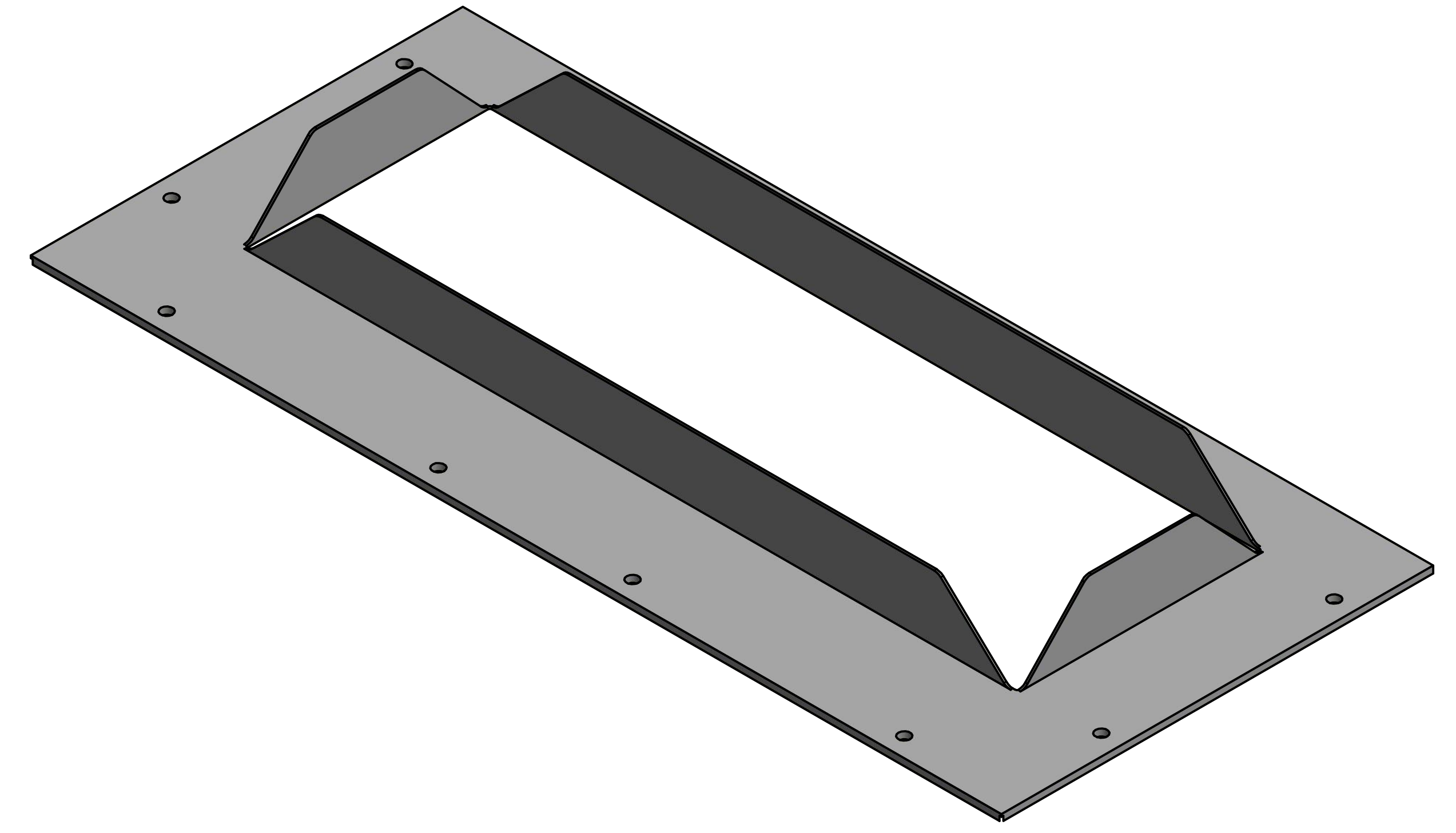
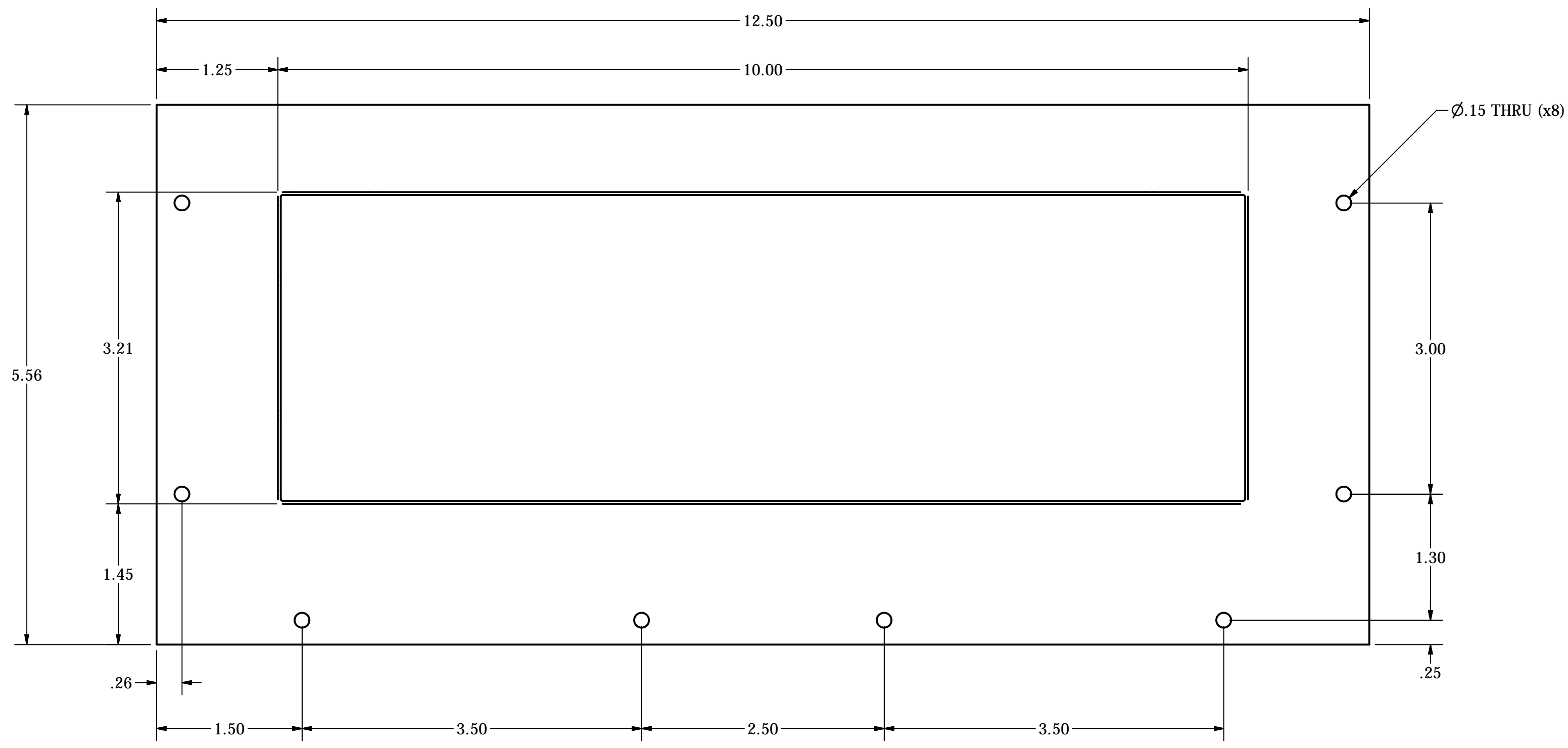
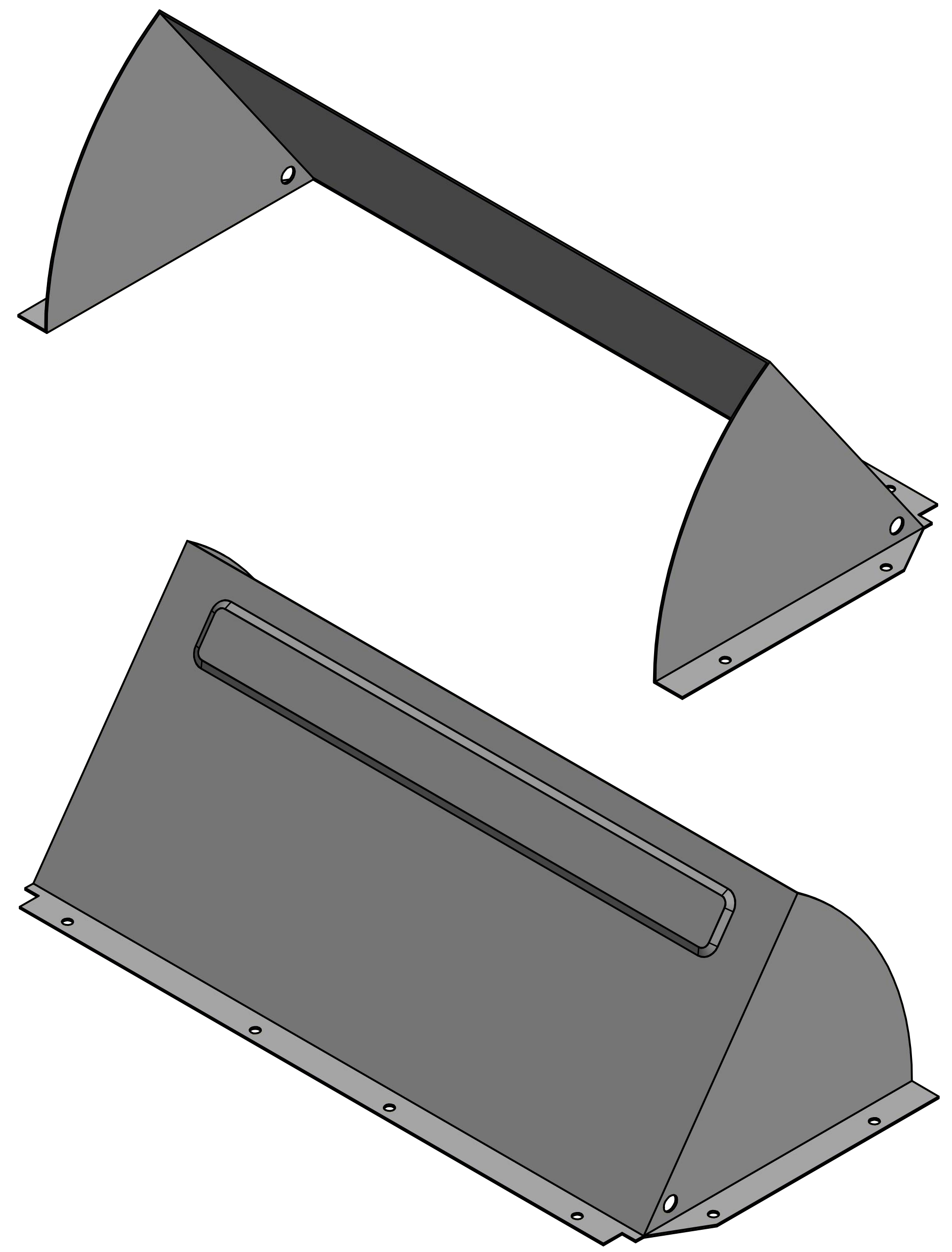
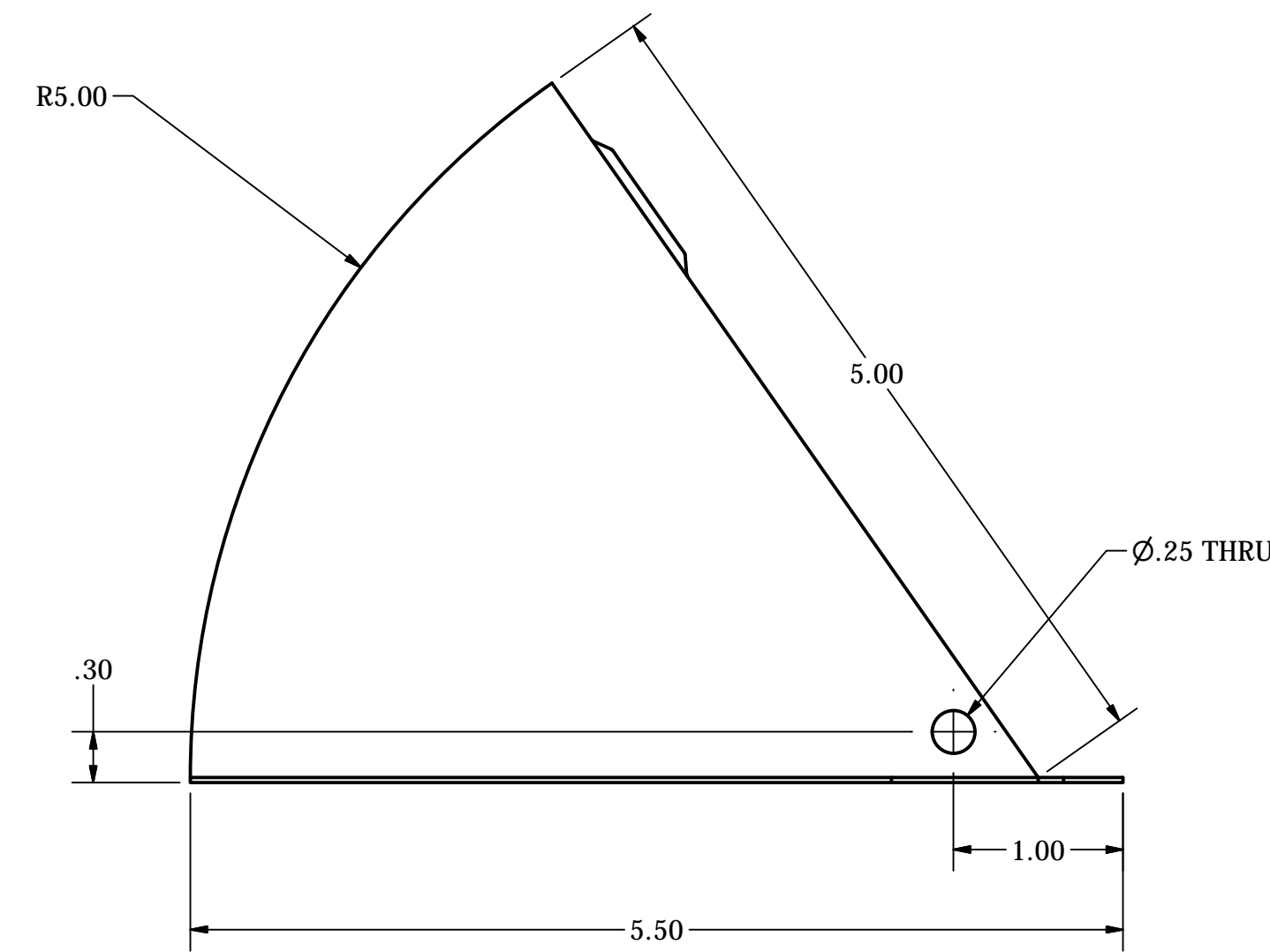
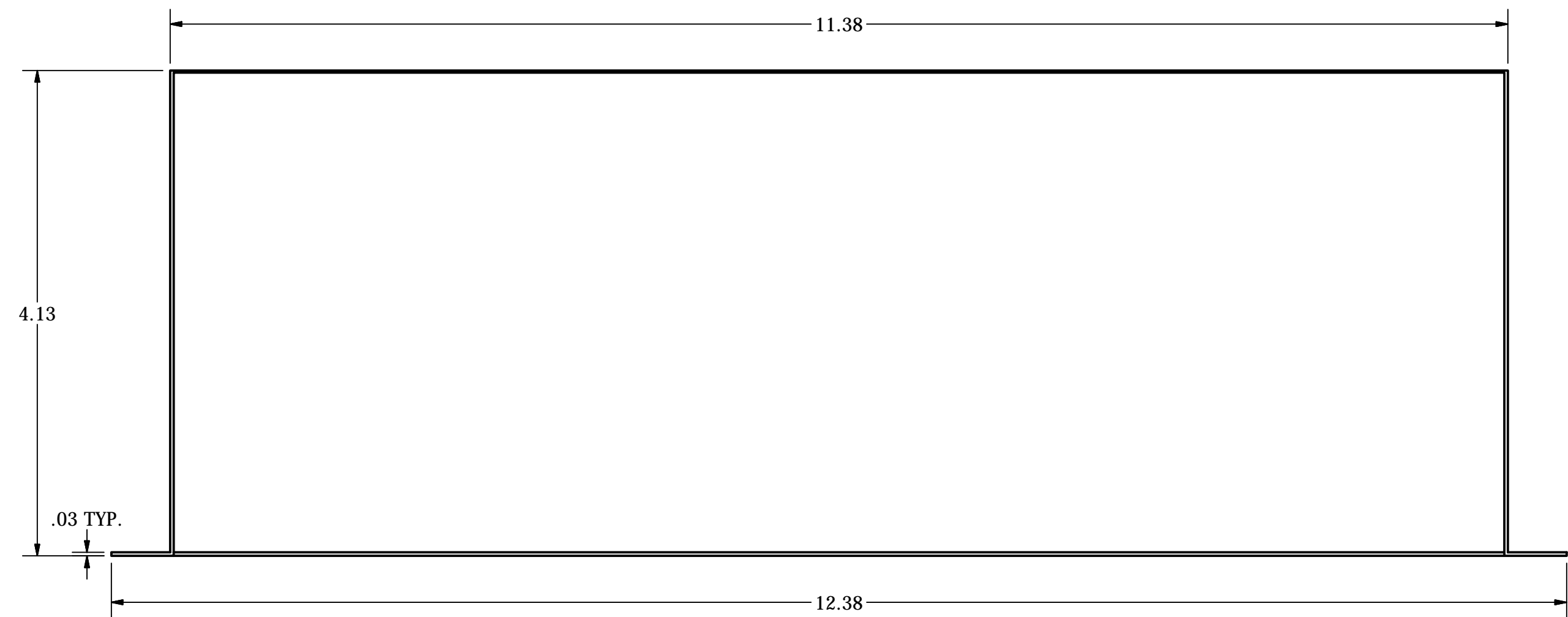
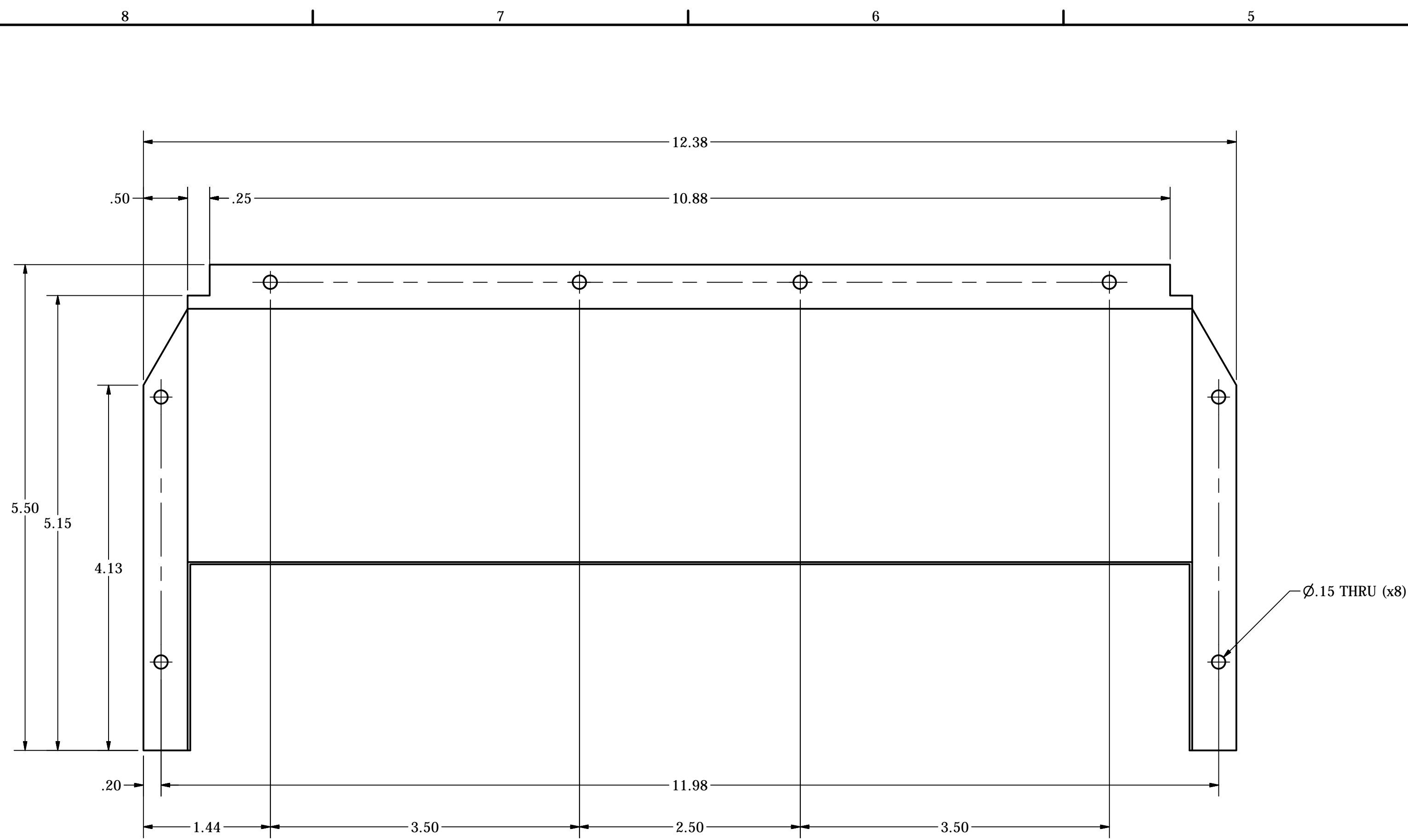


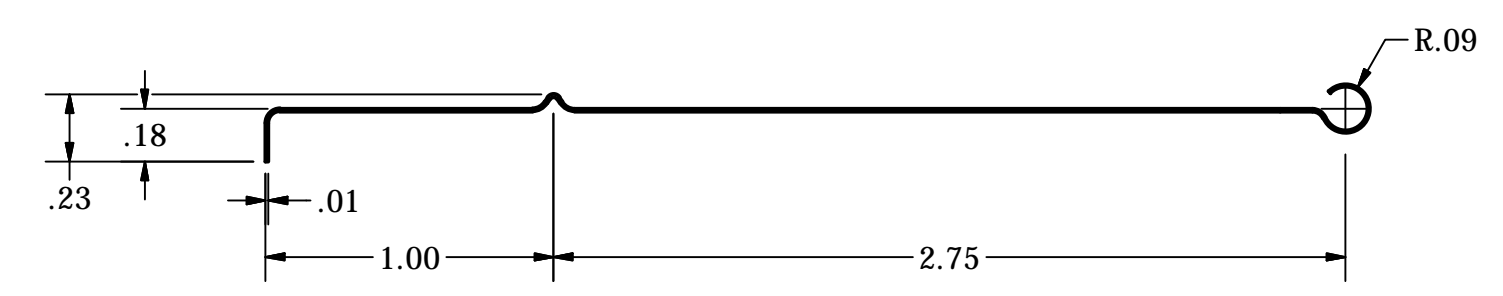
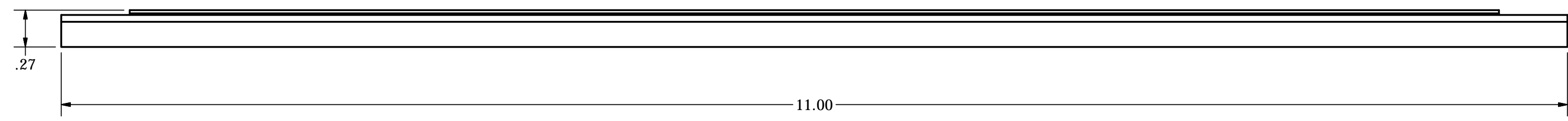
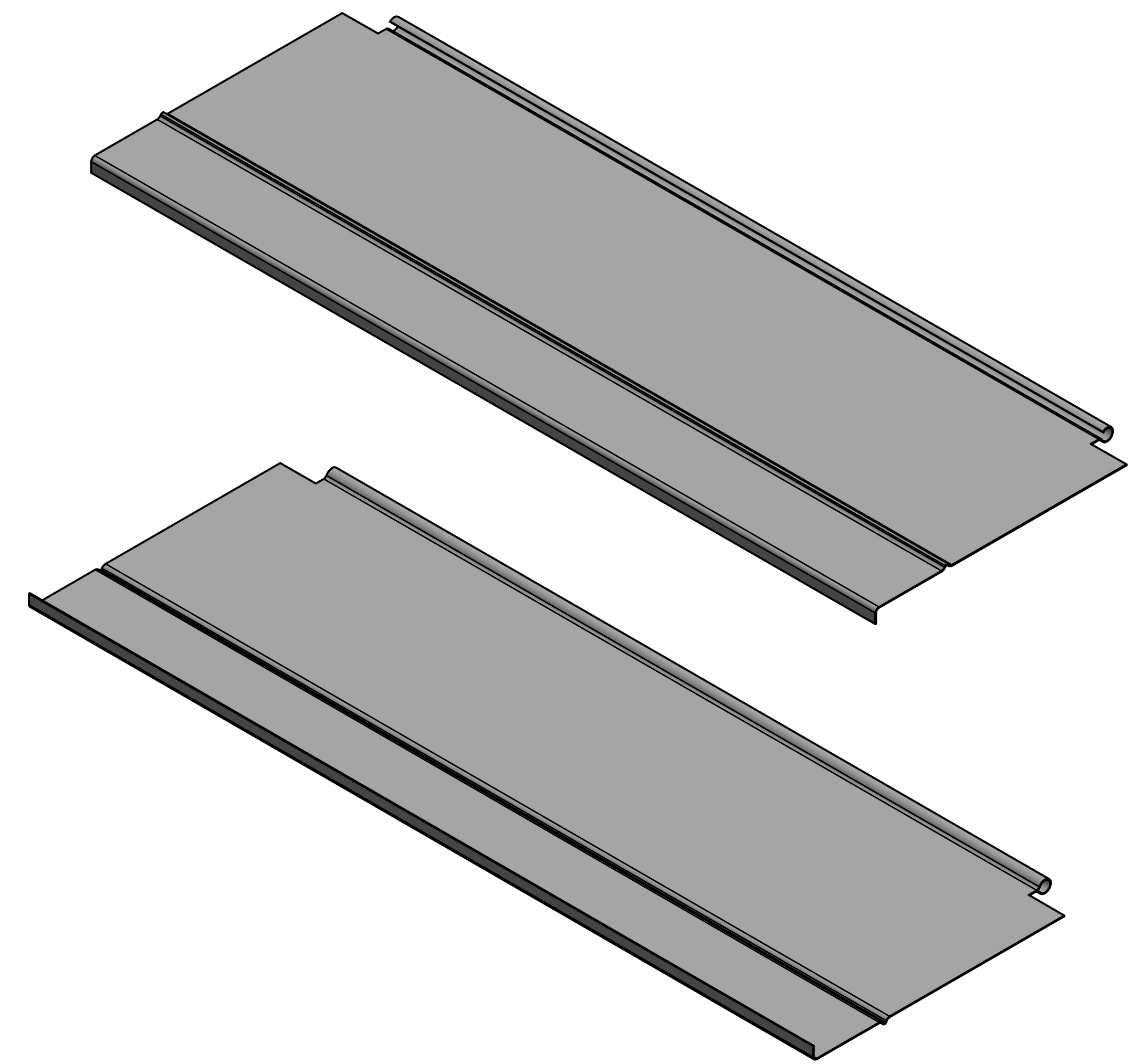
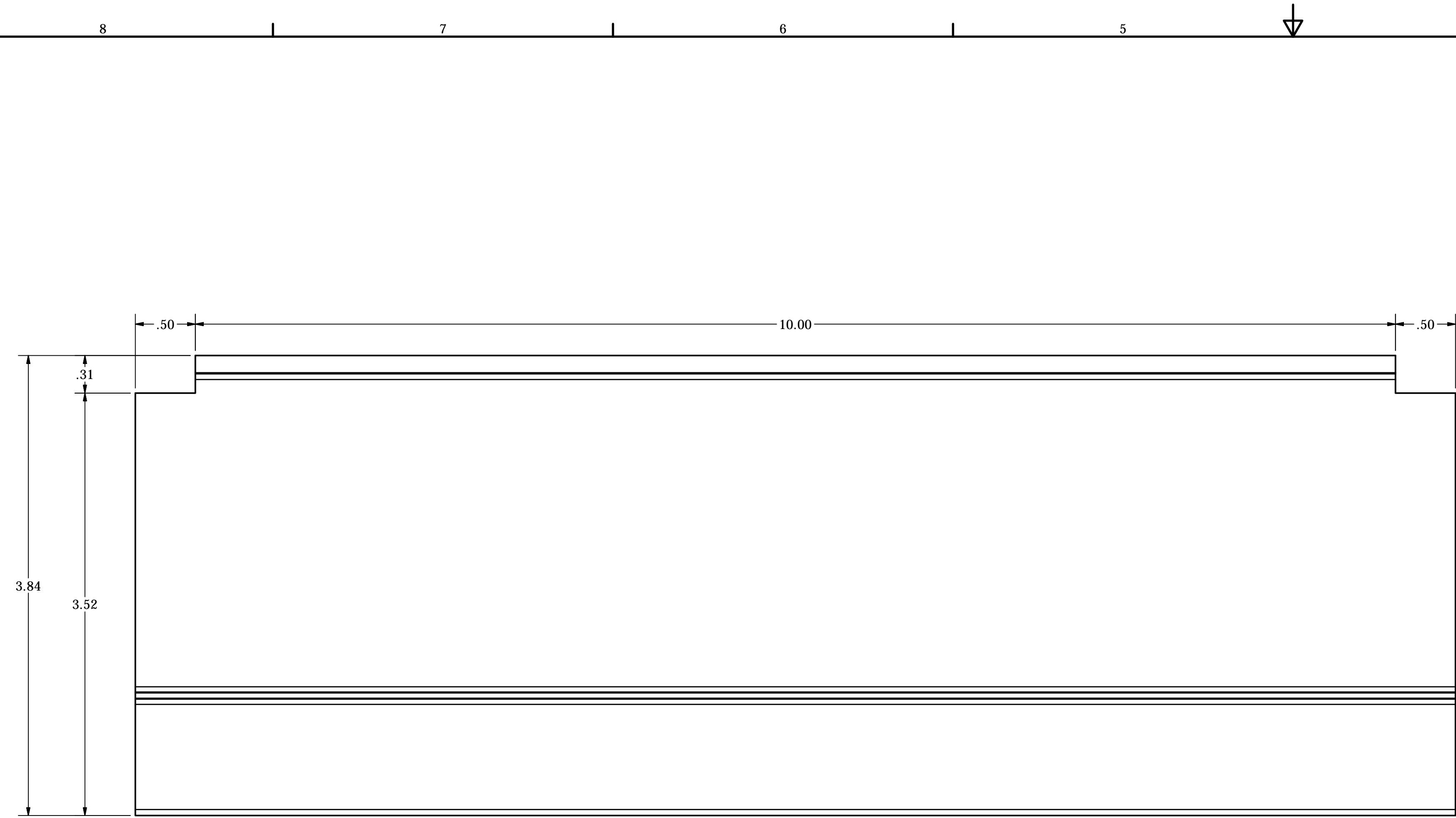
DRAWN	JOSEPH VALENTI	8/4/2014	LAMBRO INDUSTRIES, INC.		
CHECKED			TITLE		
QA			106 3-1/4" x 10" Aluminum Wall cap		
MFG			SIZE	DWG NO	REV
APPROVED			D	106 Assembly	
			SCALE		SHEET 1 OF 1



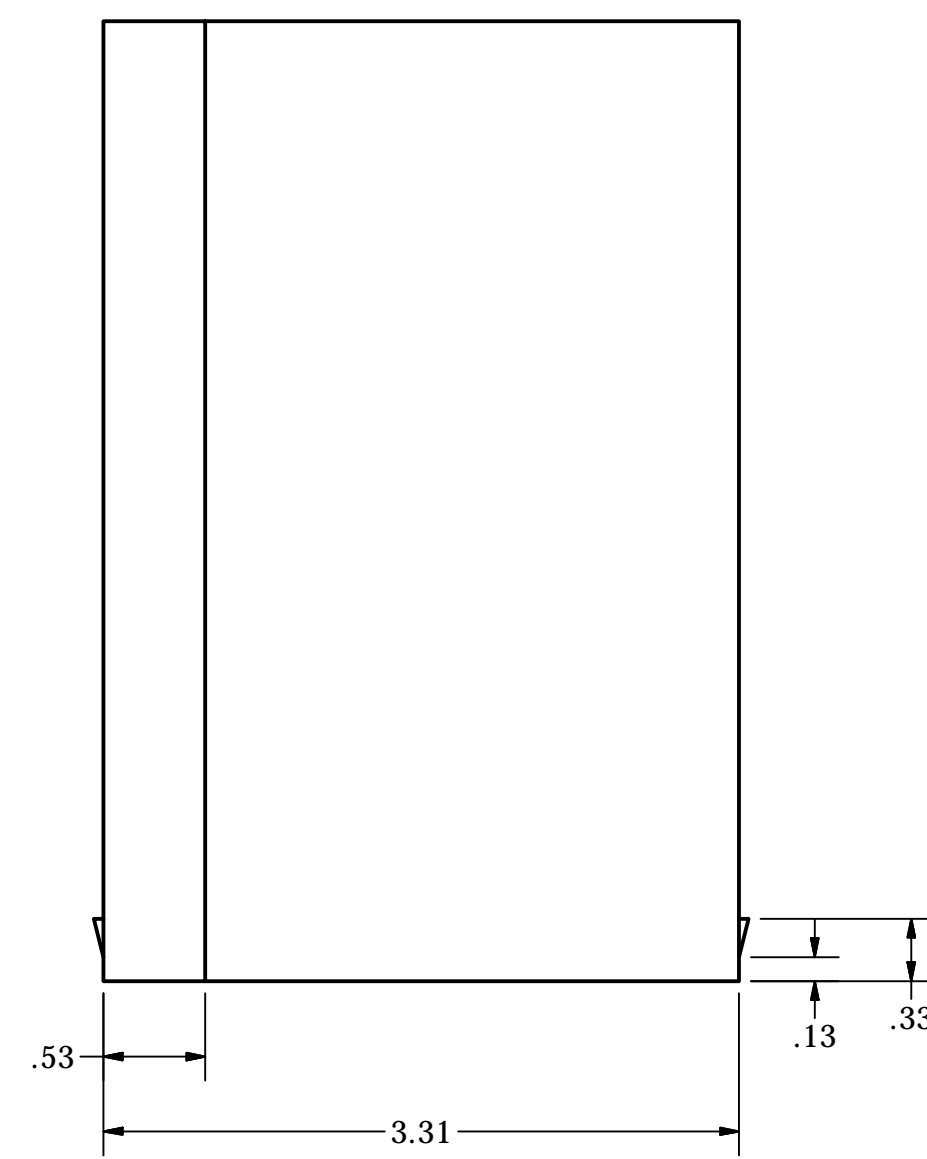
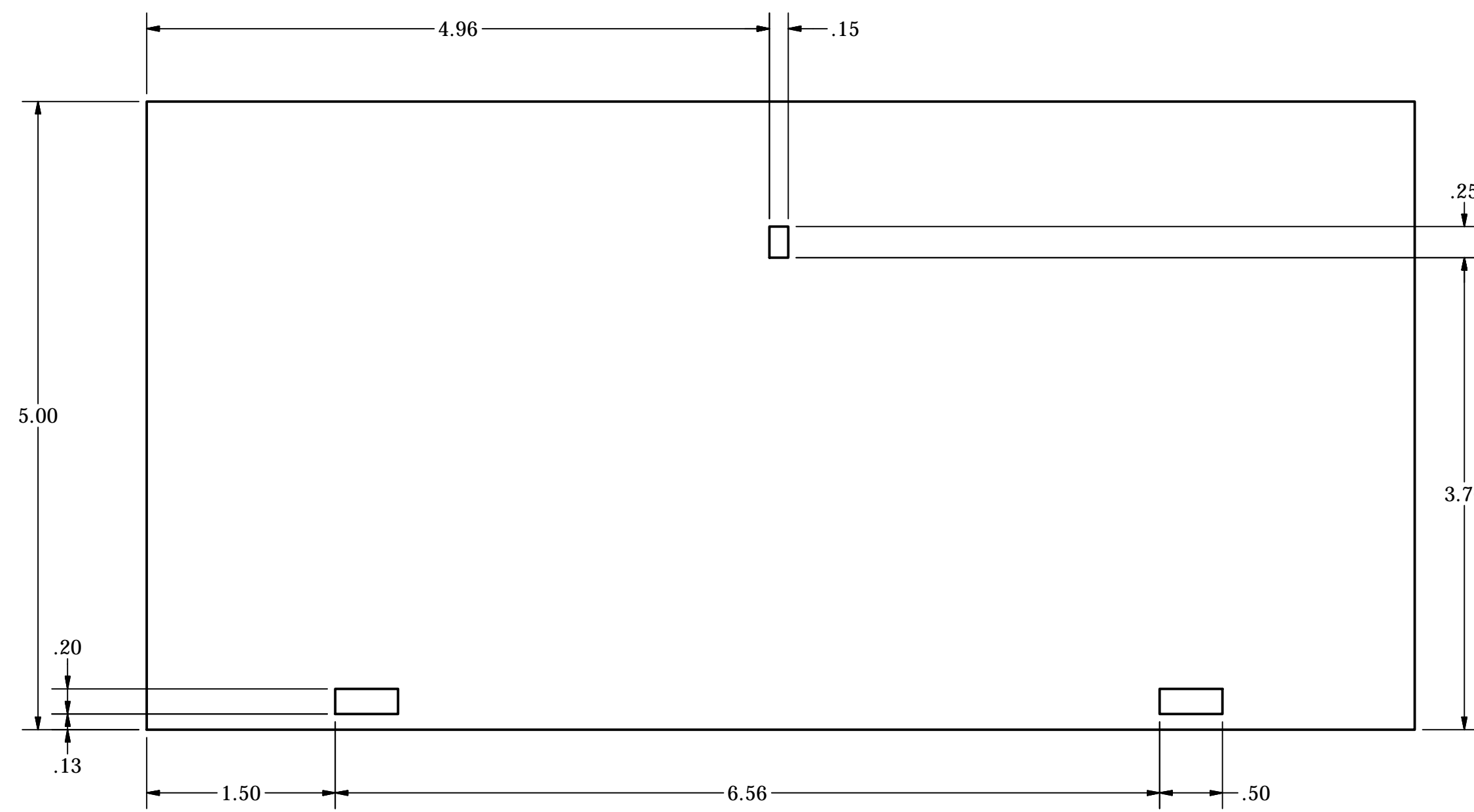
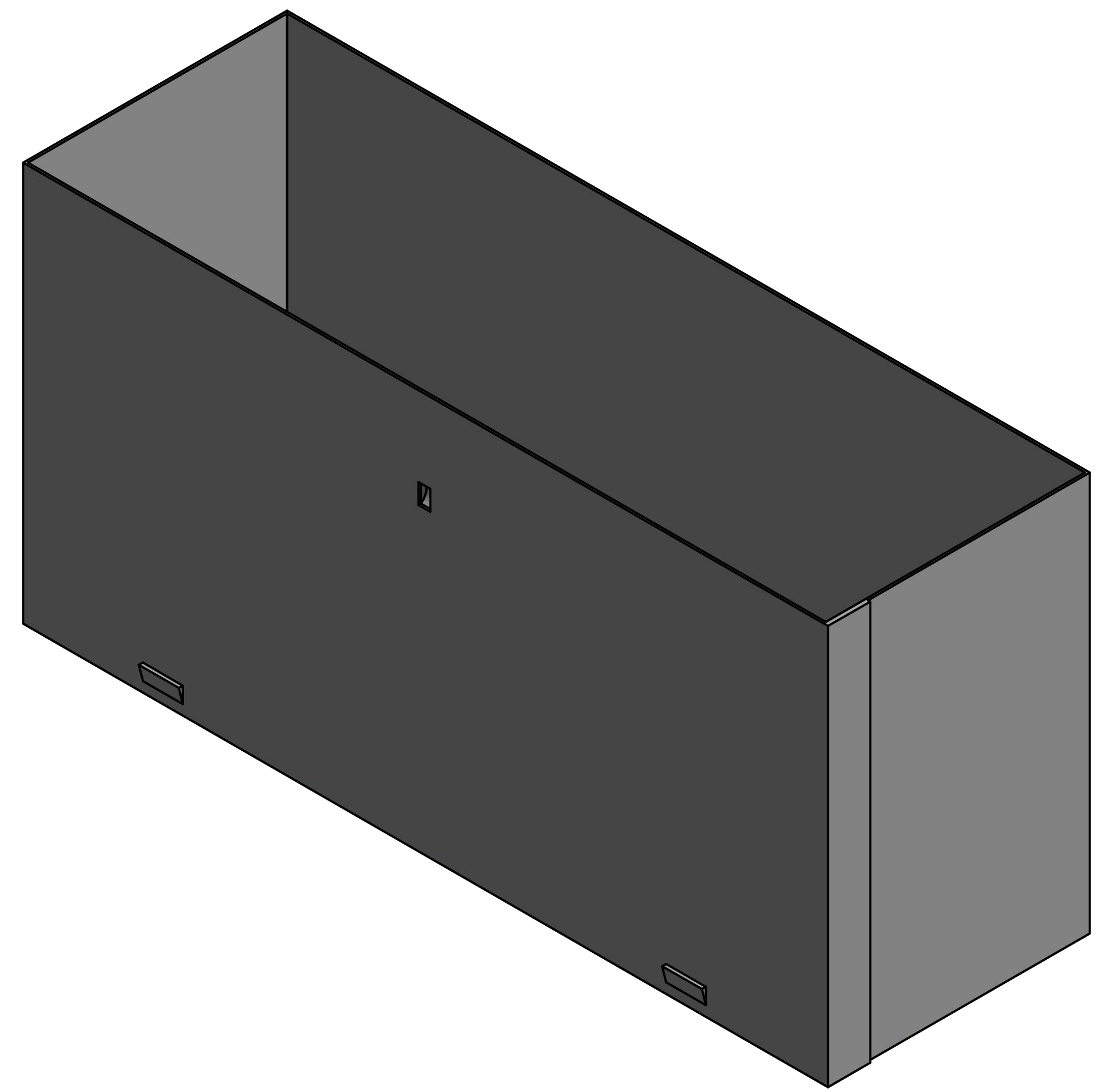
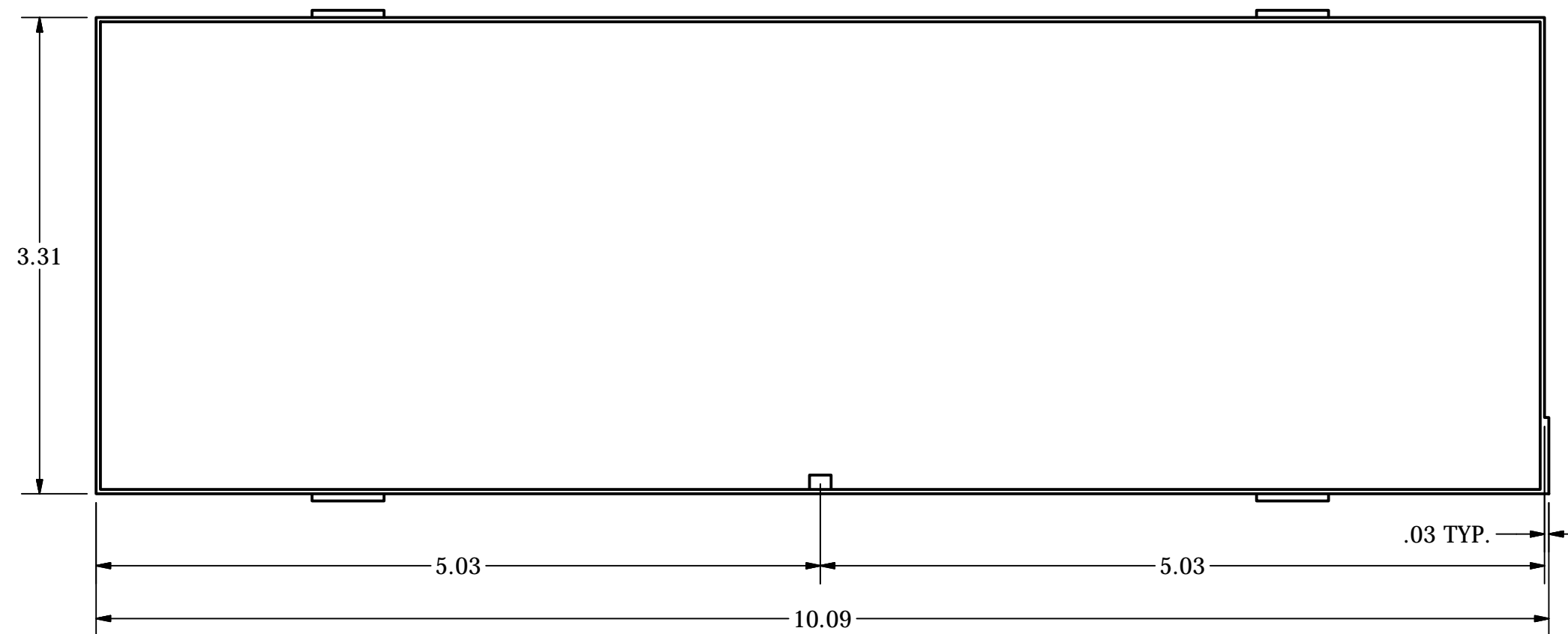
DRAWN	JOSEPH VALENTI	8/4/2014	LAMBRO INDUSTRIES, INC.		
CHECKED			TITLE		
QA			106 3-1/4" x 10" Aluminum Wall cap - BASE		
MFG			SIZE	DWG NO	REV
APPROVED			D	106 BASE	
			SCALE	SHEET 1 OF 1	



DRAWN	JOSEPH VALENTI	8/4/2014	LAMBRO INDUSTRIES, INC.		
CHECKED			TITLE		
QA			106 3-1/4" x 10" Aluminum Wall Cap - VENT COVER		
MFG			SIZE	DWG NO	REV
APPROVED			D	106 COVER	
			SCALE		SHEET 1 OF 1



DRAWN	JOSEPH VALENTI	8/3/2014	LAMBRO INDUSTRIES, INC.		
CHECKED			TITLE		
QA			106 3-1/4" x 10" Aluminum Wall Cap - EXHAUST FLAP		
MFG			SIZE	DWG NO	REV
APPROVED			D	106 FLAP	
			SCALE		SHEET 1 OF 1



DRAWN	JOSEPH VALENTI	8/3/2014	LAMBRO INDUSTRIES, INC.		
CHECKED			TITLE		
QA			106 3-1/4" x 10" Aluminum Wall Cap -		
MFG			RECTANGULAR DUCT		
APPROVED			SIZE	DWG NO	REV
			D	106 RECTANGULAR DUCT	
			SCALE	SHEET 1 OF 1	