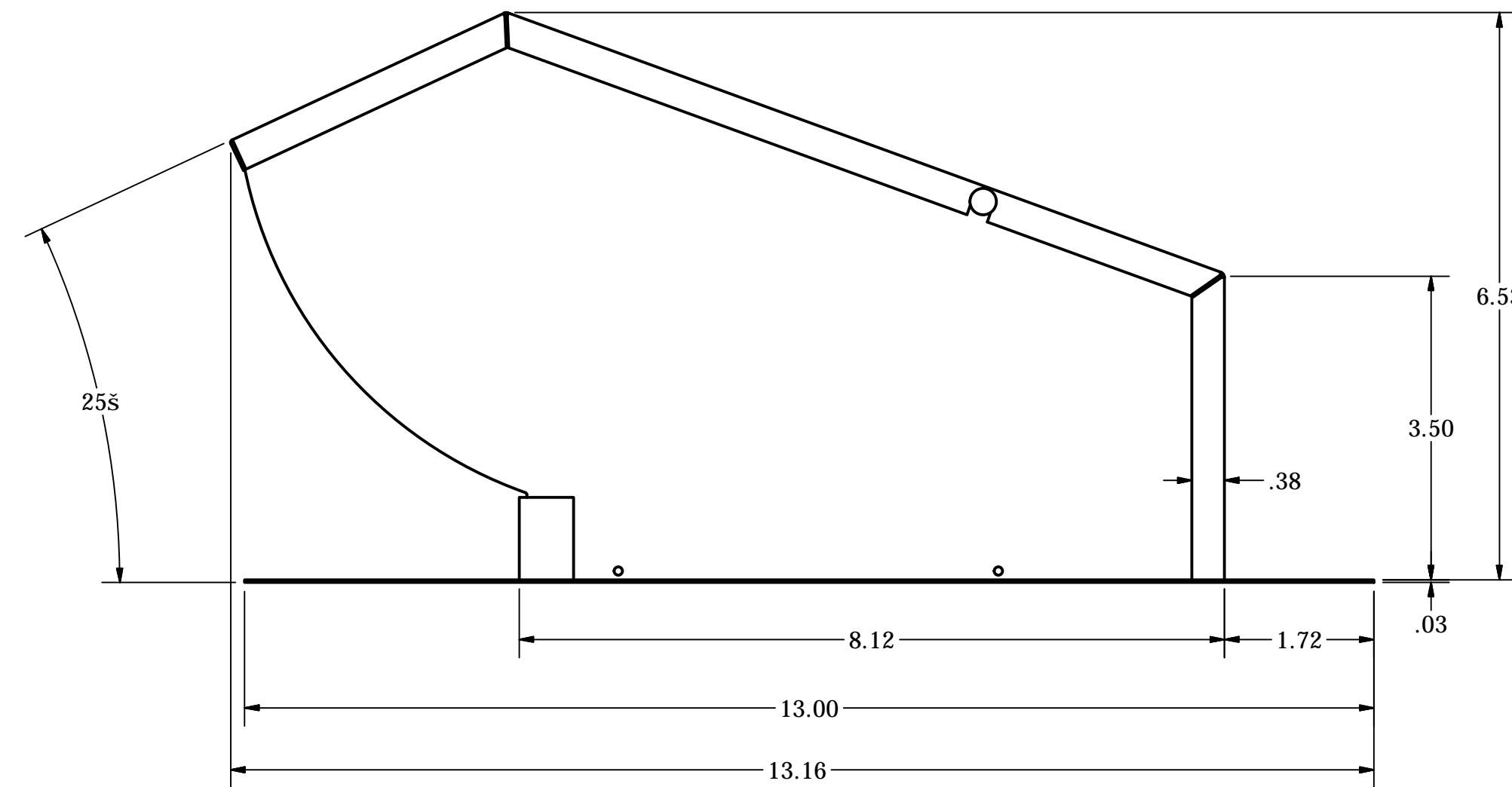
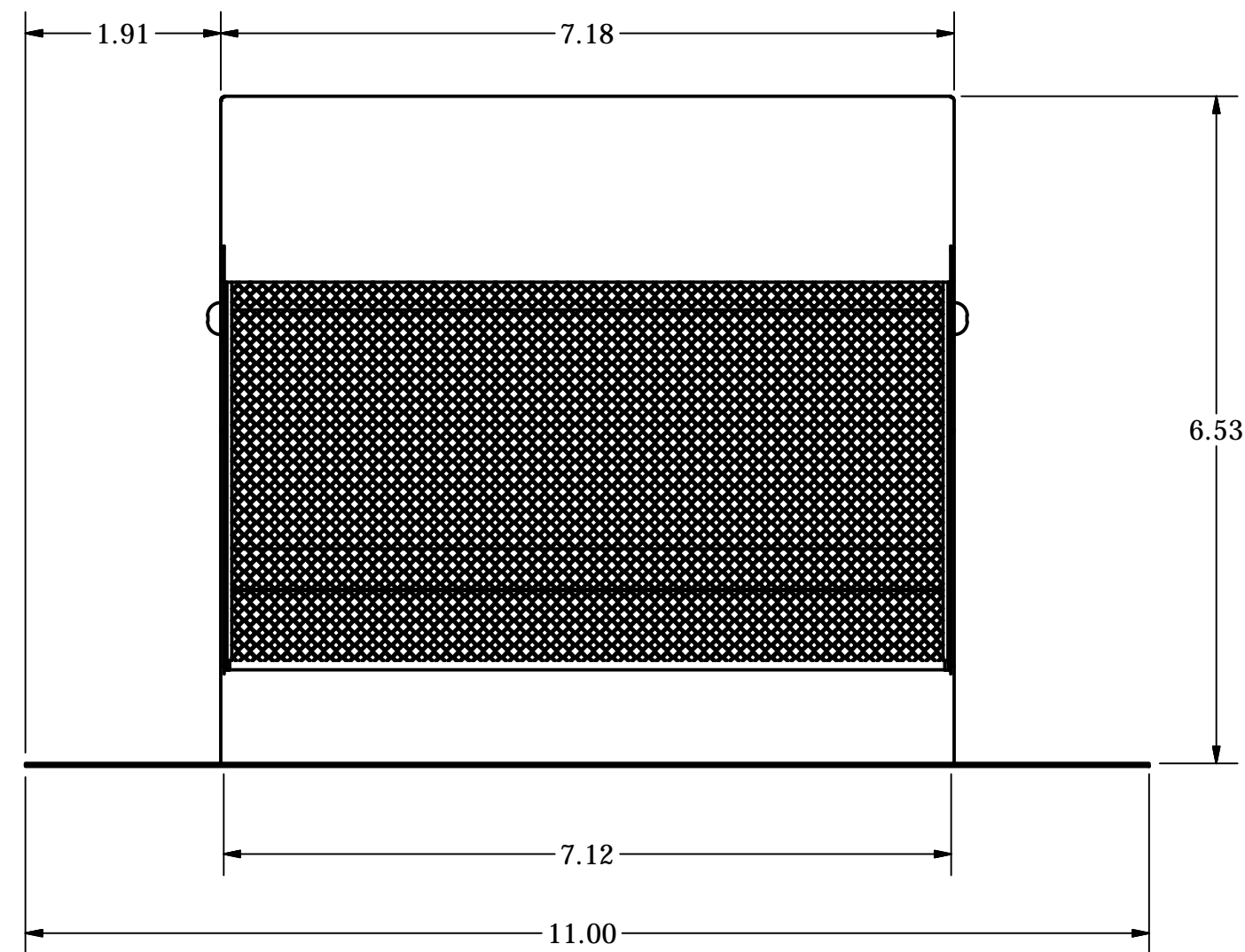
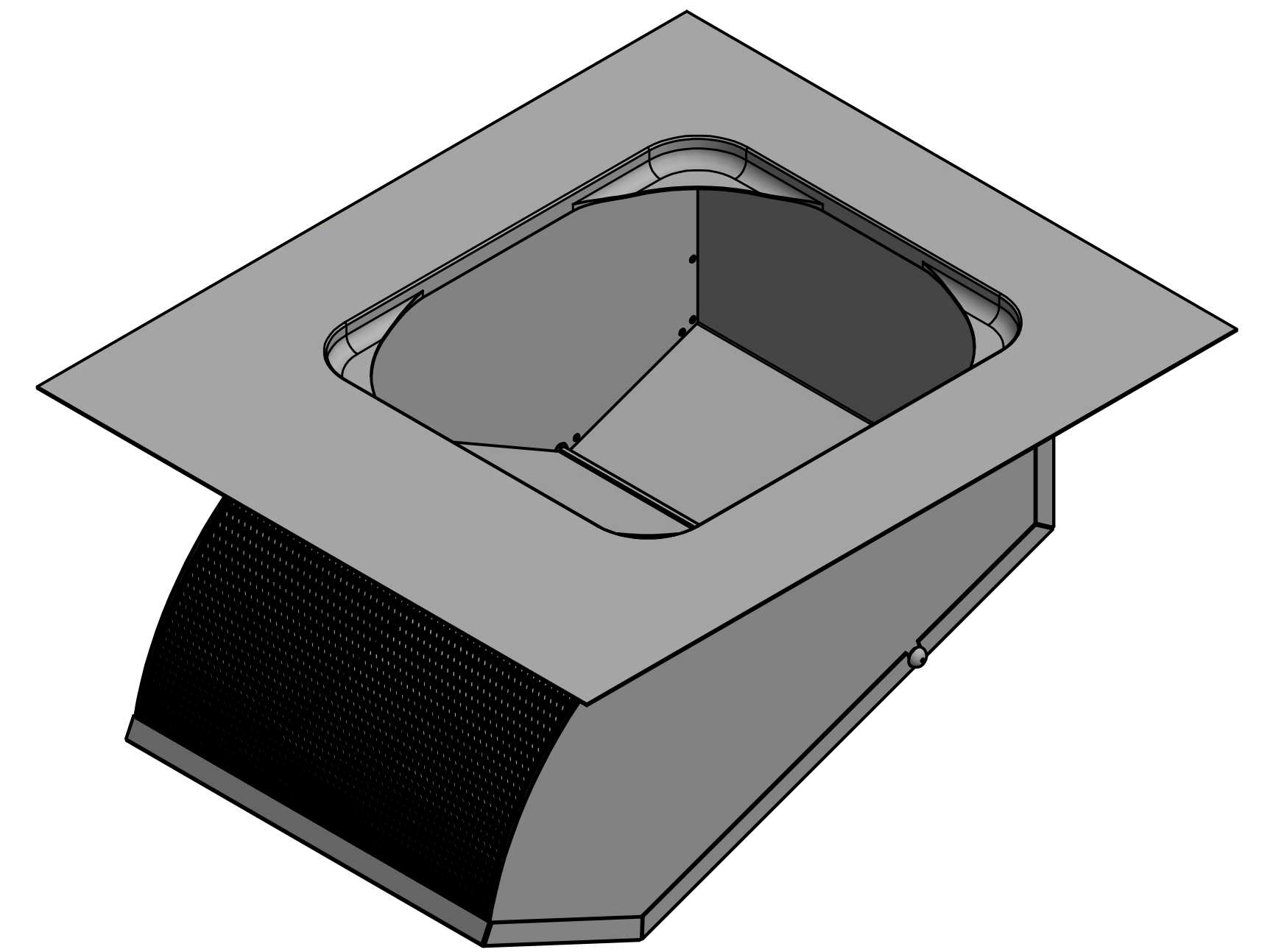
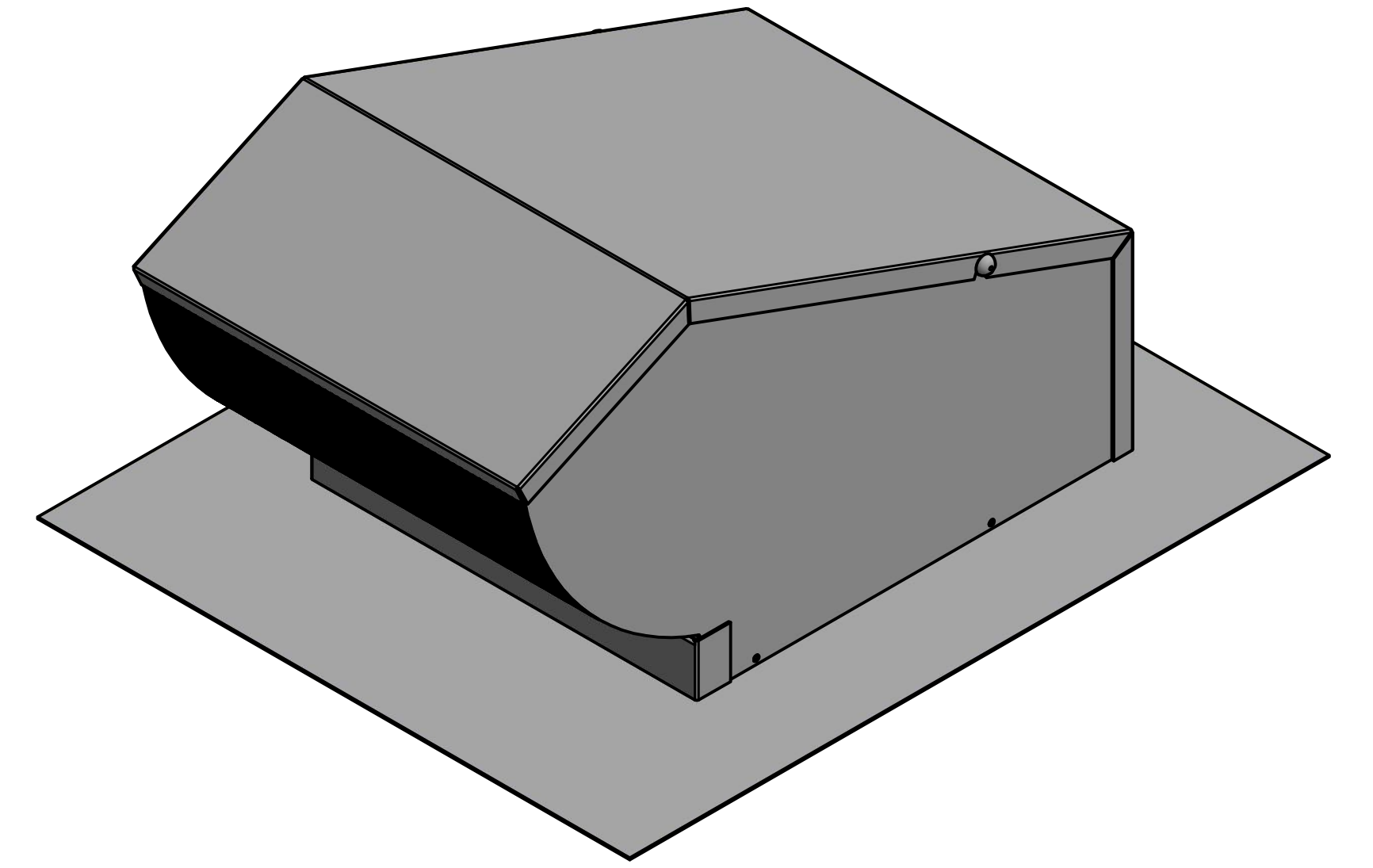
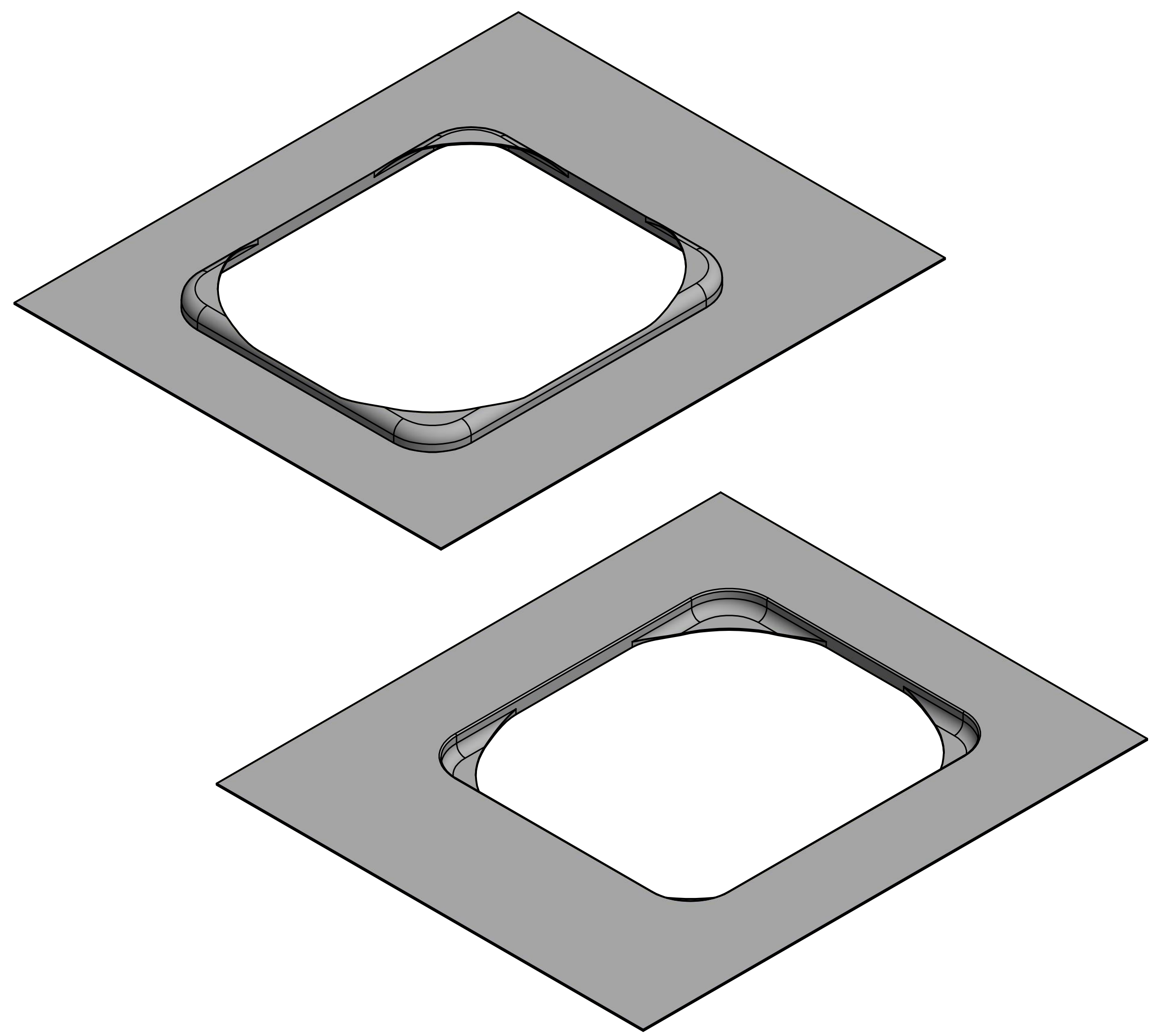
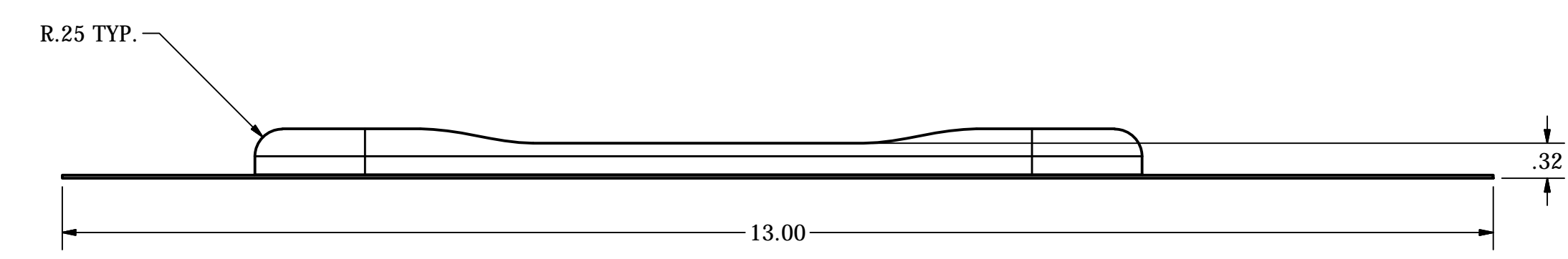
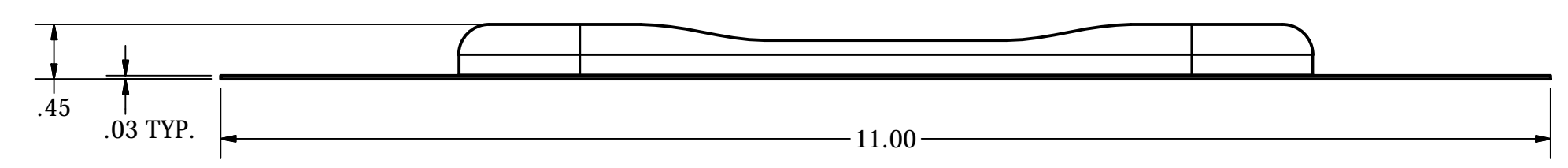
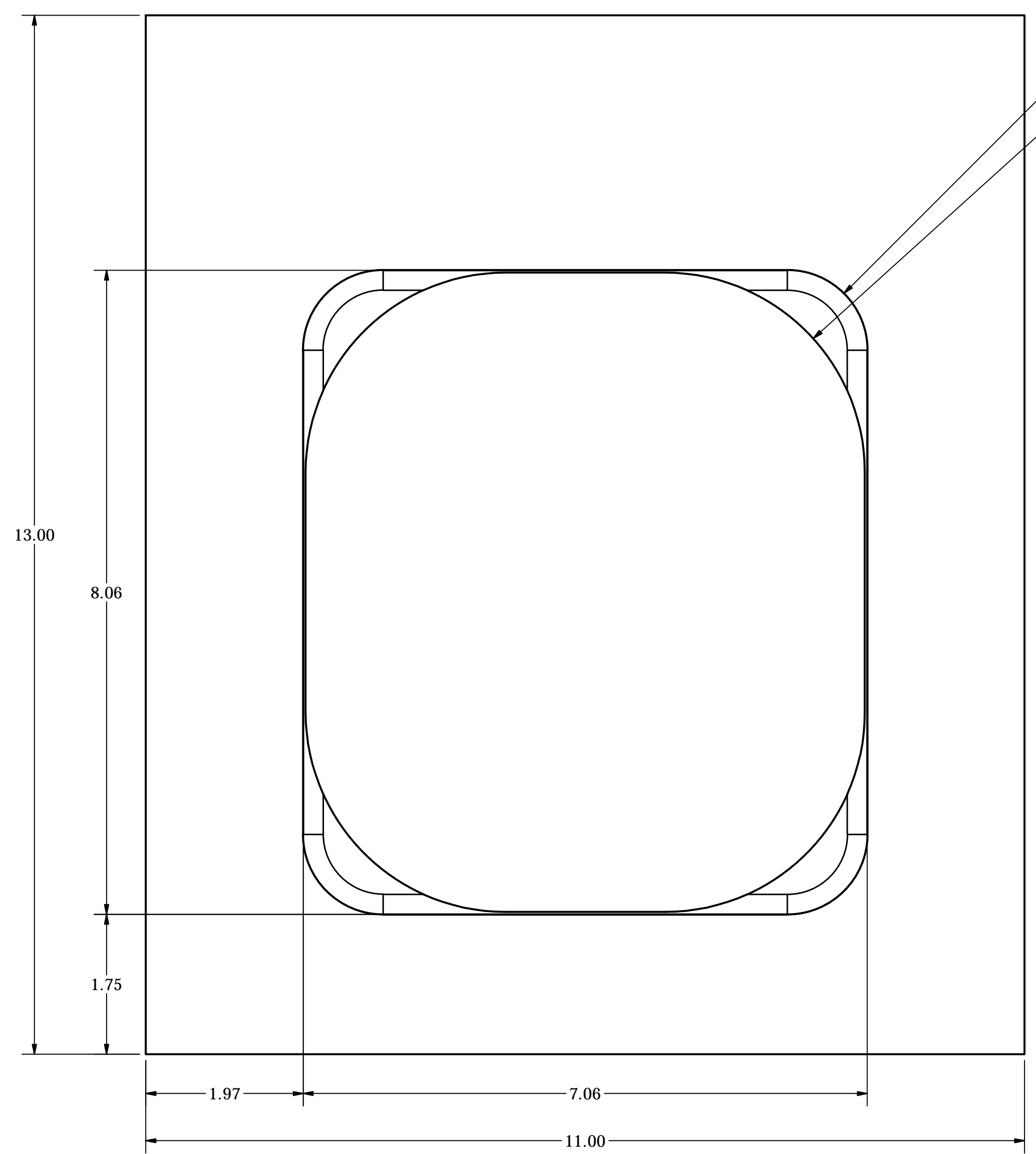


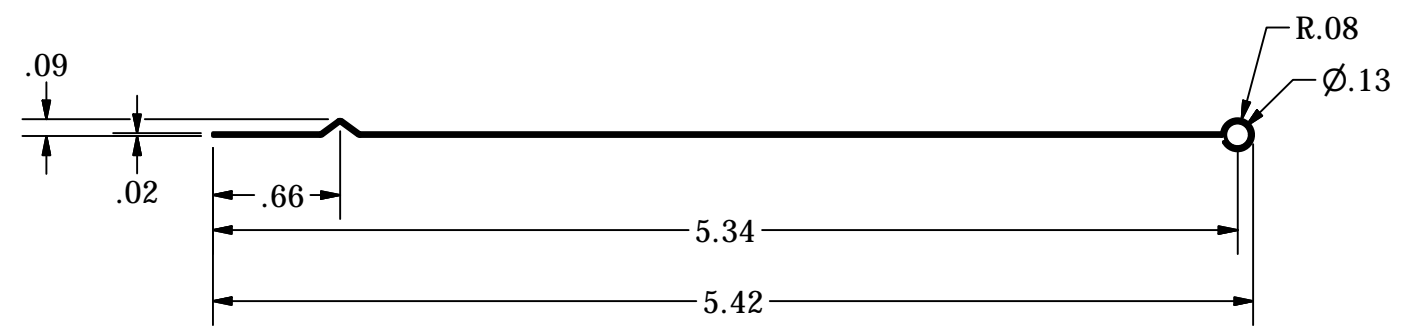
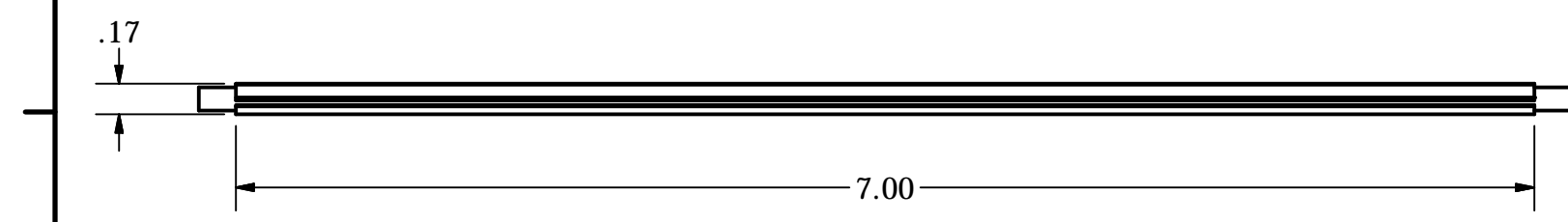
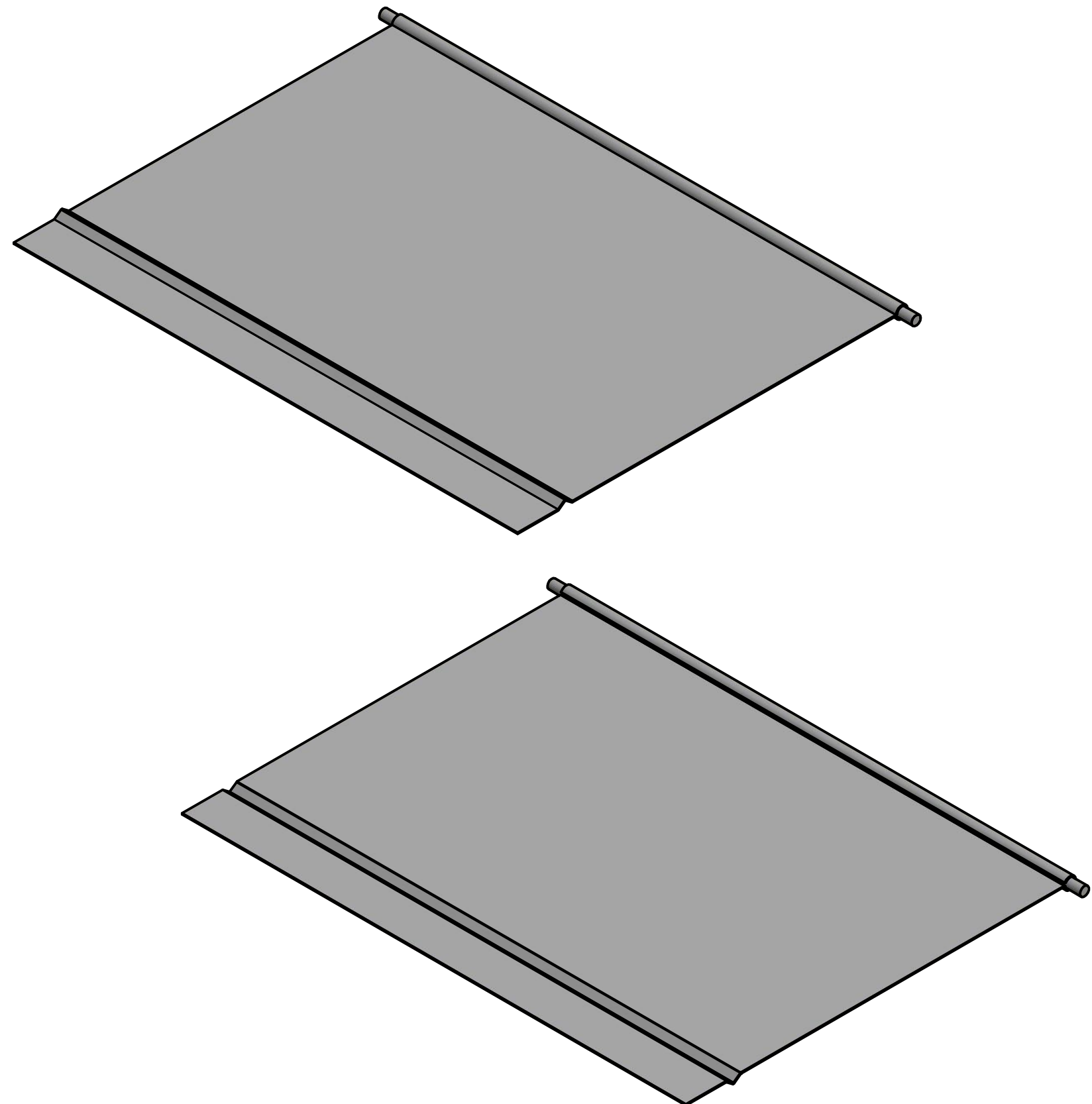
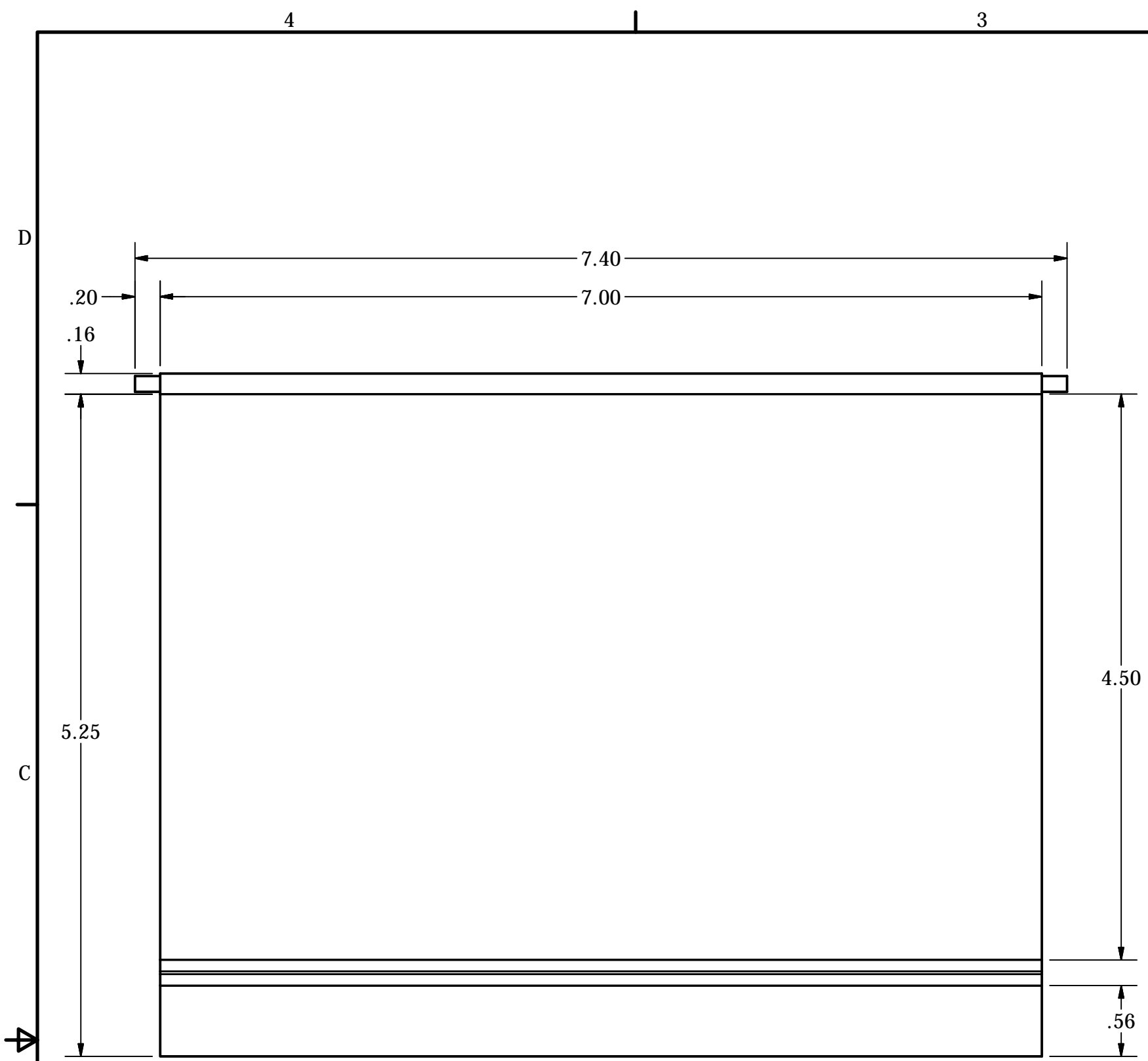
SECTION A-A



DRAWN	JOSEPH VALENTI	8/15/2014	LAMBRO INDUSTRIES, INC.		
CHECKED			TITLE		
QA			MEDIUM VENT		
MFG			SIZE	DWG NO	REV
APPROVED			D	MEDIUM VENT ASSEMBLY	
			SCALE		SHEET 1 OF 1



DRAWN	JOSEPH VALENTI	8/15/2014	LAMBRO INDUSTRIES, INC.		
CHECKED			TITLE		
QA			MEDIUM VENT BASE		
MFG			SIZE	DWG NO	REV
APPROVED			D	BASE	
			SCALE		SHEET 1 OF 1



DRAWN JOSEPH VALENTI		8/12/2014		LAMBRO INDUSTRIES, INC.	
CHECKED				TITLE	
QA				MEDIUM VENT EXHAUST FLAP	
MFG				EXHAUST FLAP	
APPROVED				SIZE	DWG NO
				C	EXHAUST FLAP
				SCALE	REV
				SHEET 1 OF 1	