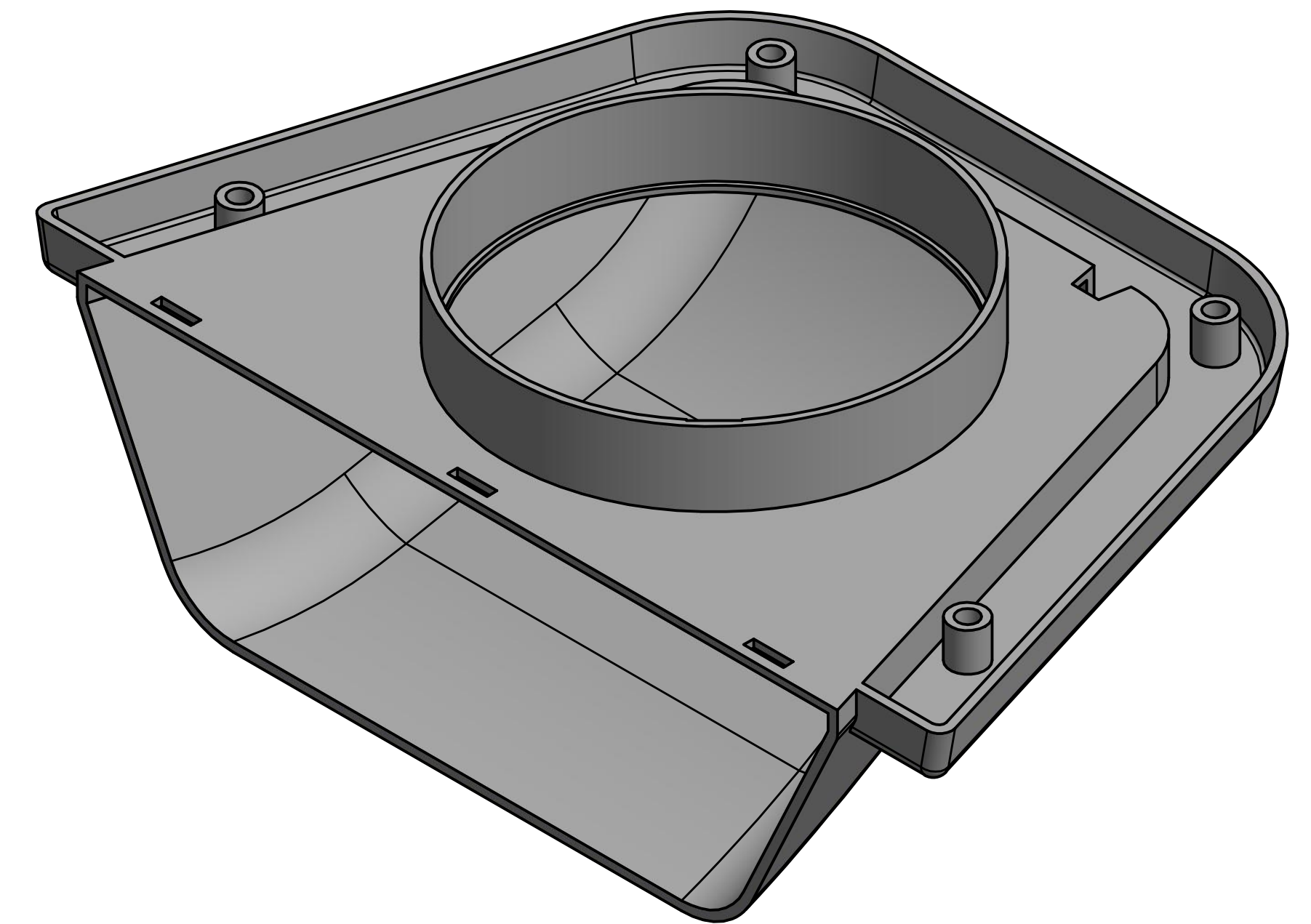
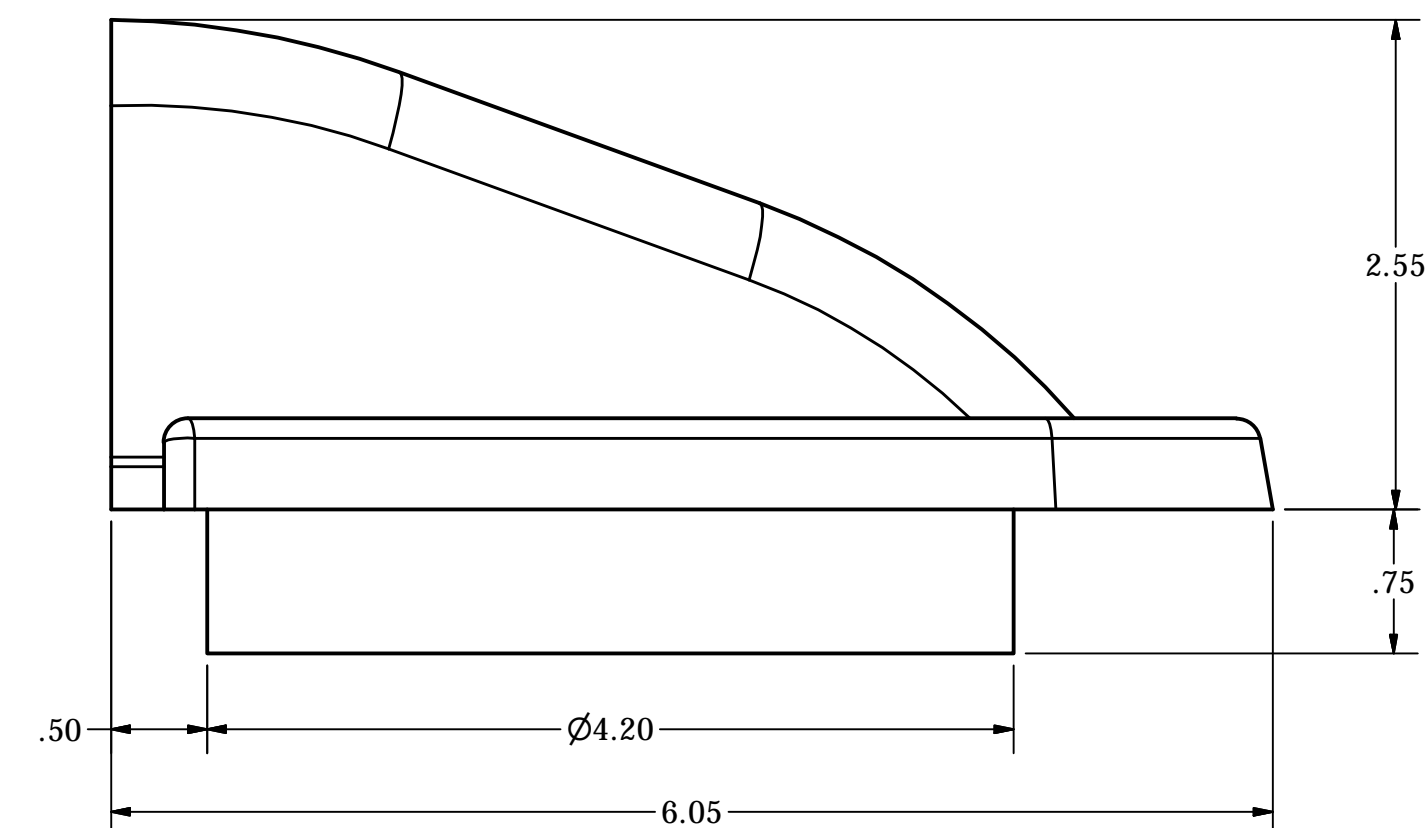
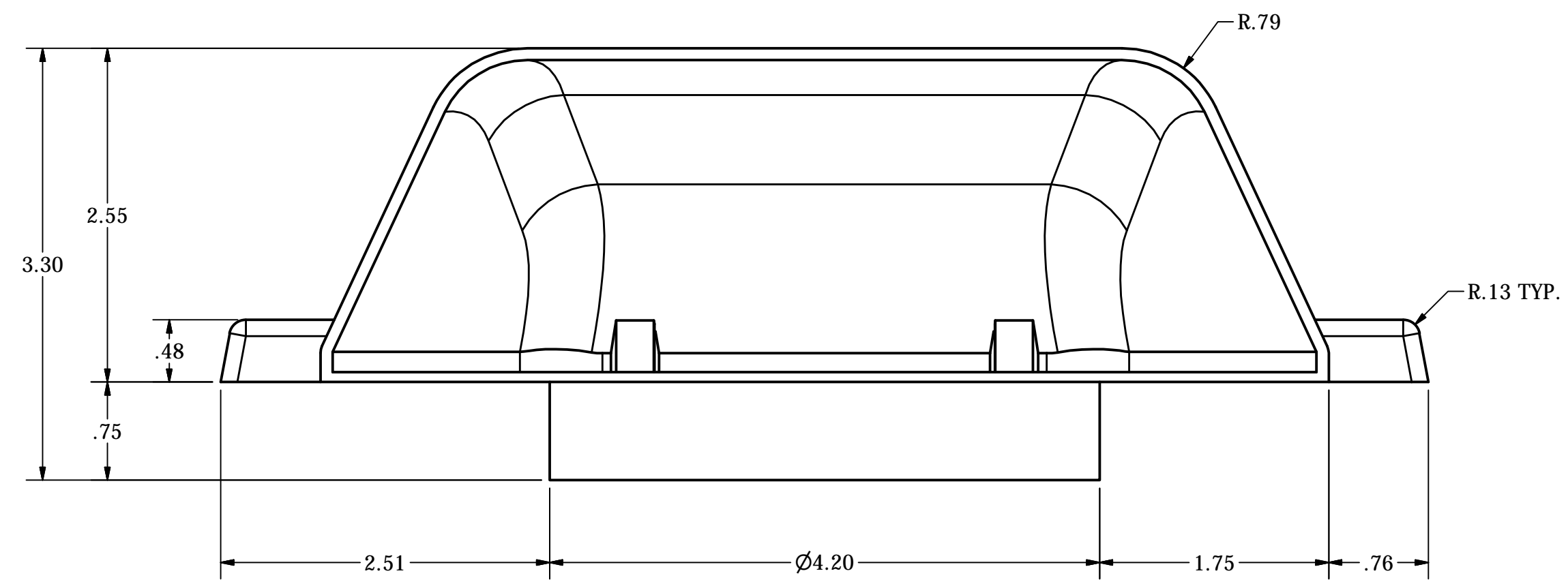
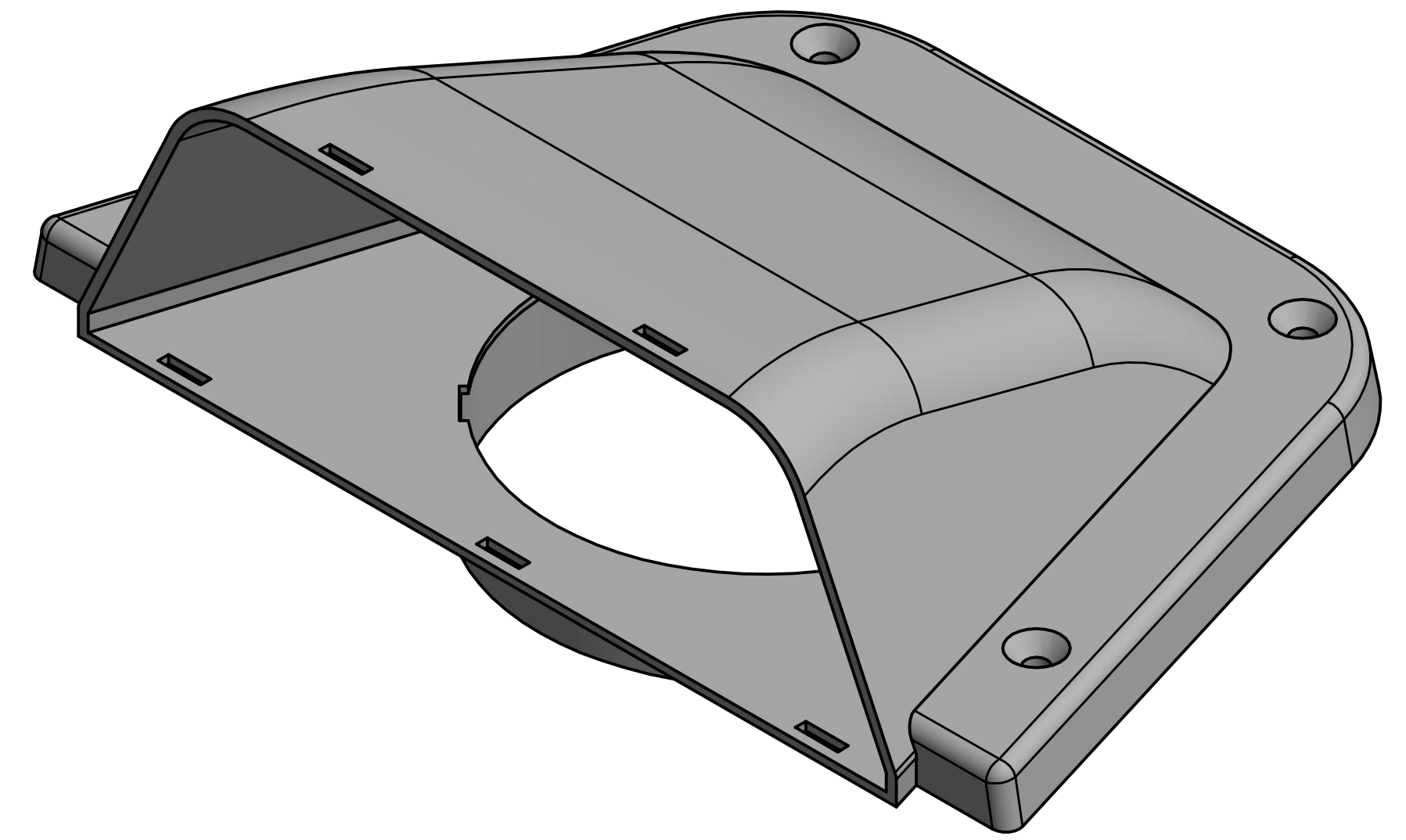
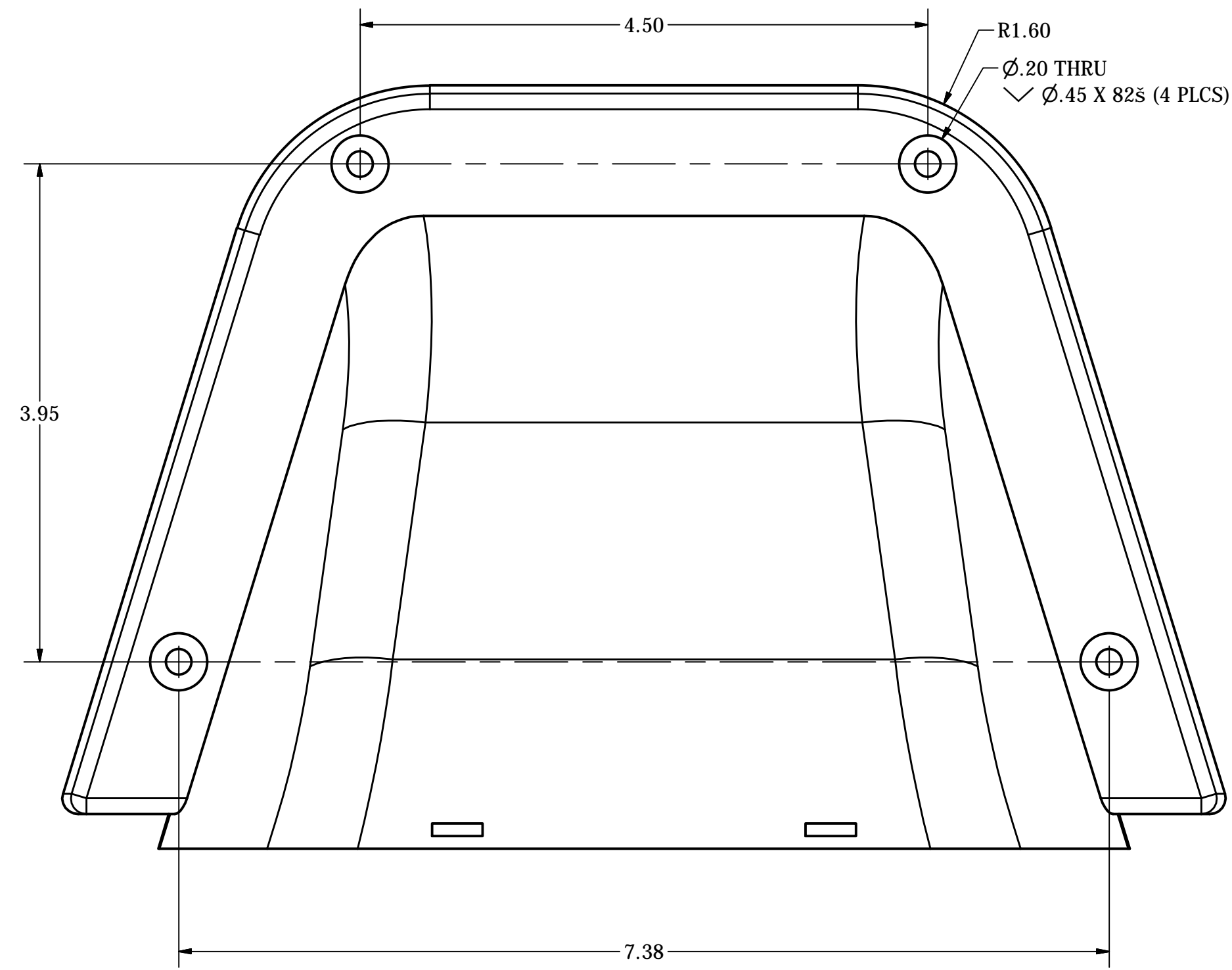
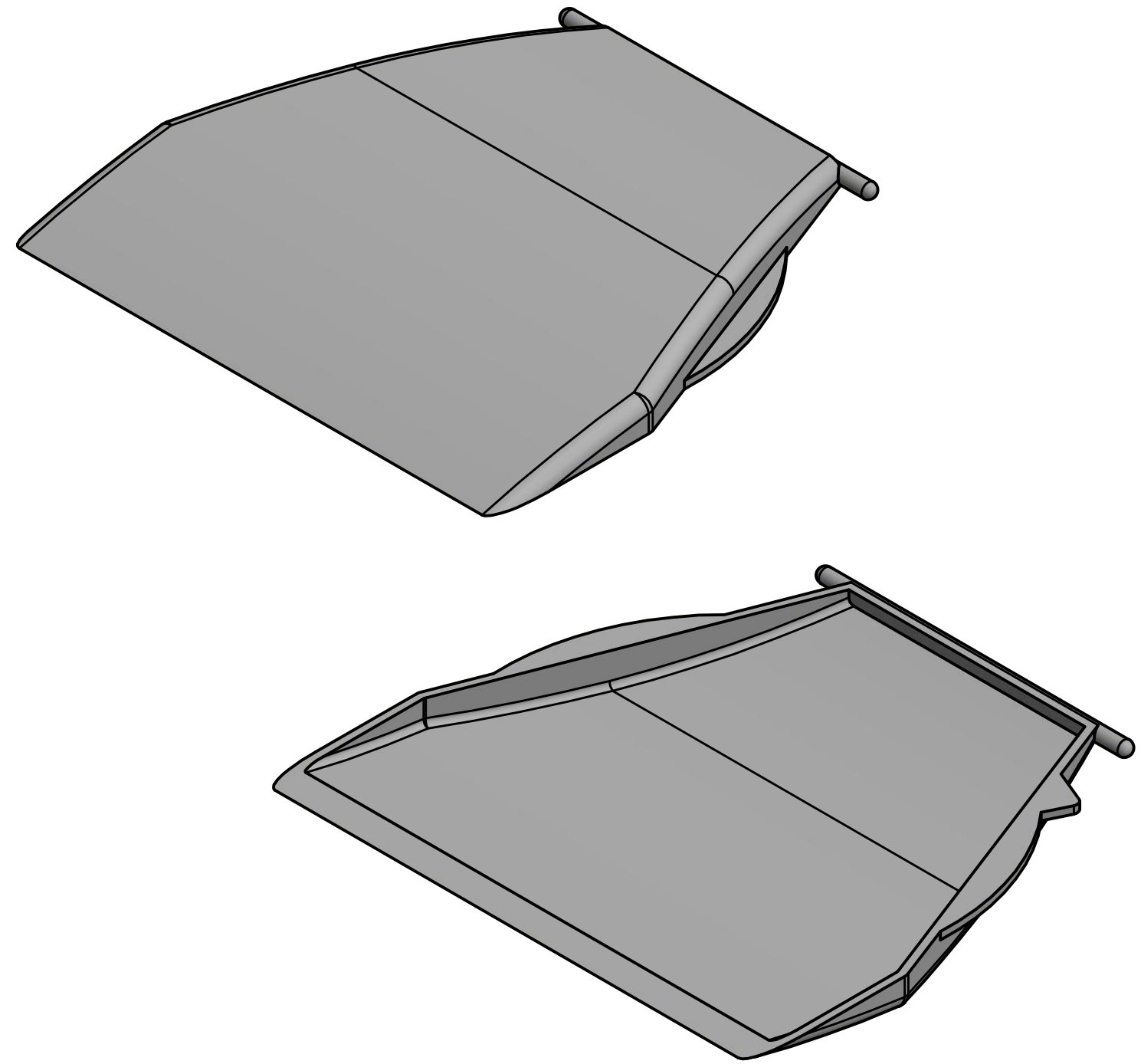
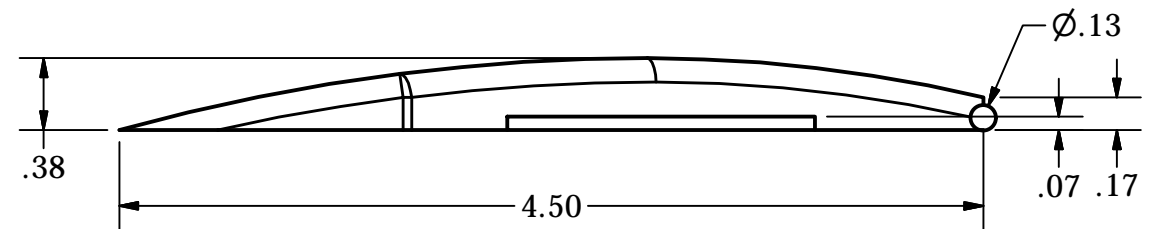
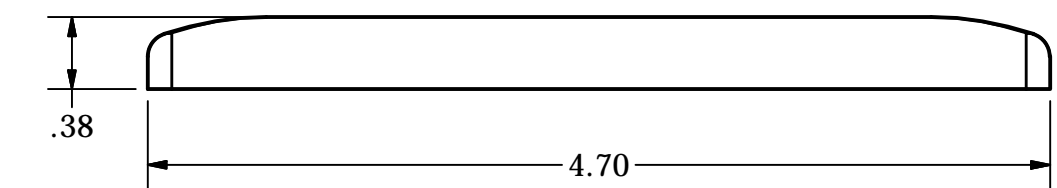
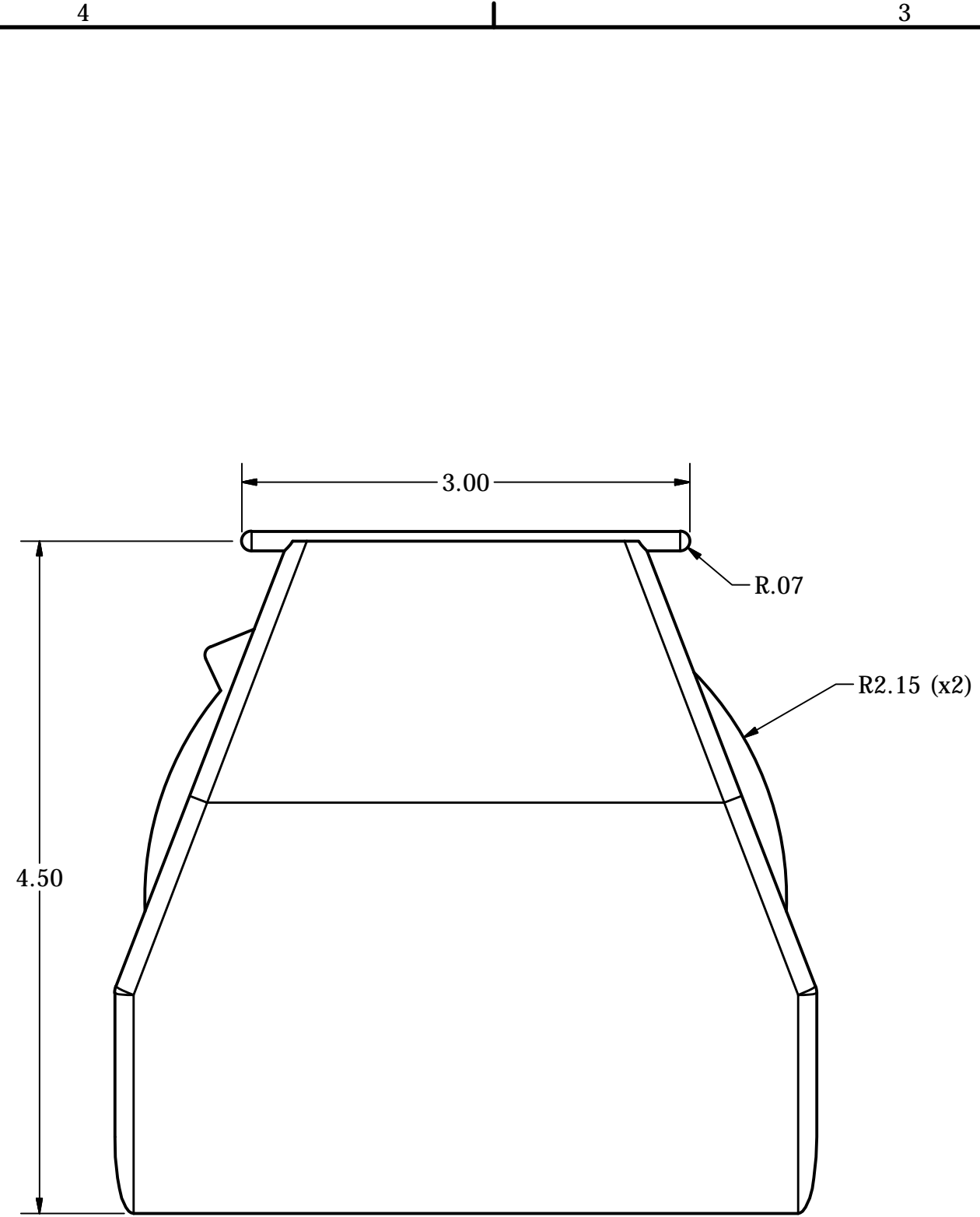


DRAWN	JOSEPH VALENTI	11/10/2014	LAMBRO INDUSTRIES, INC.		
CHECKED			TITLE		
QA			1472W ASSEMBLY		
MFG			SIZE	DWG NO	REV
APPROVED			D	1472W	
			SCALE	SHEET 1 OF 1	



DRAWN	JOSEPH VALENTI	11/10/2014	LAMBRO INDUSTRIES, INC.		
CHECKED			TITLE		
QA			1472W BASE		
MFG			SIZE	DWG NO	REV
APPROVED			D	1472W	
			SCALE		SHEET 1 OF 1



DRAWN	JOSEPH VALENTI	11/10/2014	LAMBRO INDUSTRIES, INC.		
CHECKED			TITLE		
QA			1472W EXHAUST FLAP		
MFG			SIZE	DWG NO	REV
APPROVED			C	1472W	
			SCALE	SHEET 1 OF 1	

4 3 2 1

D

D

C

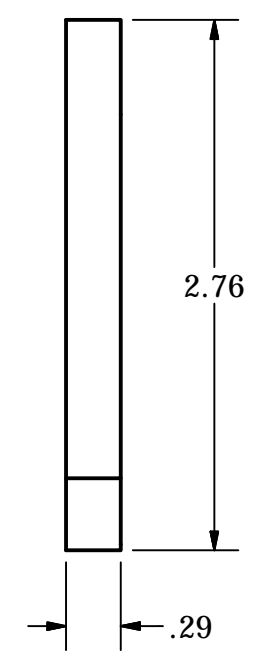
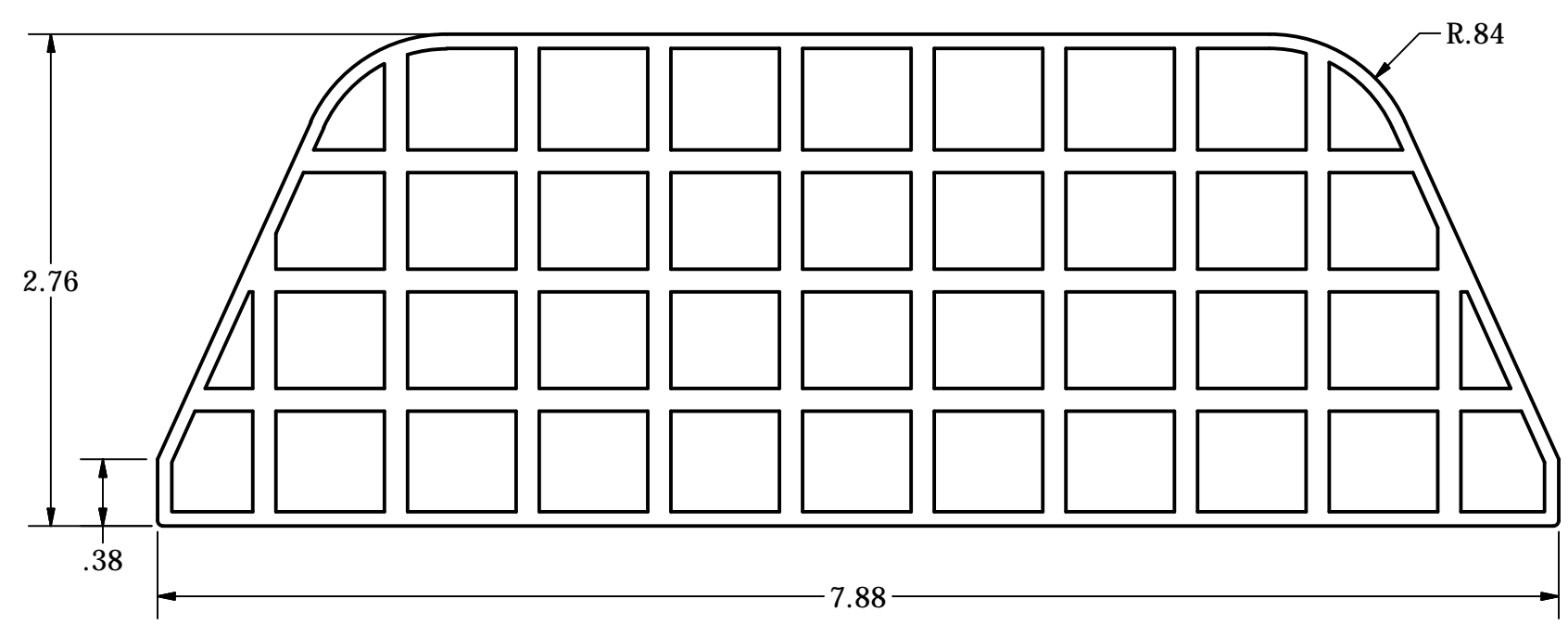
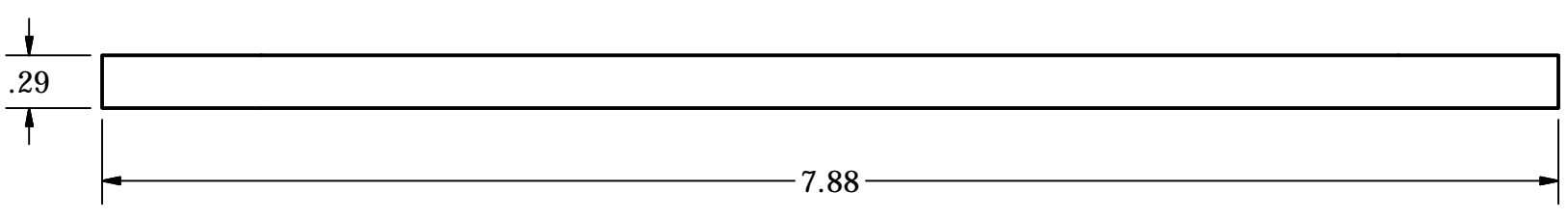
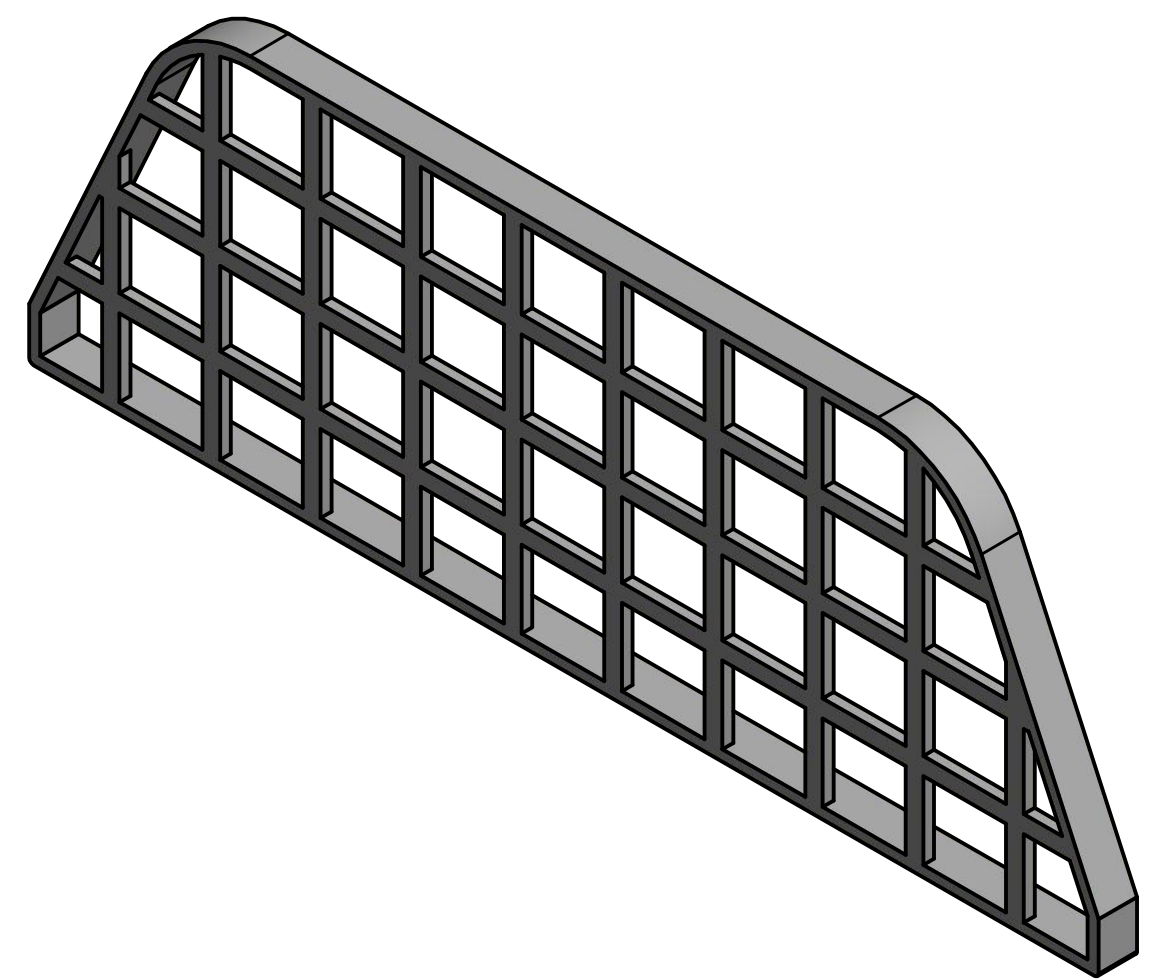
C

B

B

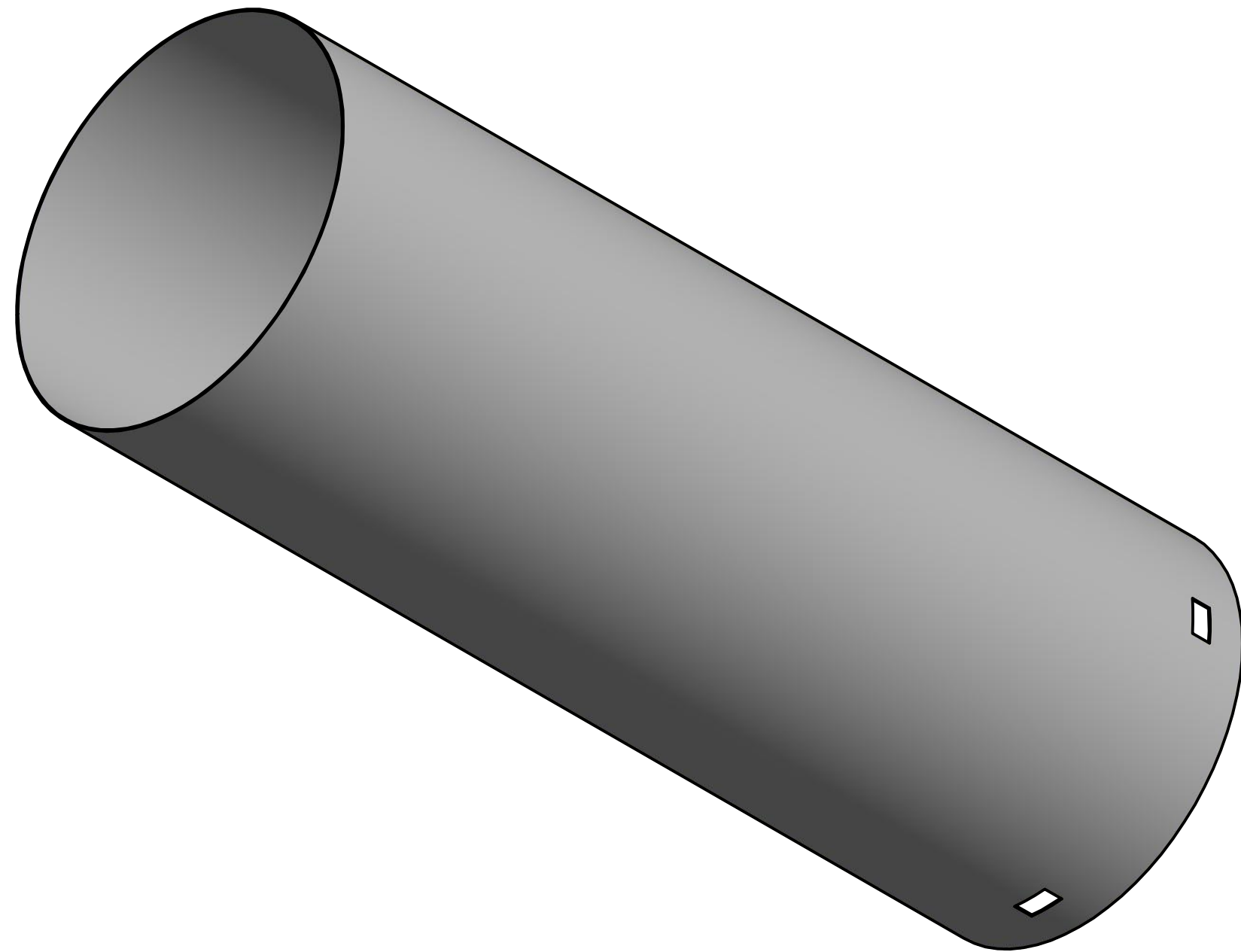
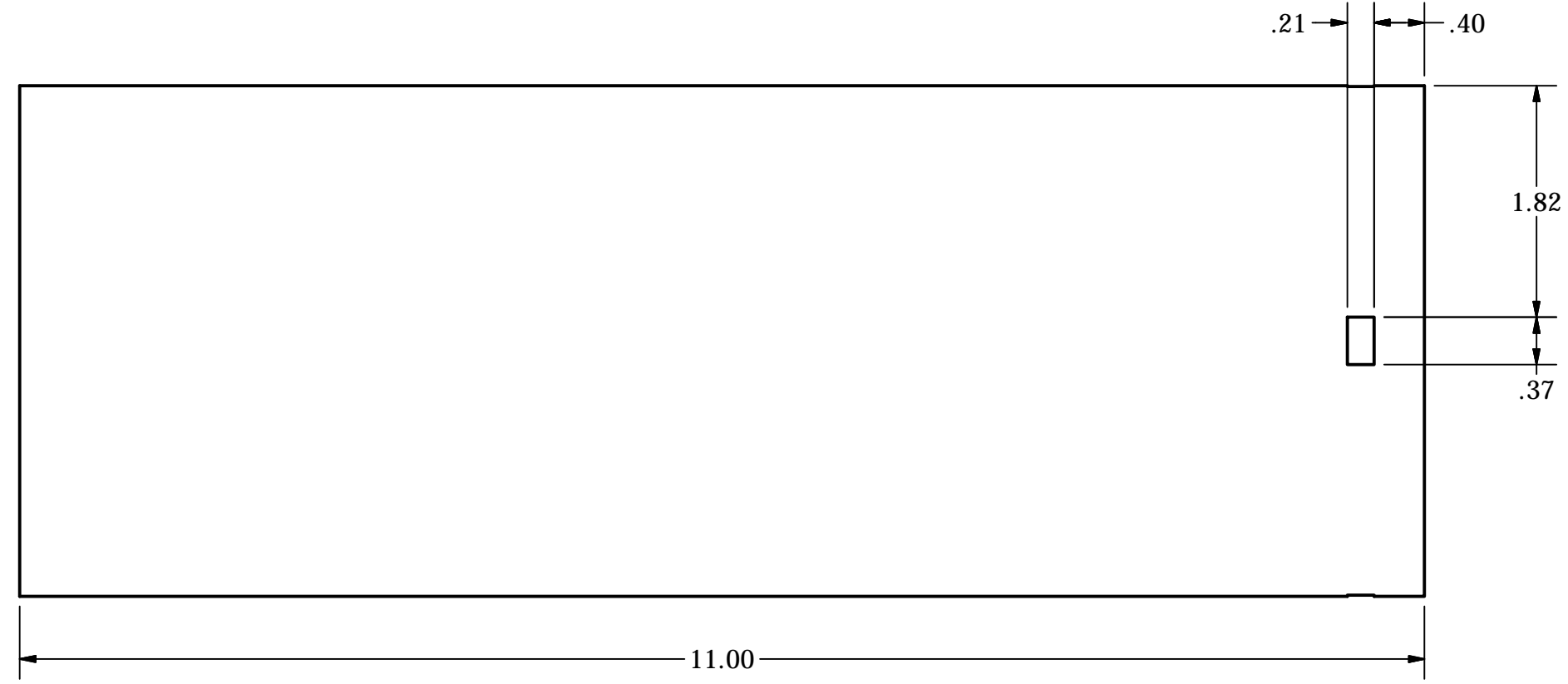
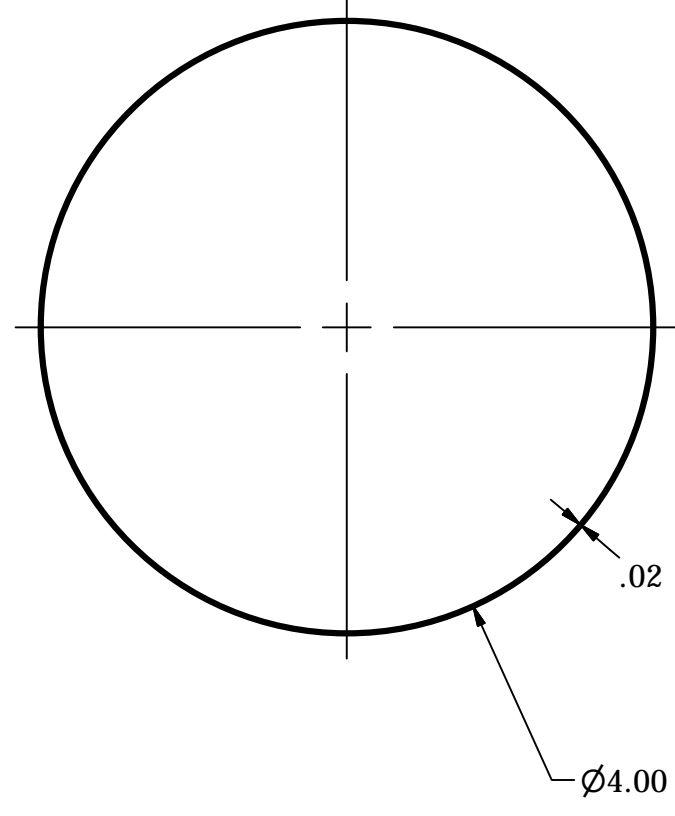
A

A

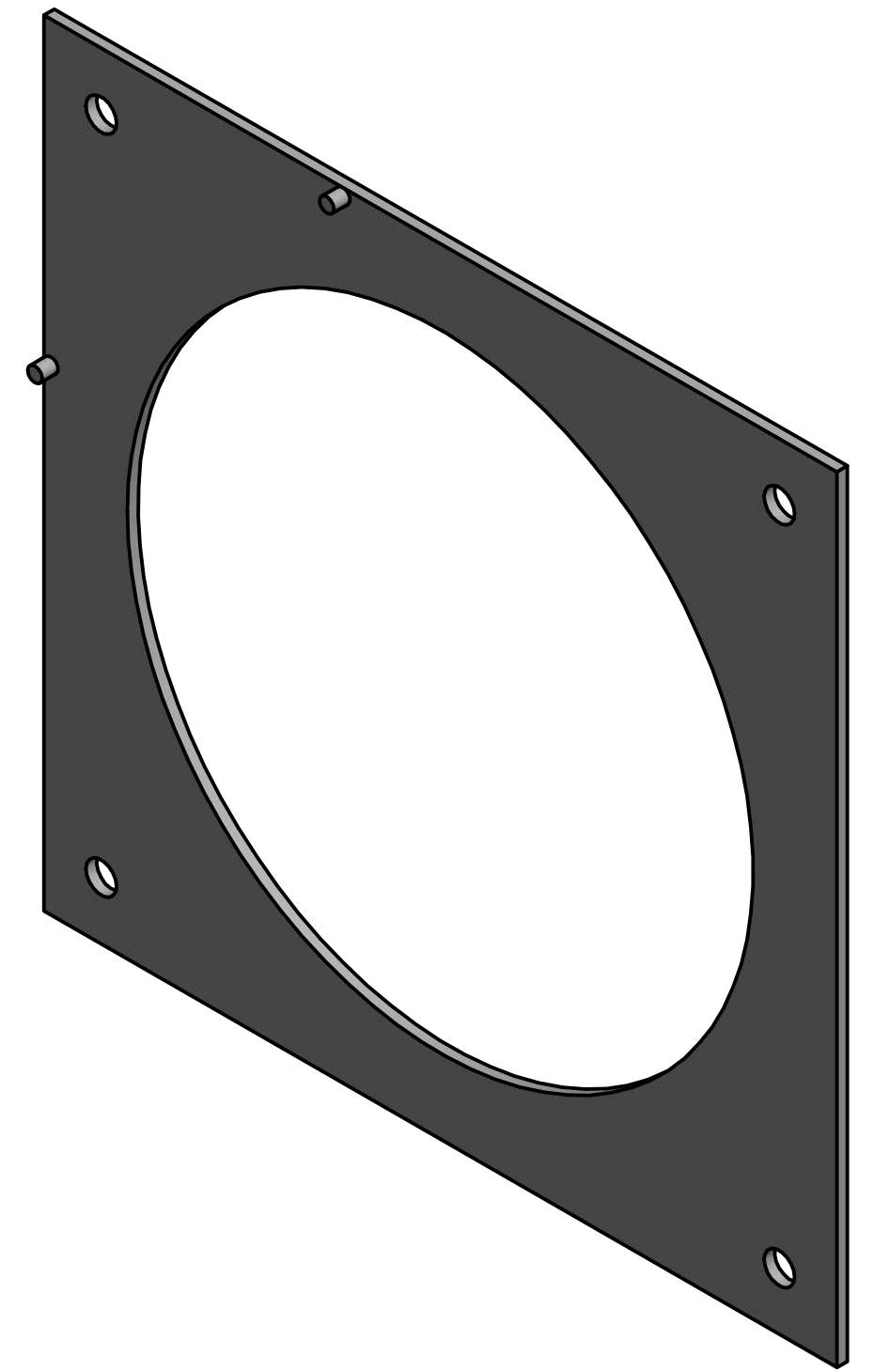
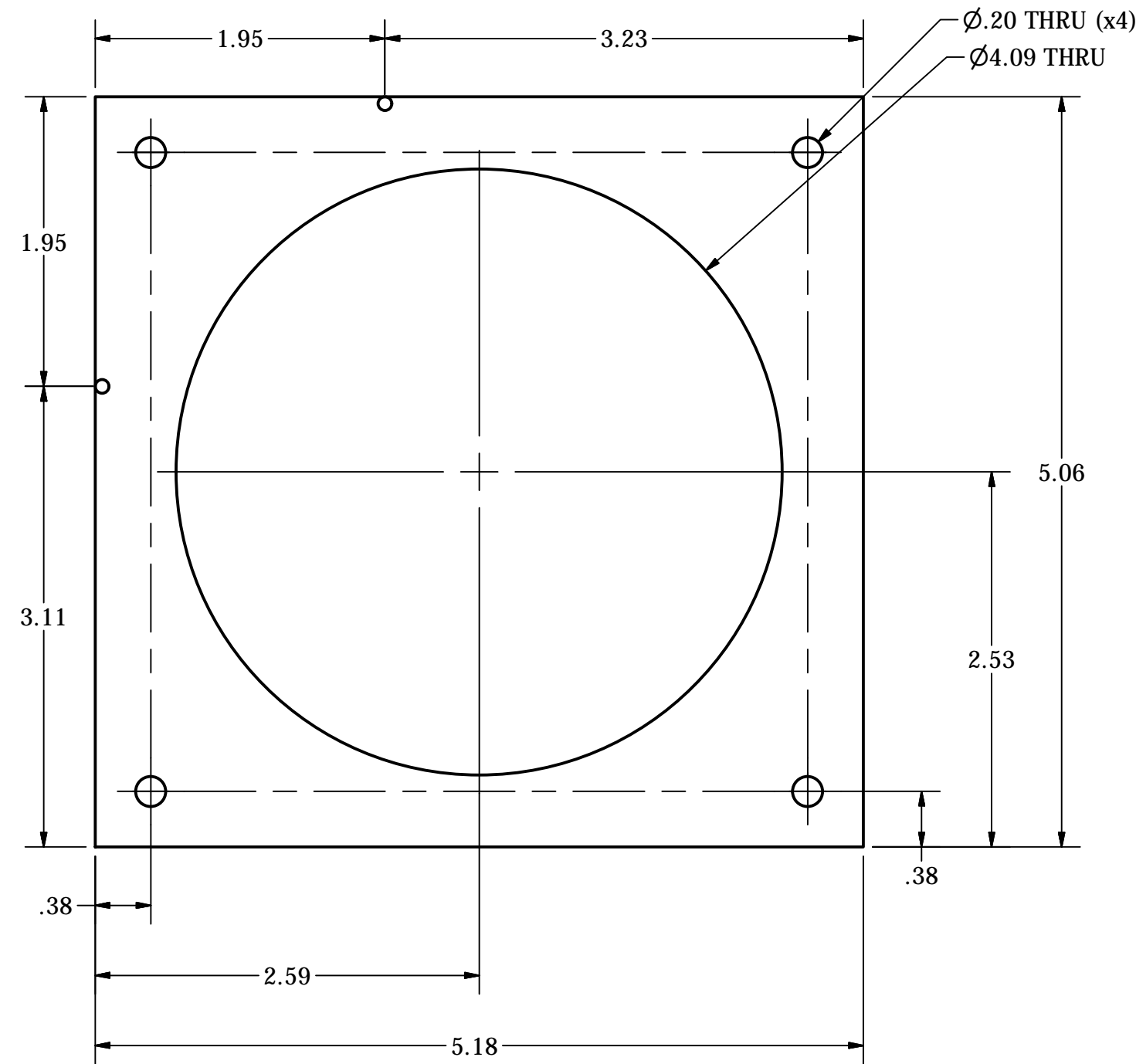
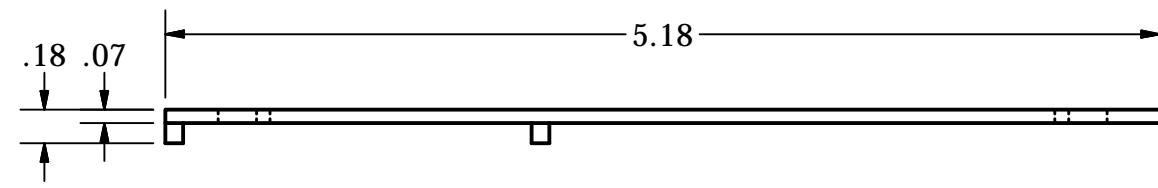


DRAWN JOSEPH VALENTI		11/10/2014		LAMBRO INDUSTRIES, INC.	
CHECKED				TITLE	
QA				1472W FRONT GRILLE	
MFG					
APPROVED					
		SIZE	DWG NO	REV	
		C	1472W		
		SCALE	SHEET 1 OF 1		

4 3 2 1



DRAWN JOSEPH VALENTI	11/10/2014	LAMBRO INDUSTRIES, INC		
CHECKED		TITLE		
QA		1472W TUBE		
MFG		SIZE	DWG NO	REV
APPROVED		C	1472W	
		SCALE	SHEET 1 OF 1	



DRAWN JOSEPH VALENTI	11/10/2014	LAMBRO INDUSTRIES, INC.		
CHECKED		TITLE		
QA		1472W PLASTIC MOUNT		
MFG		SIZE C	DWG NO 1472W	REV
APPROVED		SCALE	SHEET 1 OF 1	