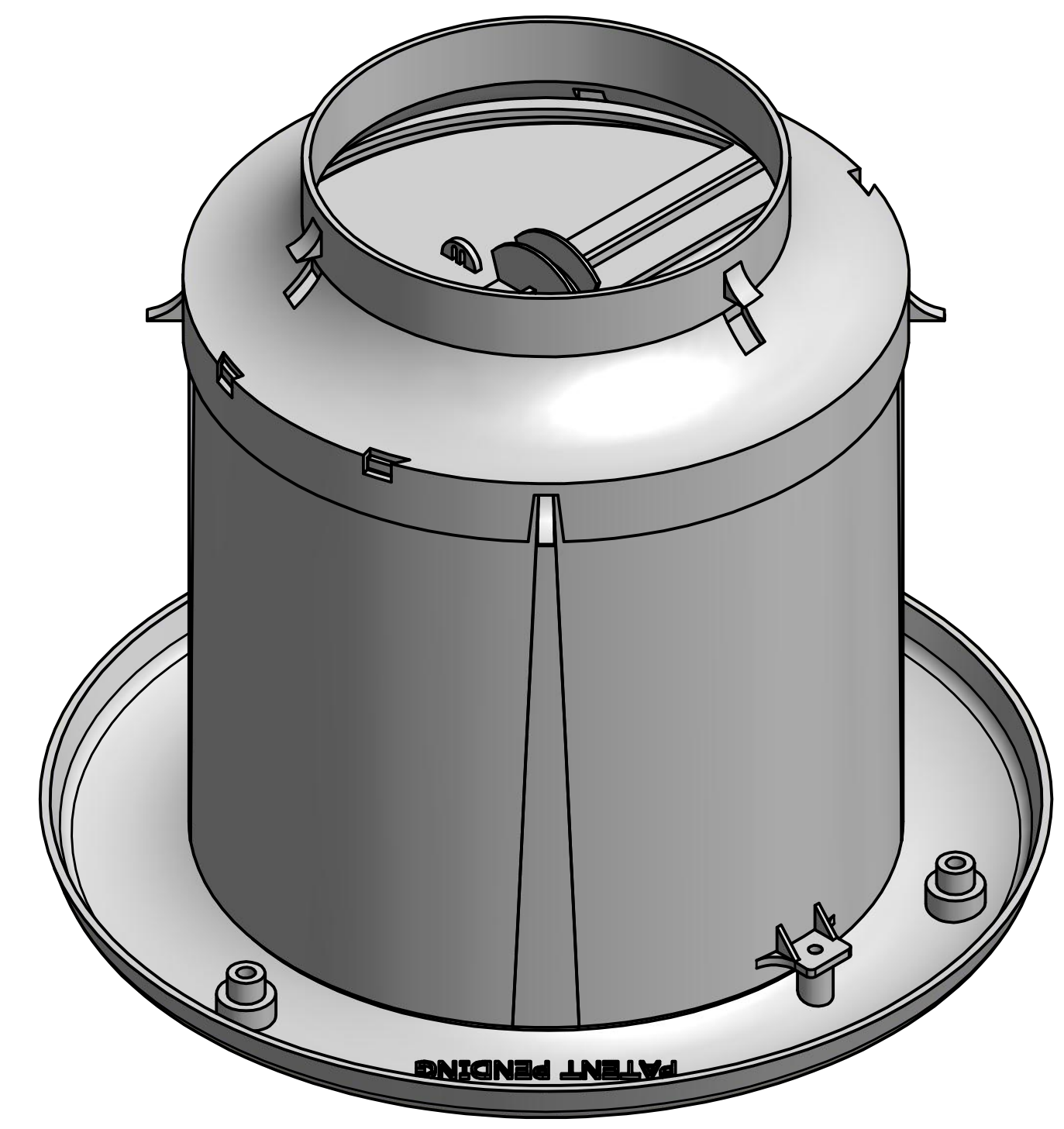
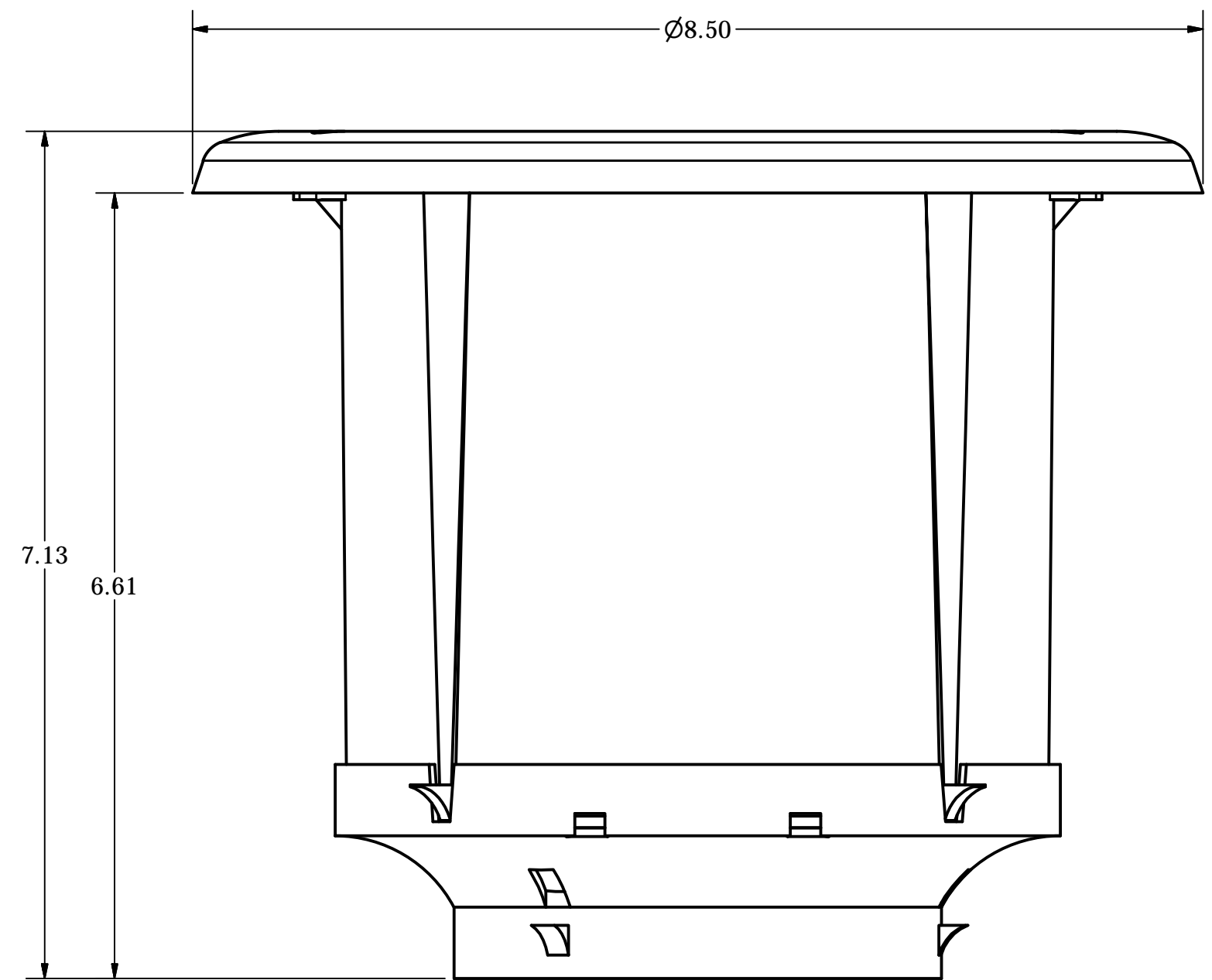
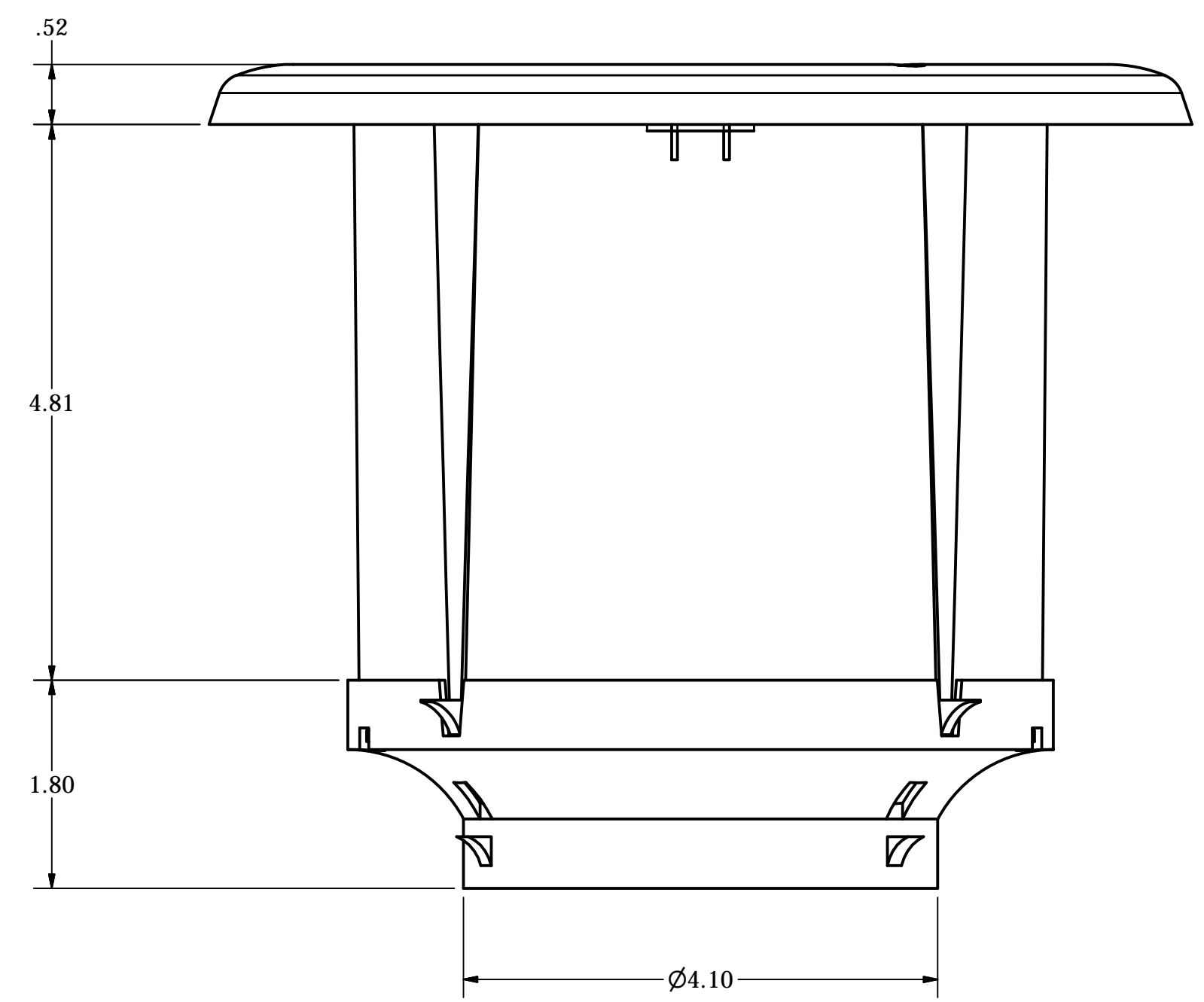
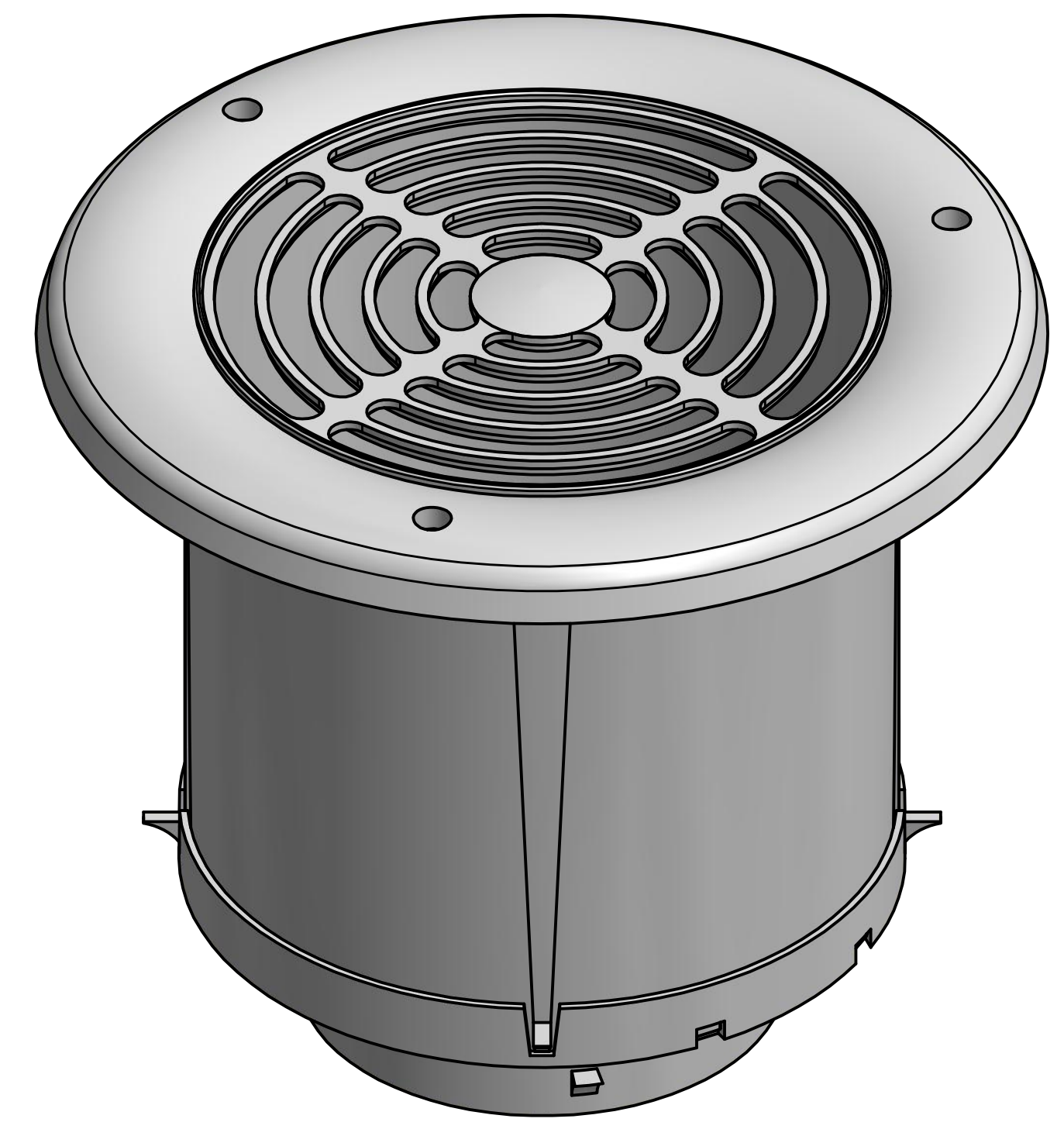
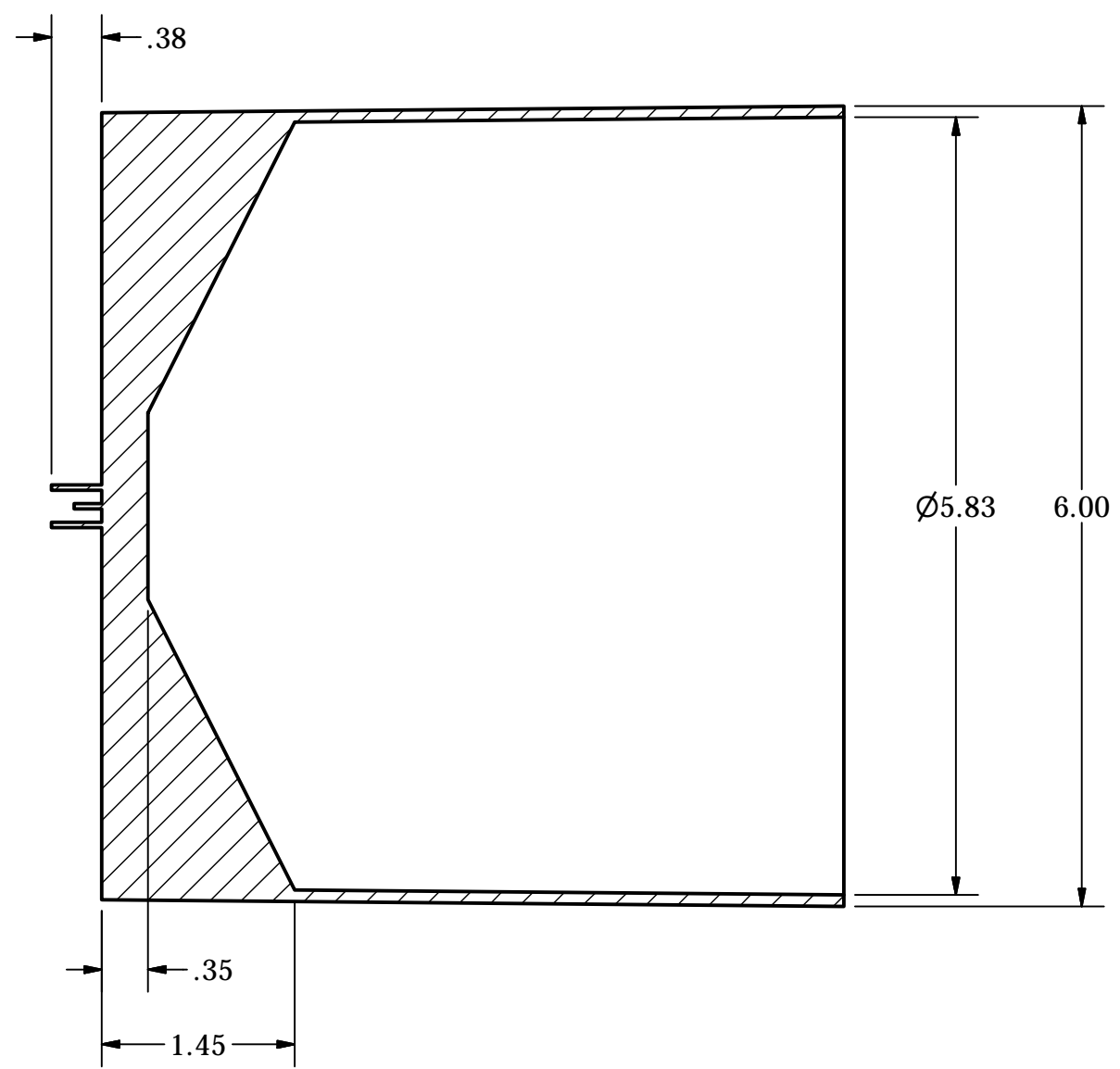
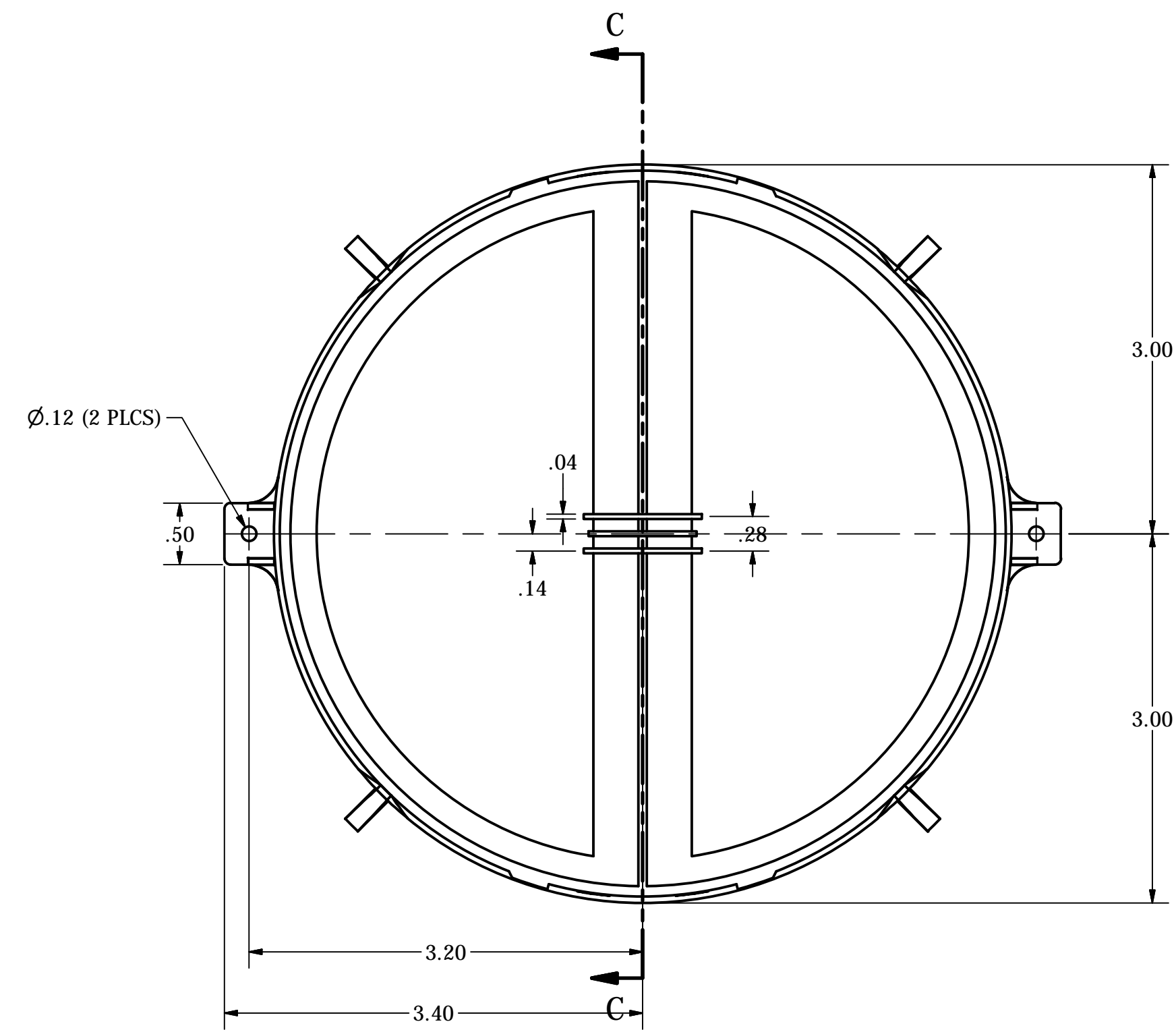


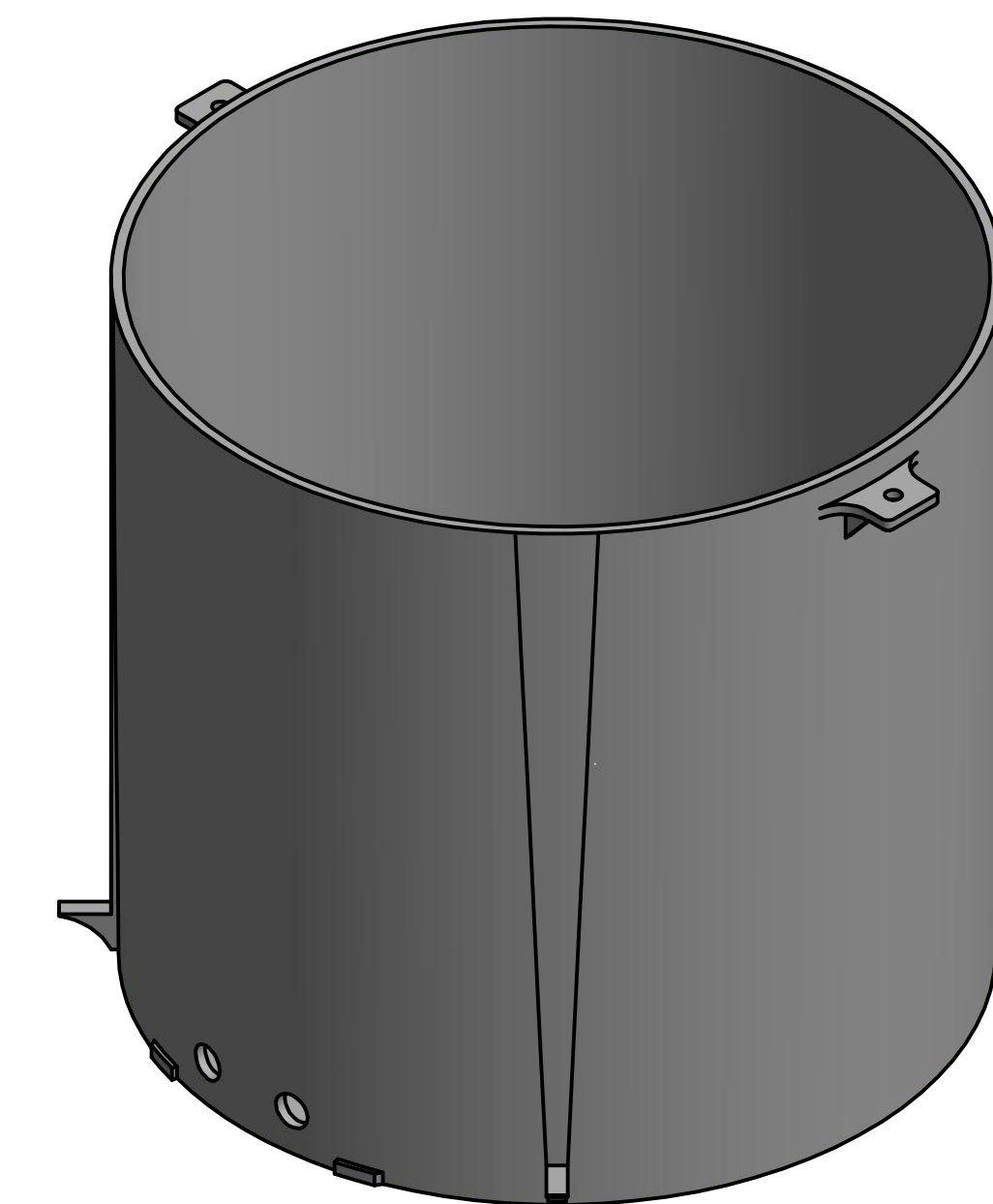
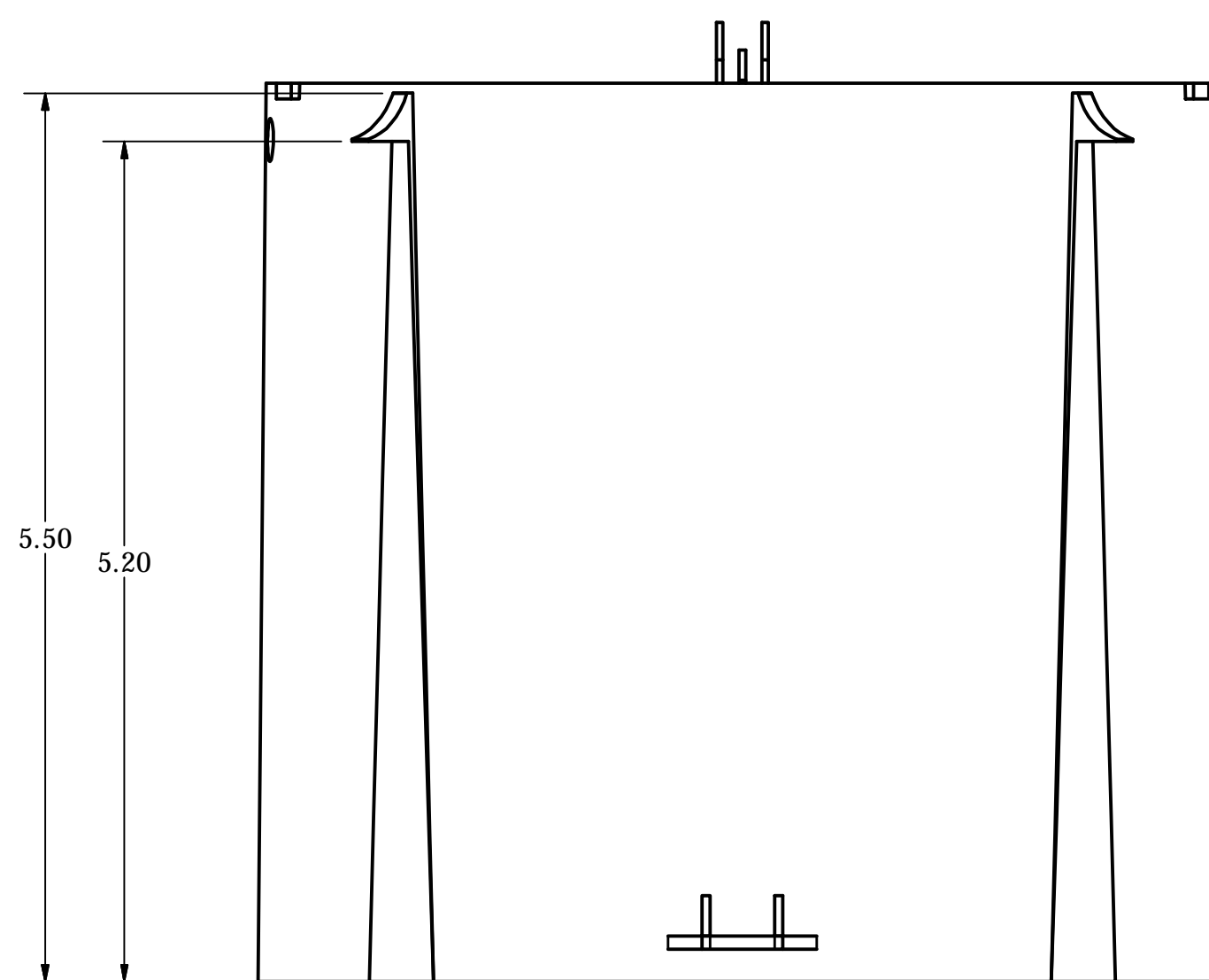
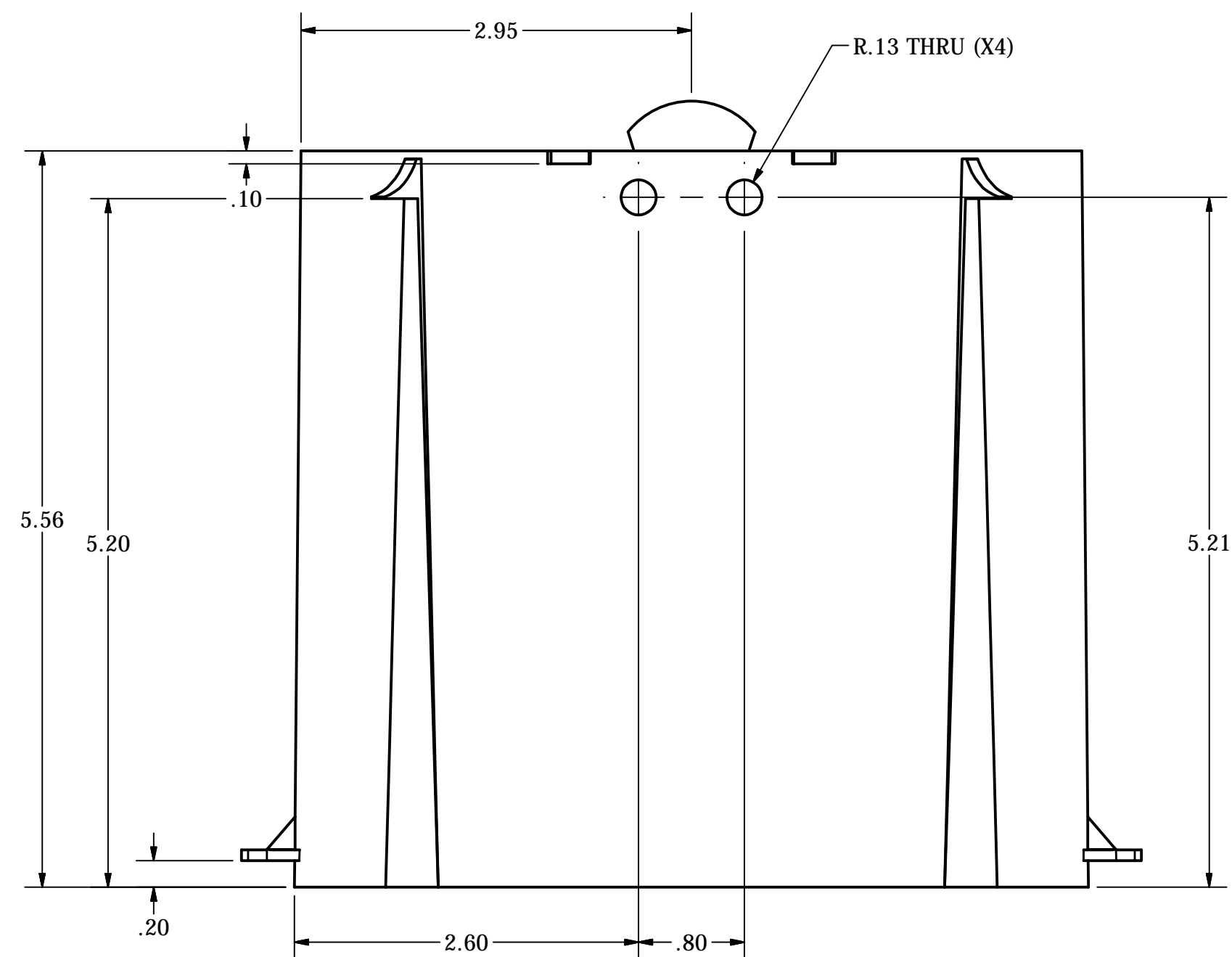
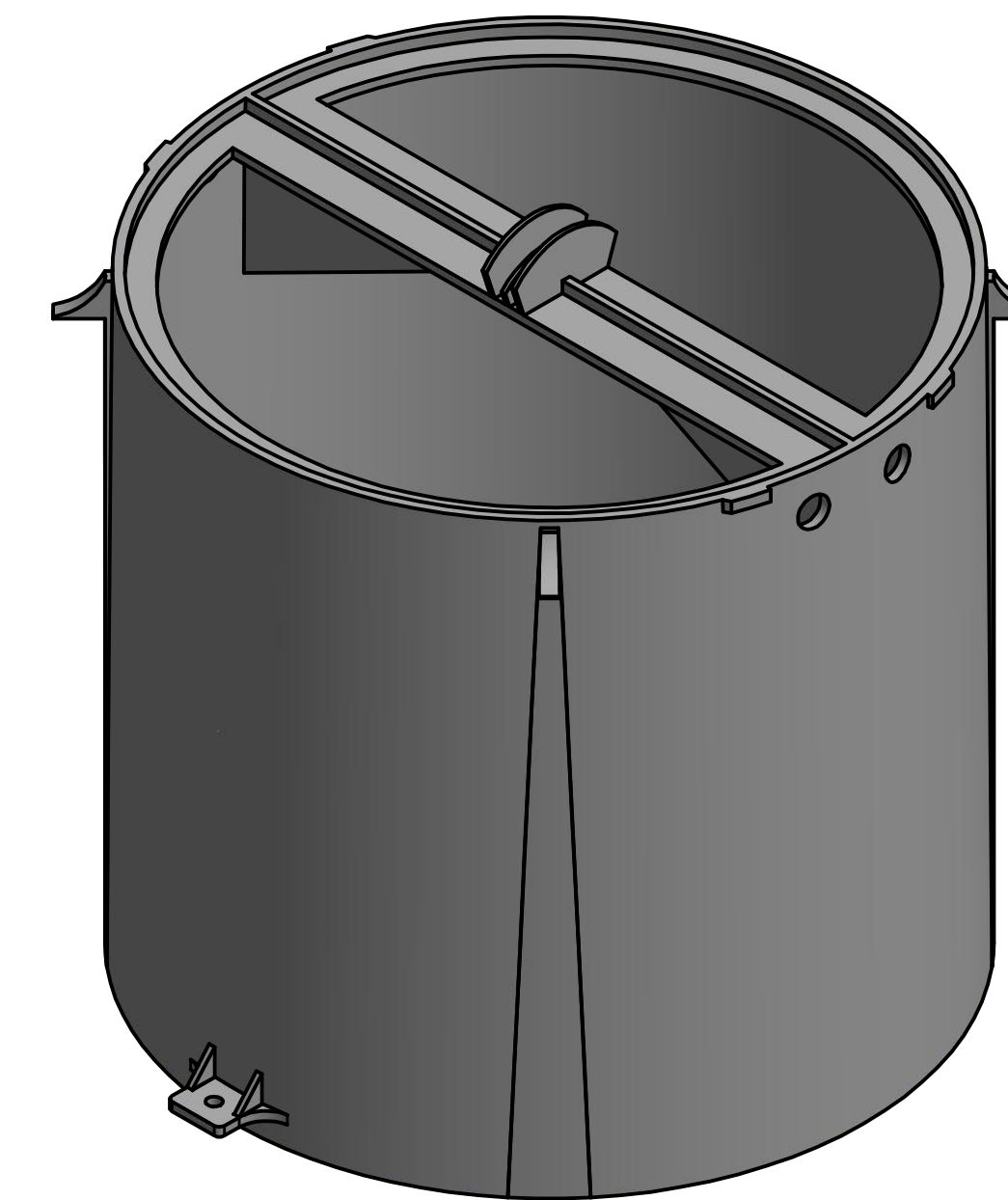
SECTION A-A



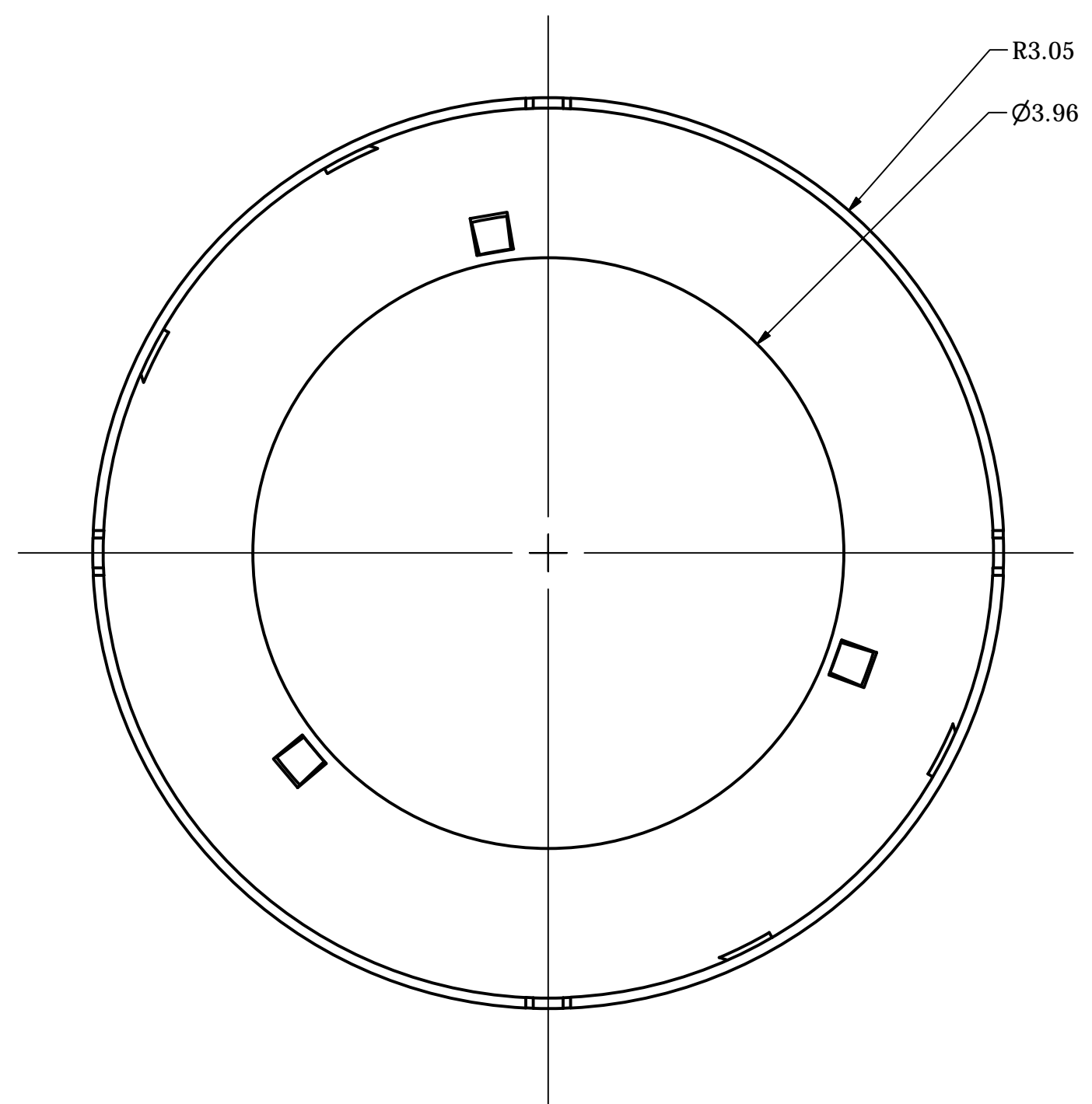
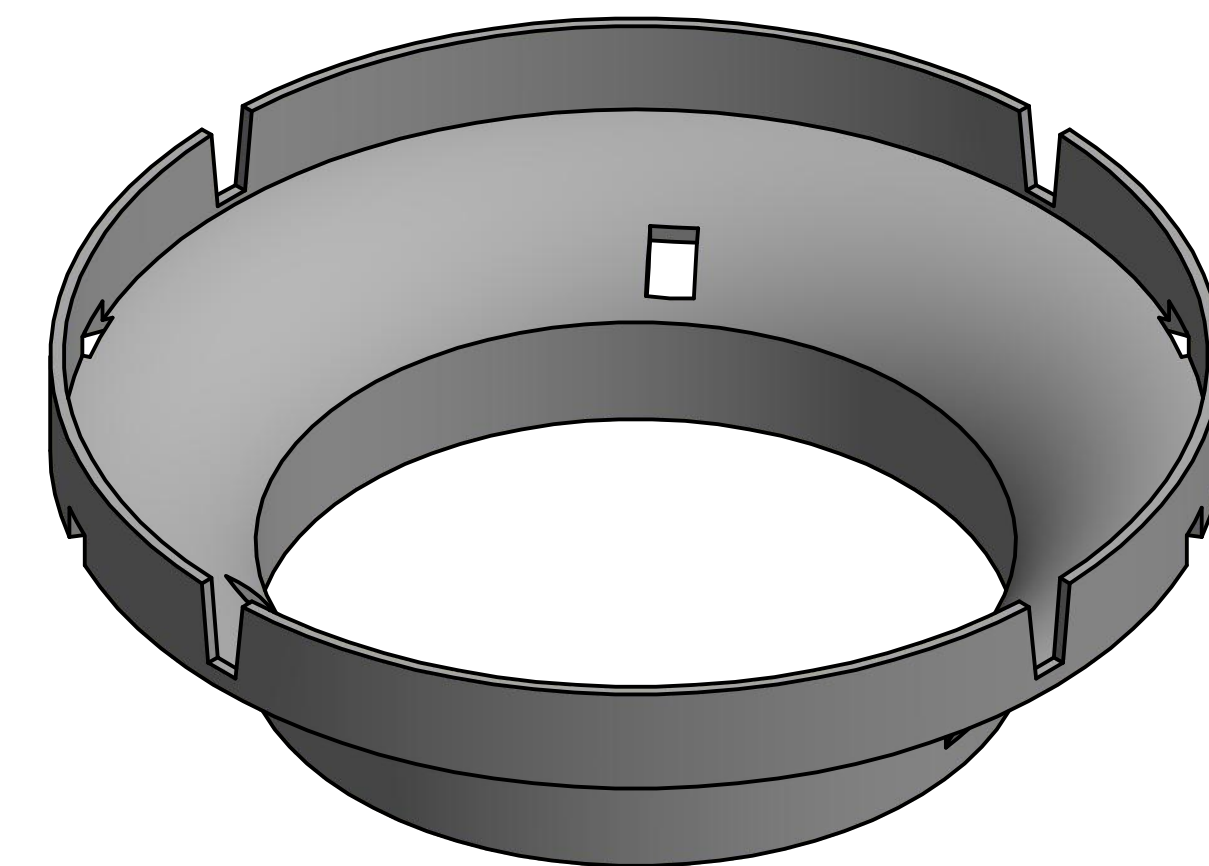
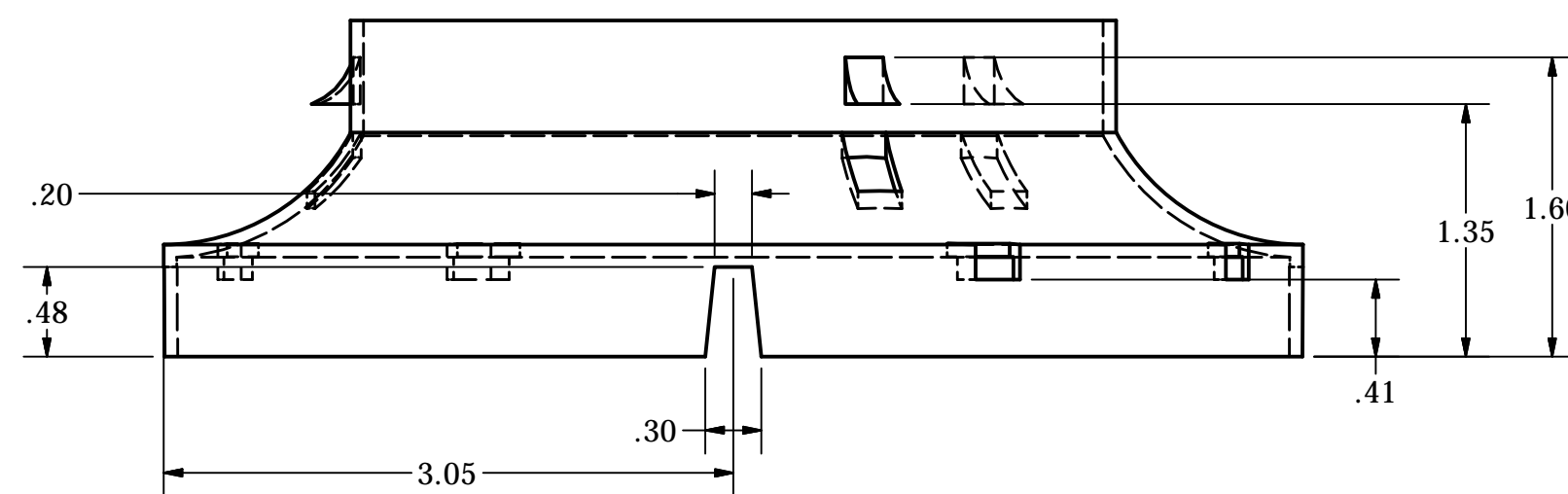
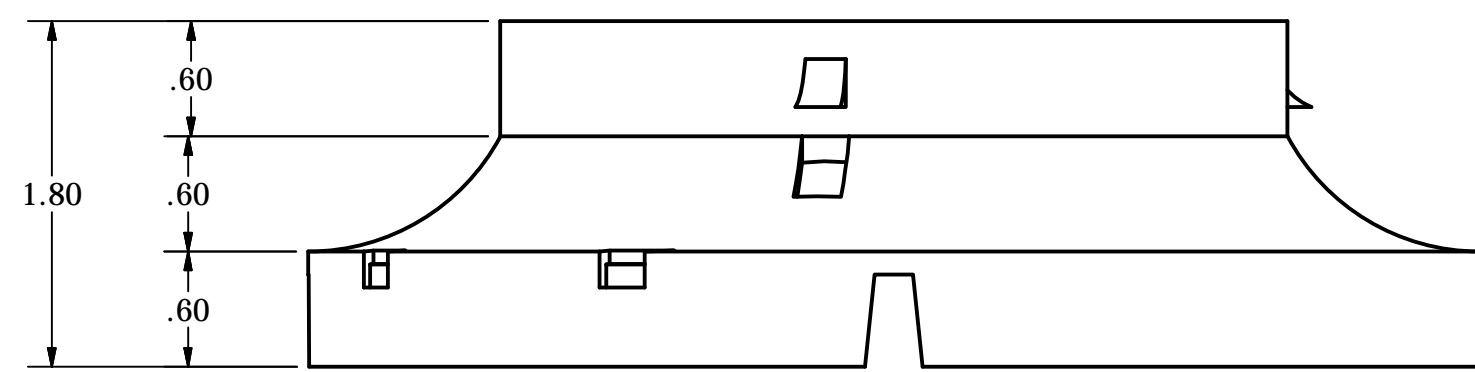
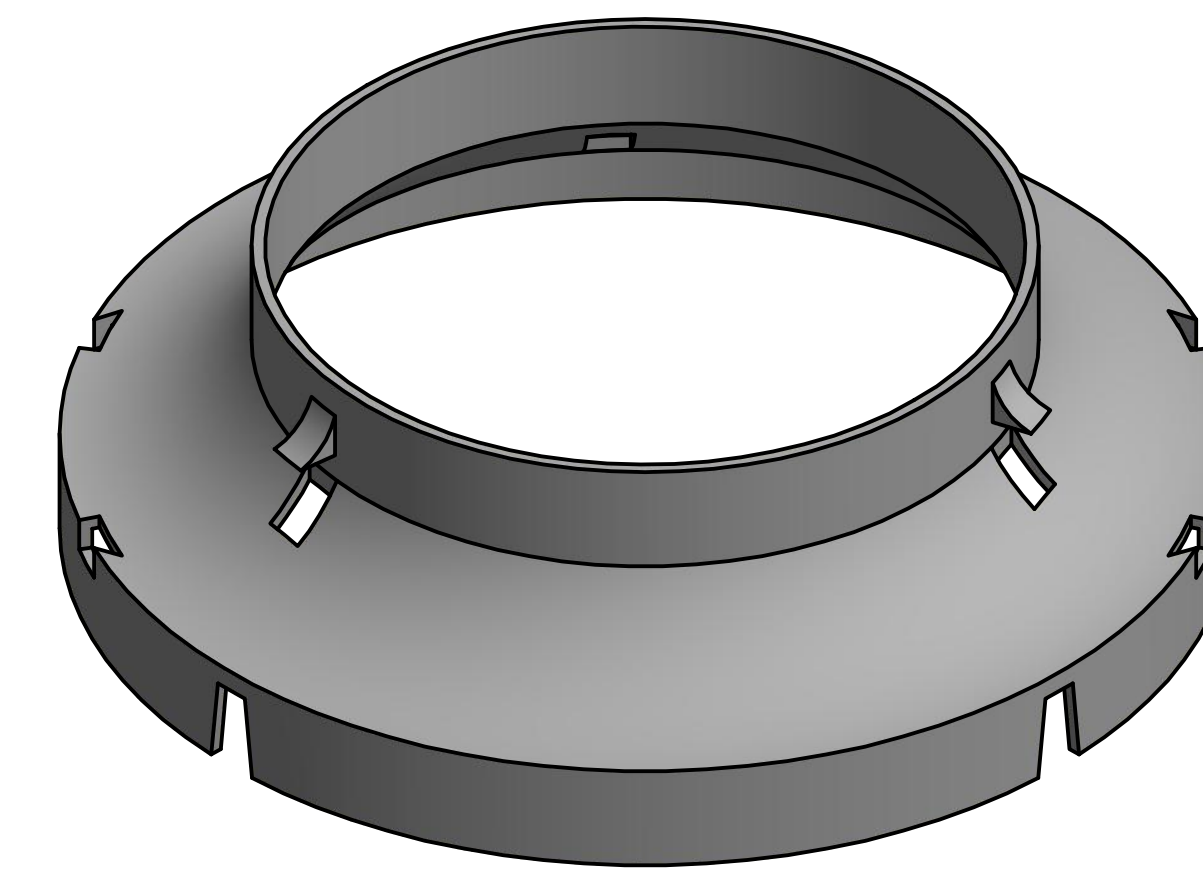
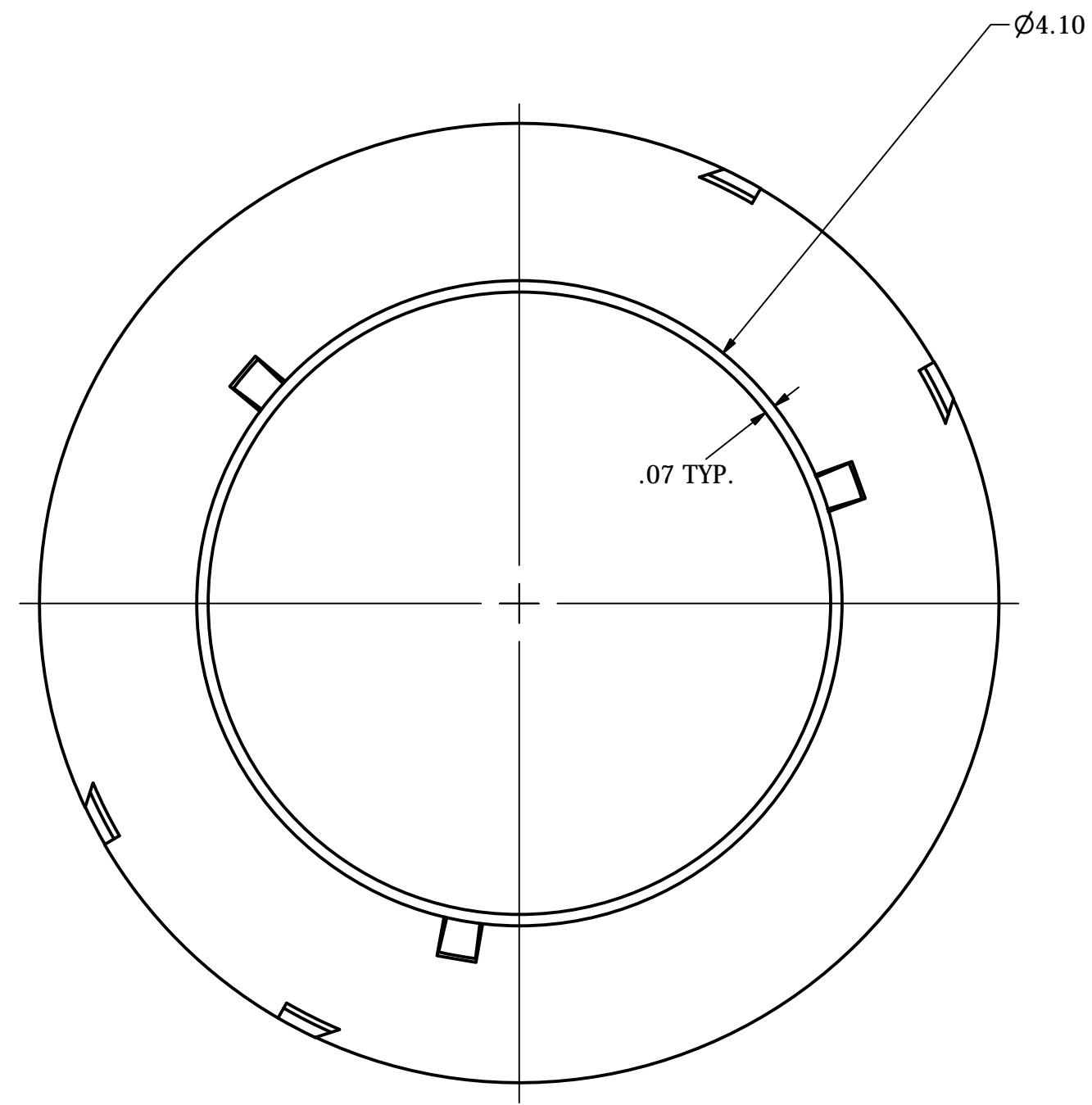
DRAWN	JOSEPH VALENTI	7/27/2014	LAMBRO INDUSTRIES, INC.		
CHECKED			TITLE		
QA			163W - 4" & 6" White Plastic Soffit Exhaust Vent		
MFG			SIZE	DWG NO	REV
APPROVED			D	L163W ASSEMBLY	
			SCALE		SHEET 1 OF 1



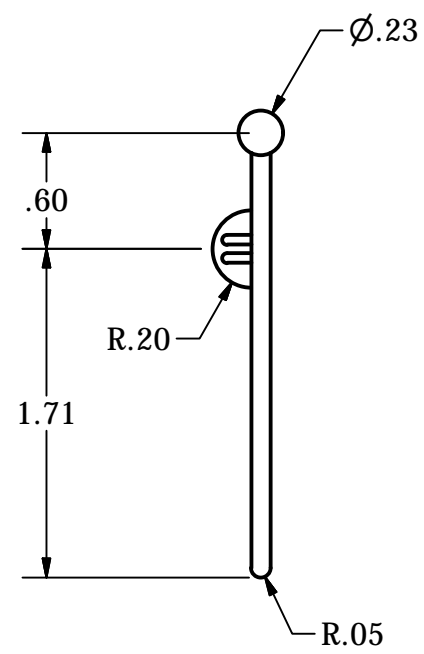
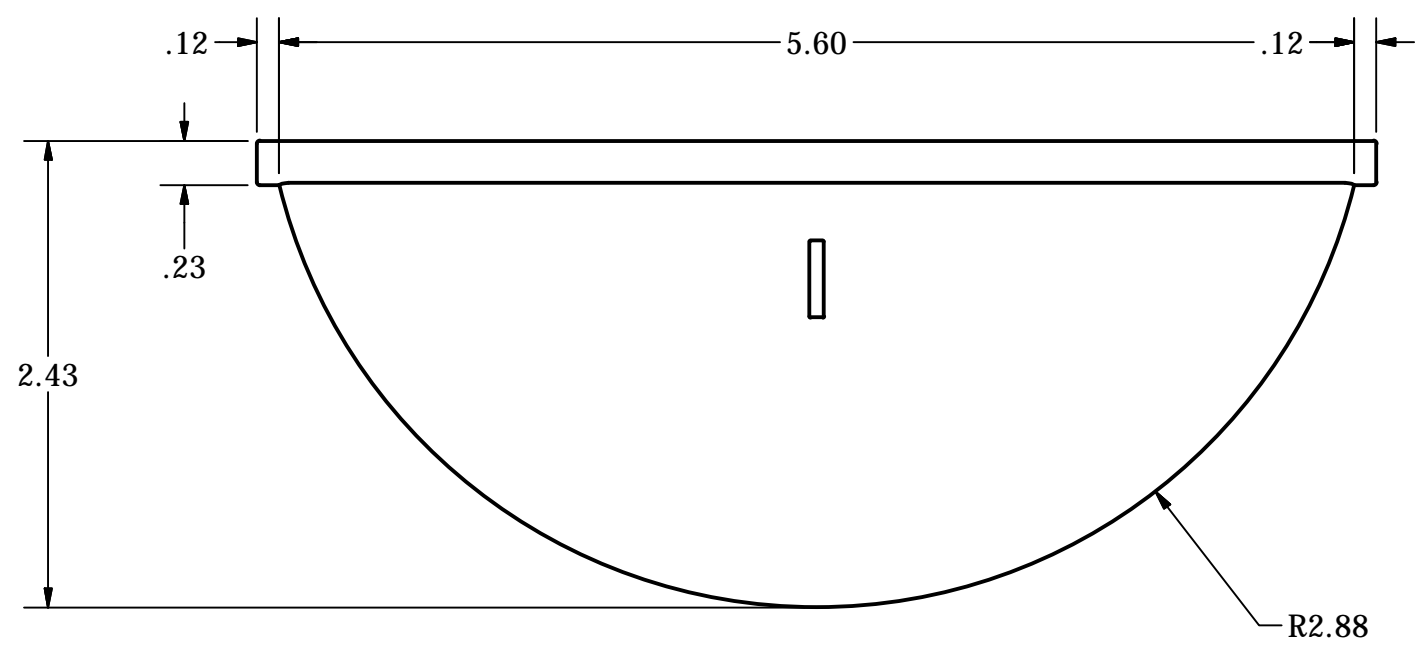
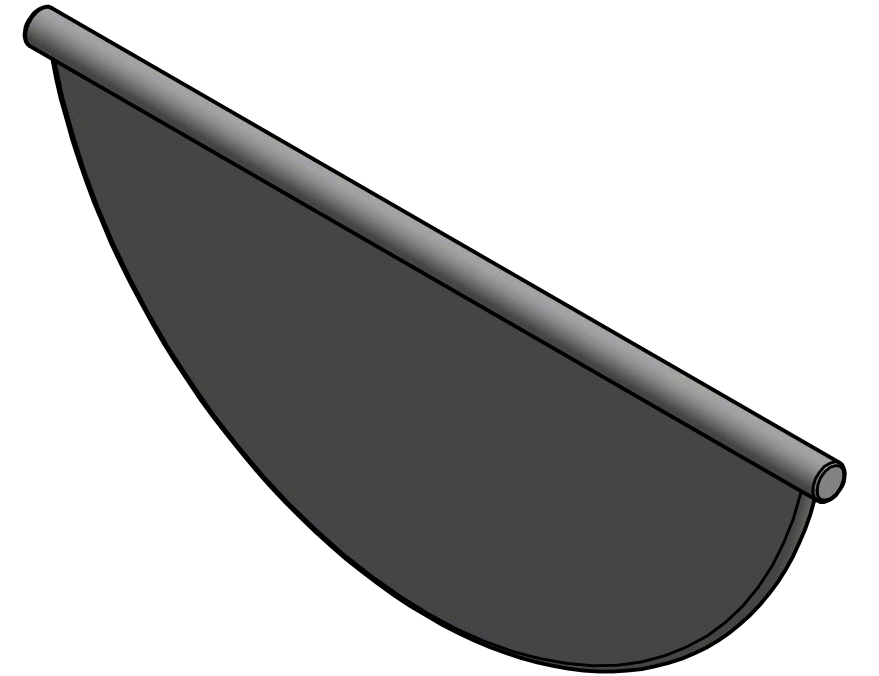
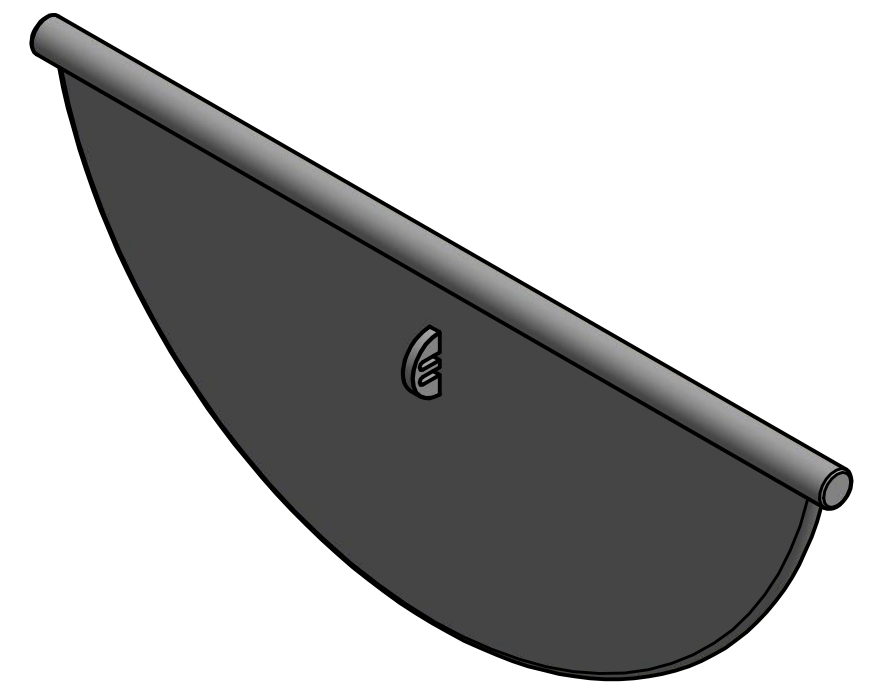
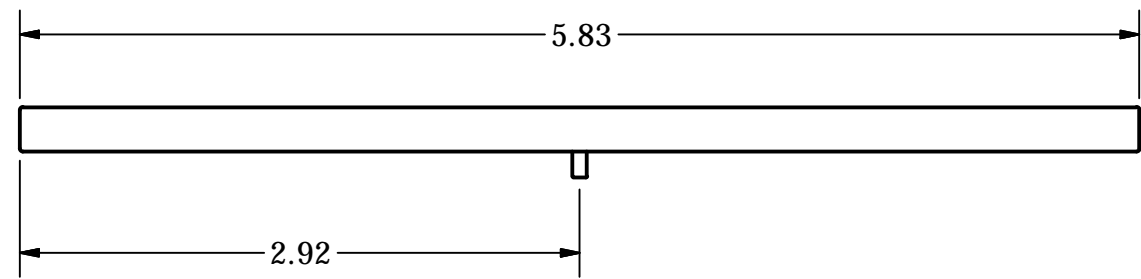
SECTION C-C



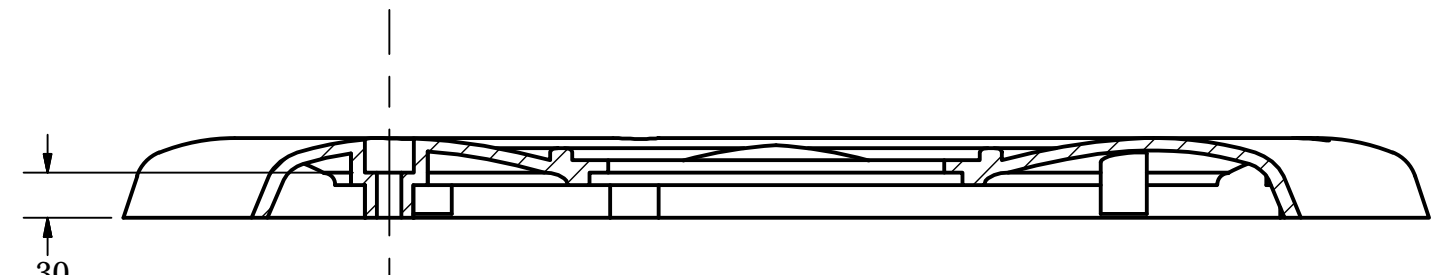
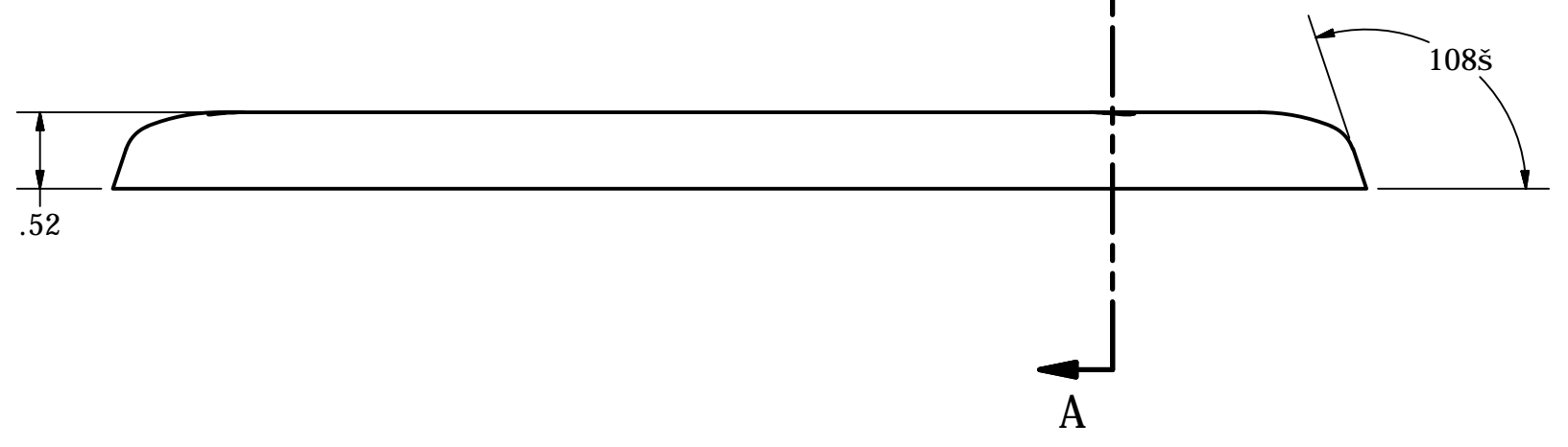
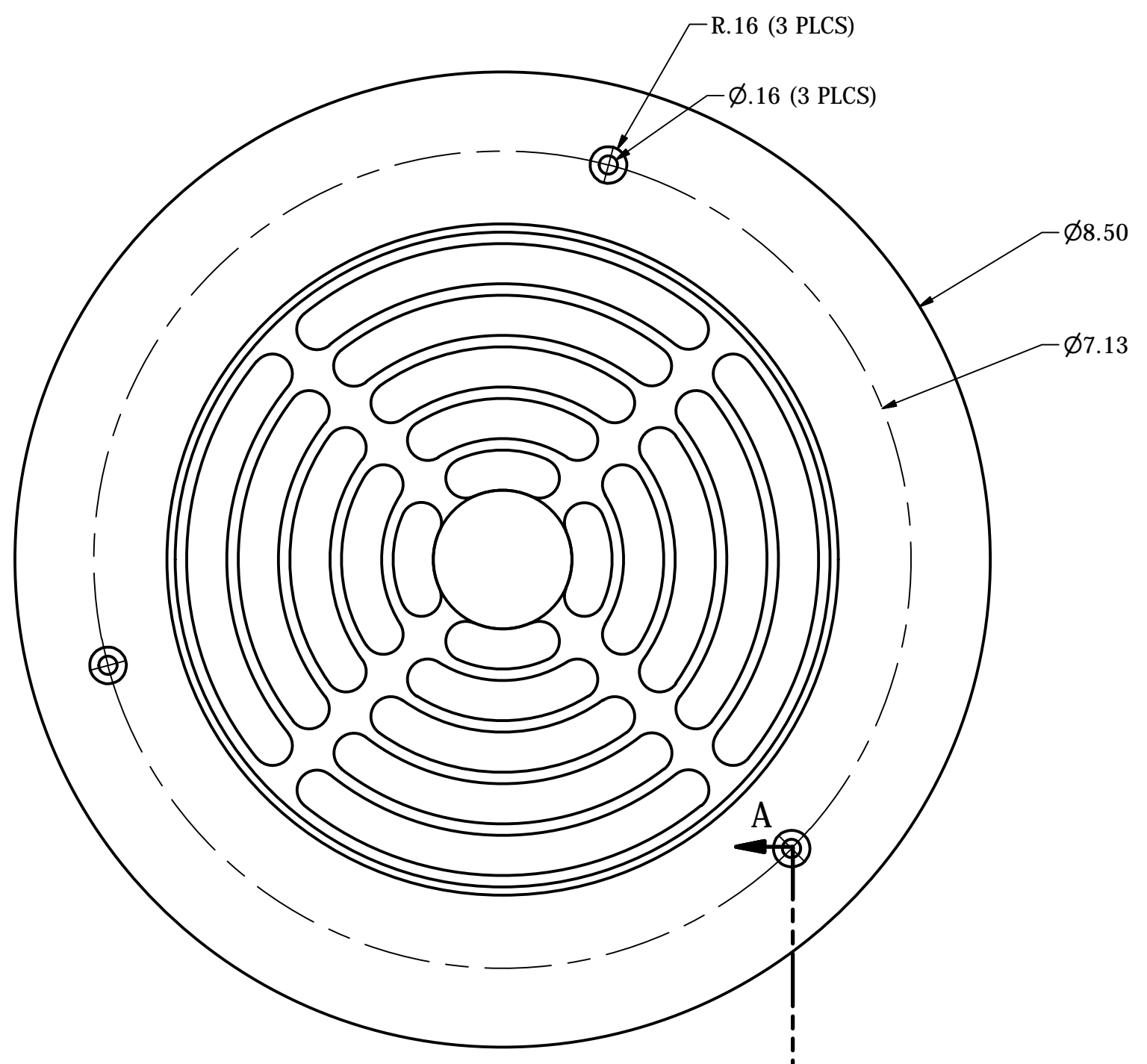
DRAWN	JOSEPH VALENTI	7/27/2014	LAMBRO INDUSTRIES, INC.		
CHECKED			TITLE		
QA			BASE		
MFG					
APPROVED					
			SIZE	DWG NO	REV
			D	L163W BASE	
			SCALE	SHEET 1 OF 1	



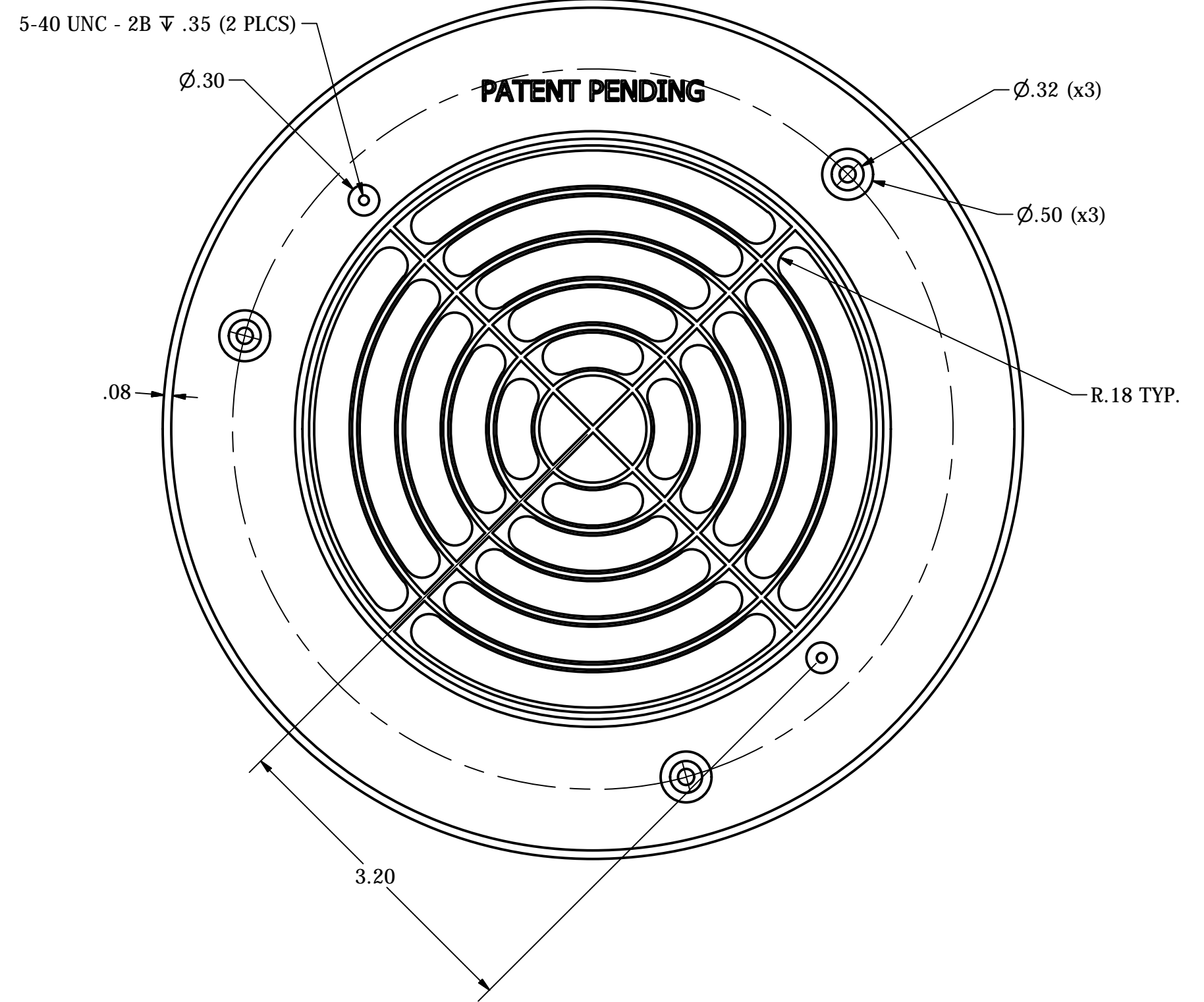
DRAWN	JOSEPH VALENTI	7/27/2014	LAMBRO INDUSTRIES, INC.		
CHECKED			TITLE		
QA			BOTTOM CAP		
MFG			SIZE	DWG NO	REV
APPROVED			D	L163W BOTTOM CAP	
			SCALE		SHEET 1 OF 1



DRAWN JOSEPH VALENTI	7/27/2014	LAMBRO INDUSTRIES, INC.		
CHECKED		TITLE		
QA		EXHAUST FLAP		
MFG		SIZE C	DWG NO L163W FLAP	REV
APPROVED		SCALE	SHEET 1 OF 1	



SECTION A-A



DRAWN JOSEPH VALENTI	7/27/2014	LAMBRO INDUSTRIES, INC.	
CHECKED		TITLE	
QA		FRONT COVER	
MFG		SIZE	DWG NO
APPROVED		D	L163W CAP
		SCALE	REV
			SHEET 1 OF 1