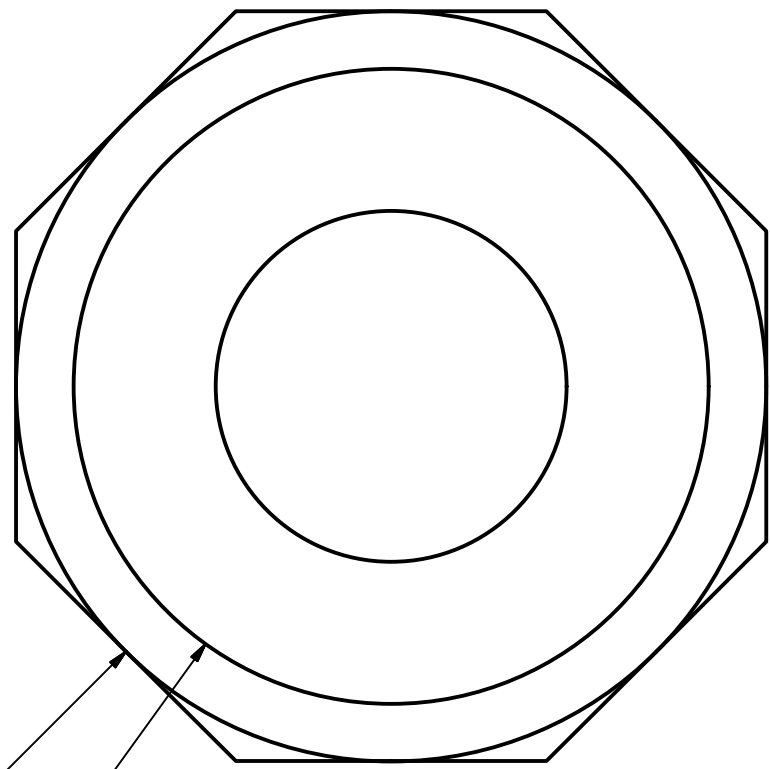
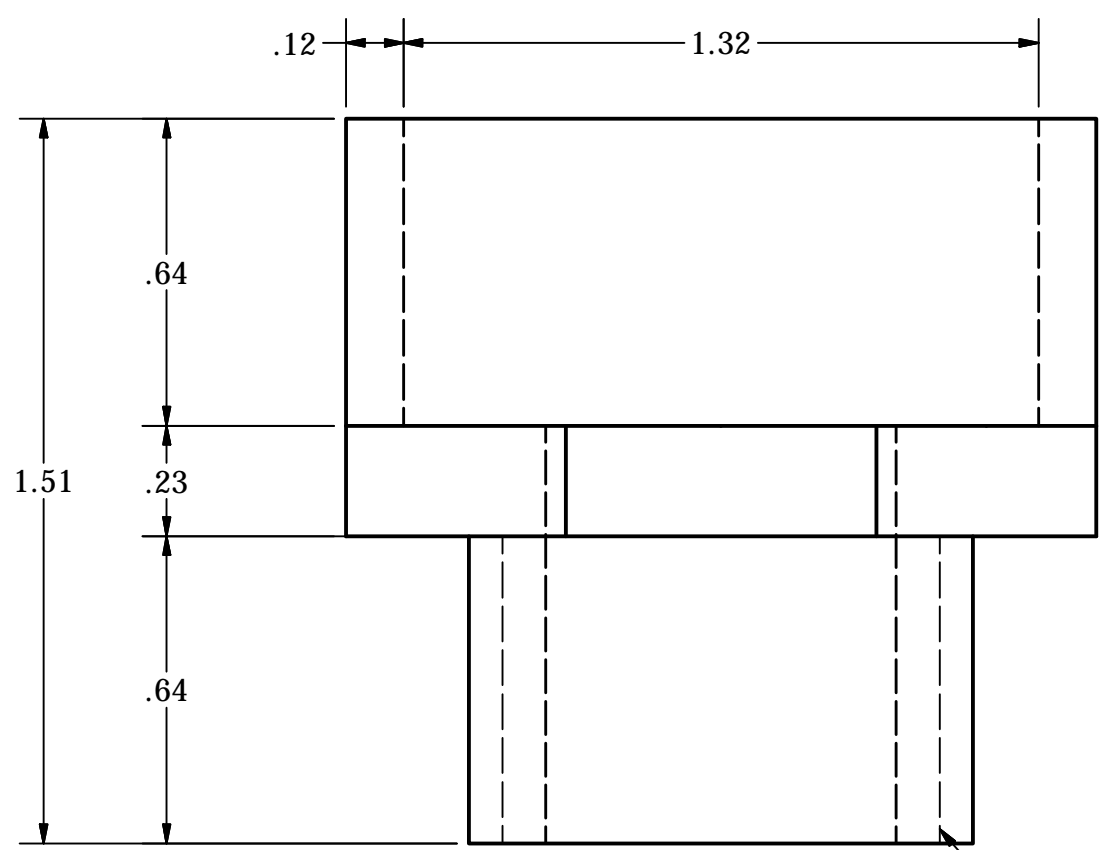
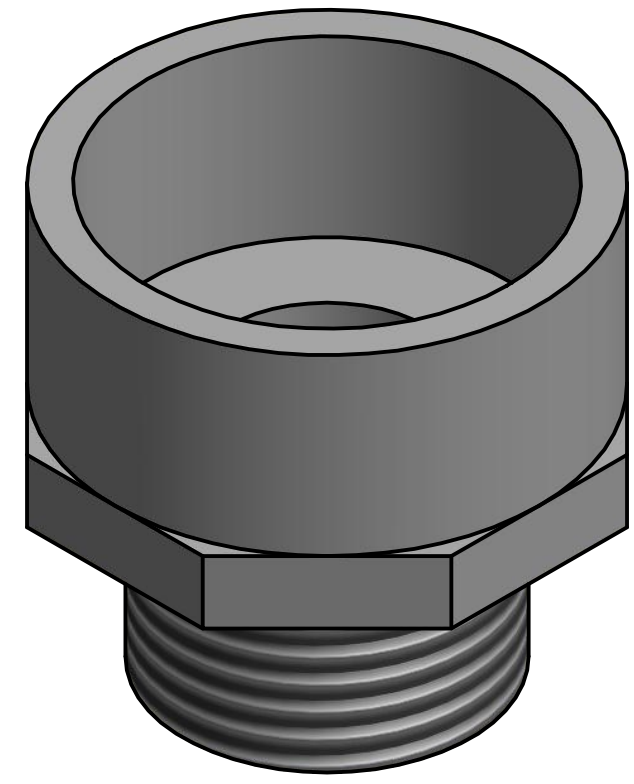


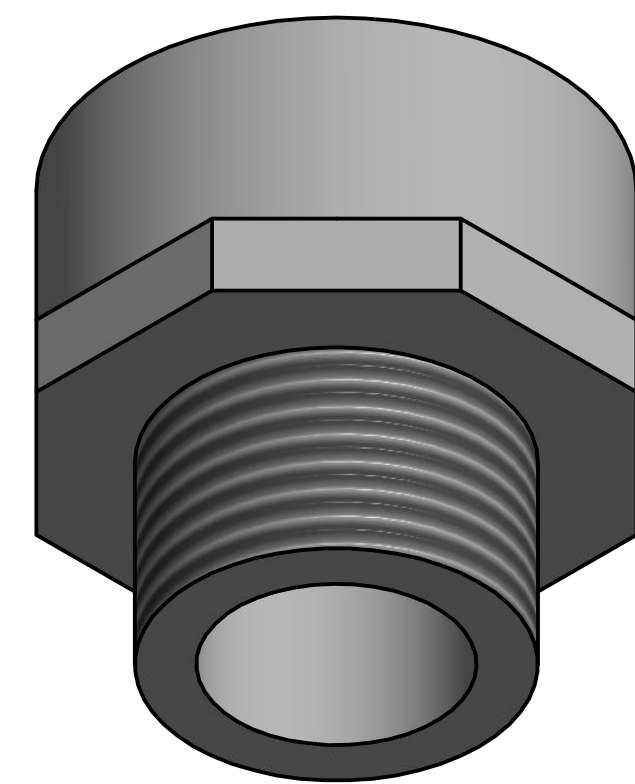
DRAWN	JOSEPH VALENTI	9/1/2014	LAMBRO INDUSTRIES, INC.		
CHECKED			TITLE		
QA			LARGE PAN		
MFG			SIZE	DWG NO	REV
APPROVED			D	LARGE DRAIN PAN	
			SCALE		SHEET 1 OF 1



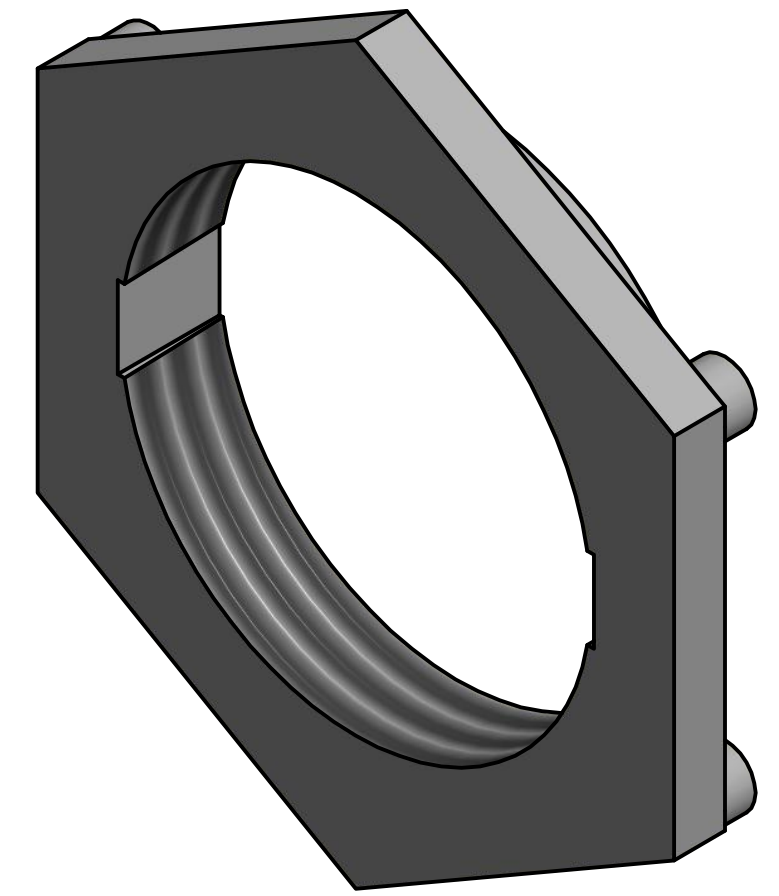
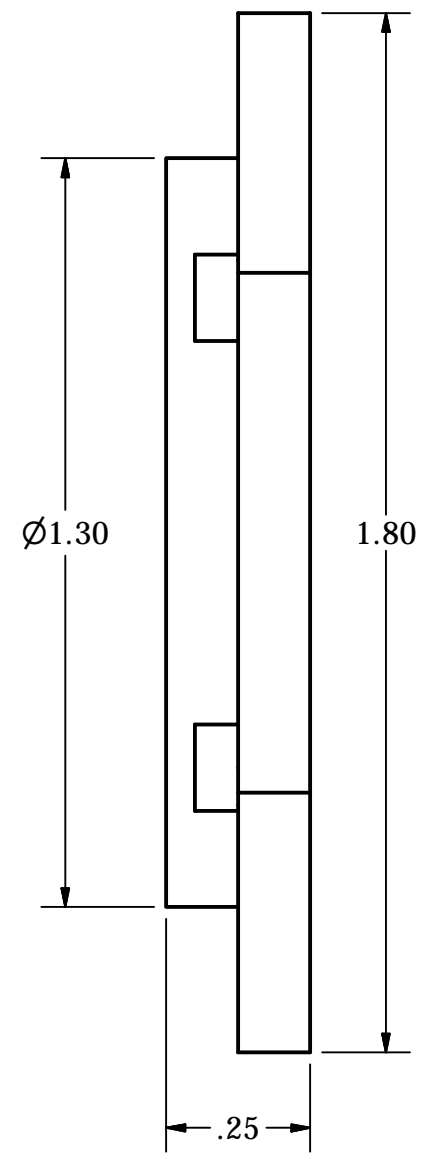
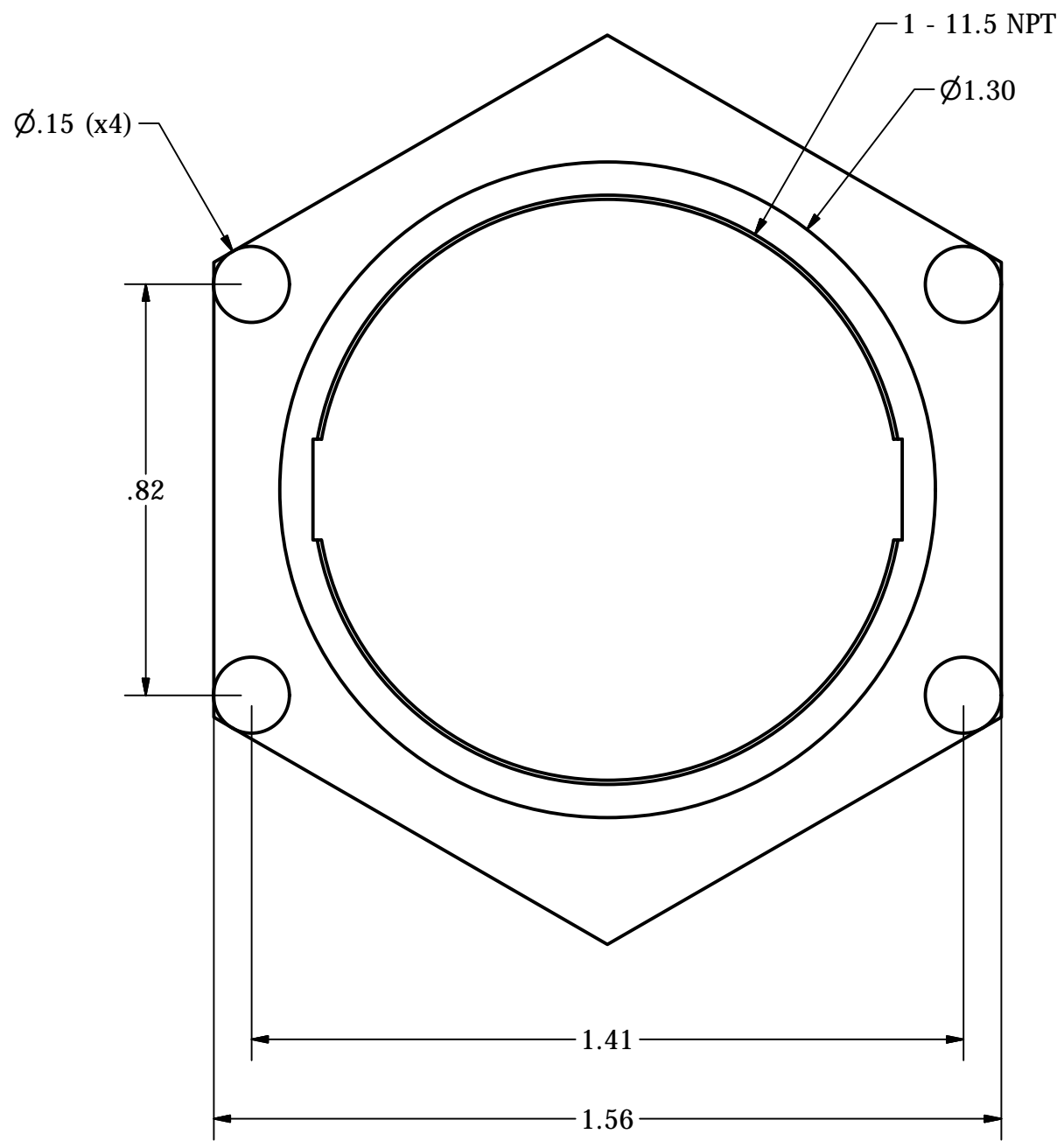
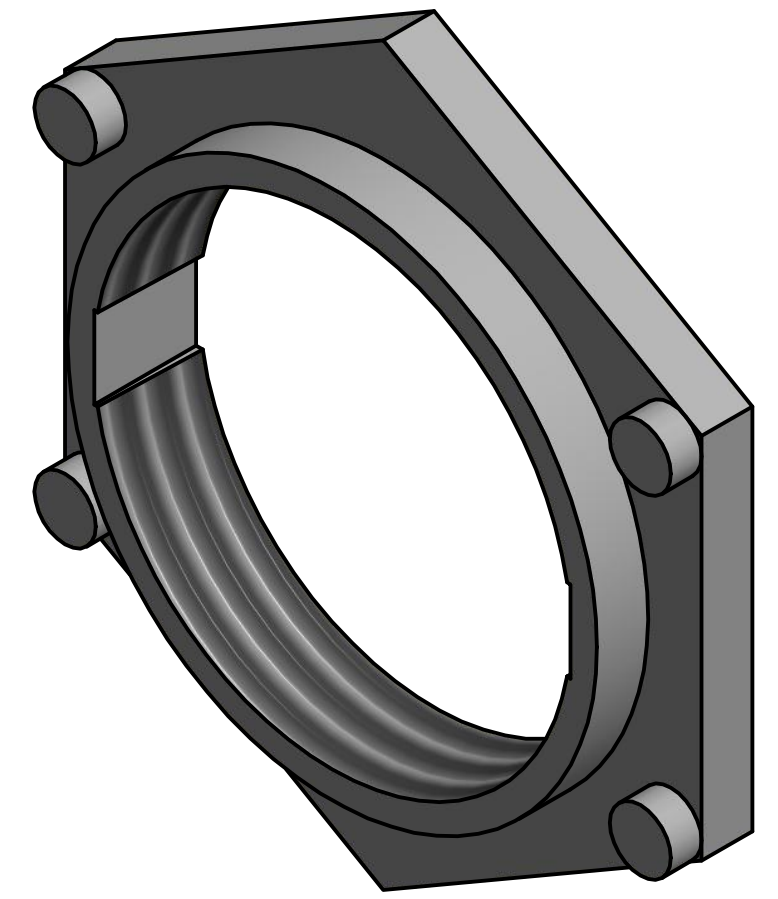
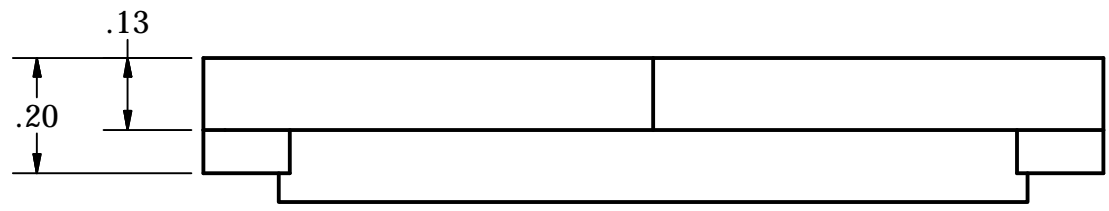
Ø1.56
Ø1.32



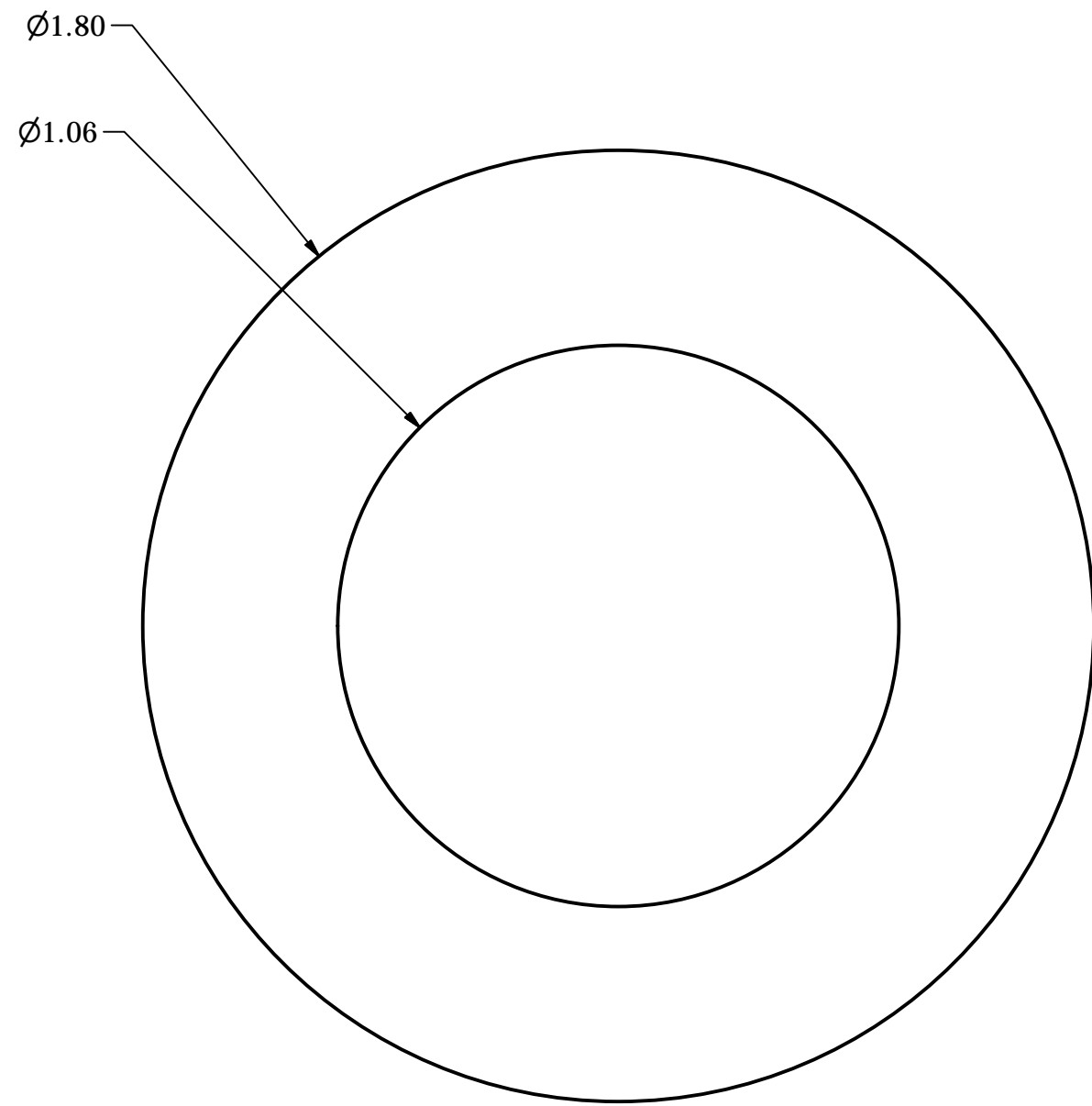
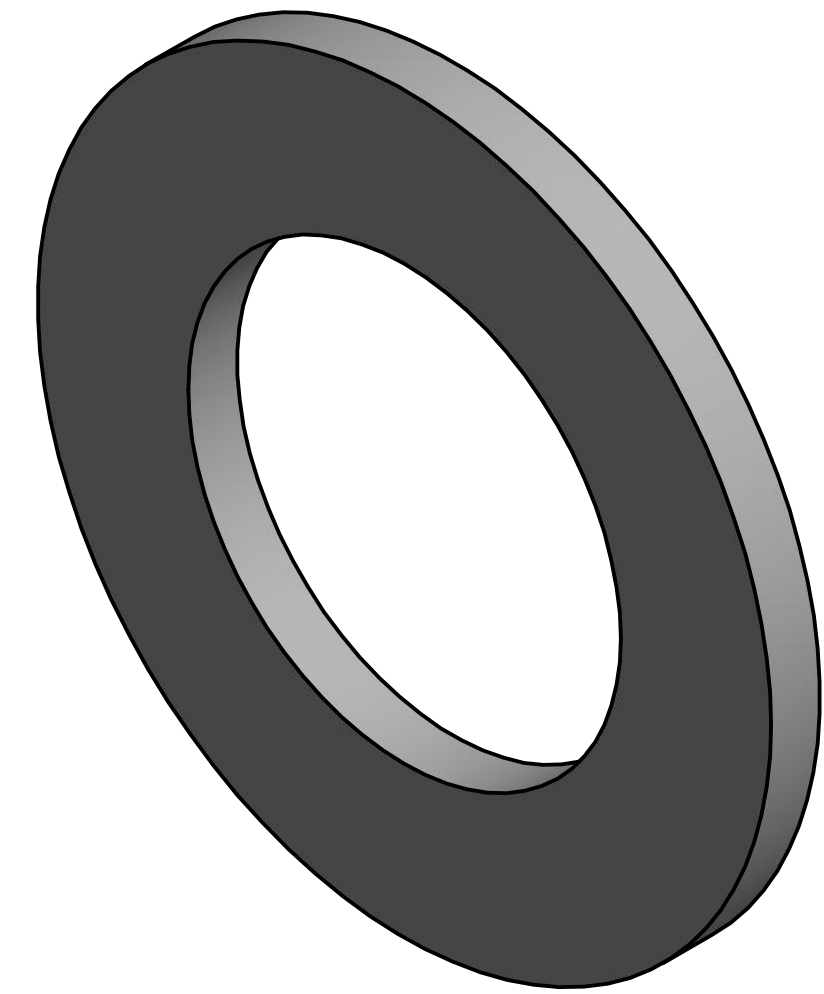
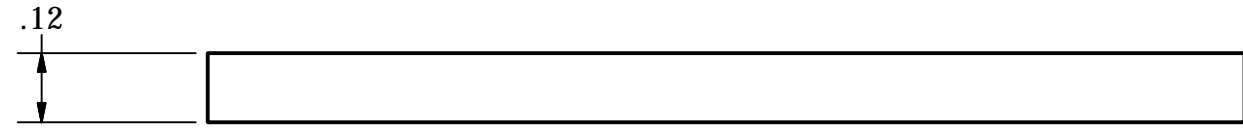
1-11.5 NPT



DRAWN JOSEPH VALENTI		9/1/2014		LAMBRO INDUSTRIES, INC.	
CHECKED				TITLE	
QA				FITTING	
MFG					
APPROVED					
		SIZE	DWG NO	REV	
		C	FITTING		
		SCALE	SHEET 1 OF 1		



DRAWN JOSEPH VALENTI		9/1/2014		LAMBRO INDUSTRIES, INC.	
CHECKED				TITLE	
QA				LOCK NUT	
MFG				SIZE C	
APPROVED				DWG NO NUT	
		SCALE		REV	
				SHEET 1 OF 1	



DRAWN	JOSEPH VALENTI	9/1/2014	LAMBRO INDUSTRIES, INC.		
CHECKED			TITLE		
QA			RUBBER SEAL		
MFG			SIZE	DWG NO	REV
APPROVED			C	SEAL	
			SCALE	SHEET 1 OF 1	