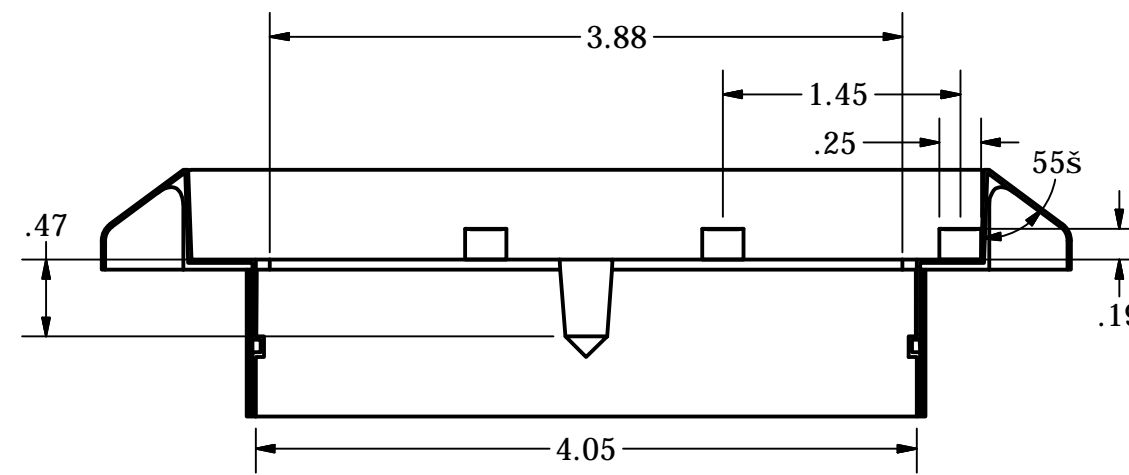
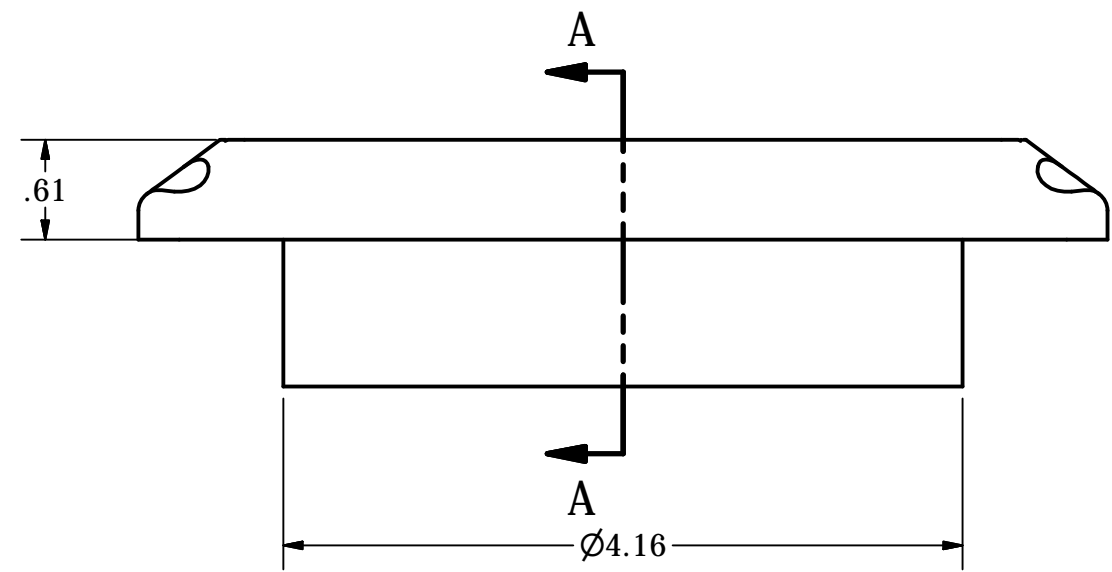
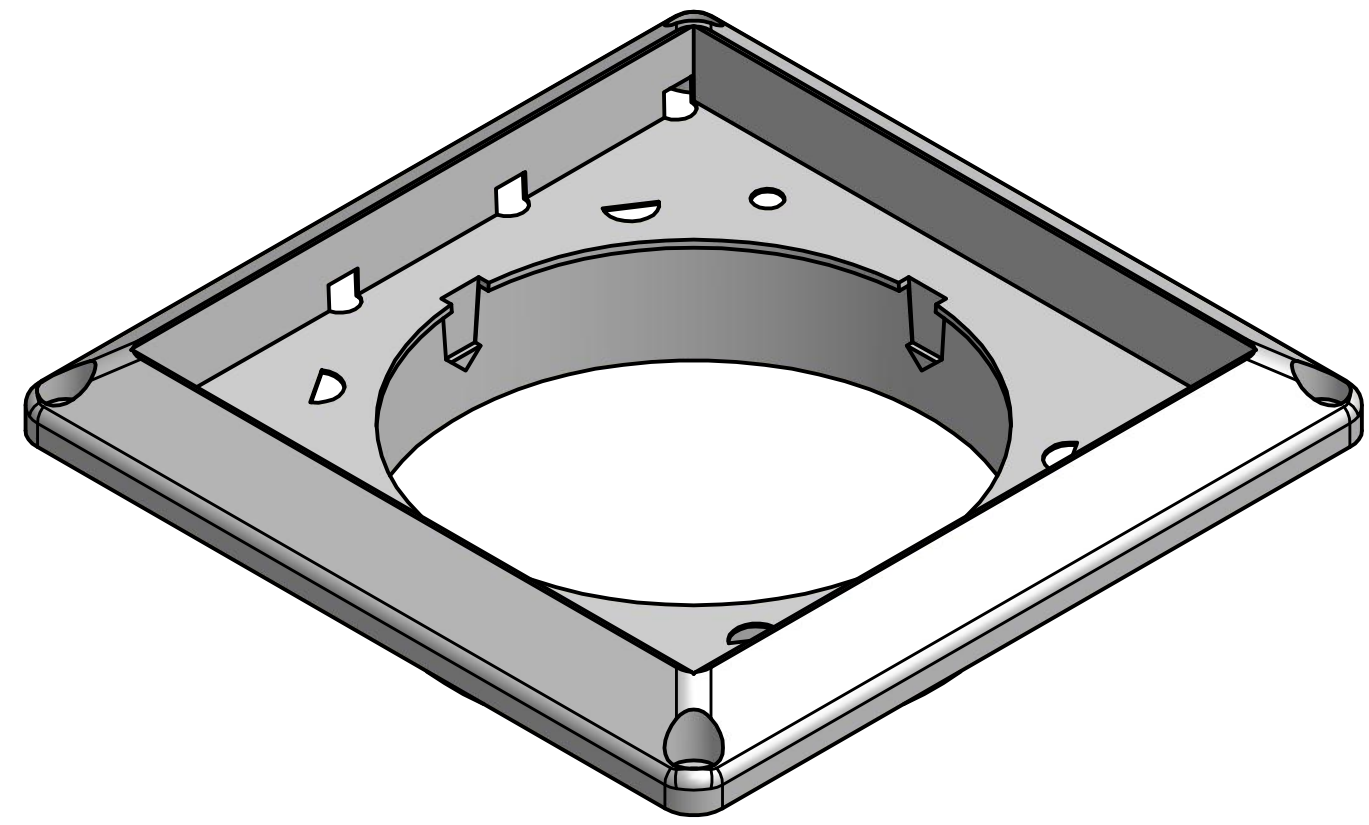
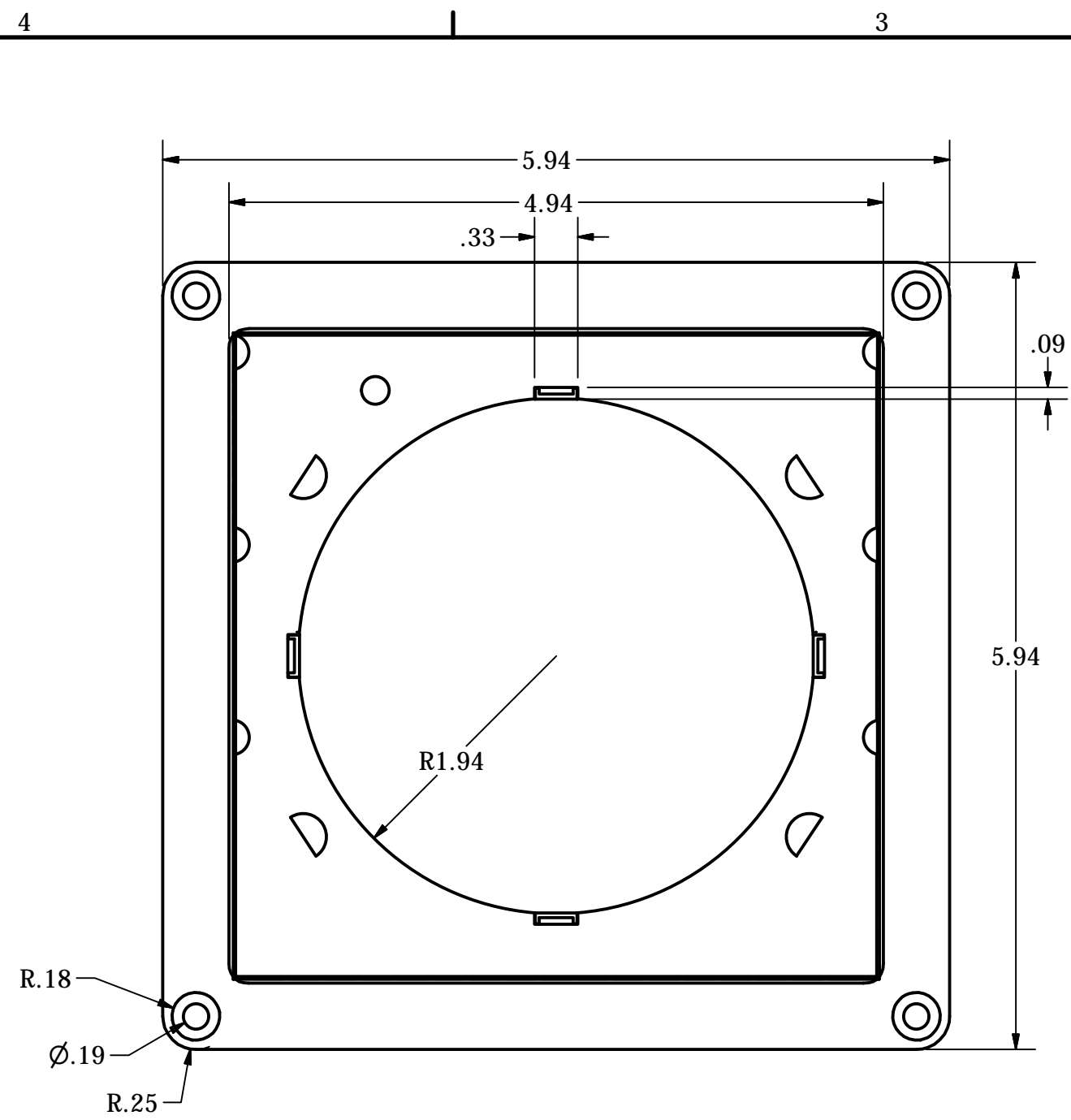
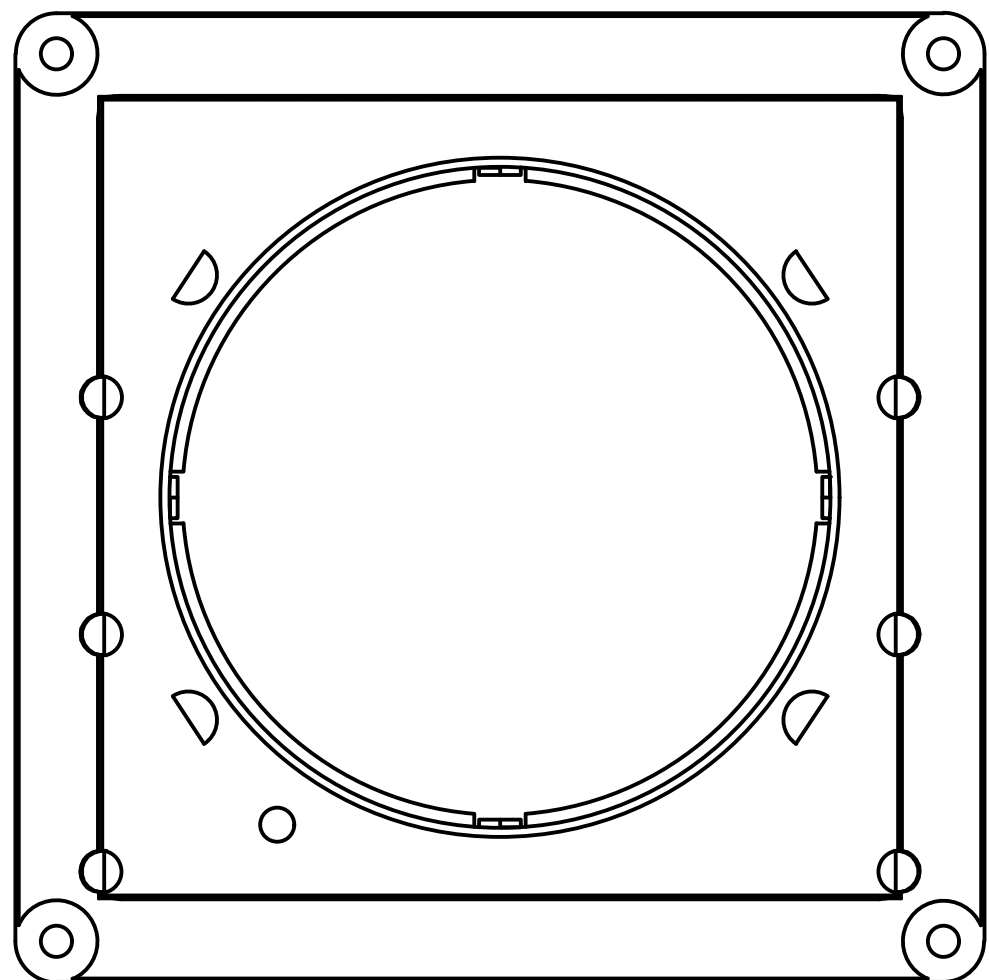


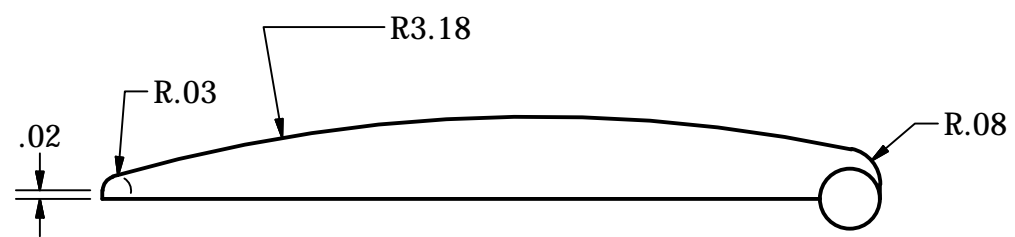
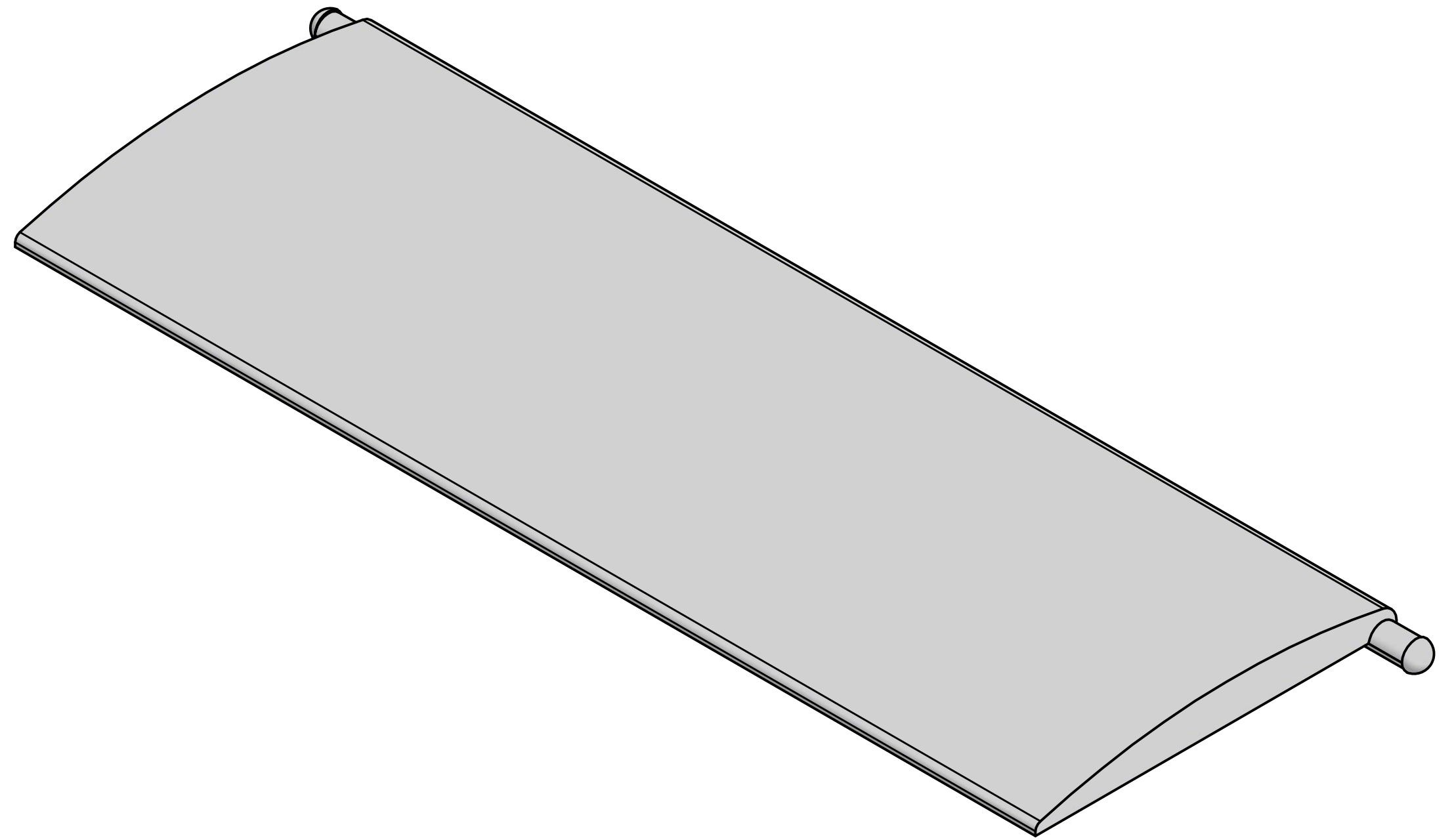
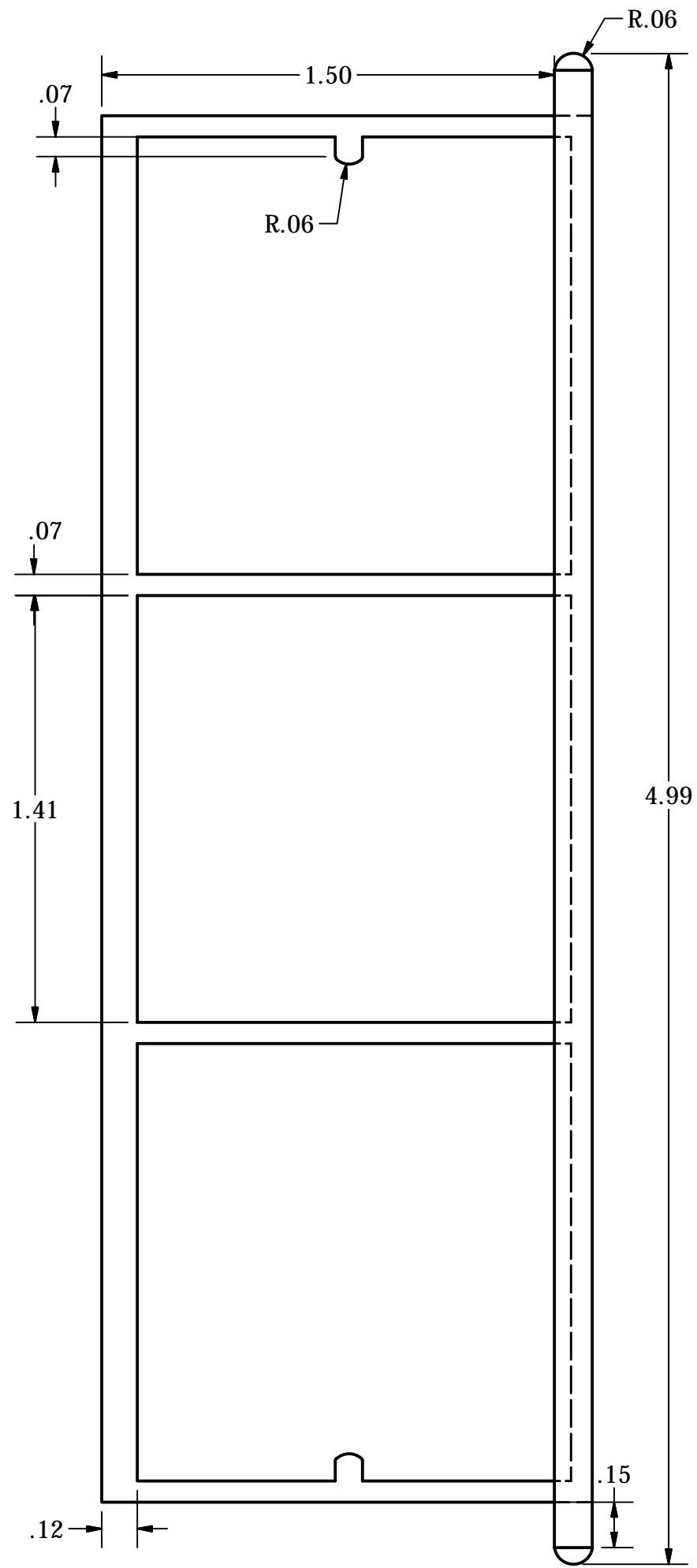
DRAWN GEORGE AWAD	5/21/2013	LAMBRO		
CHECKED		TITLE		
QA		4" Louvered Vent w/ Tail Pipe		
MFG		SIZE	DWG NO	REV
APPROVED		C	267W	
		SCALE	SHEET 1 OF 1	



SECTION A-A
SCALE .85 : 1



DRAWN GEORGE AWAD	5/20/2013	LAMBRO		
CHECKED		TITLE		
QA		4" Louvered Vent - Base		
MFG		SIZE C	DWG NO 01423WA01	REV
APPROVED		SCALE	SHEET 1 OF 1	



DRAWN GEORGE AWAD	5/20/2013	LAMBRO		
CHECKED		TITLE		
QA		4" Louvered Vent - Flaps		
MFG		SIZE	DWG NO	REV
APPROVED		C	01423WA02	
		SCALE	SHEET 1 OF 1	