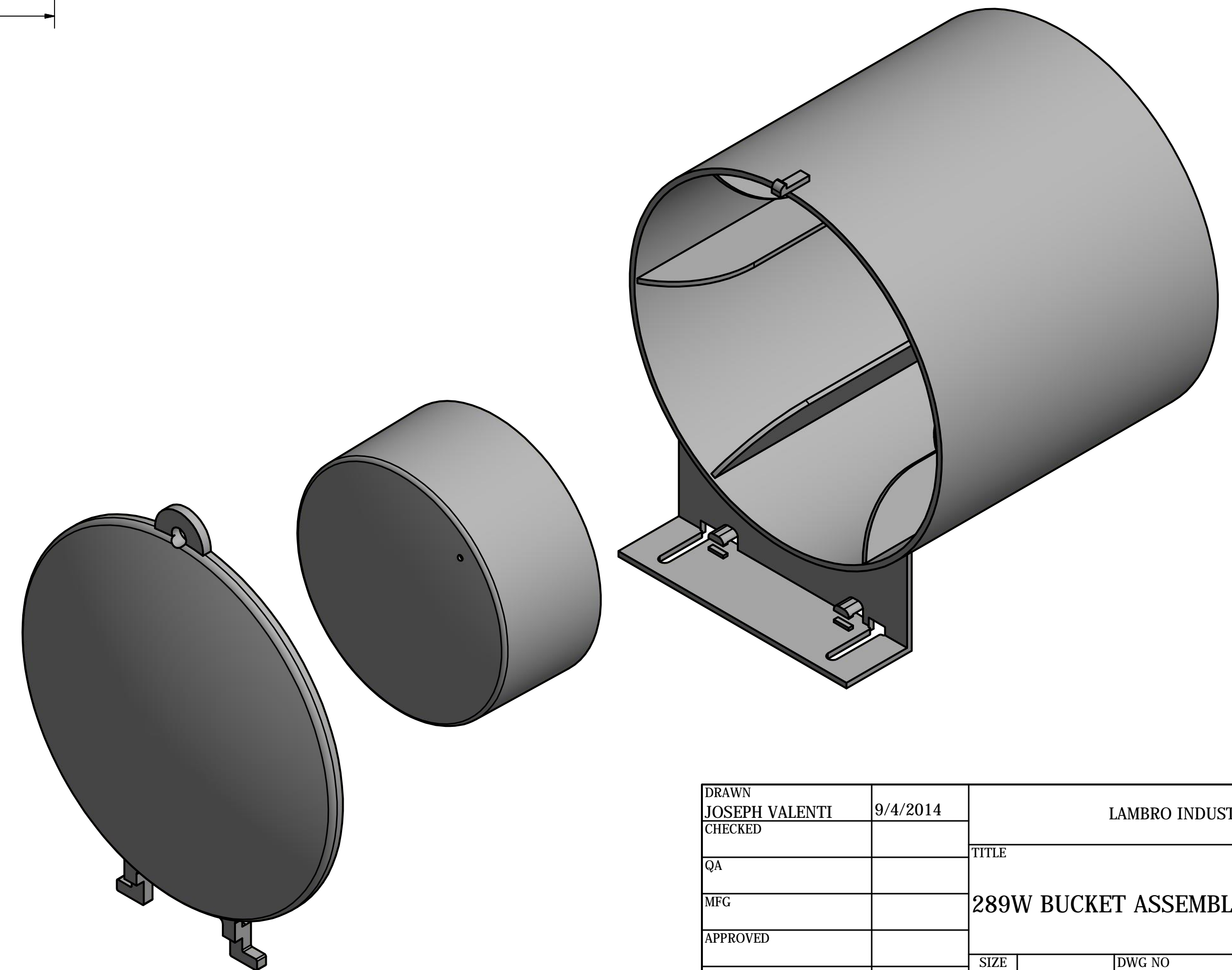
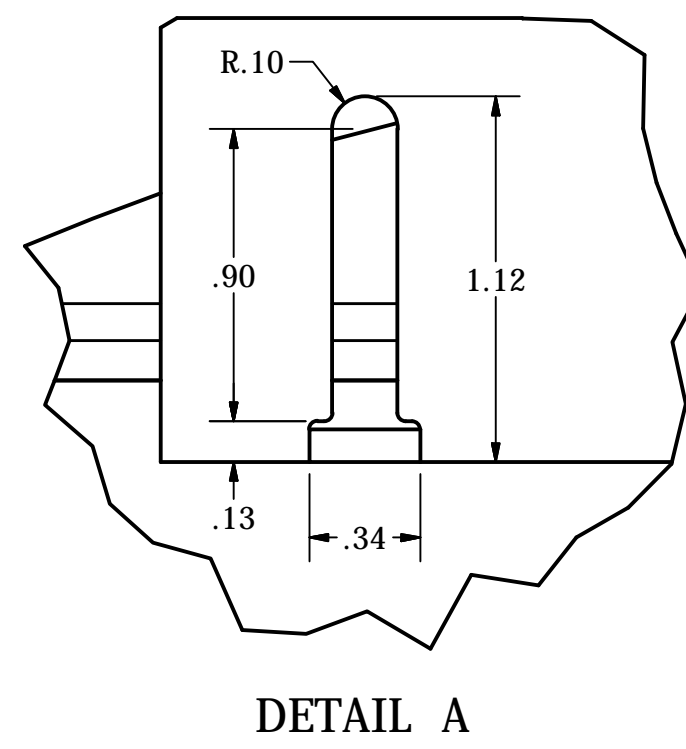
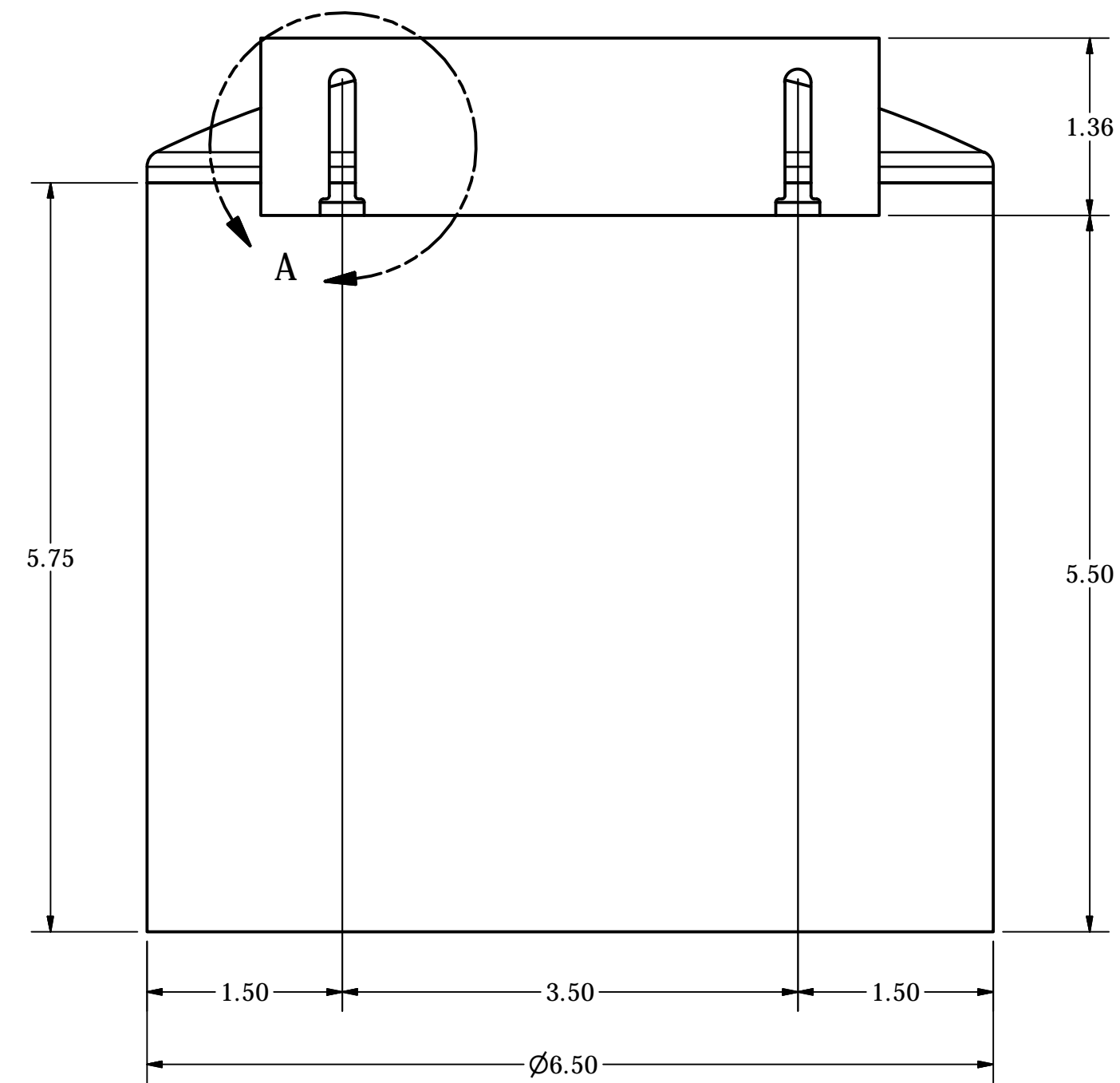
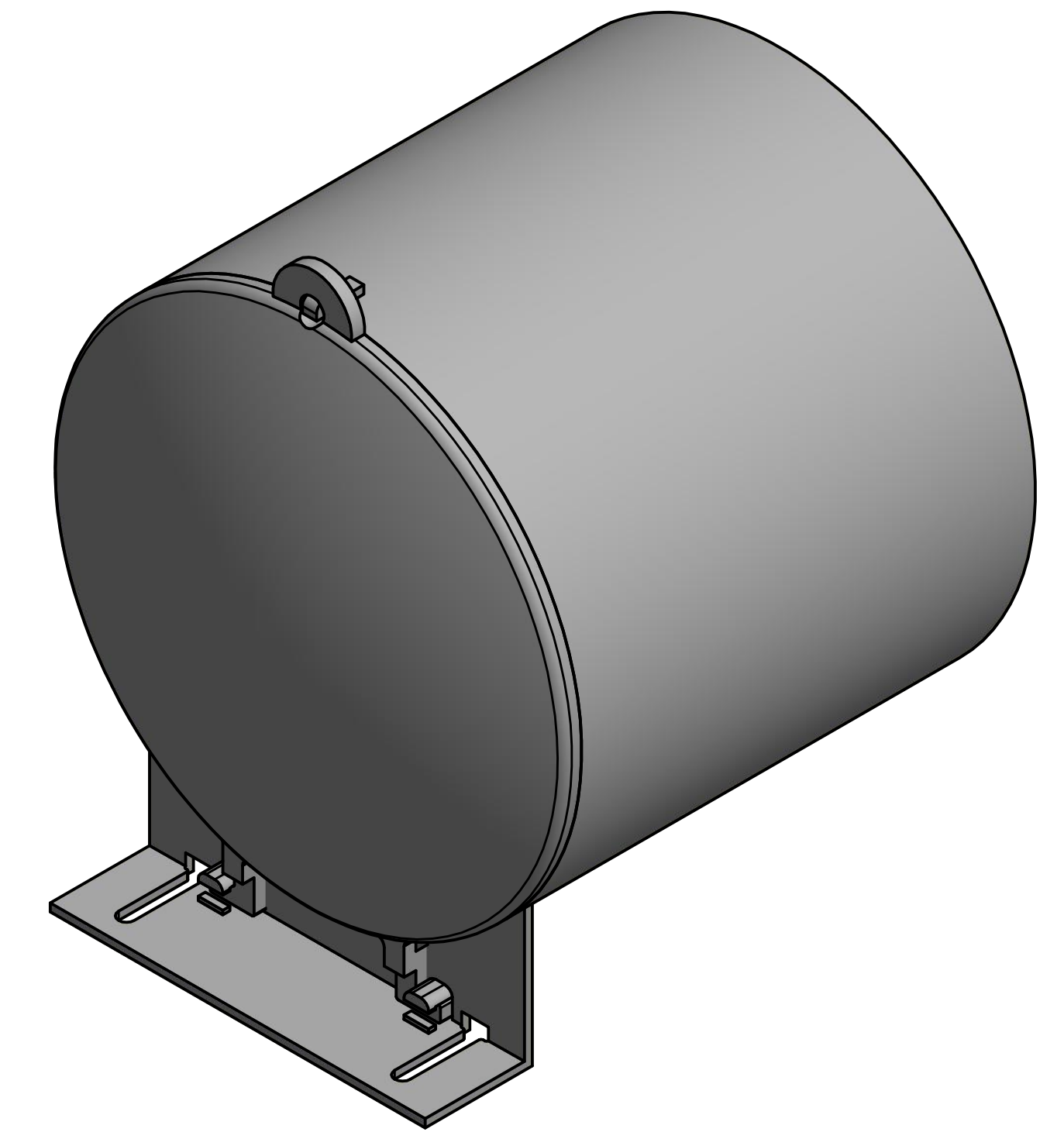
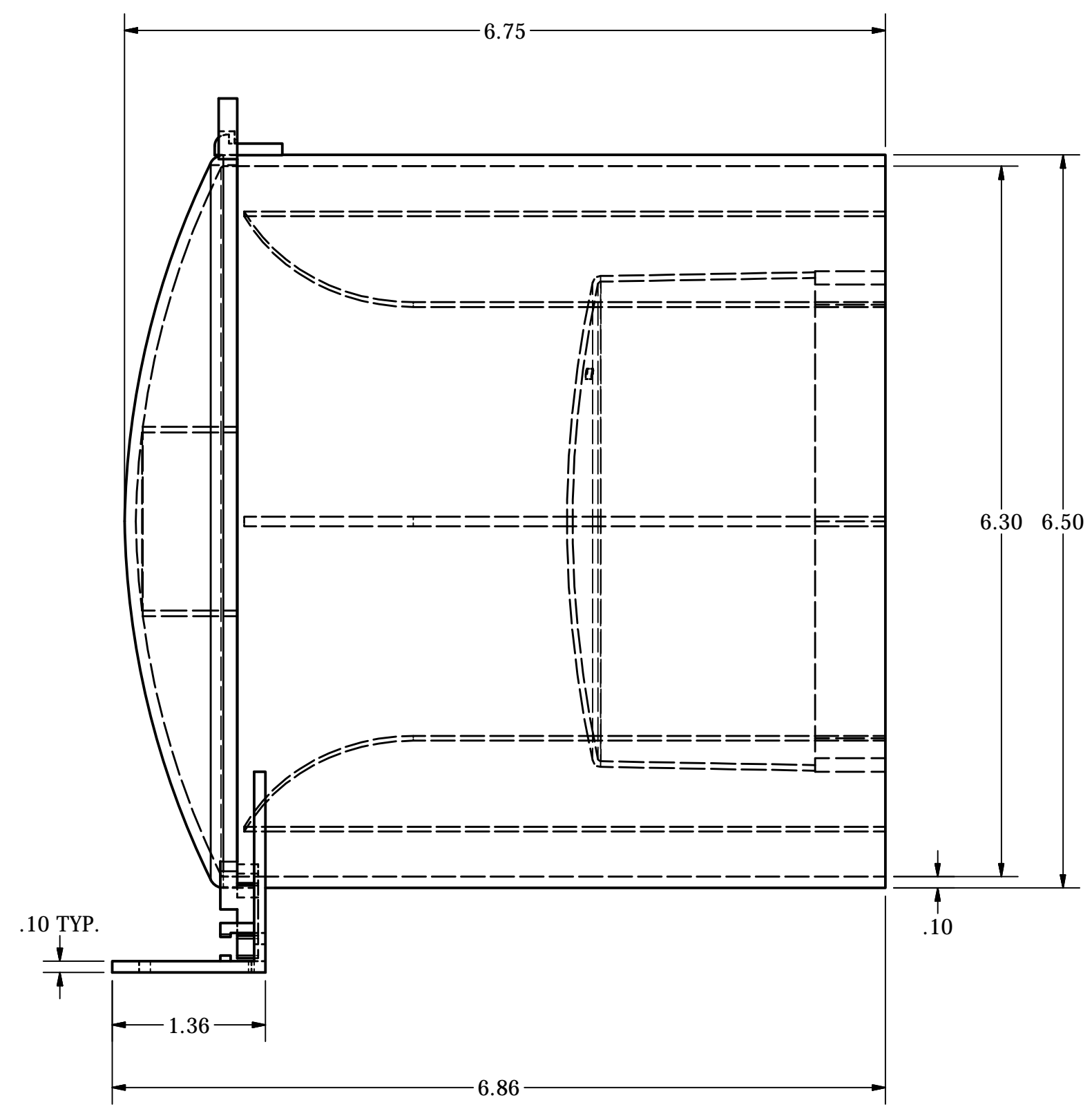
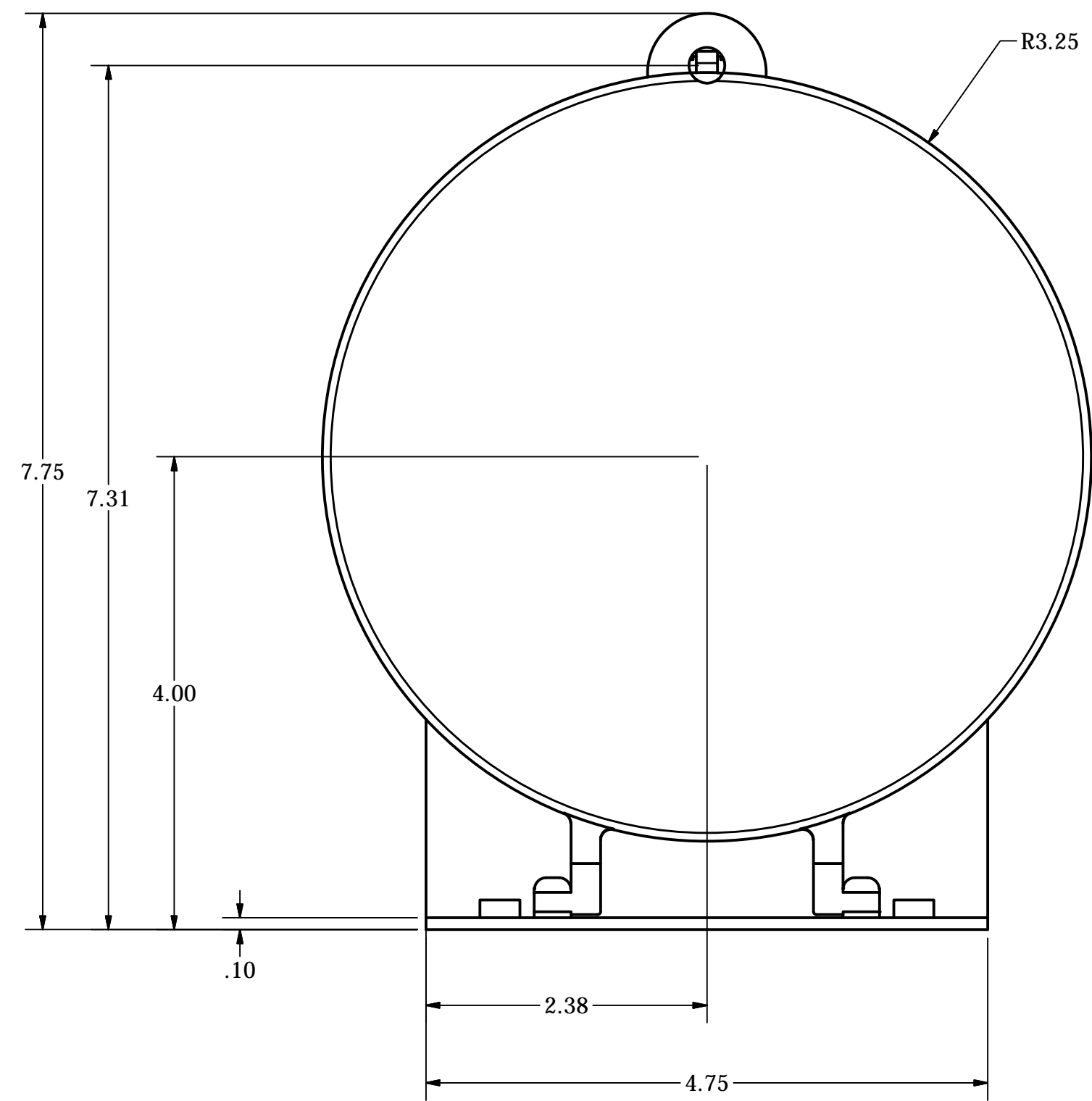
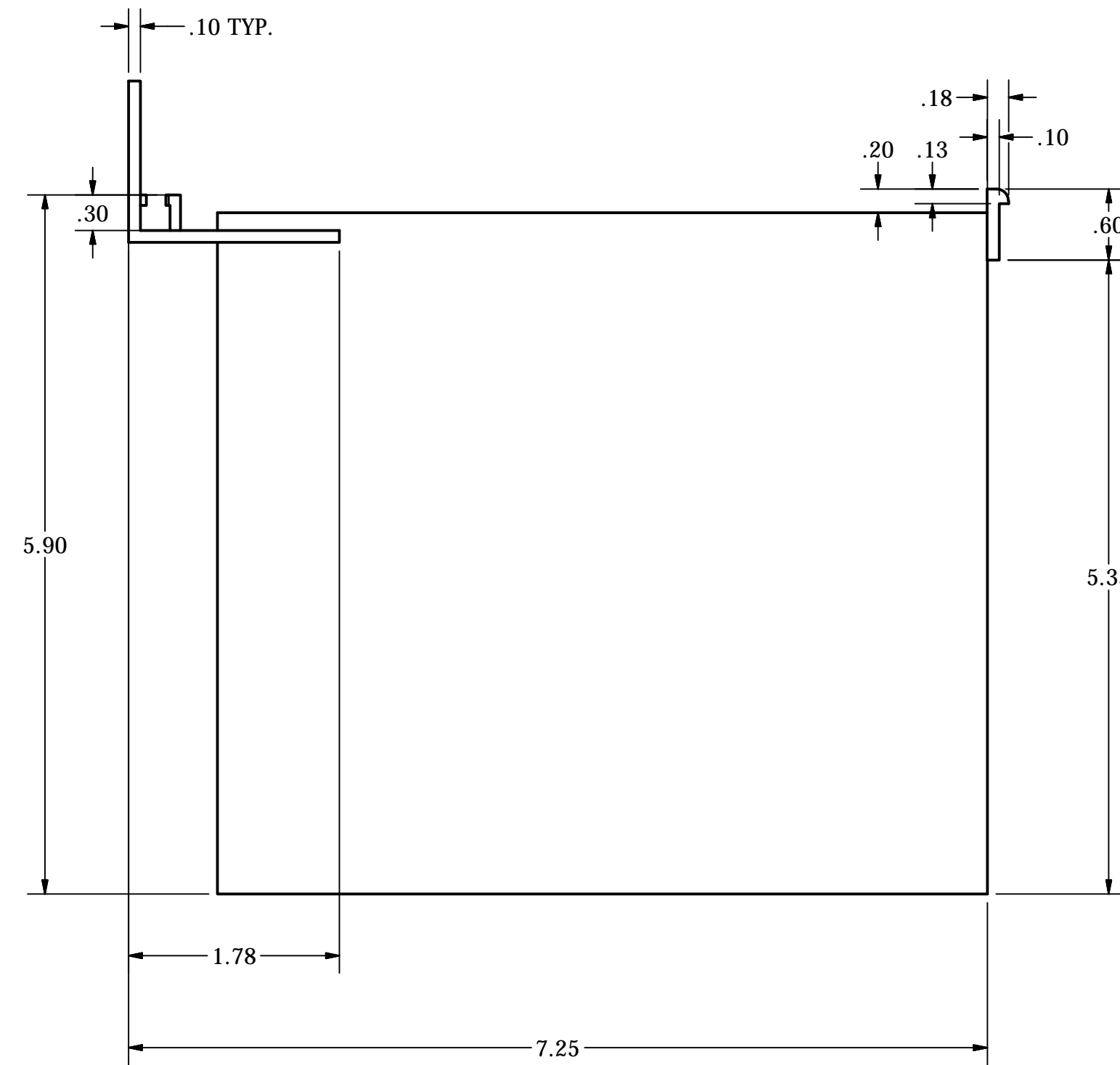
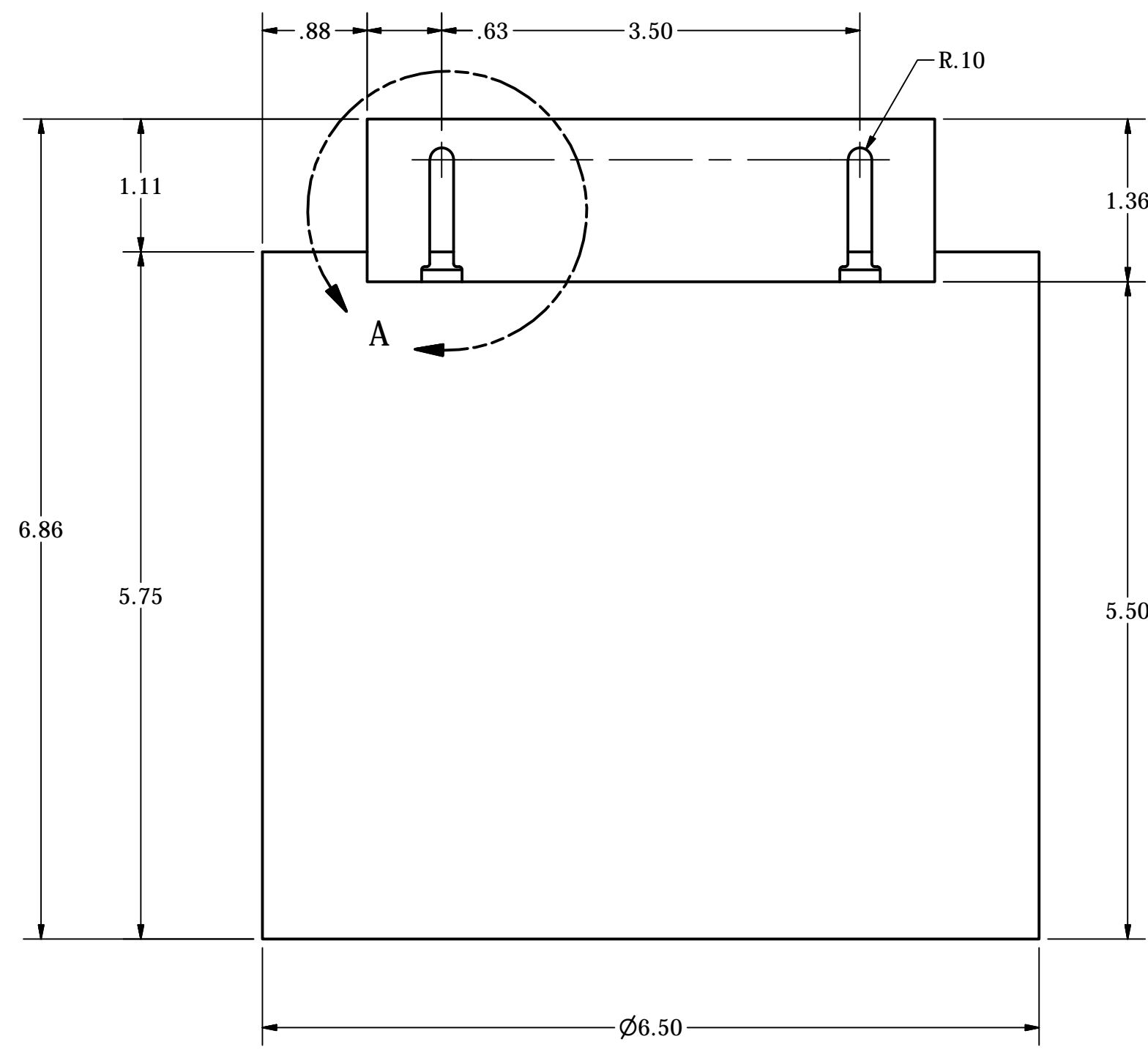
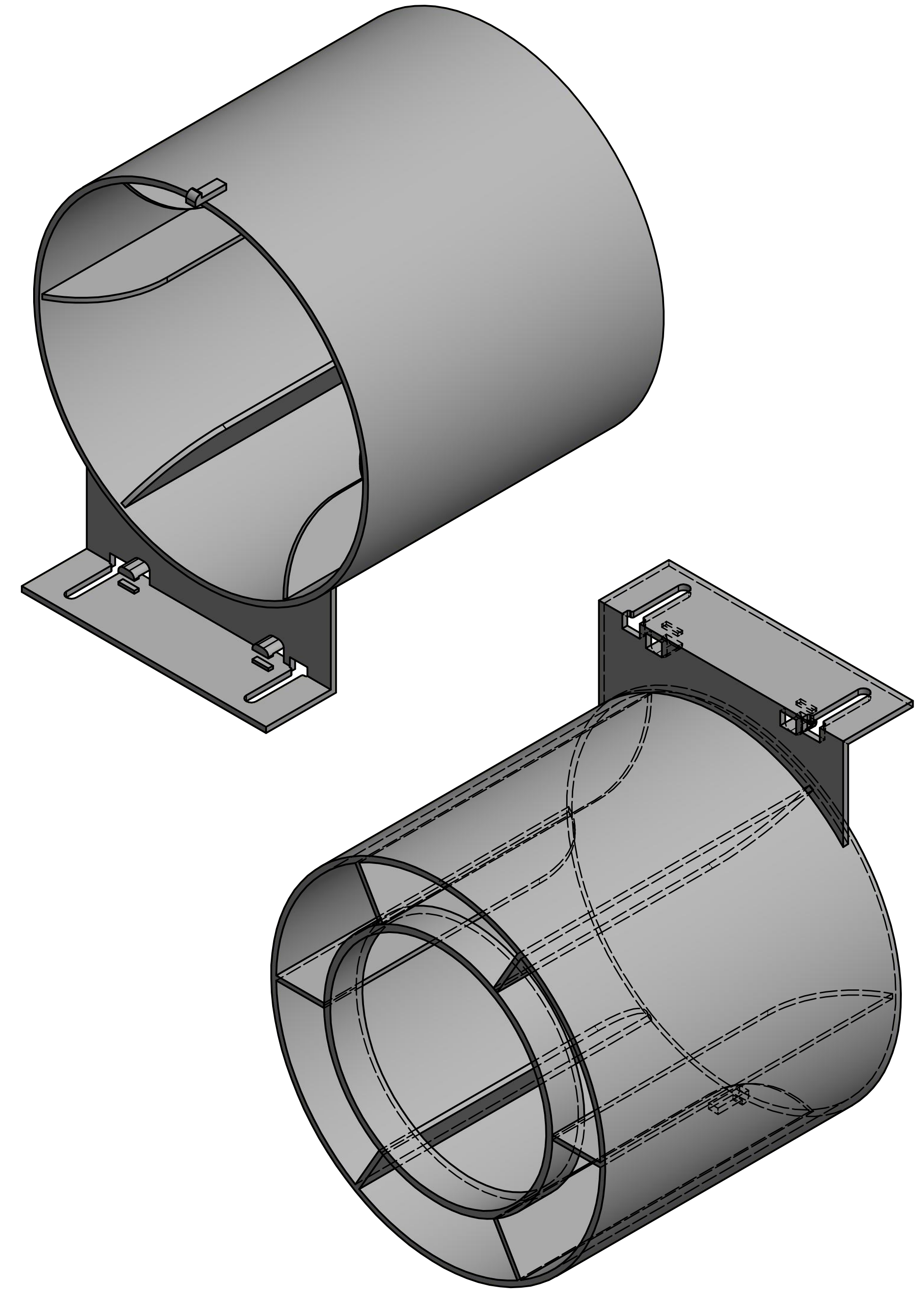
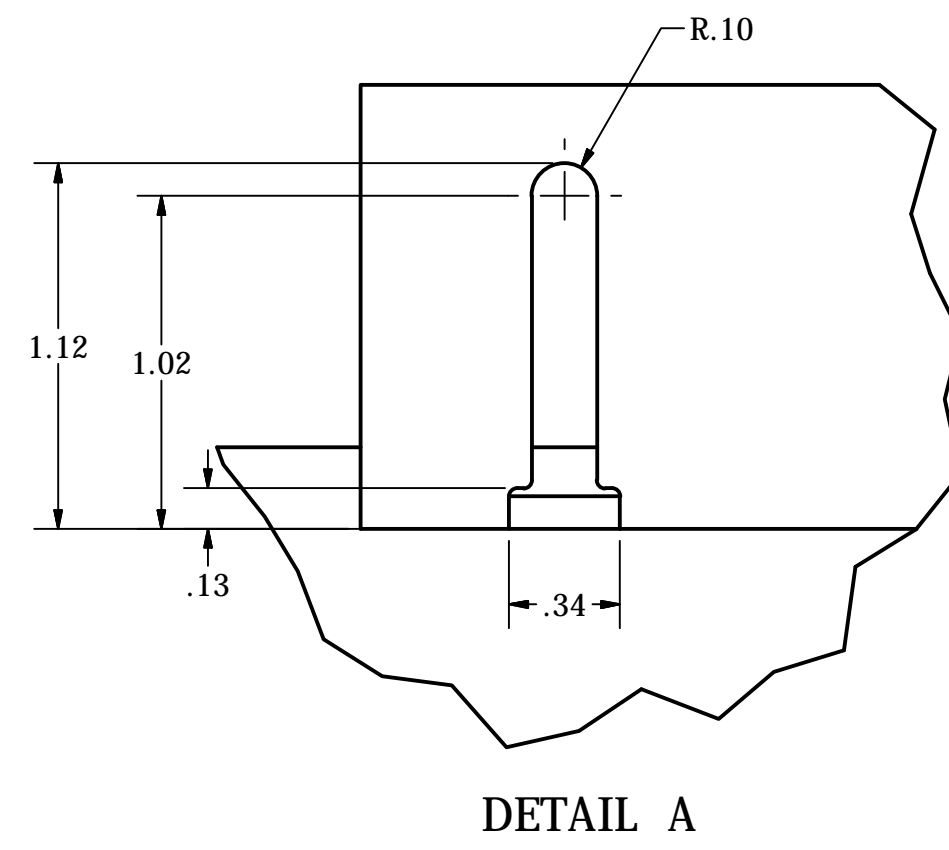
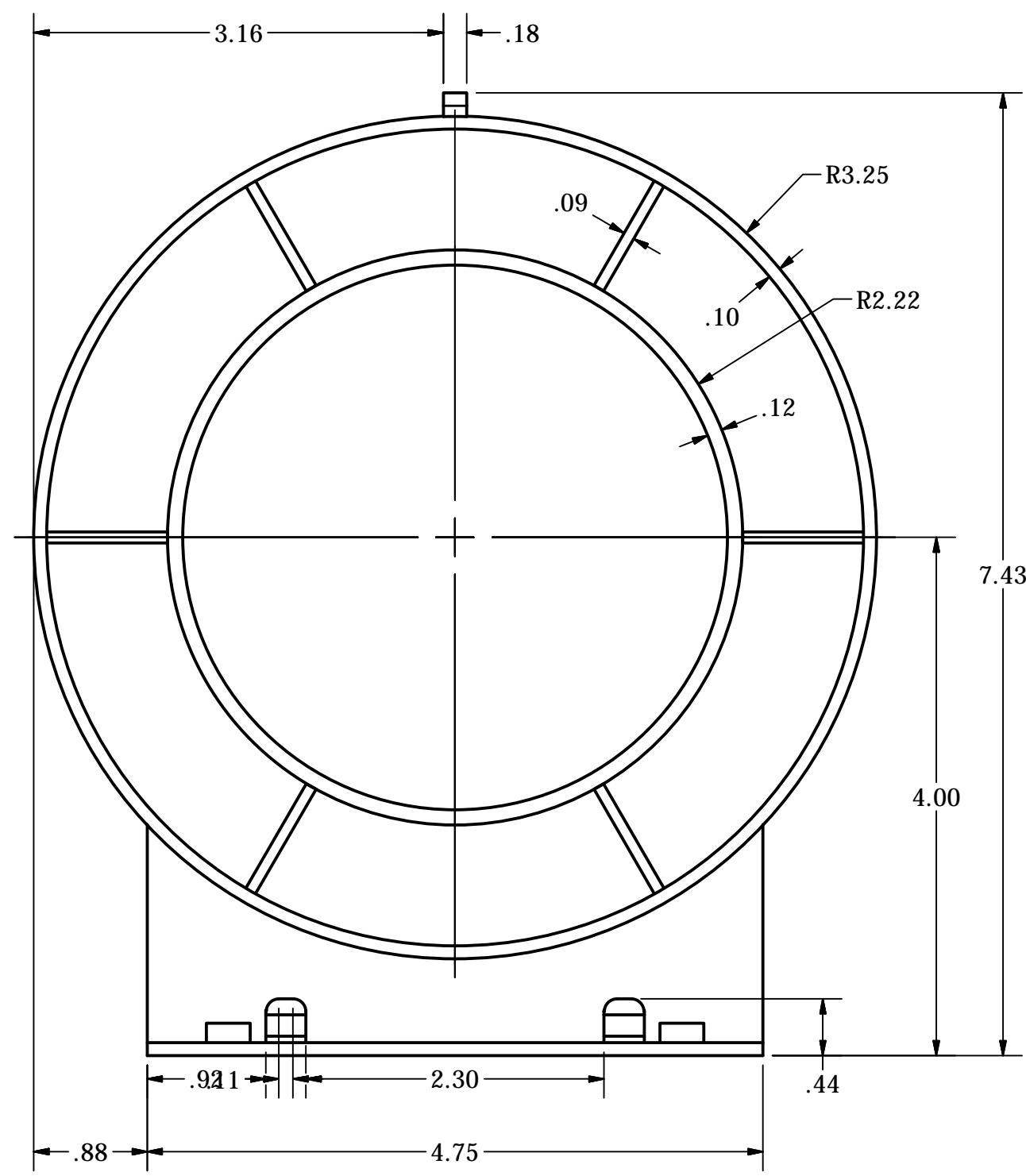


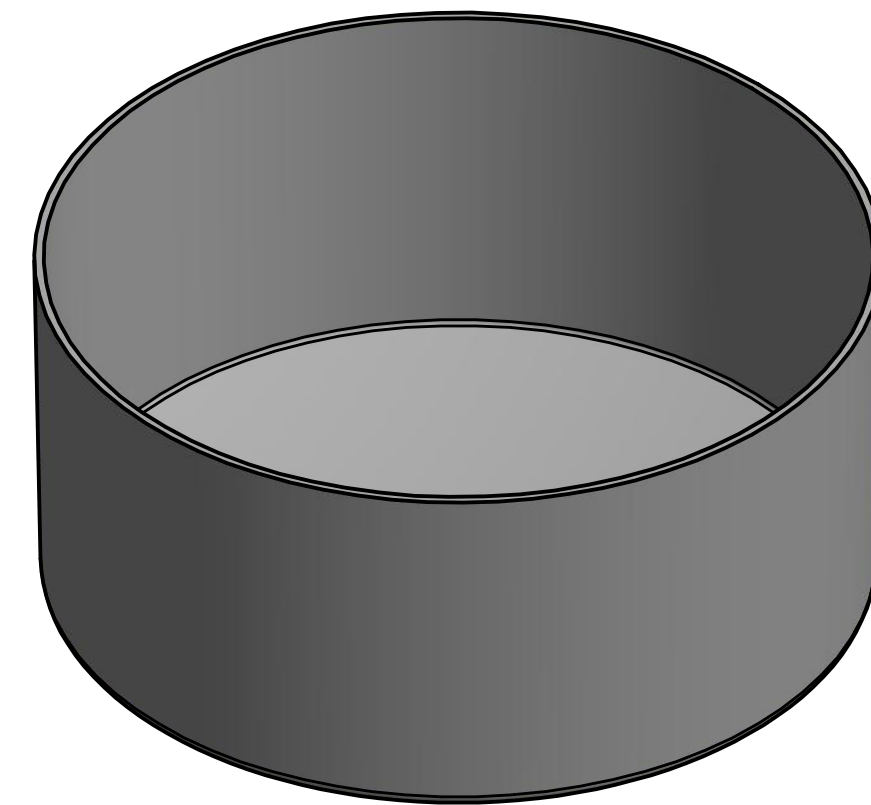
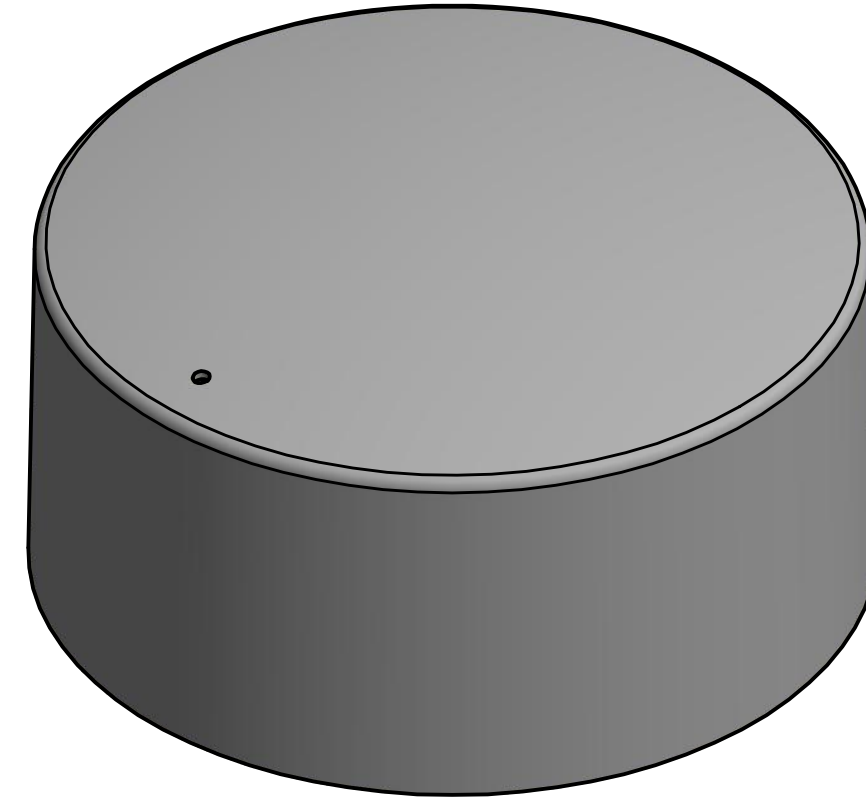
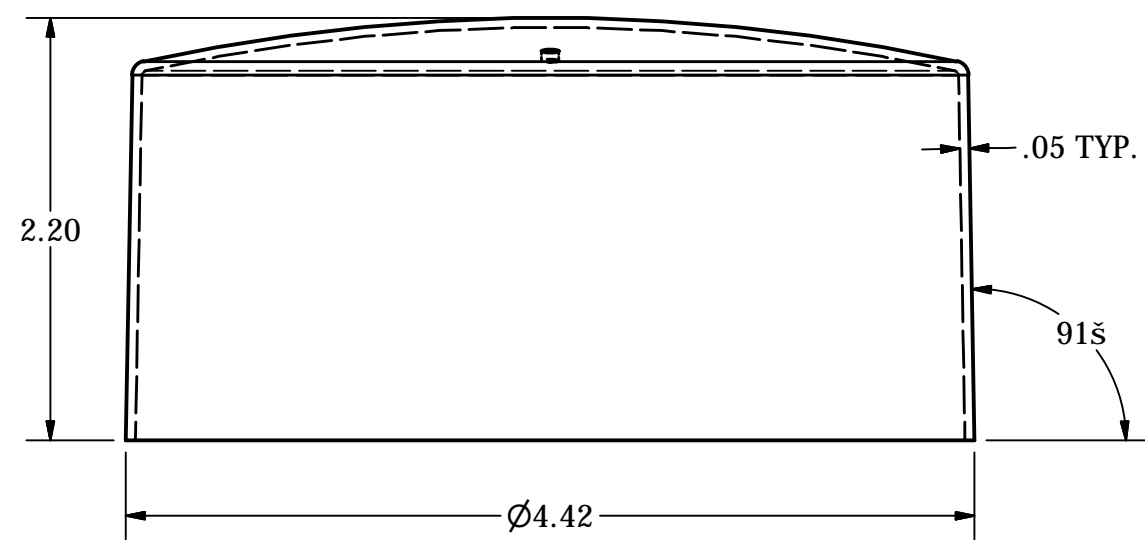
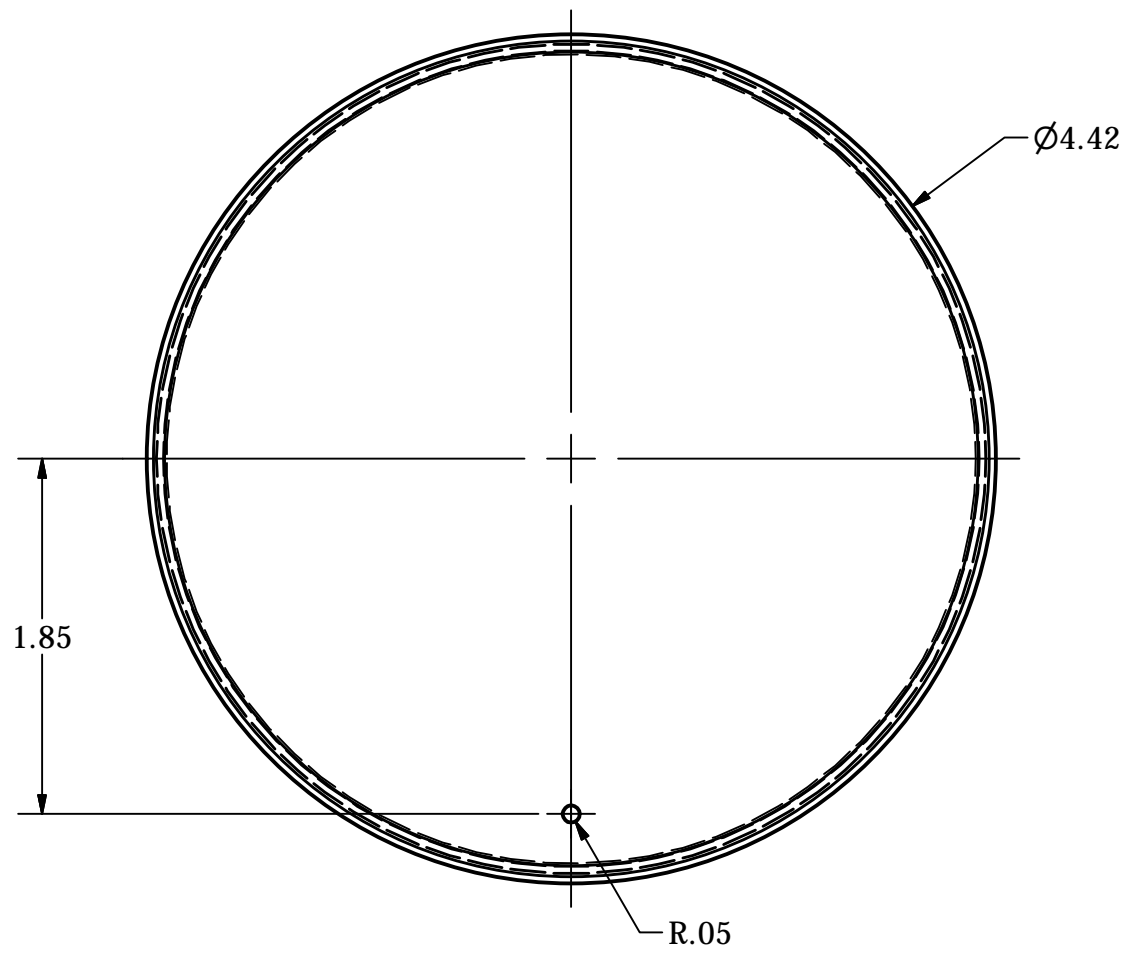
DRAWN	JOSEPH VALENTI	9/4/2014	LAMBRO INDUSTRIES, INC.		
CHECKED			TITLE		
QA			4IN DRYER VENT SEAL ASSEMBLY		
MFG			SIZE	DWG NO	REV
APPROVED			D	289W	
			SCALE		SHEET 1 OF 1



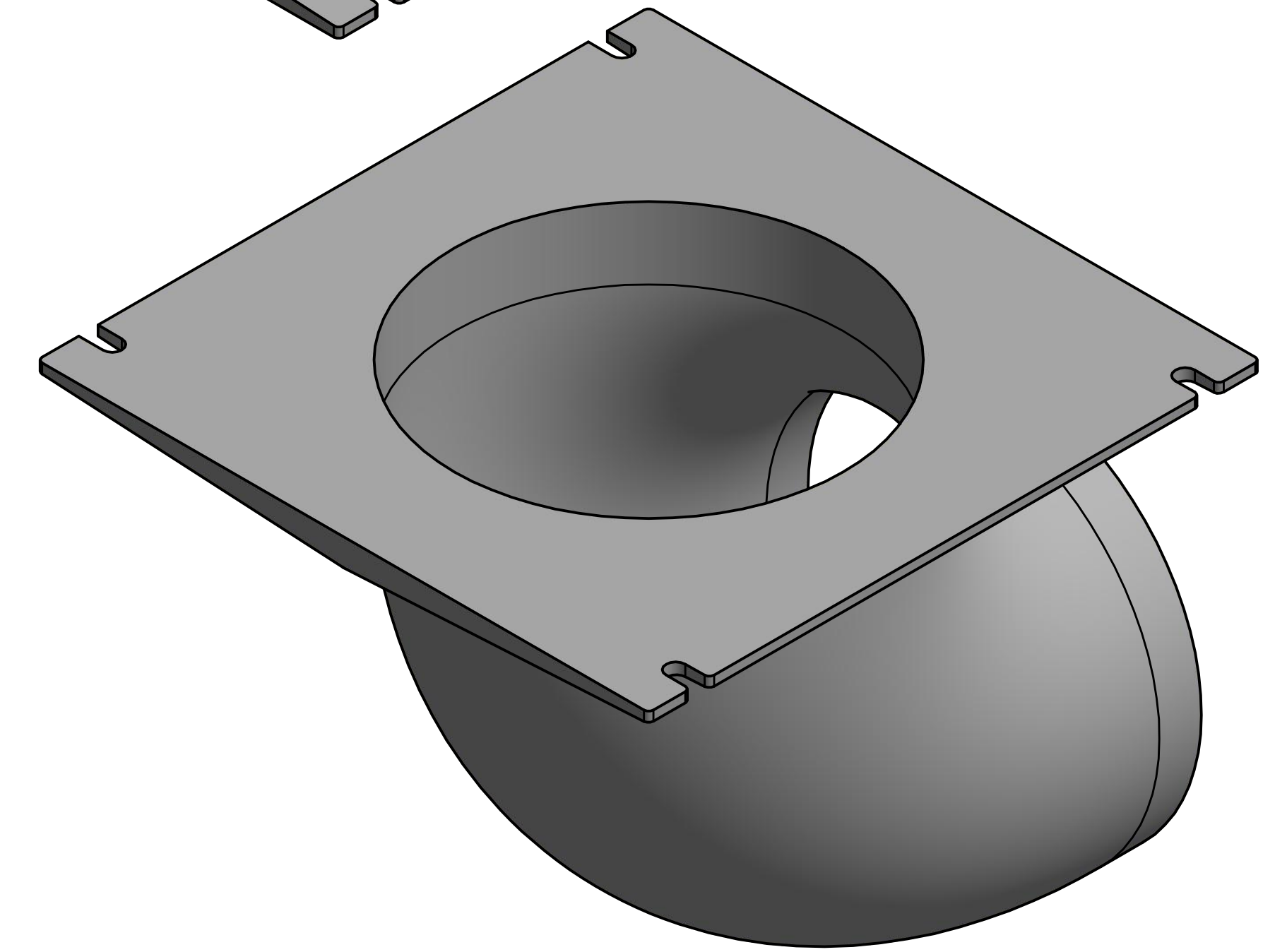
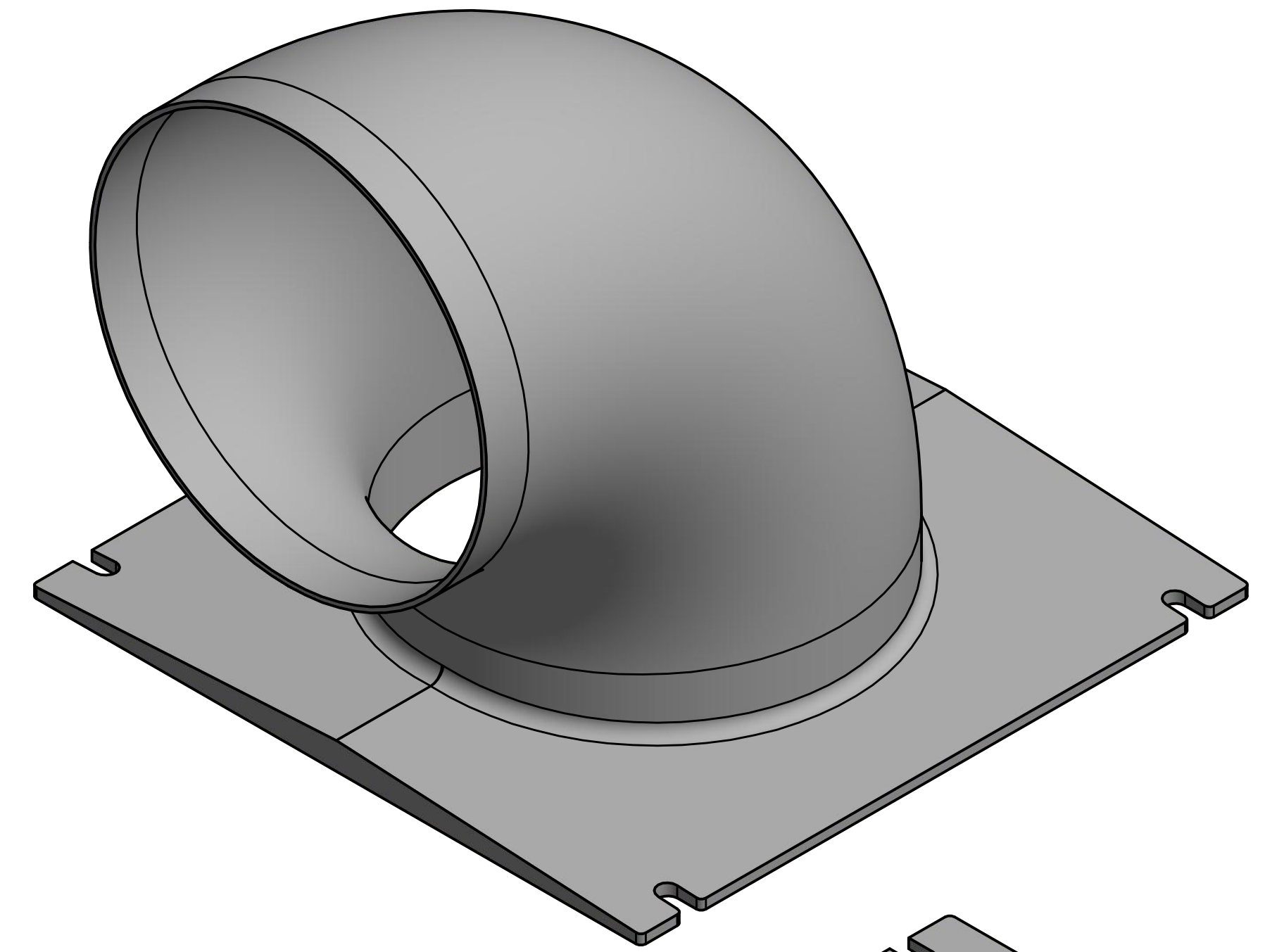
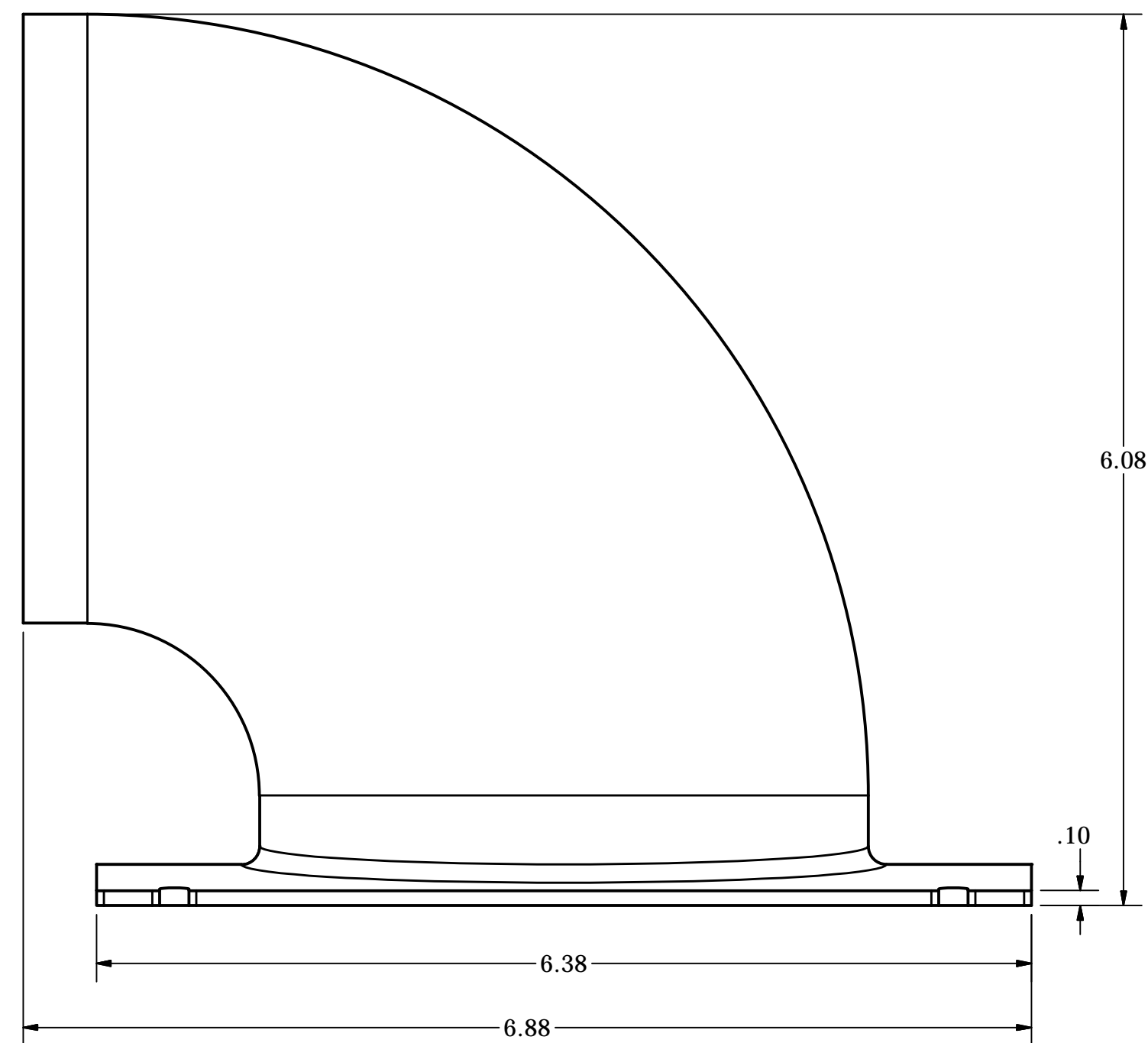
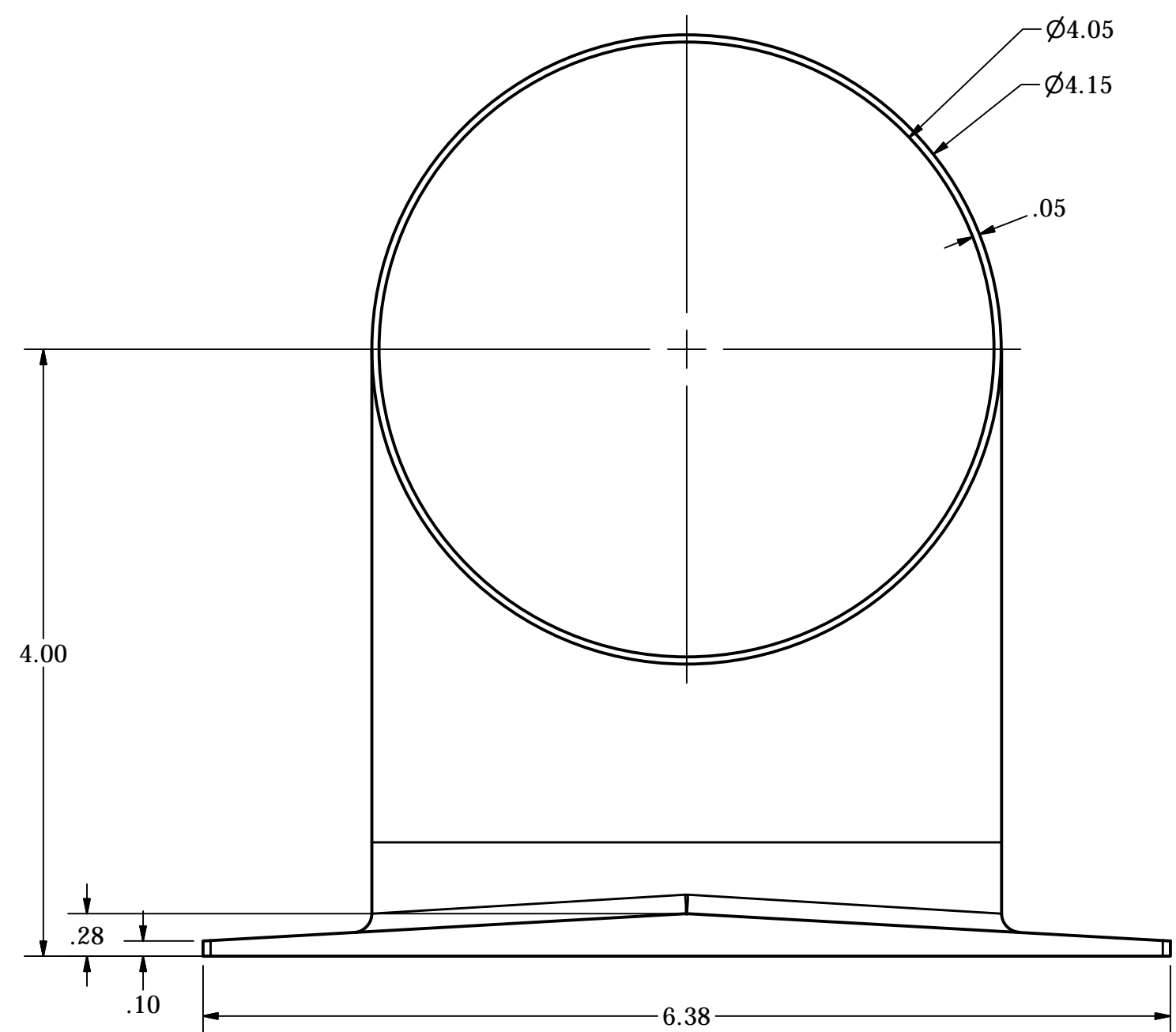
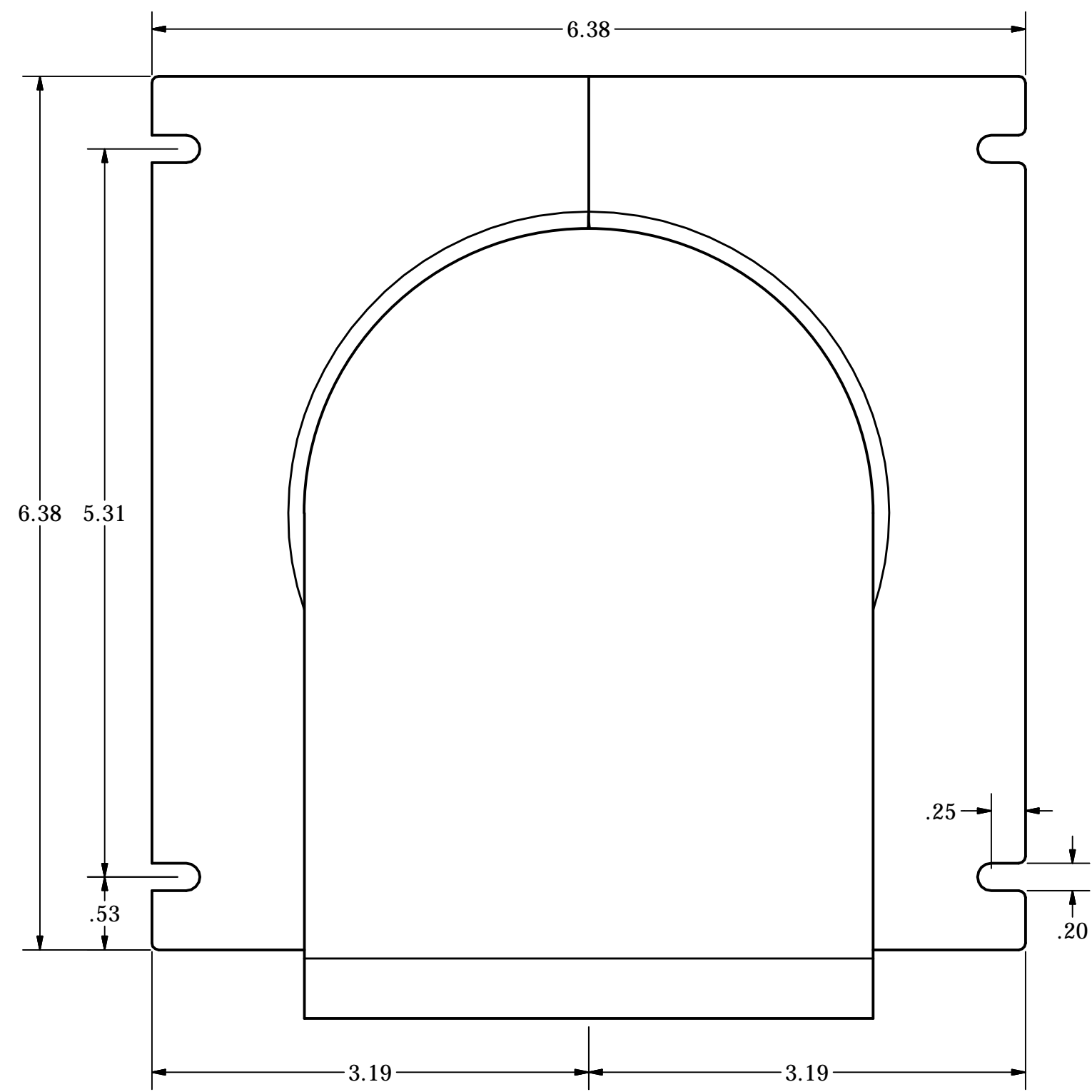
DRAWN	JOSEPH VALENTI	9/4/2014	LAMBRO INDUSTRIES, INC.		
CHECKED			TITLE		
QA			289W BUCKET ASSEMBLY		
MFG			SIZE	DWG NO	REV
APPROVED			D	289W	
			SCALE		SHEET 1 OF 1



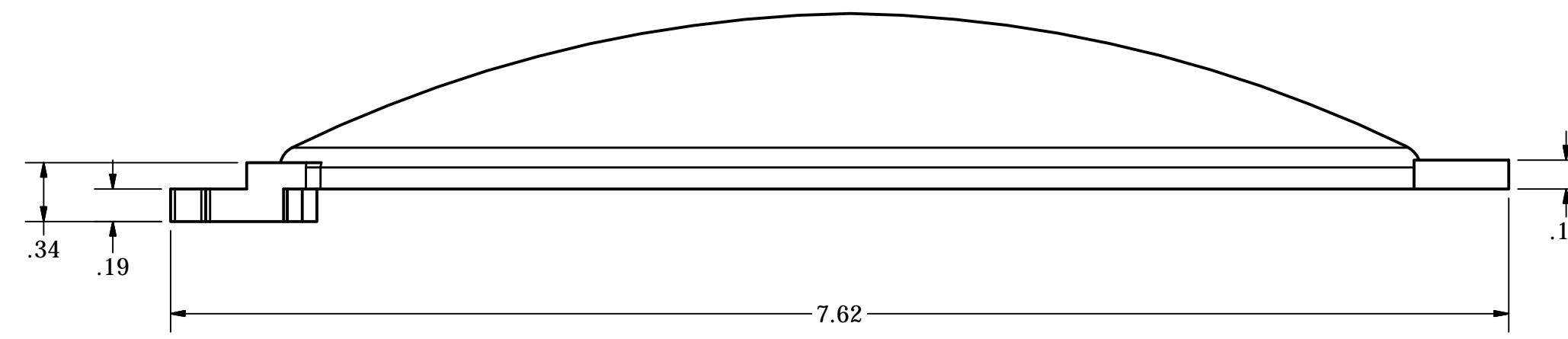
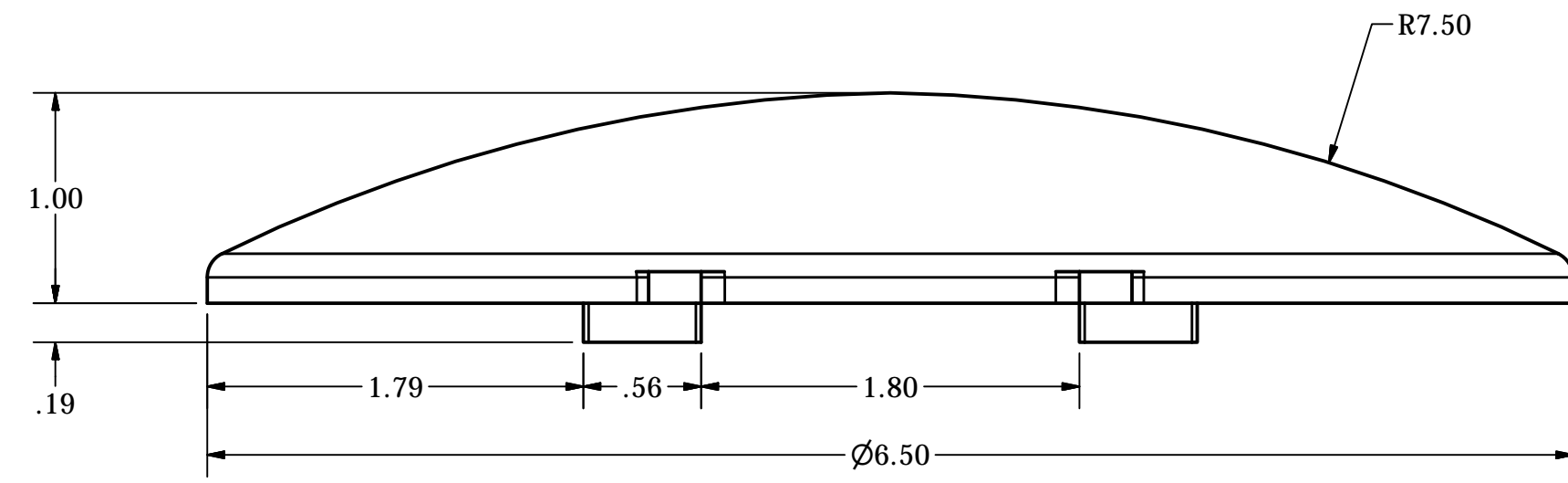
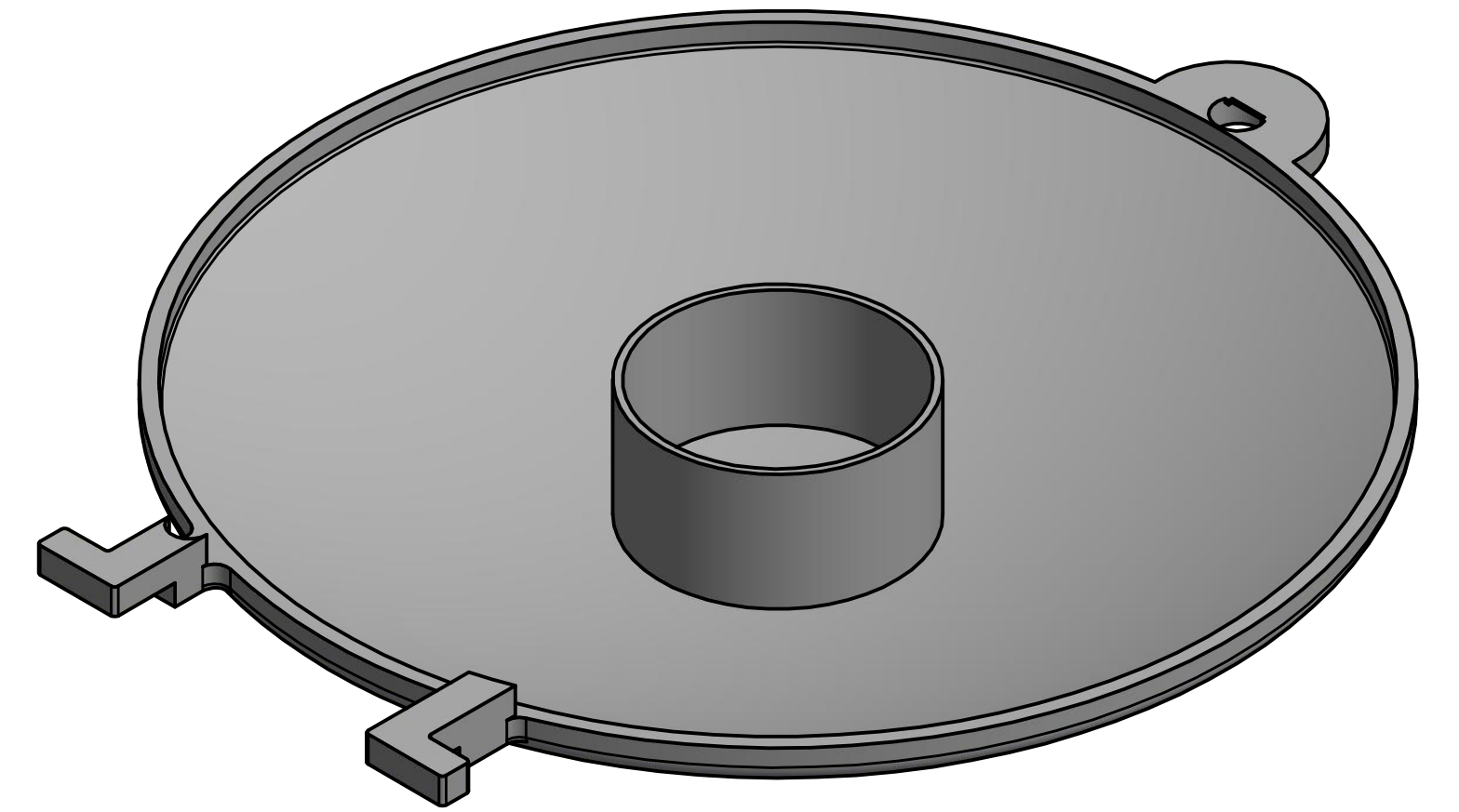
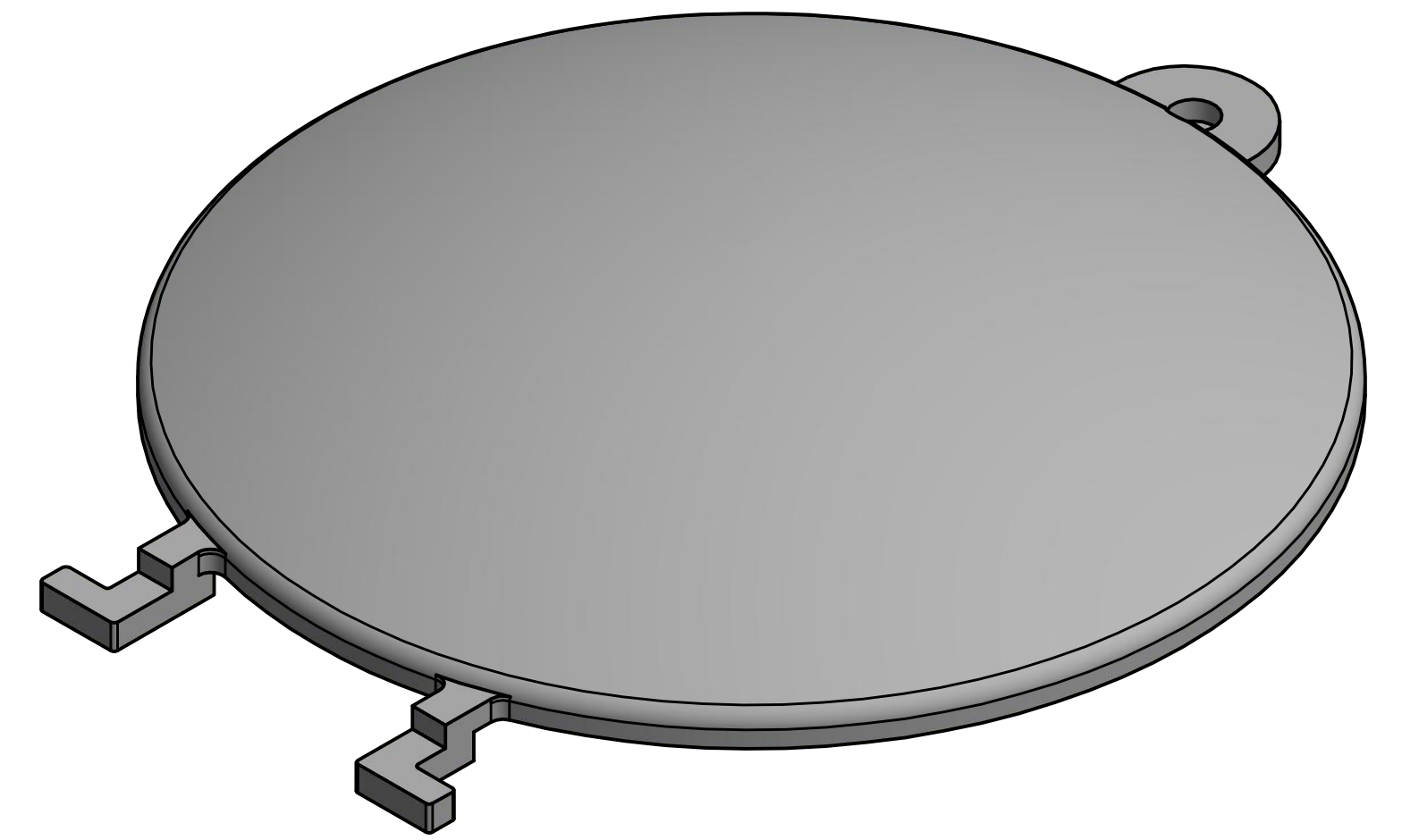
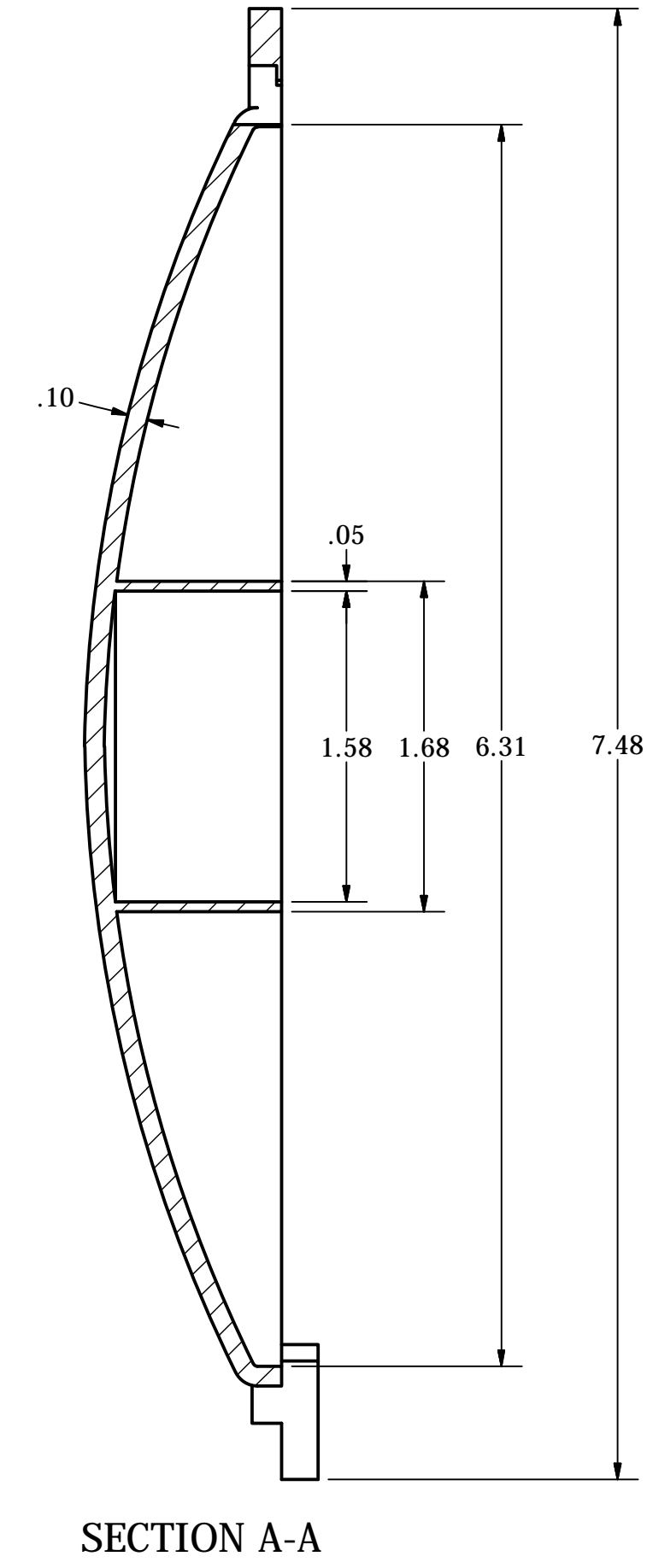
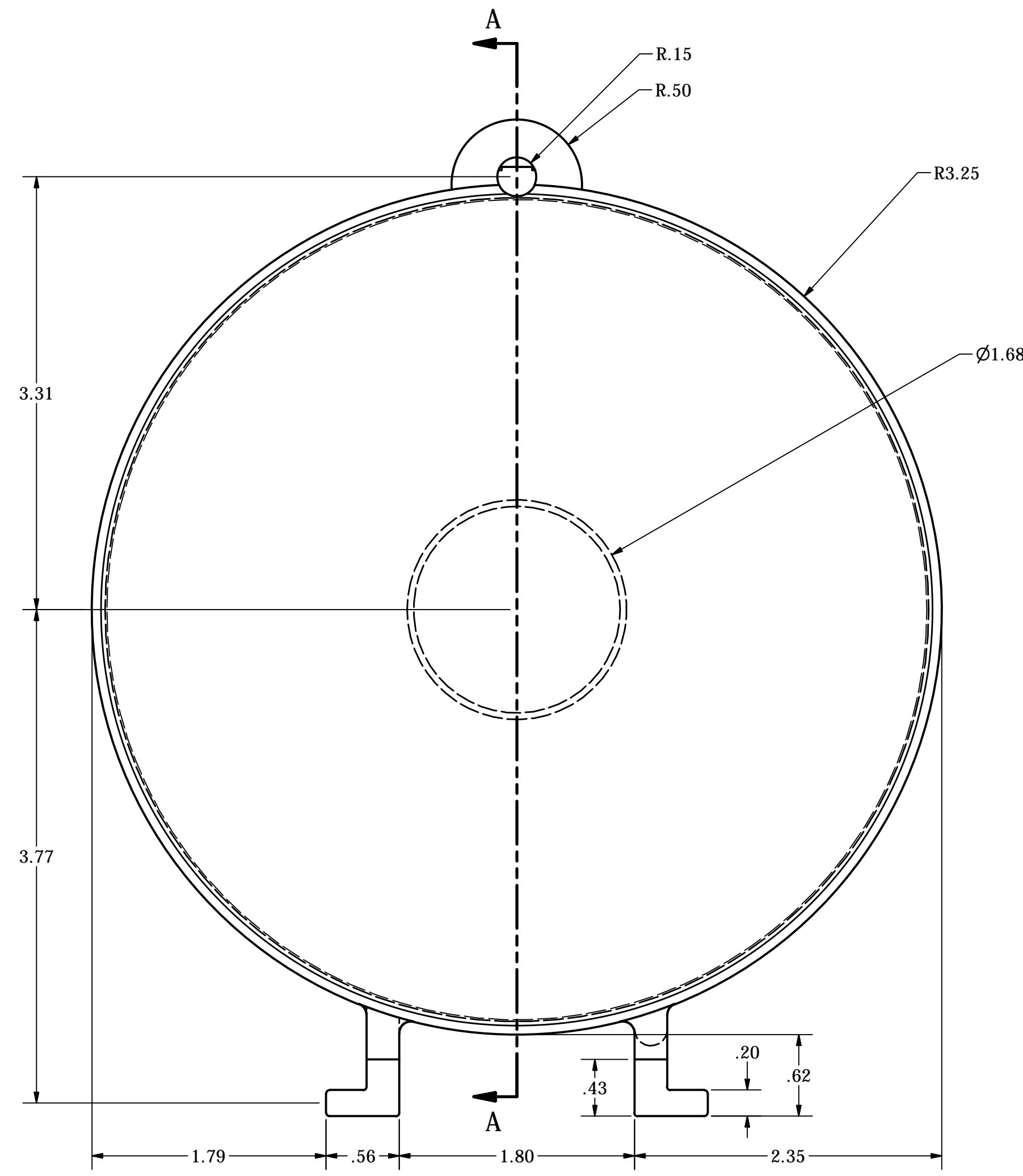
DRAWN	JOSEPH VALENTI	9/4/2014	LAMBRO INDUSTRIES, INC.		
CHECKED			TITLE		
QA			289W BUCKET		
MFG			SIZE	DWG NO	REV
APPROVED			D	289W	
			SCALE		SHEET 1 OF 1



DRAWN JOSEPH VALENTI	9/4/2014	LAMBRO INDUSTRIES, INC.		
CHECKED		TITLE		
QA		INTERNAL FLOAT CAP		
MFG		SIZE	DWG NO	REV
APPROVED		C	289W	
		SCALE	SHEET 1 OF 1	



DRAWN	JOSEPH VALENTI	9/4/2014	LAMBRO INDUSTRIES, INC.		
CHECKED			TITLE		
QA			90 DEGREE ELBOW W/ FLANGE		
MFG			SIZE	DWG NO	REV
APPROVED			D	289W	
			SCALE	SHEET 1 OF 1	



DRAWN	JOSEPH VALENTI	9/4/2014	LAMBRO INDUSTRIES, INC.		
CHECKED			TITLE		
QA			BUCKET FLAP		
MFG			SIZE	DWG NO	REV
APPROVED			D	289W	
			SCALE	SHEET 1 OF 1	