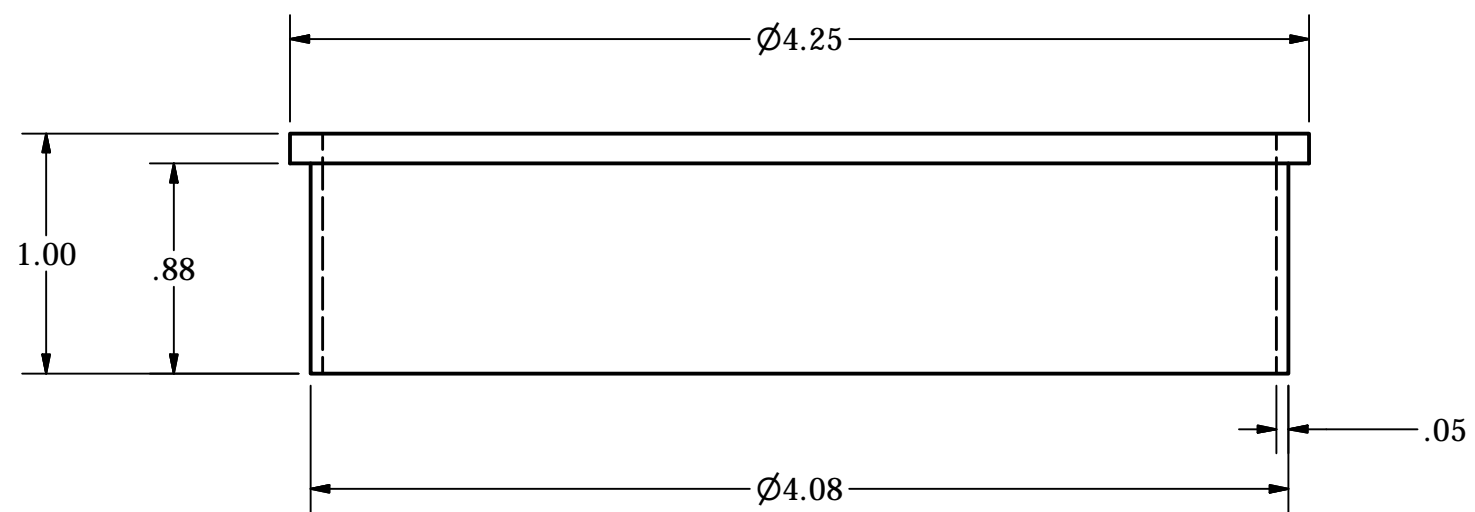
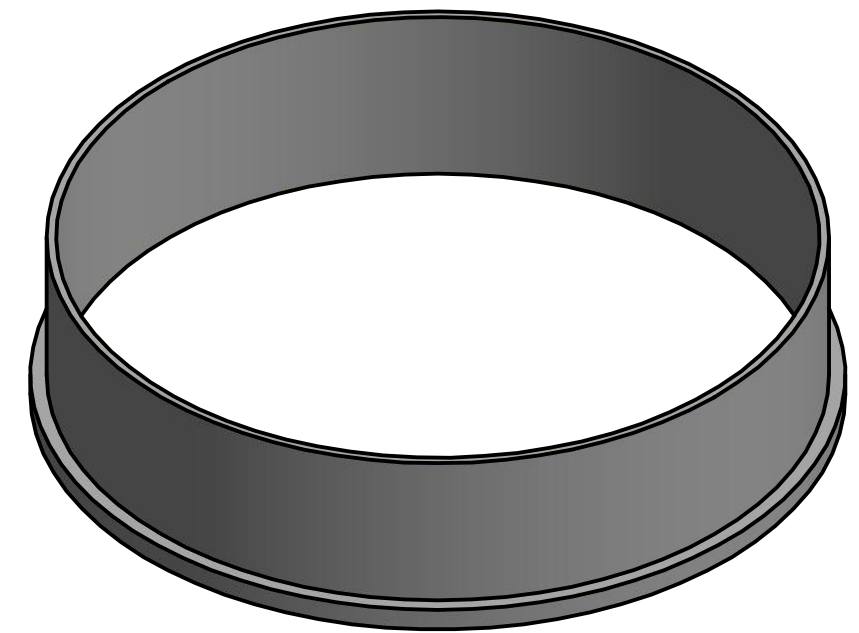
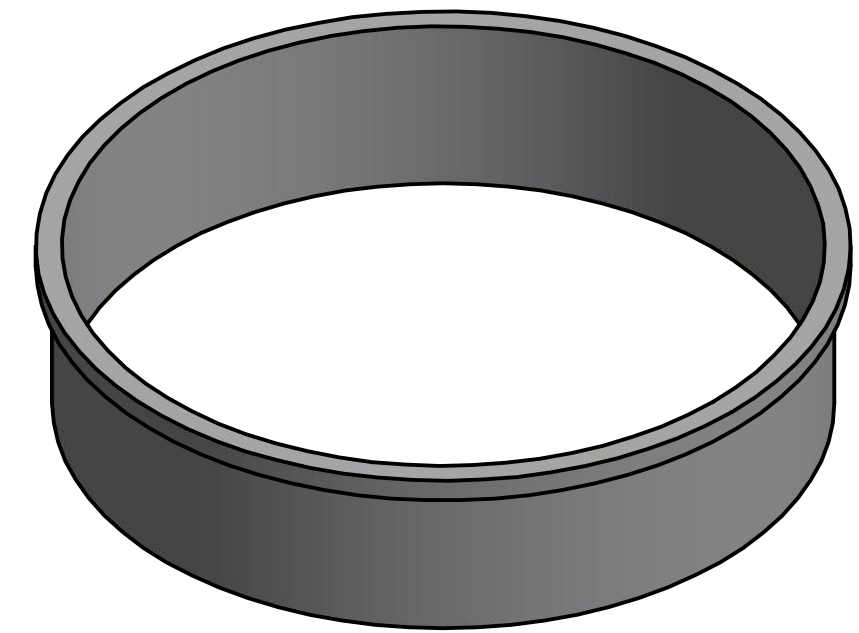
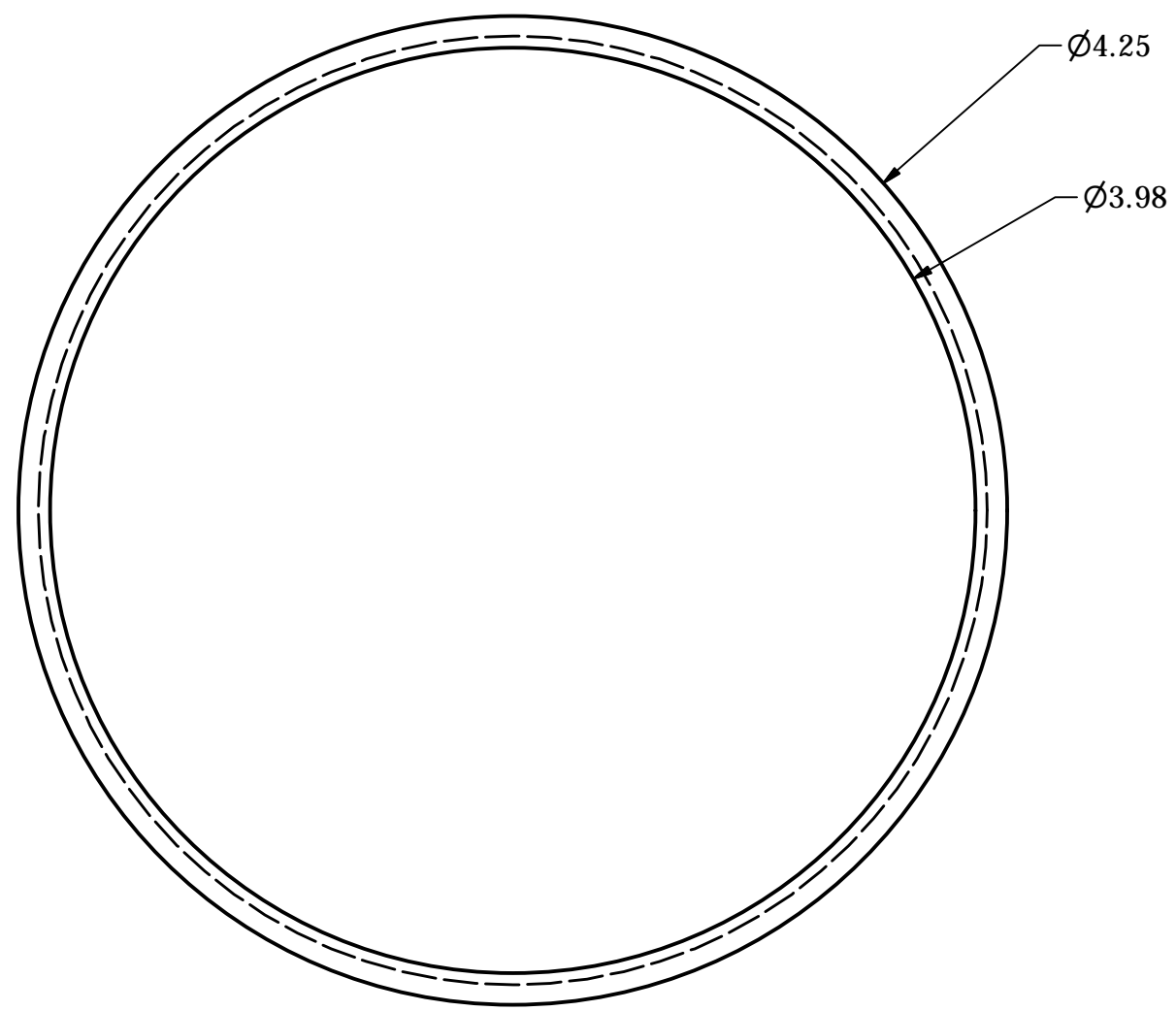


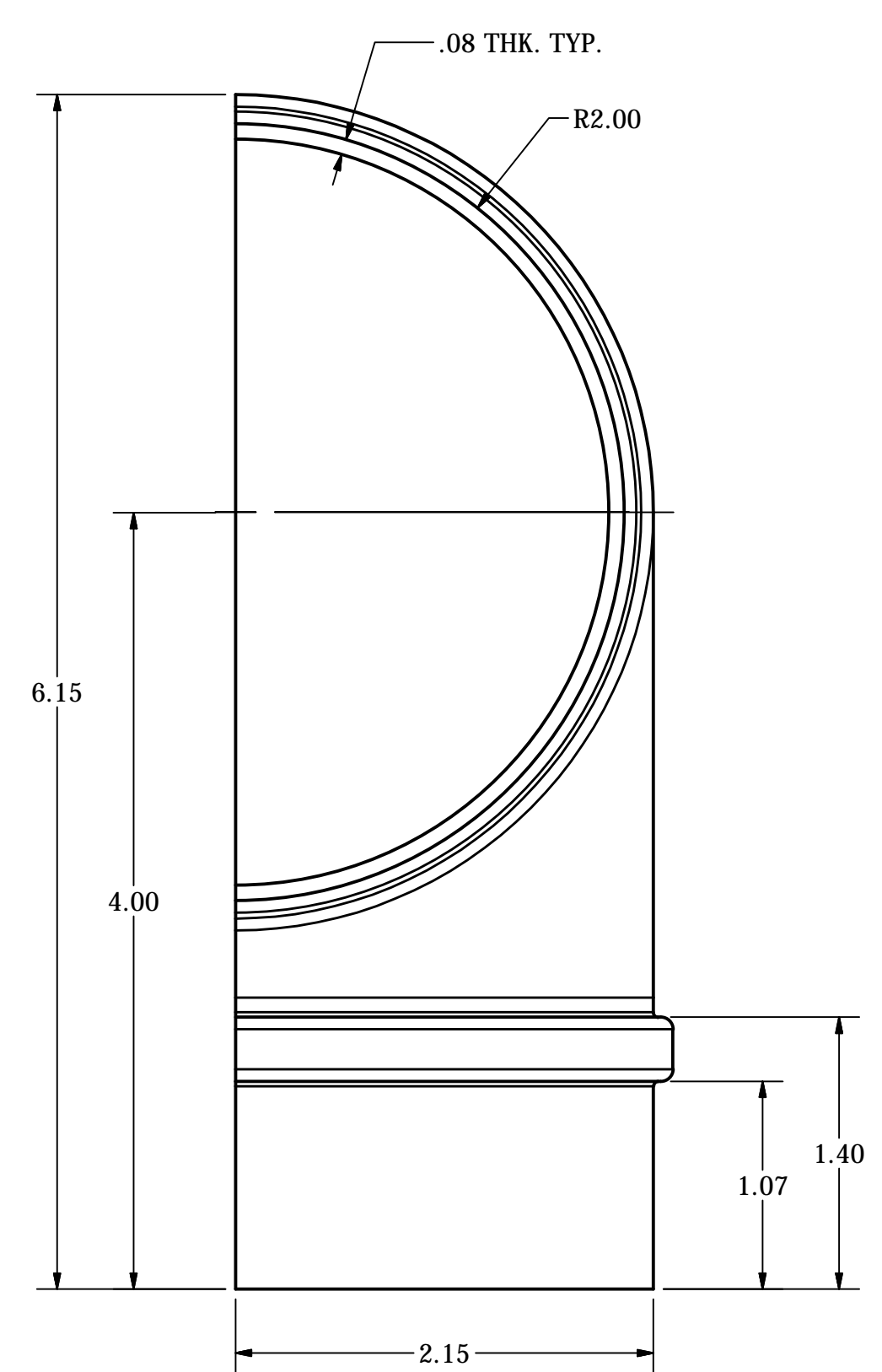
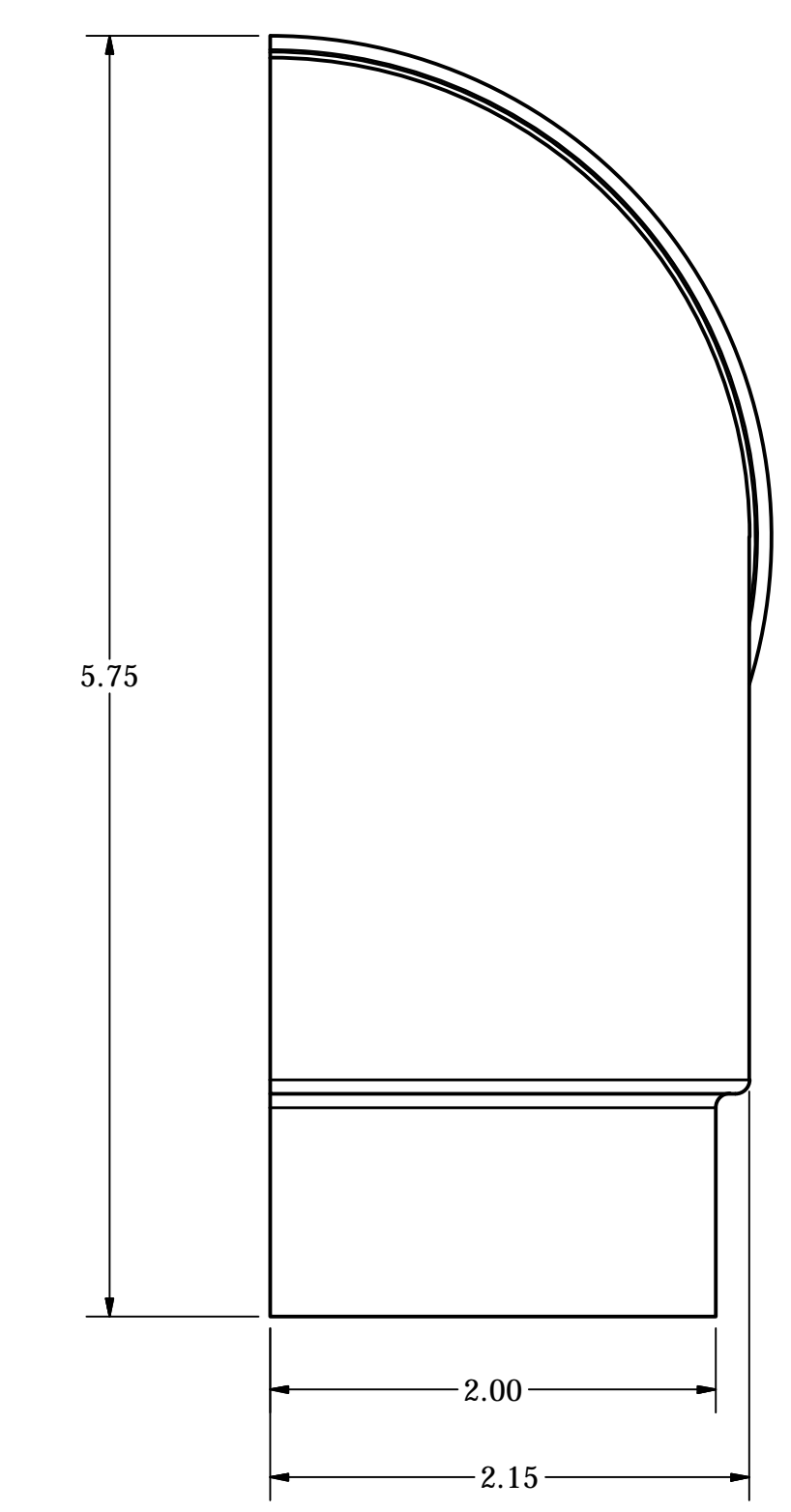
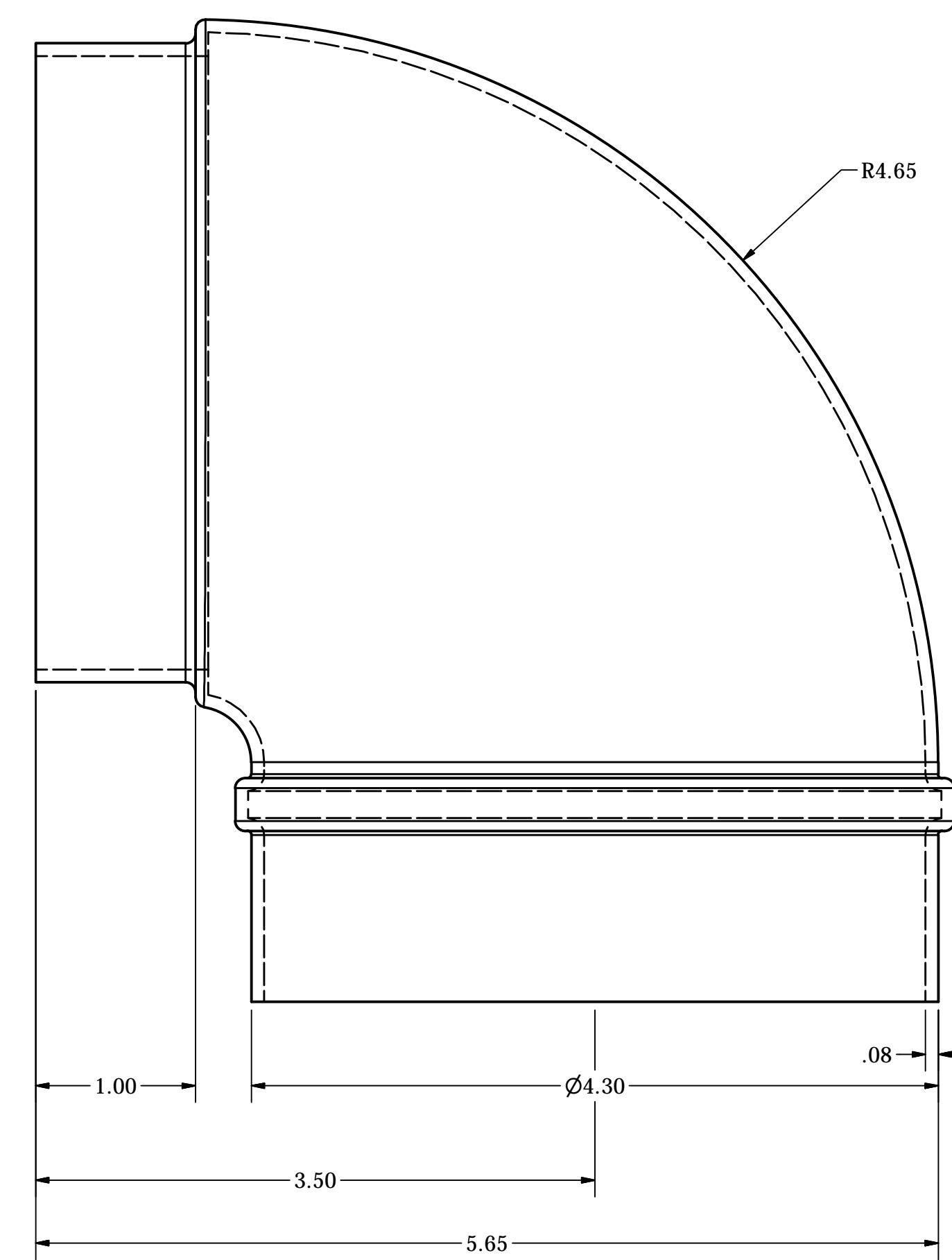
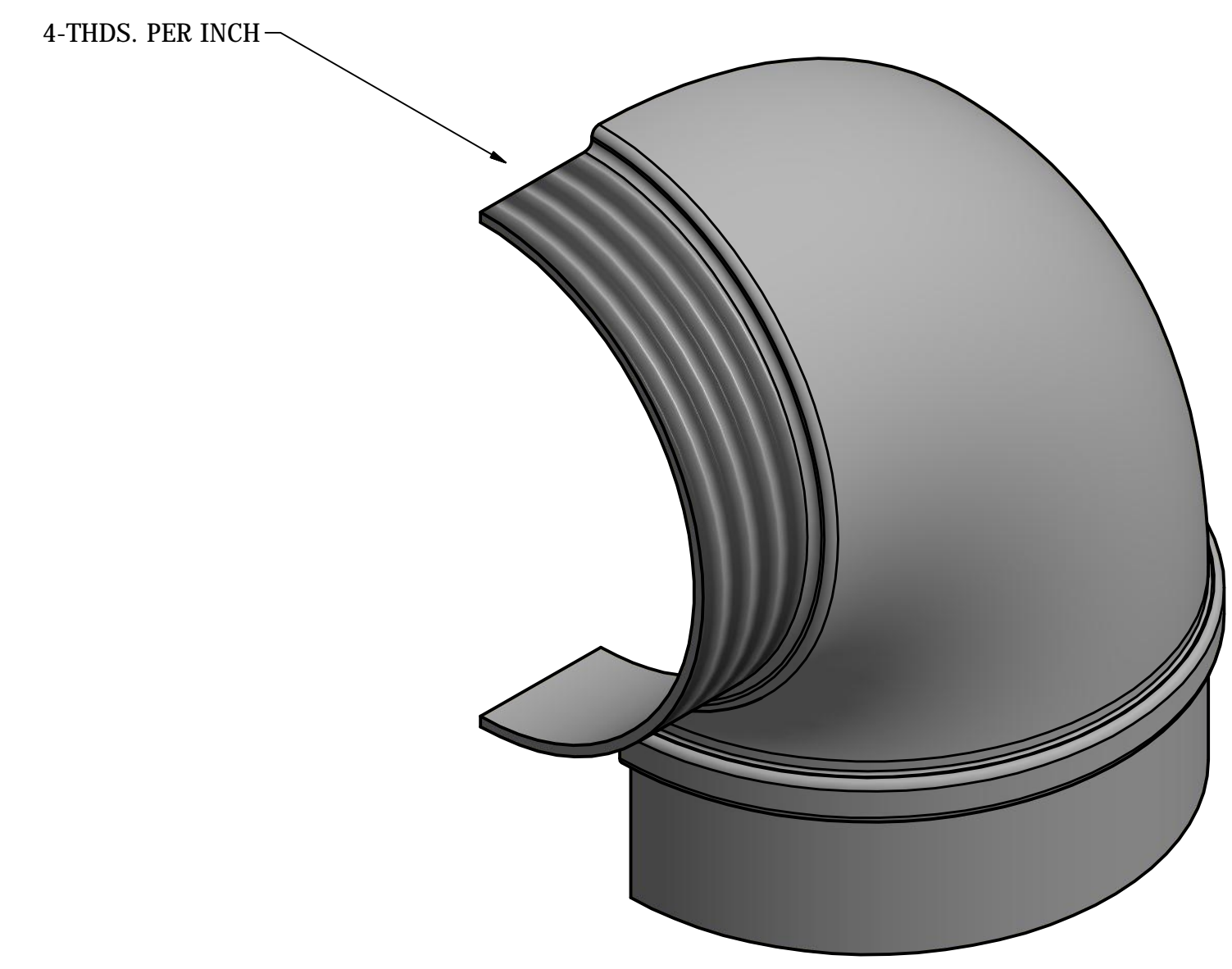
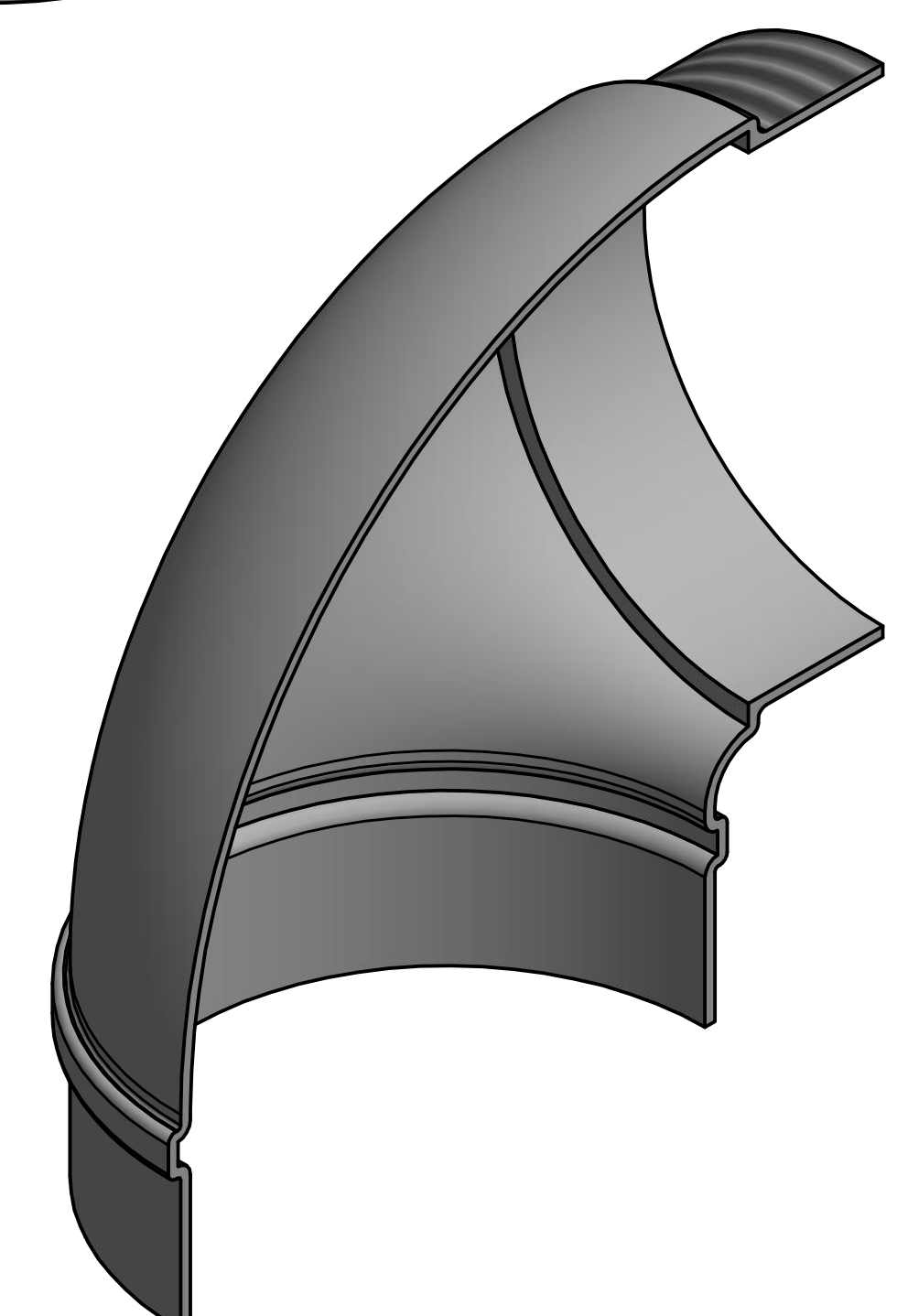
DRAWN	JOSEPH VALENTI	9/24/2014	LAMBRO INDUSTRIES, INC.		
CHECKED			TITLE		
QA			90 DEGREE DRYER TUBE		
MFG			SIZE	DWG NO	REV
APPROVED			D	90 degree tube assembly	
			SCALE		SHEET 1 OF 1



DRAWN JOSEPH VALENTI	9/24/2014	LAMBRO INDUSTRIES, INC.		
CHECKED		TITLE		
QA		RUBBER SEAL		
MFG		SIZE	DWG NO	REV
APPROVED		C	SEAL	
		SCALE	SHEET 1 OF 1	



DRAWN	JOSEPH VALENTI	9/24/2014	LAMBRO INDUSTRIES, INC.		
CHECKED			TITLE		
QA			90 DEGREE TUBE		
MFG			SIZE	DWG NO	REV
APPROVED			D	LEFT SIDE	
			SCALE	SHEET 1 OF 1	



8 7 6 5 4 3 2 1

8 7 6 5 4 3 2 1

D

D

C

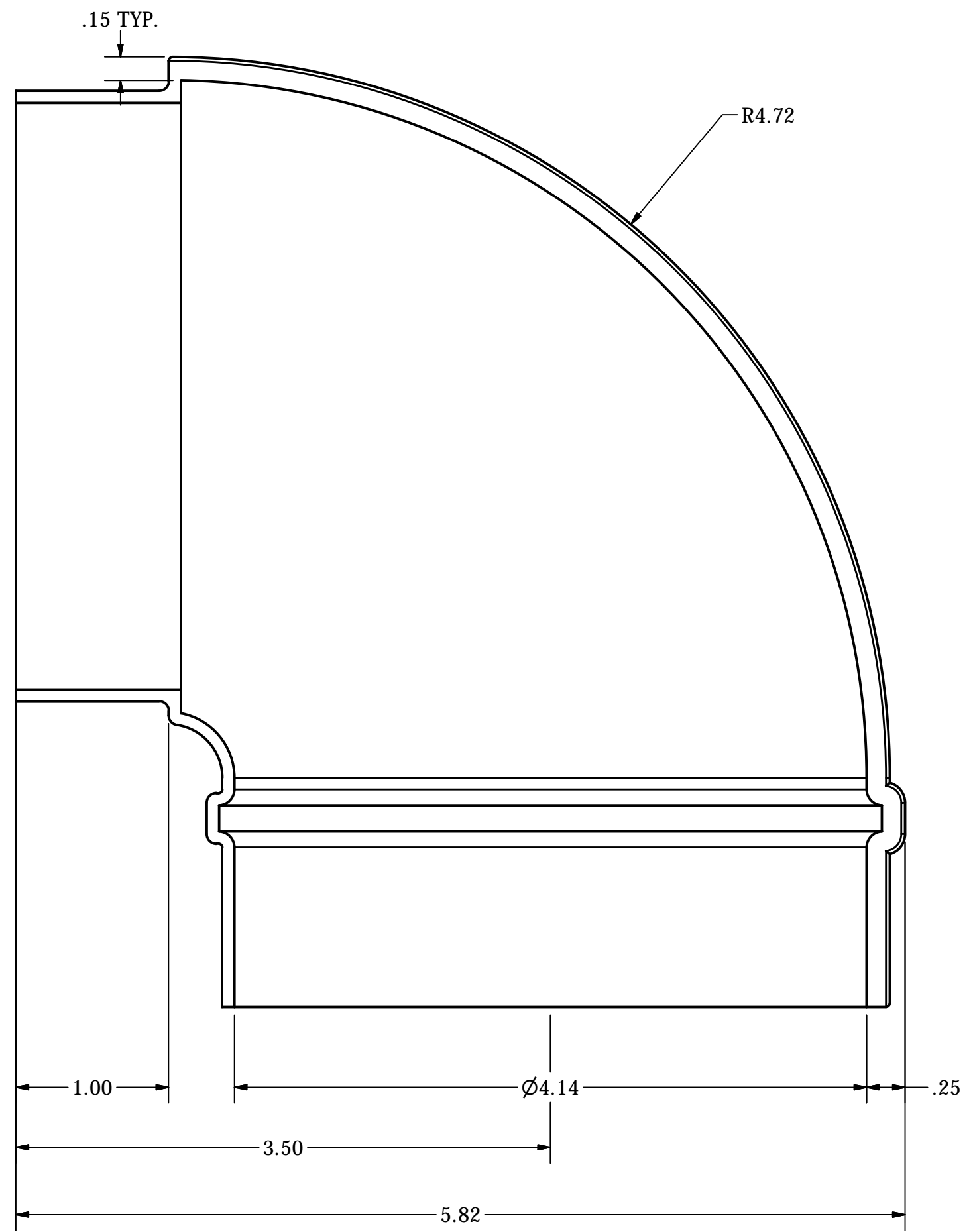
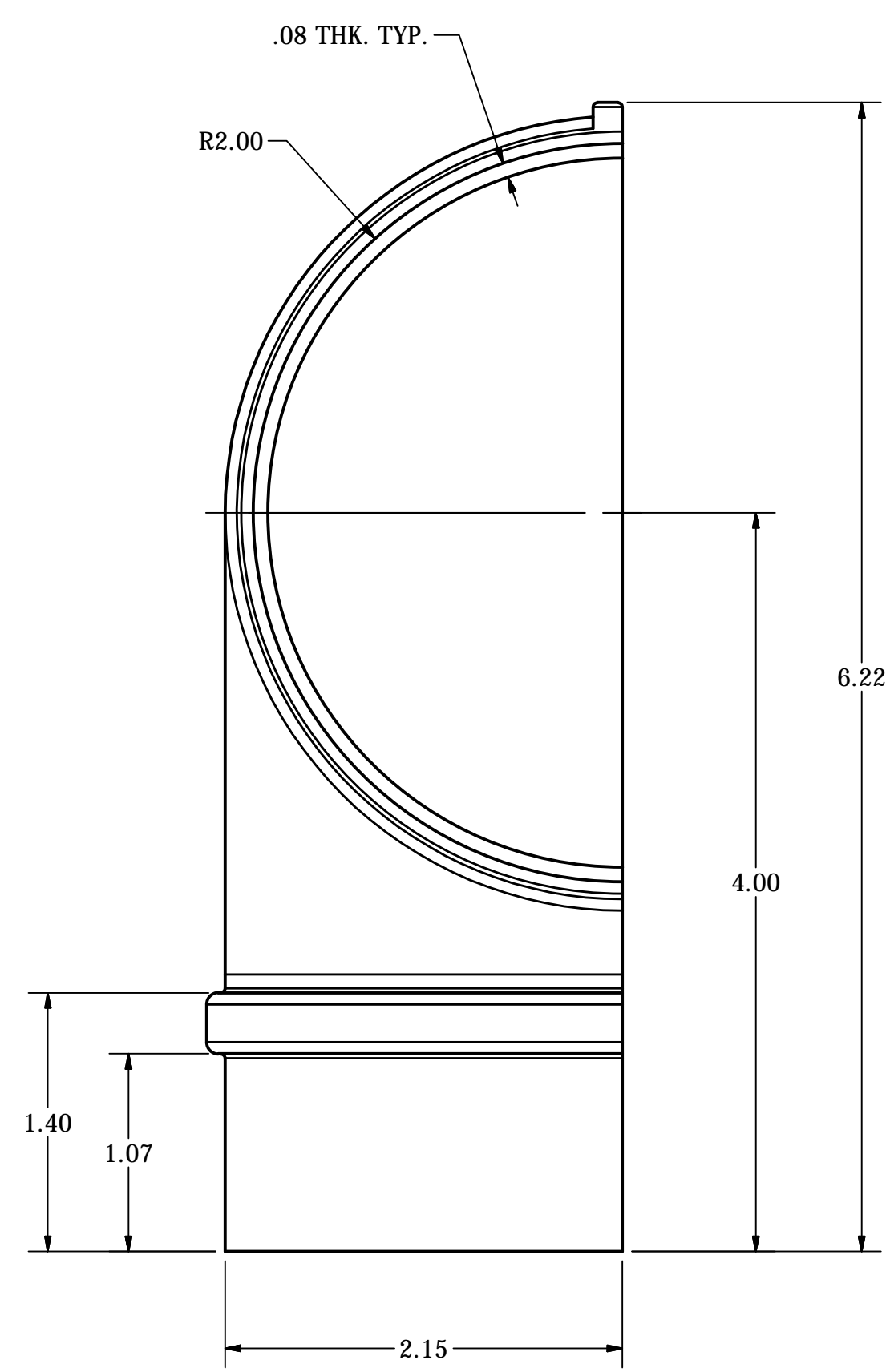
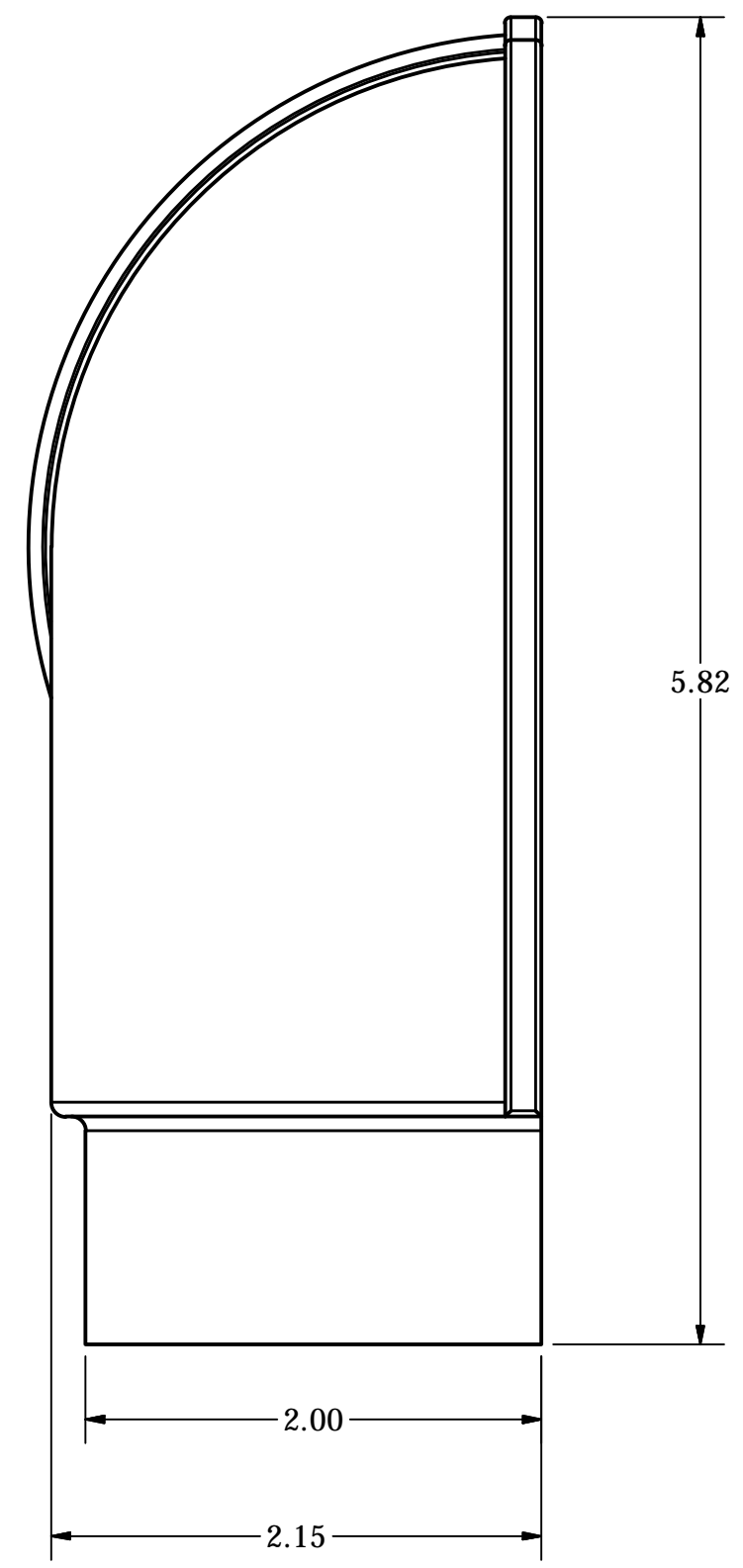
C

B

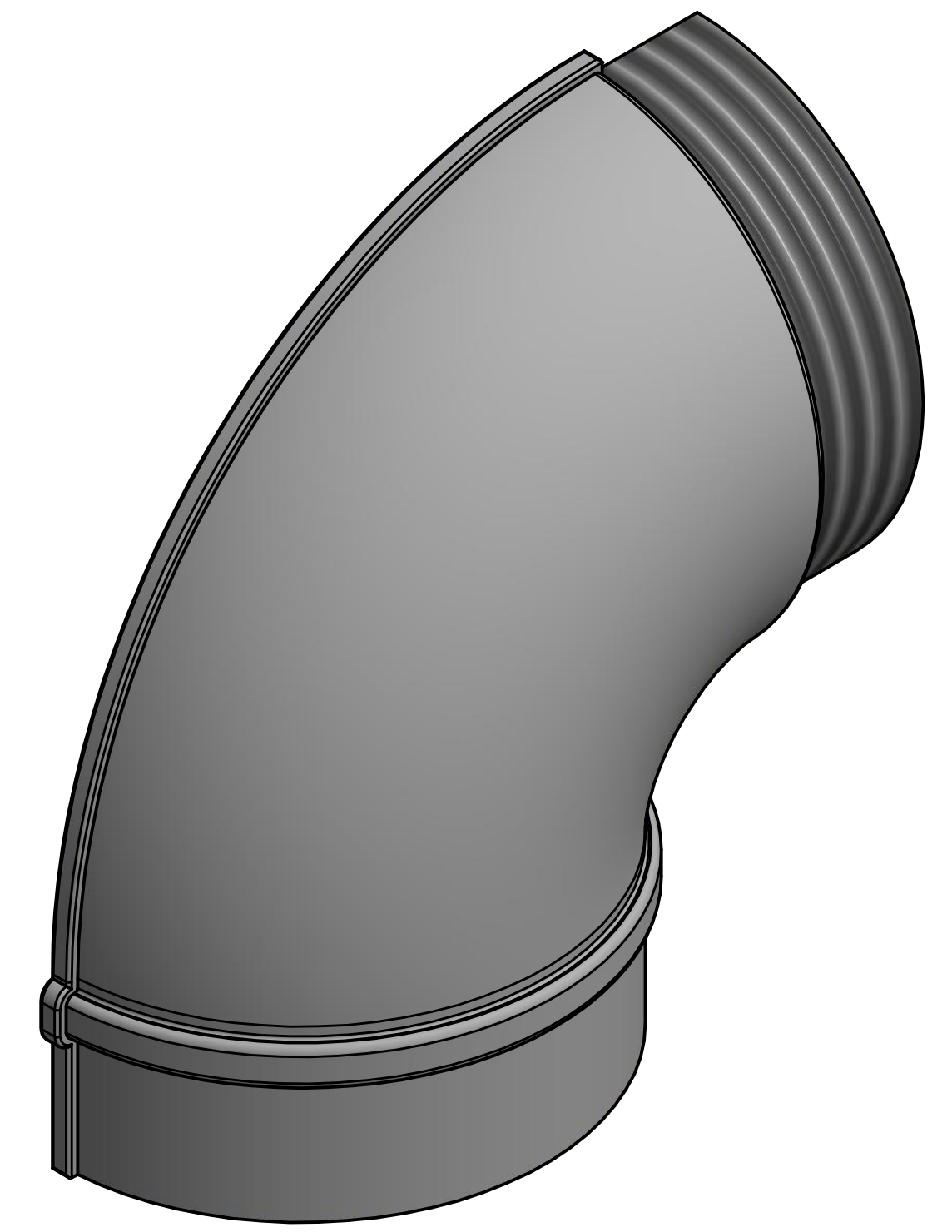
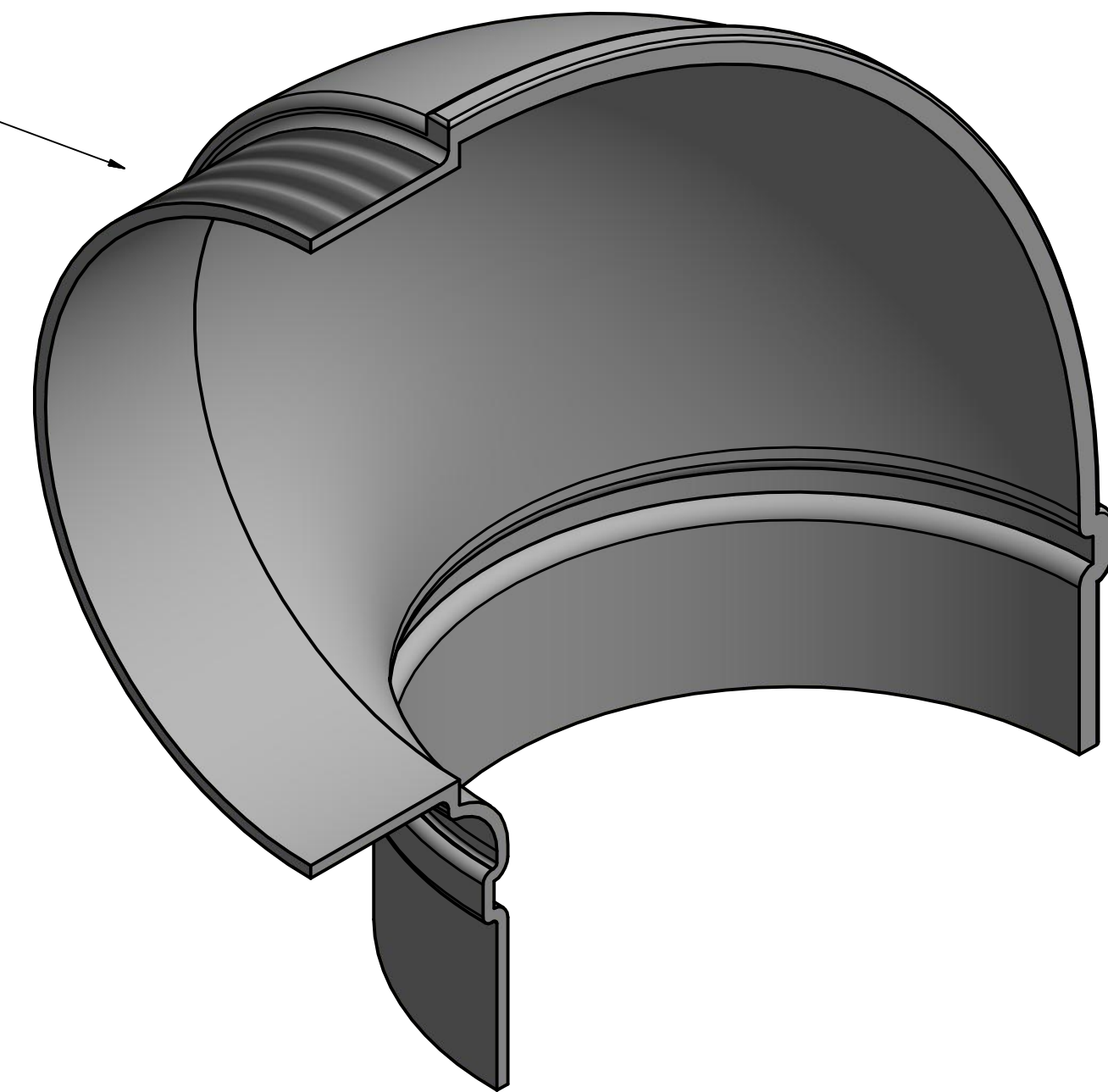
B

A

A



4 THDS. PER INCH



DRAWN	JOSEPH VALENTI	9/24/2014	LAMBRO INDUSTRIES, INC.		
CHECKED			TITLE		
QA			90 DEGREE TUBE		
MFG			SIZE	DWG NO	REV
APPROVED			D	RIGHT SIDE	
			SCALE		SHEET 1 OF 1