
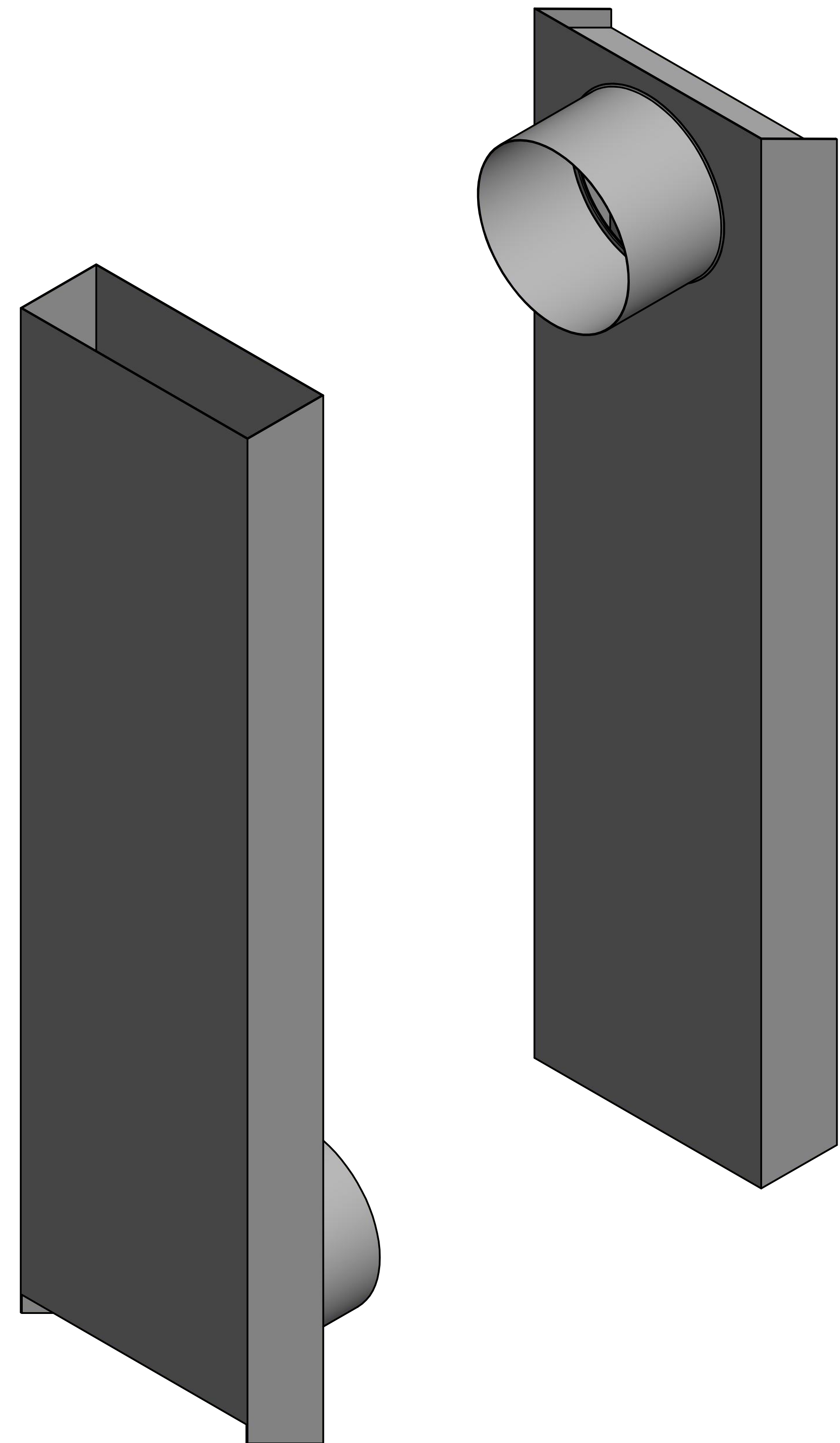
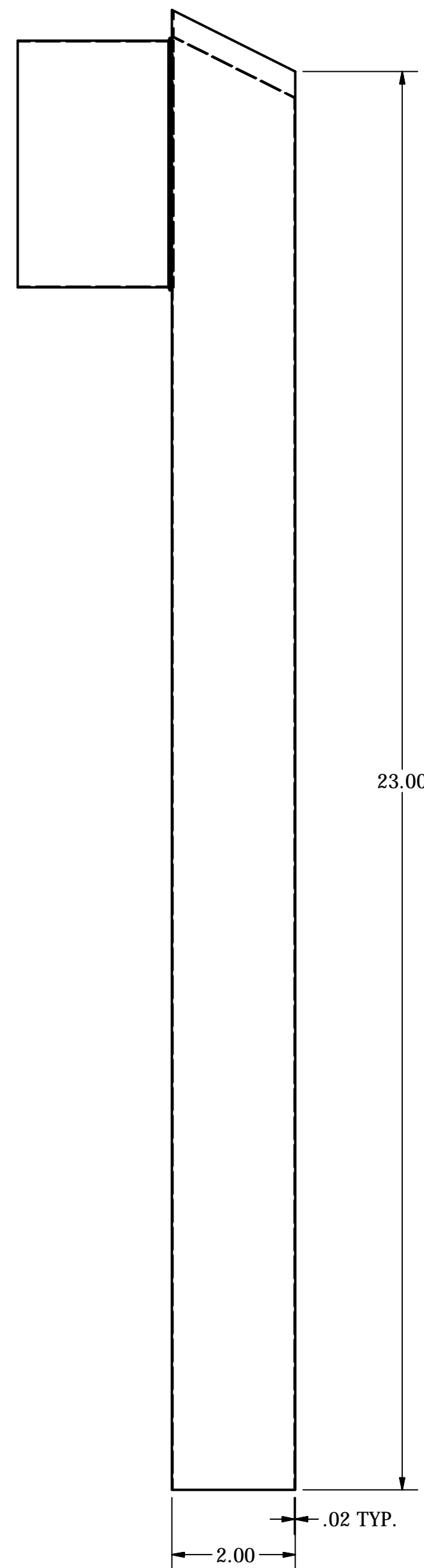
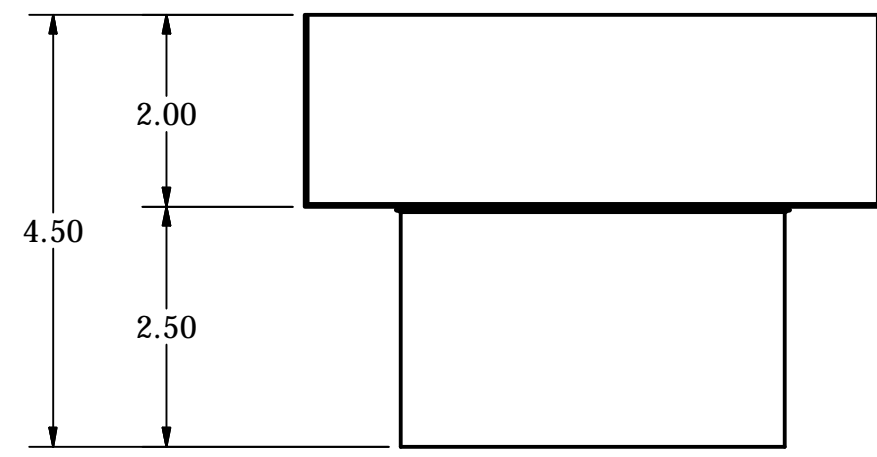
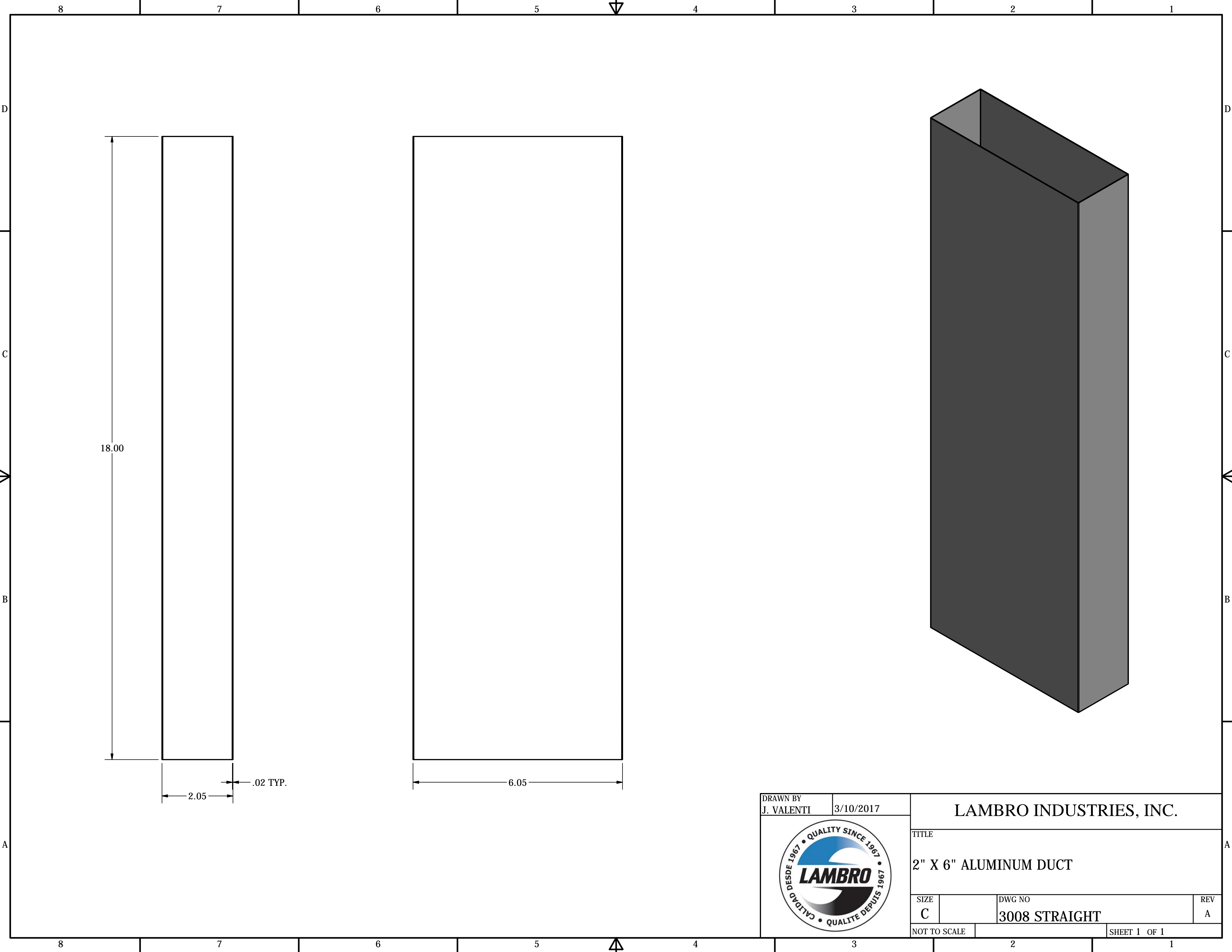


DRAWN BY J. VALENTI		3/10/2017		LAMBRO INDUSTRIES, INC.	
					
SIZE D	DWG NO 3008		REV A		NOT TO SCALE
				SHEET 1 OF 1	



DRAWN BY J. VALENTI		3/10/2017		LAMBRO INDUSTRIES, INC.	
TITLE ADJUSTABLE STRAIGHT ALUMINUM DUCT - MALE COMPONENT					
SIZE D	DWG NO 3008 MALE			REV A	
NOT TO SCALE				SHEET 1 OF 1	





DRAWN BY
J. VALENTI

3/10/2017

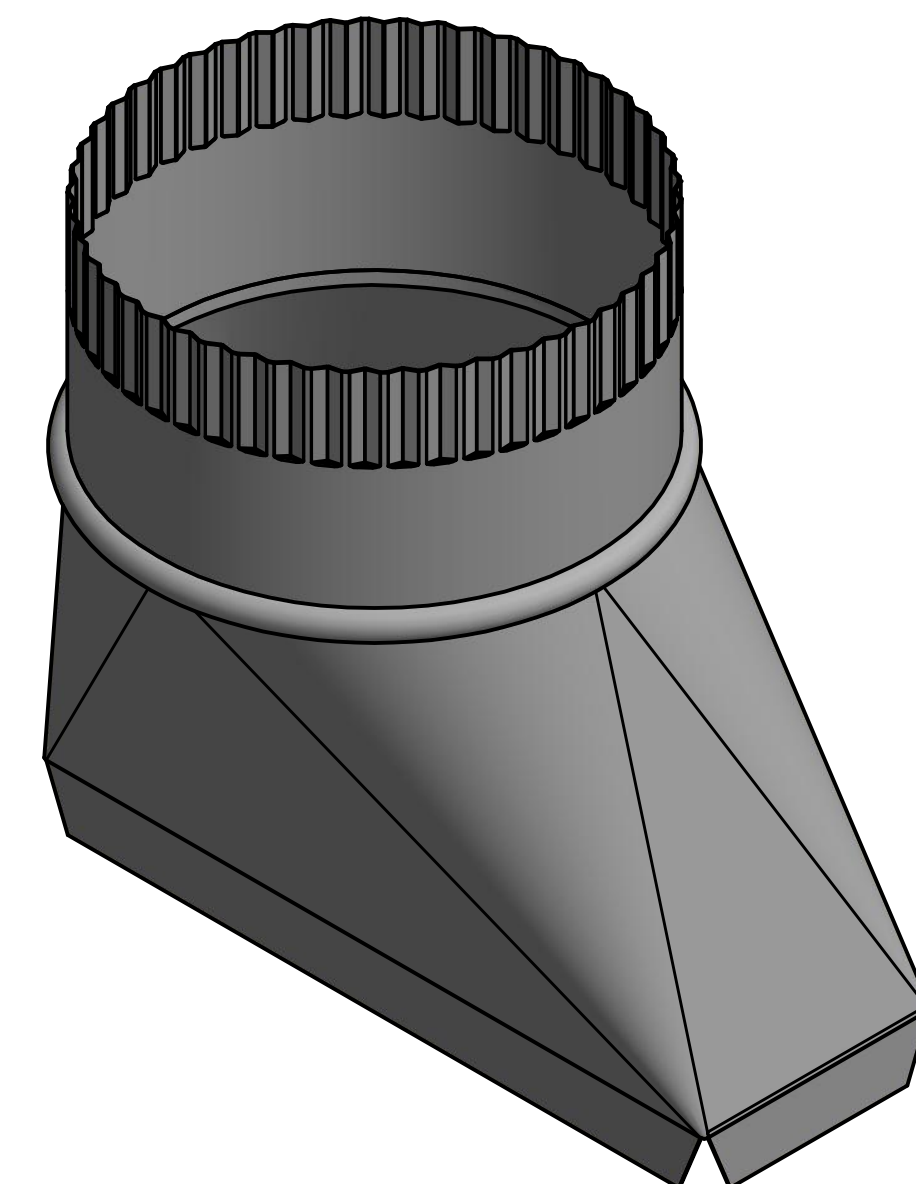
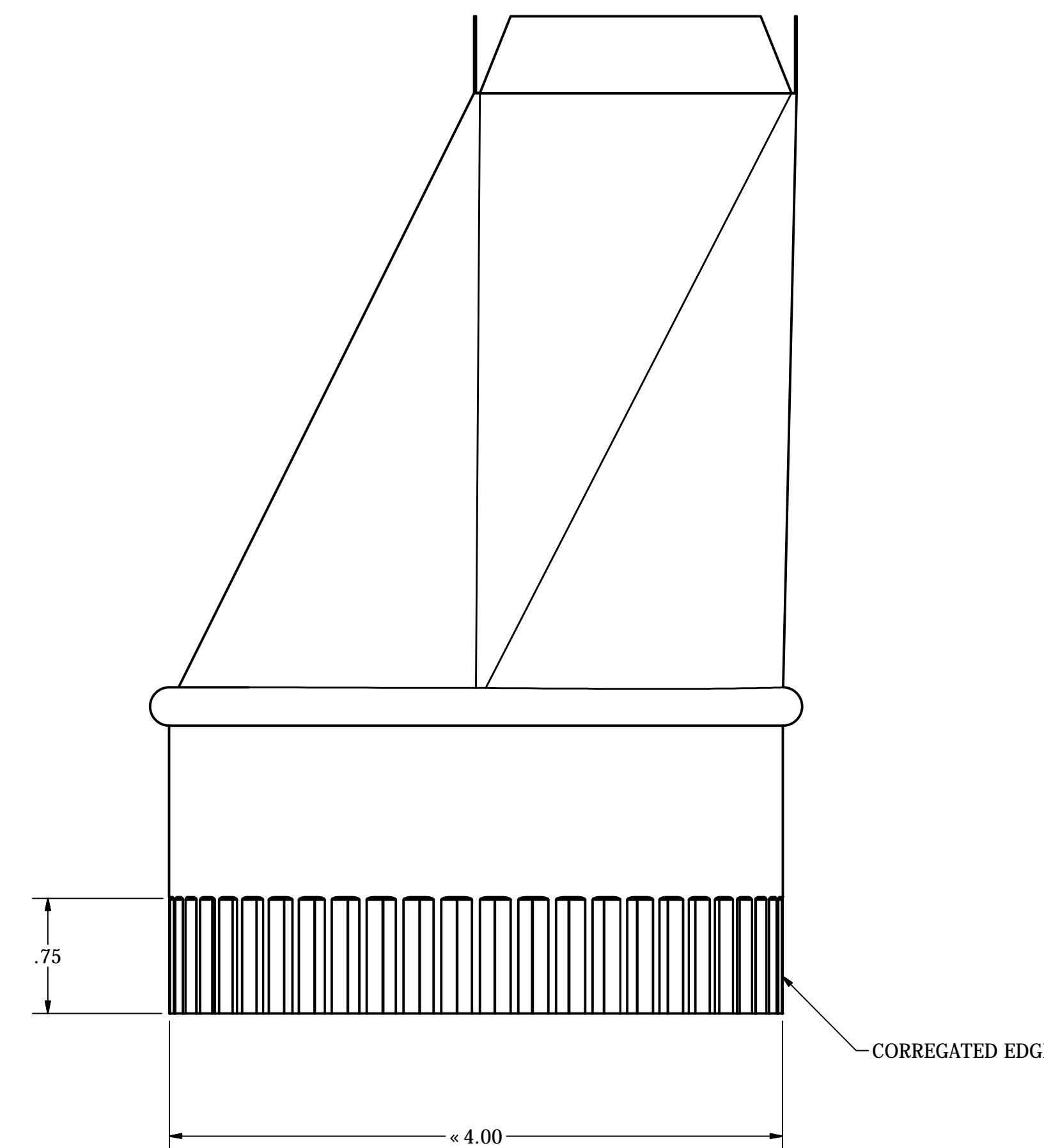
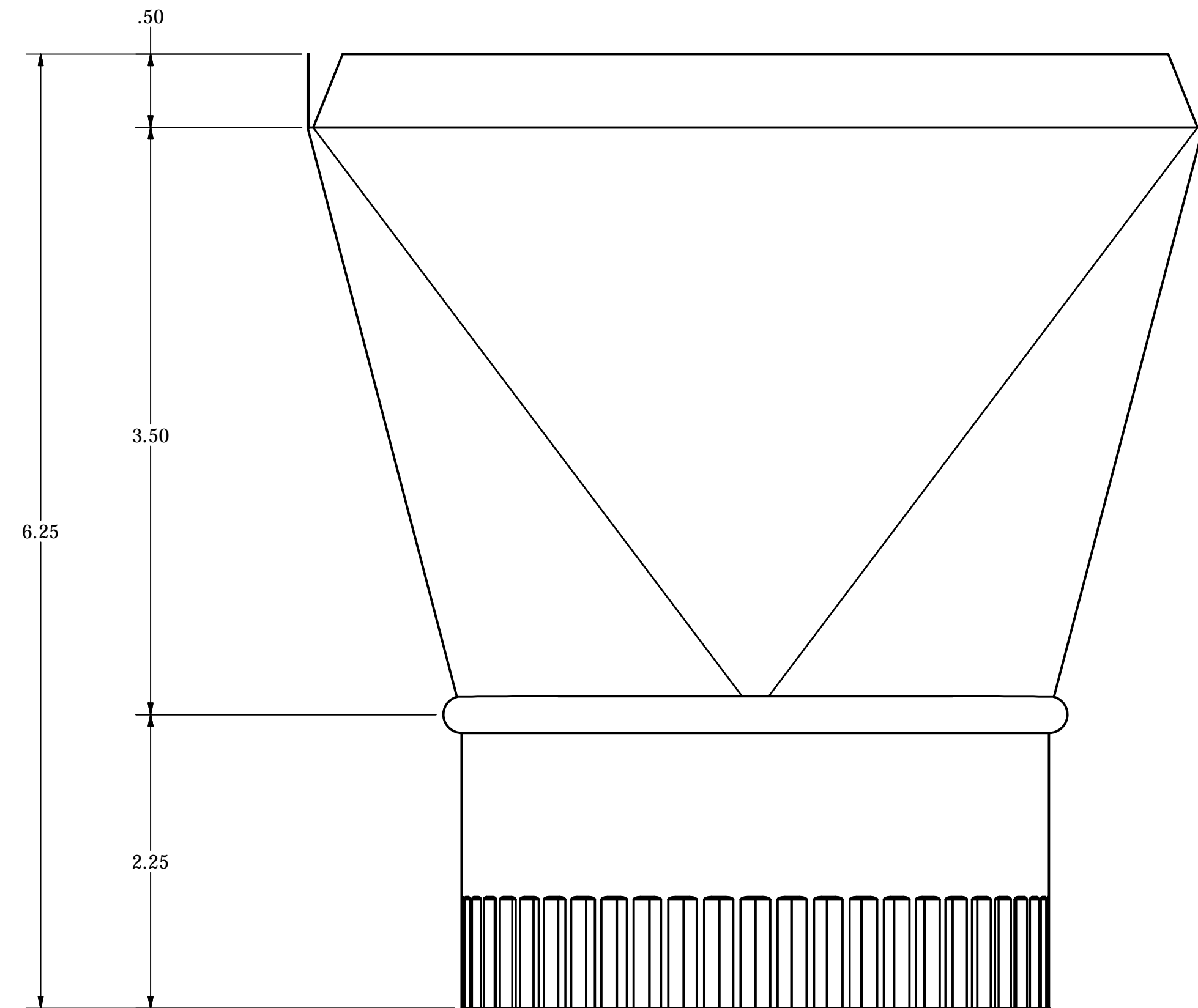
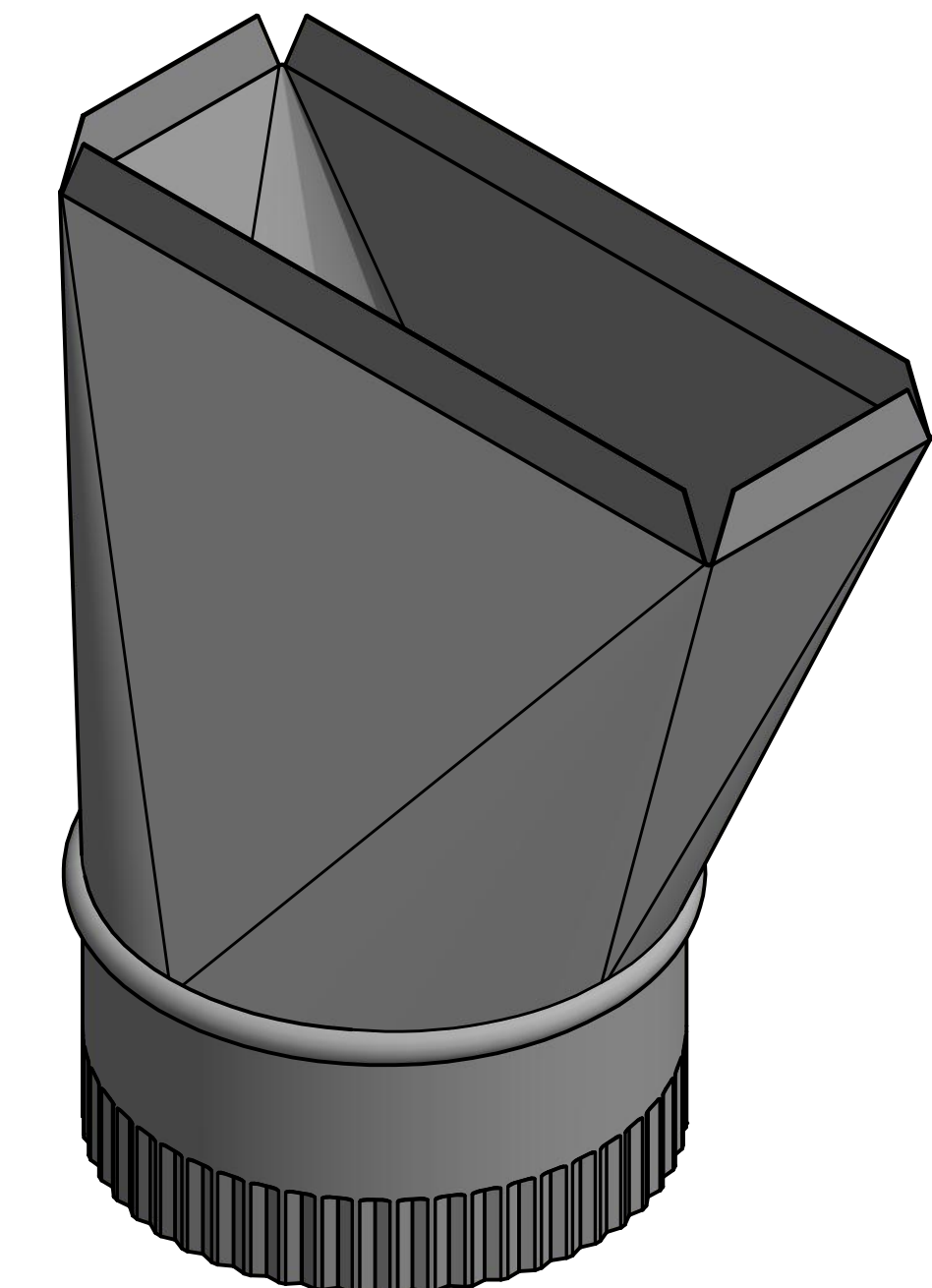
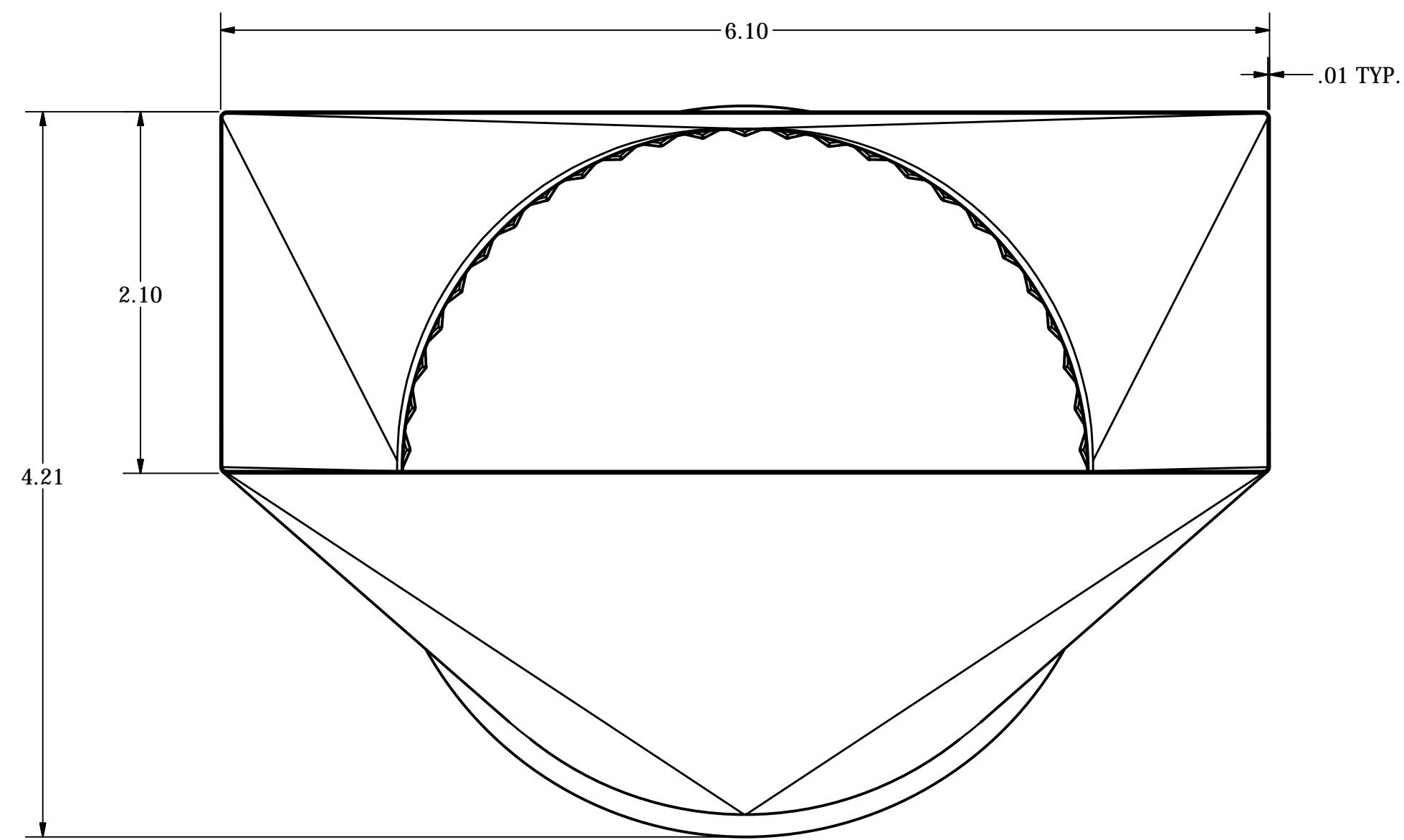
LAMBRO INDUSTRIES, INC.




TITLE
2" X 6" ALUMINUM DUCT

SIZE C	DWG NO 3008 STRAIGHT	REV A
-----------	-------------------------	----------

NOT TO SCALE SHEET 1 OF 1



DRAWN BY J. VALENTI		3/10/2017		LAMBRO INDUSTRIES, INC.	
					
SIZE D	DWG NO 3008 REDUCER		REV A		NOT TO SCALE
				SHEET 1 OF 1	