

4

3

2

1

D

D

C

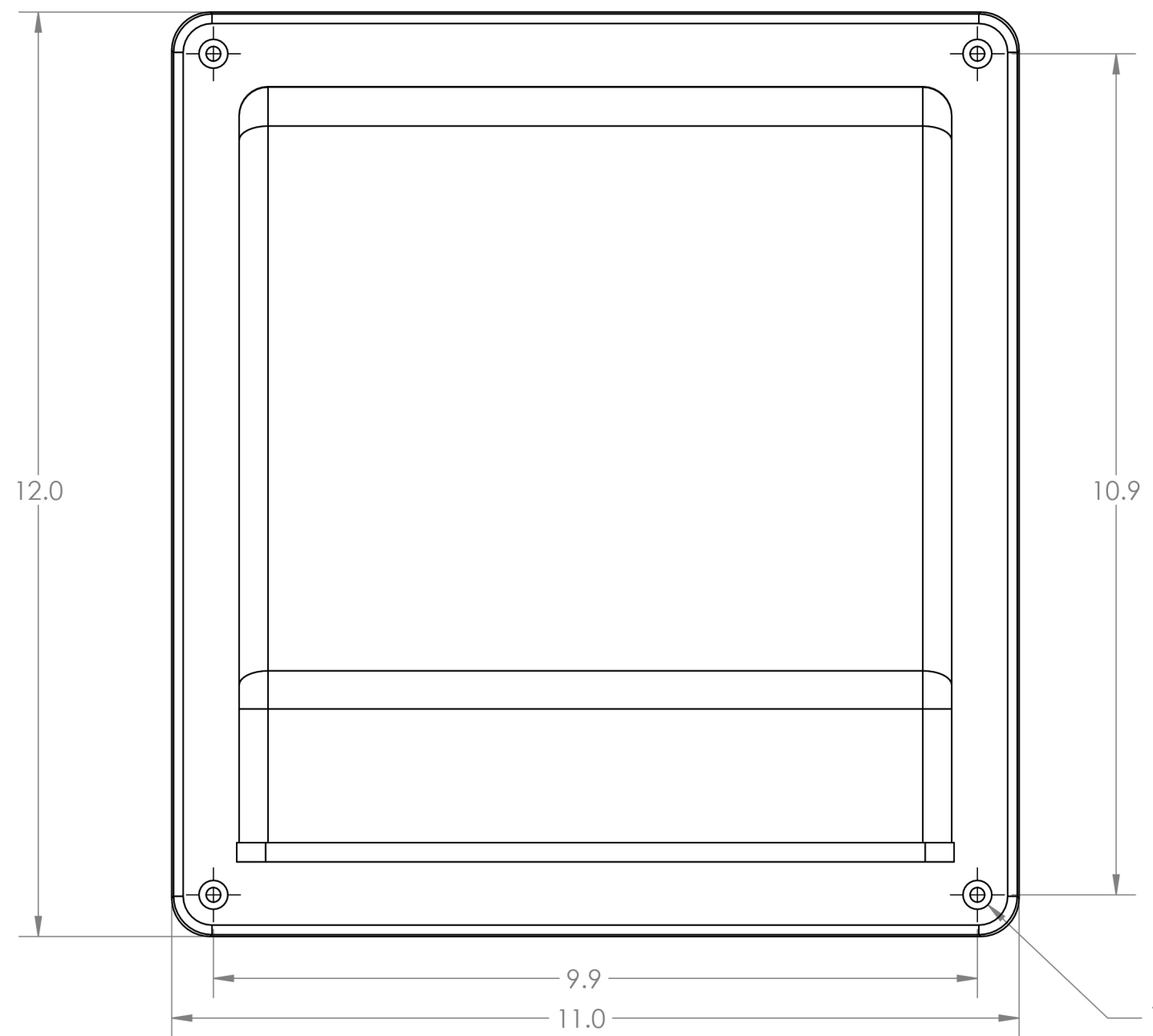
C

B

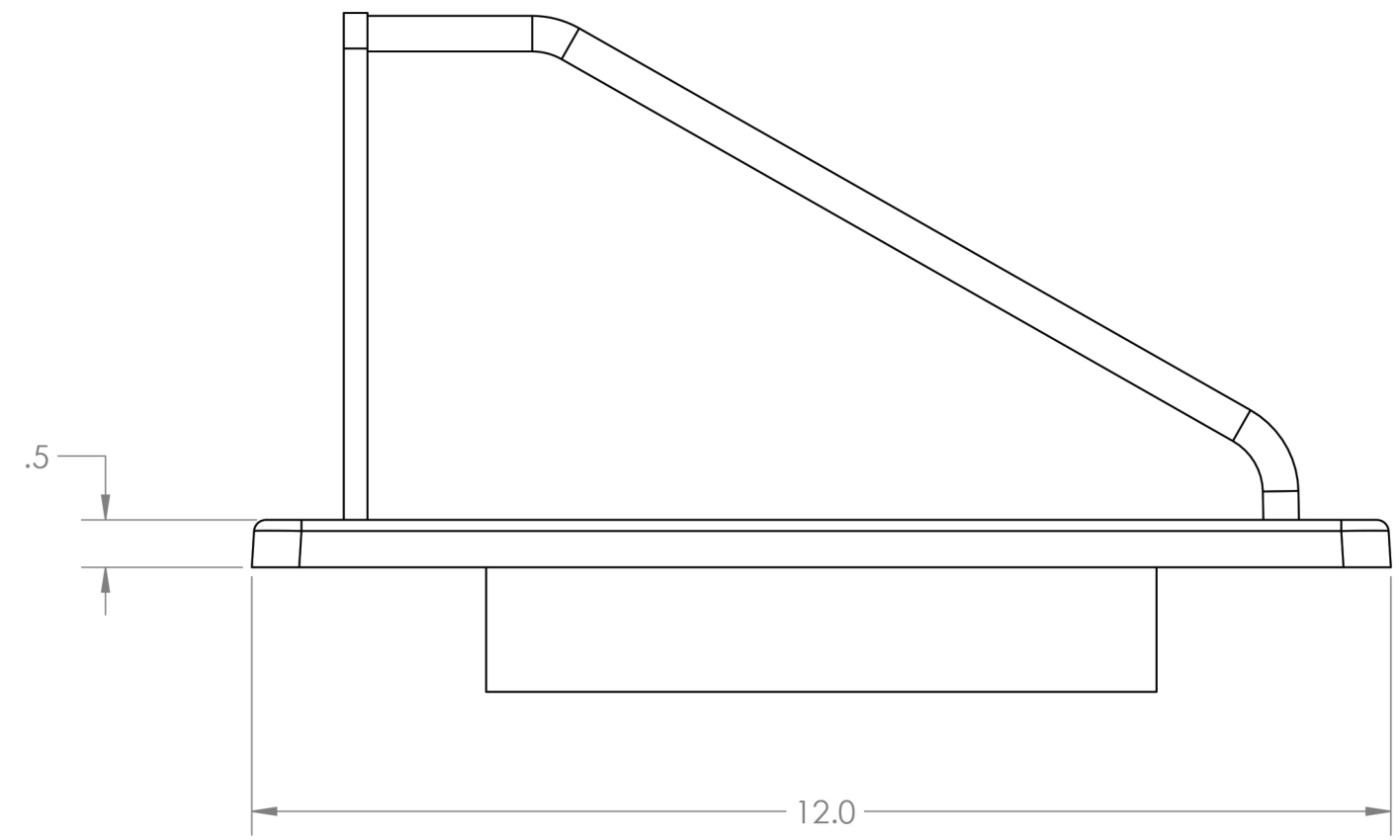
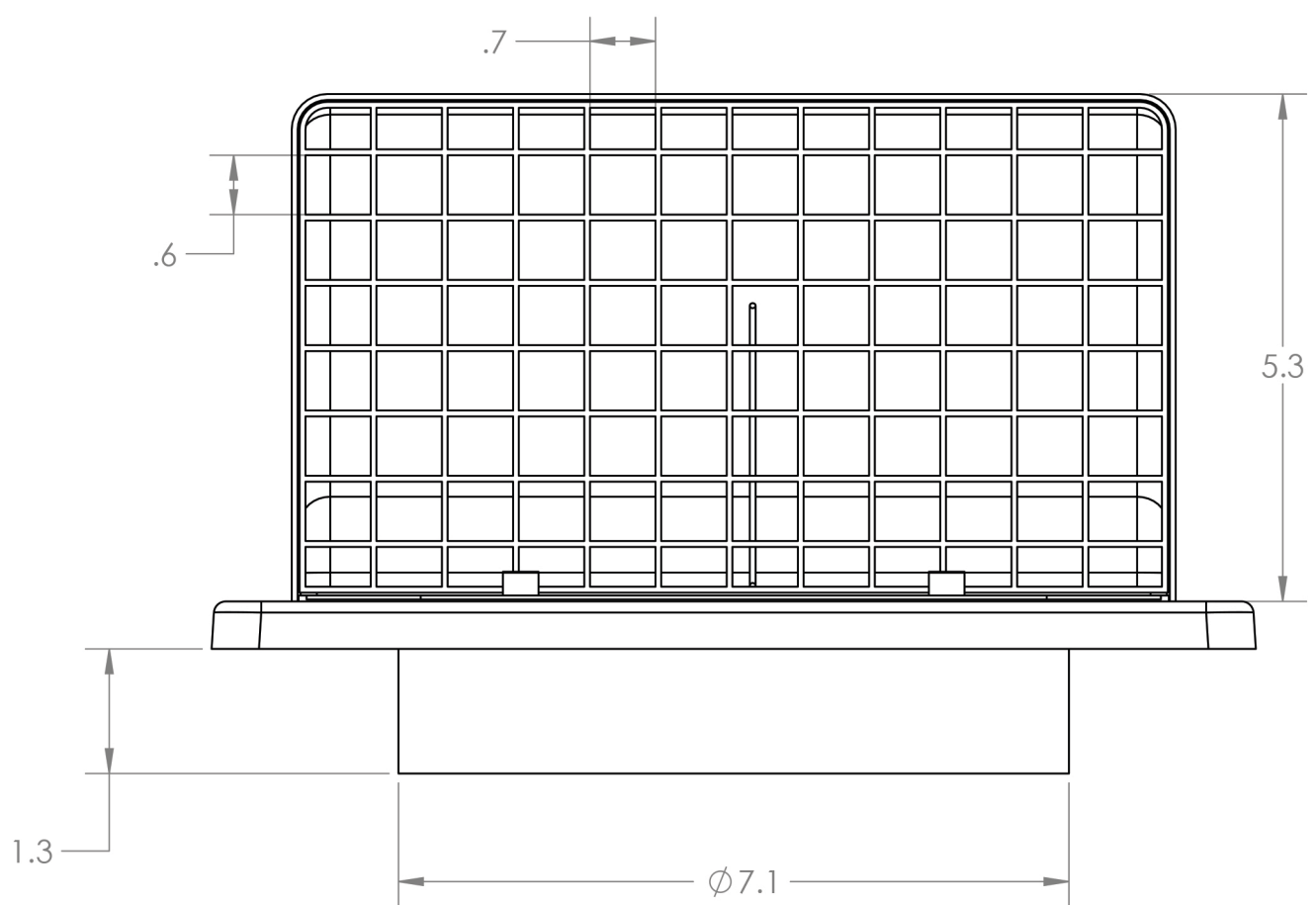
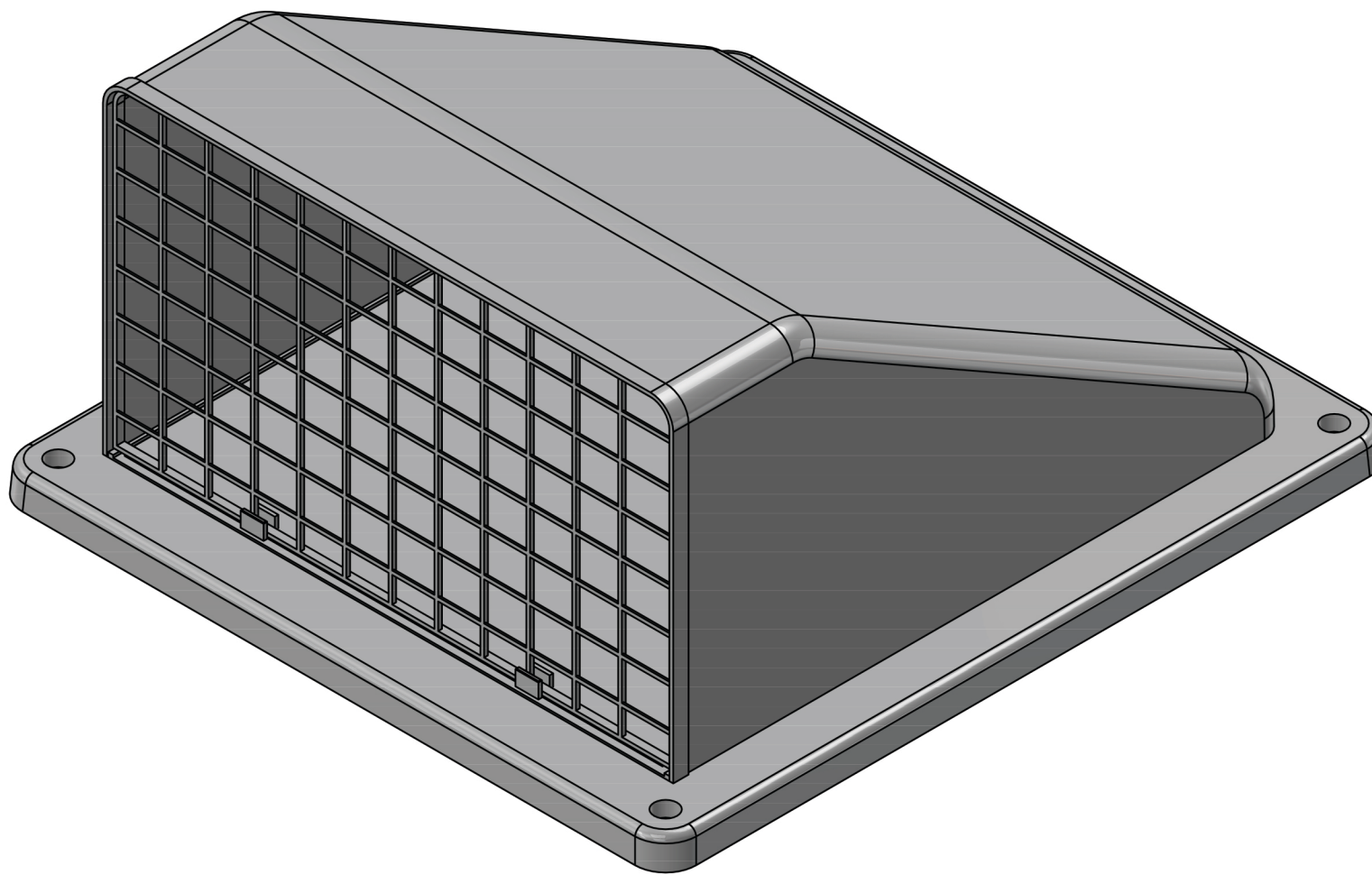
B

A

A



4X Ø .2 THRU ALL
 □ Ø .4 ▽ .3



PROPRIETARY AND CONFIDENTIAL
 THE INFORMATION CONTAINED IN THIS DRAWING IS THE SOLE PROPERTY OF LAMBRO. ANY REPRODUCTION IN PART OR AS A WHOLE WITHOUT THE WRITTEN PERMISSION OF LAMBRO IS PROHIBITED.

UNLESS OTHERWISE SPECIFIED:		NAME	DATE
DIMENSIONS ARE IN INCHES	DRAWN		
TOLERANCES:	CHECKED		
FRACTIONAL ± 1/16	ENG APPR.		
ANGULAR: MACH ± 1 BEND ± .01	MFG APPR.		
TWO PLACE DECIMAL ± 0.01	Q.A.		
THREE PLACE DECIMAL ± 0.005	COMMENTS:		
INTERPRET GEOMETRIC TOLERANCING PER:	Net Free Area (NFA)		
MATERIAL	Without Screen: 48 sq. in.		
FINISH	With Screen: 40 sq. in.		
APPLICATION	Spring-Controlled Damper		

LAMBRO Lambro Industries, Inc.
 115 Albany Ave.
 Amityville, NY 11701
 (631) 842-8088
 www.lambro.net

TITLE: 7" Plastic Wall Exhaust Hood Vent
 Spring-Controlled Damper
 Removable Screen - 1.15" Collar
 Made of High Impact Polystyrene material with UV inhibitor used to help prevent the premature fading of vent

SIZE DWG. NO. REV
C 352W

SCALE: 1:2 WEIGHT: SHEET 1 OF 1