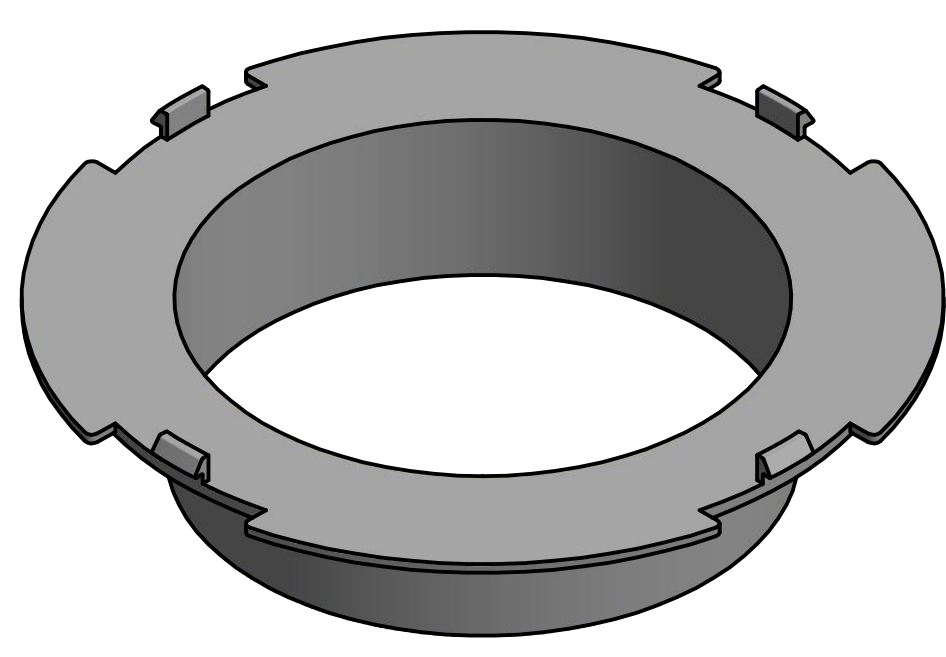
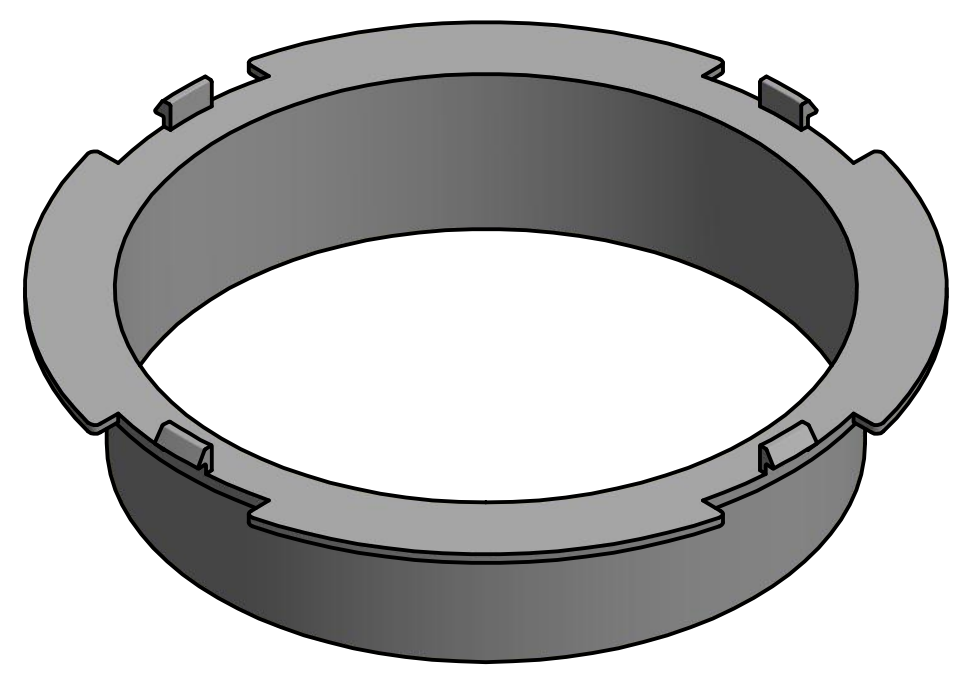


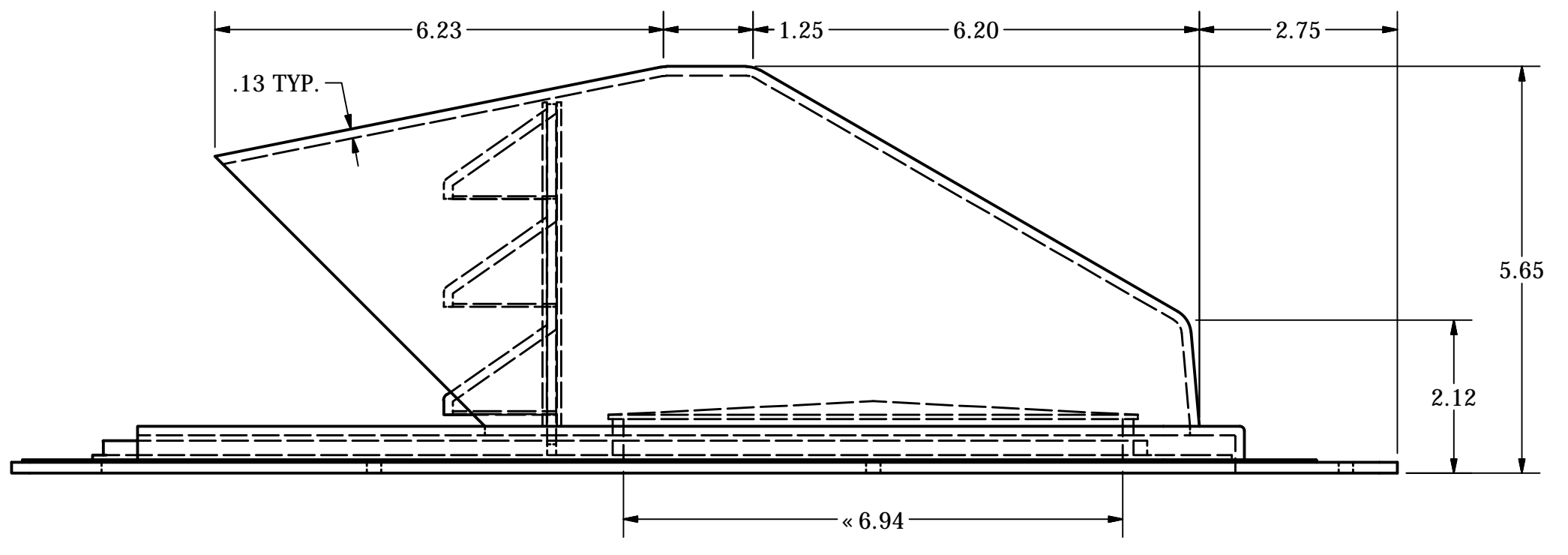
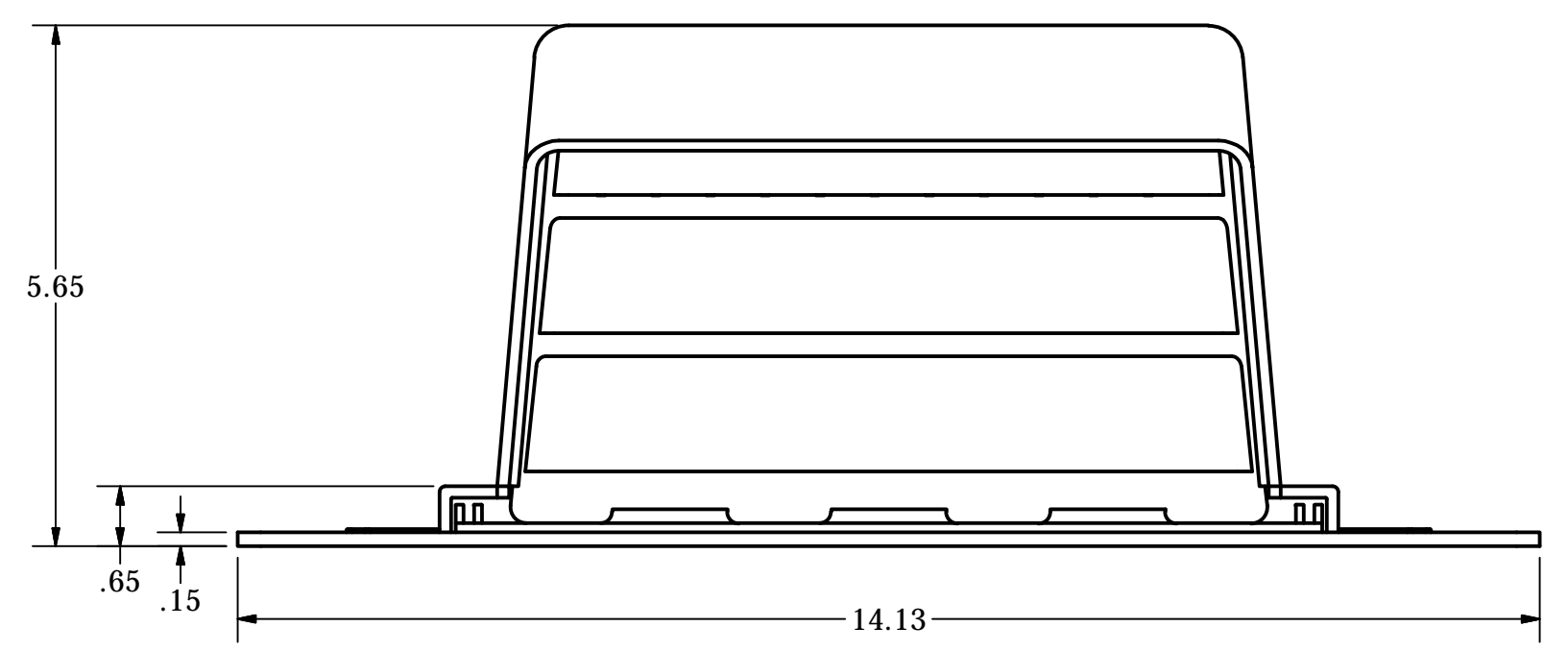
7 INCH ADAPTER



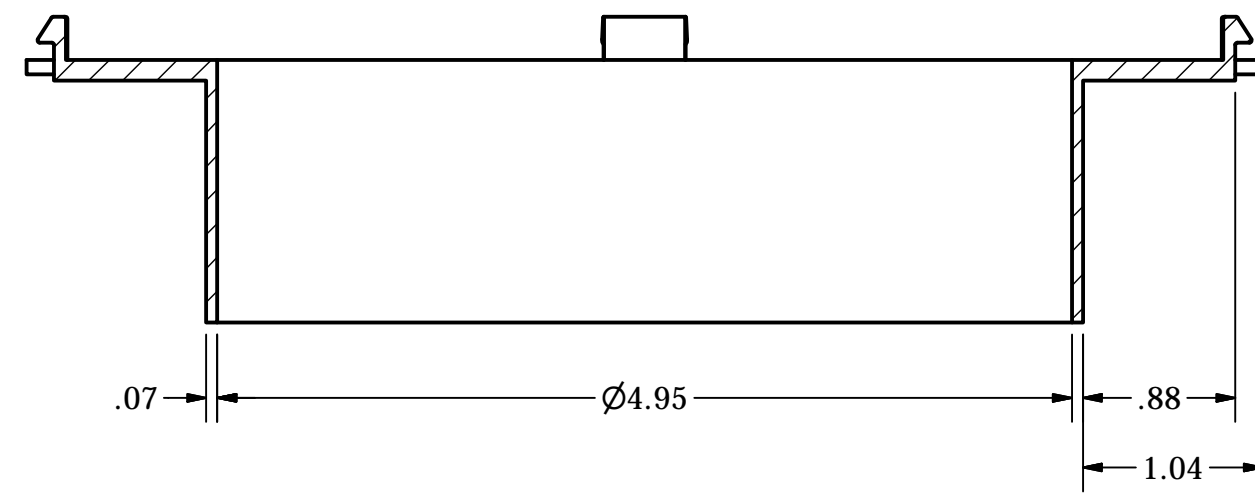
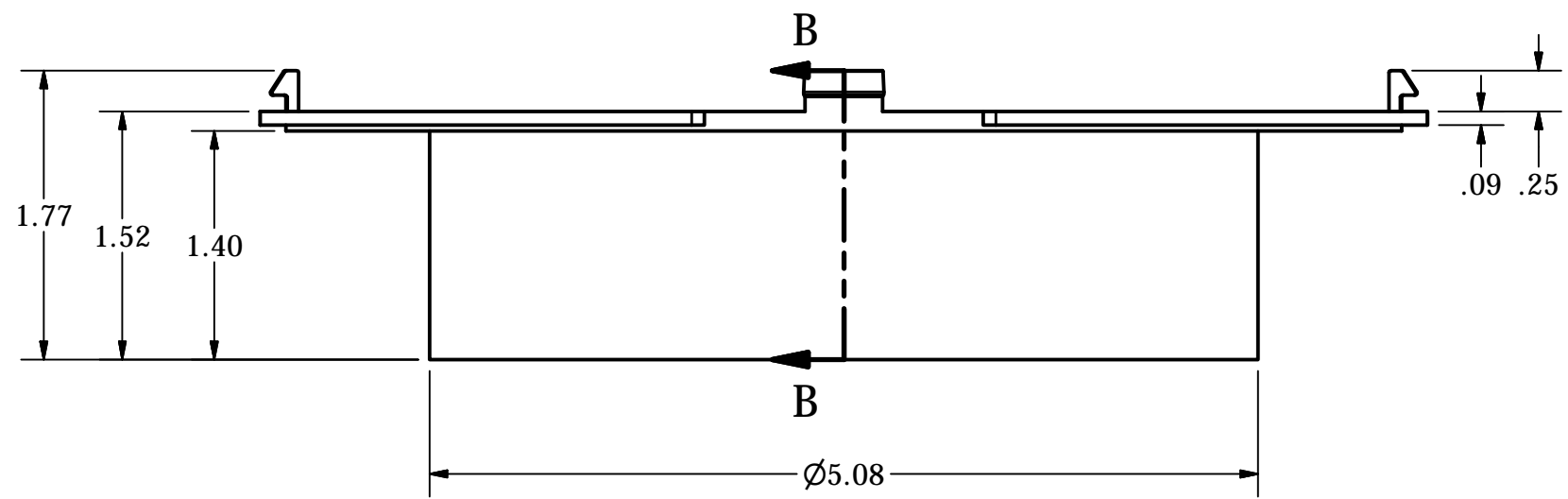
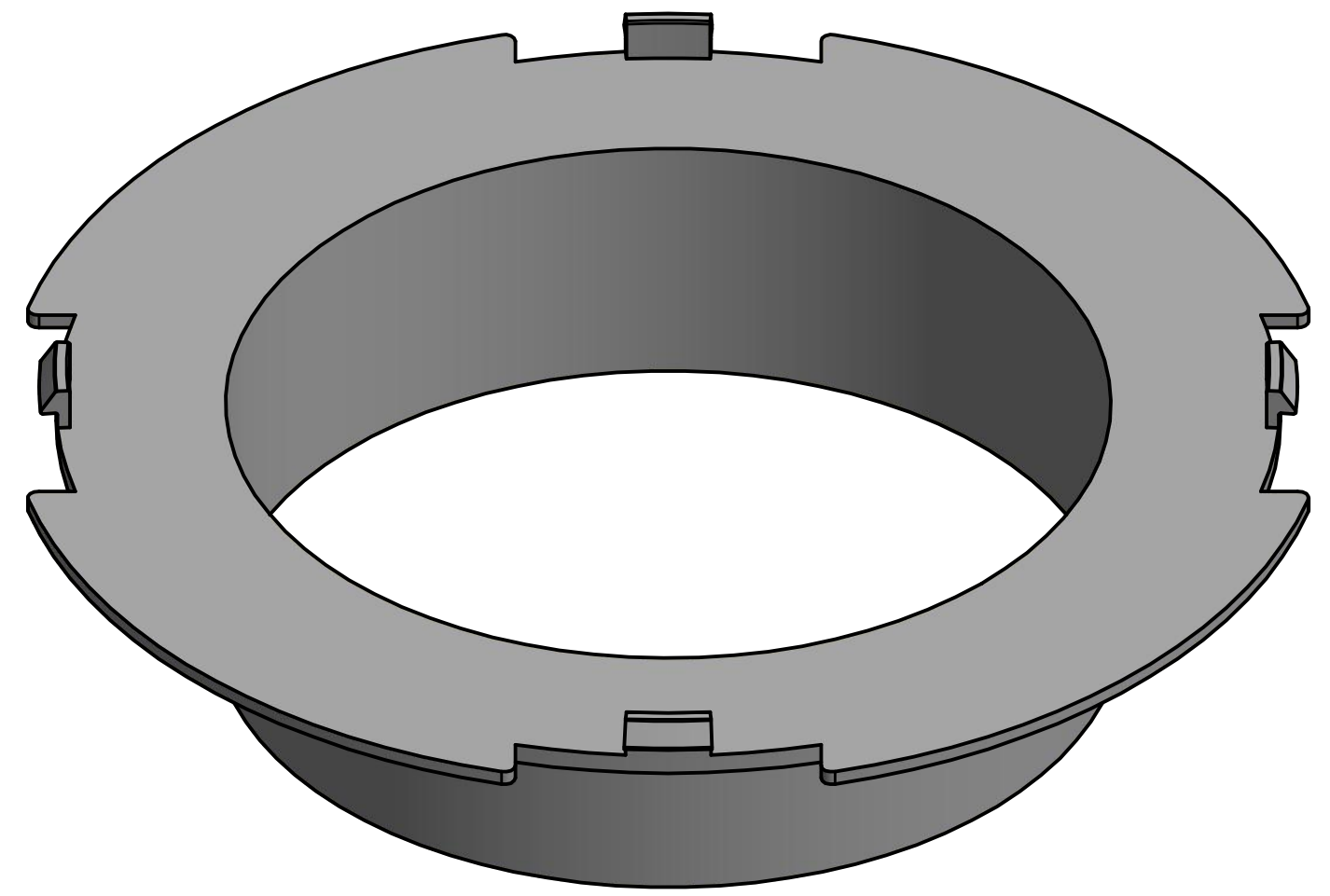
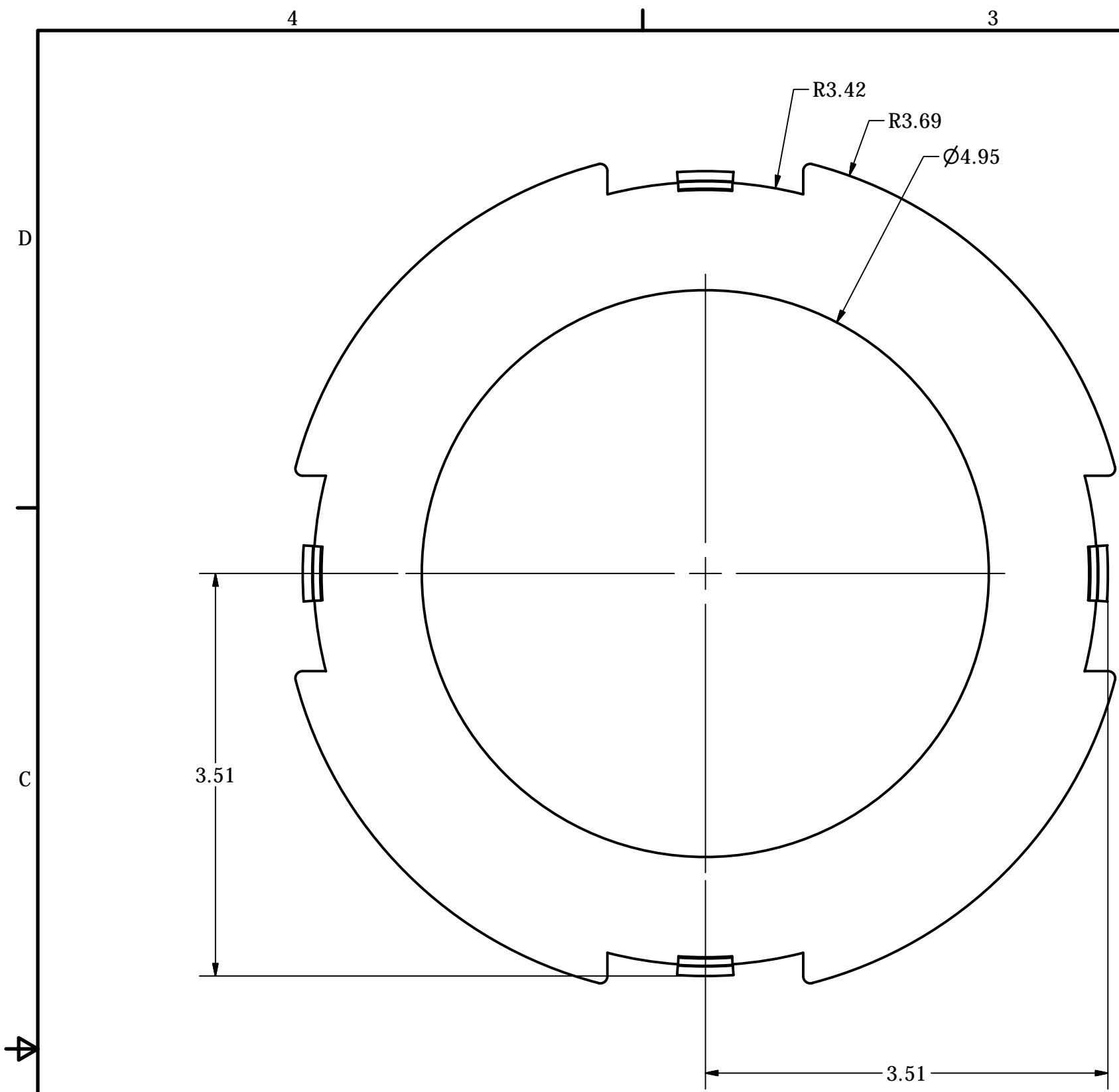
5 INCH ADAPTER



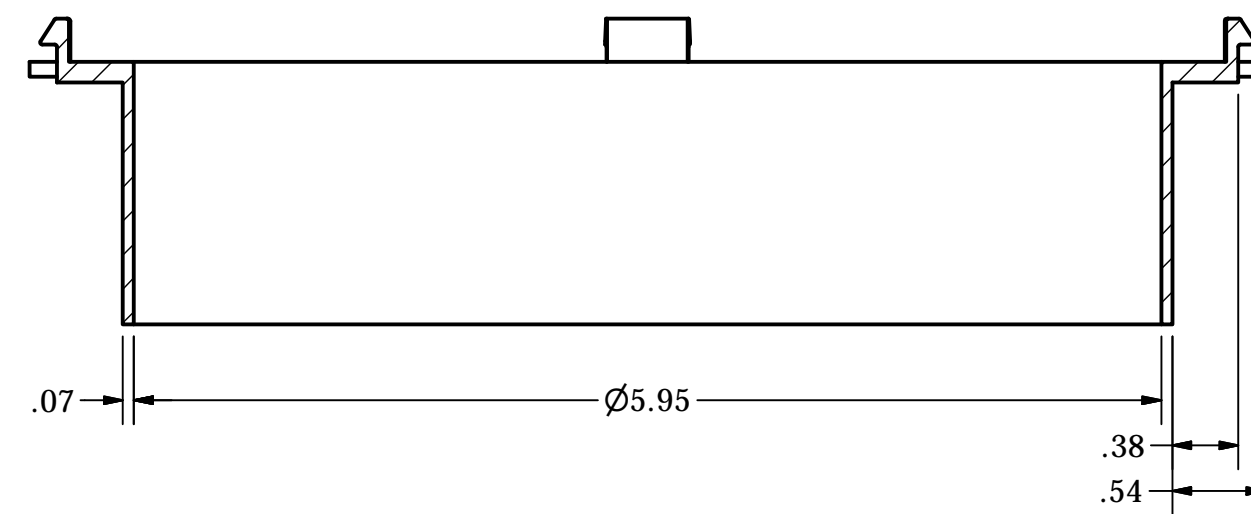
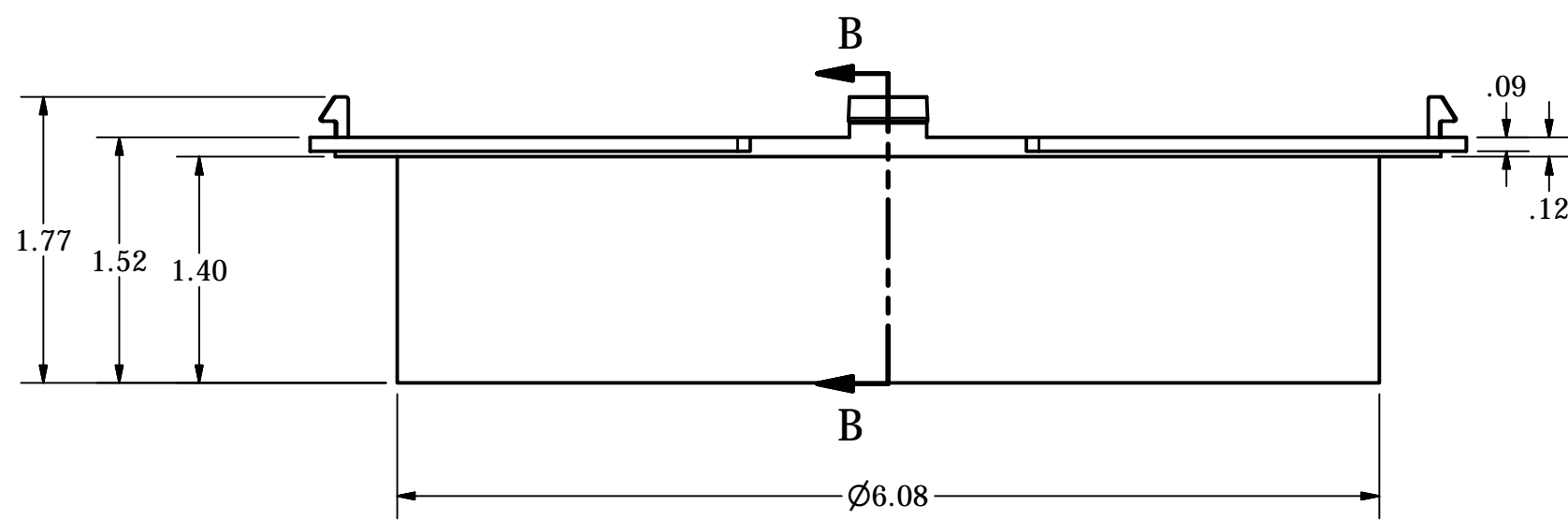
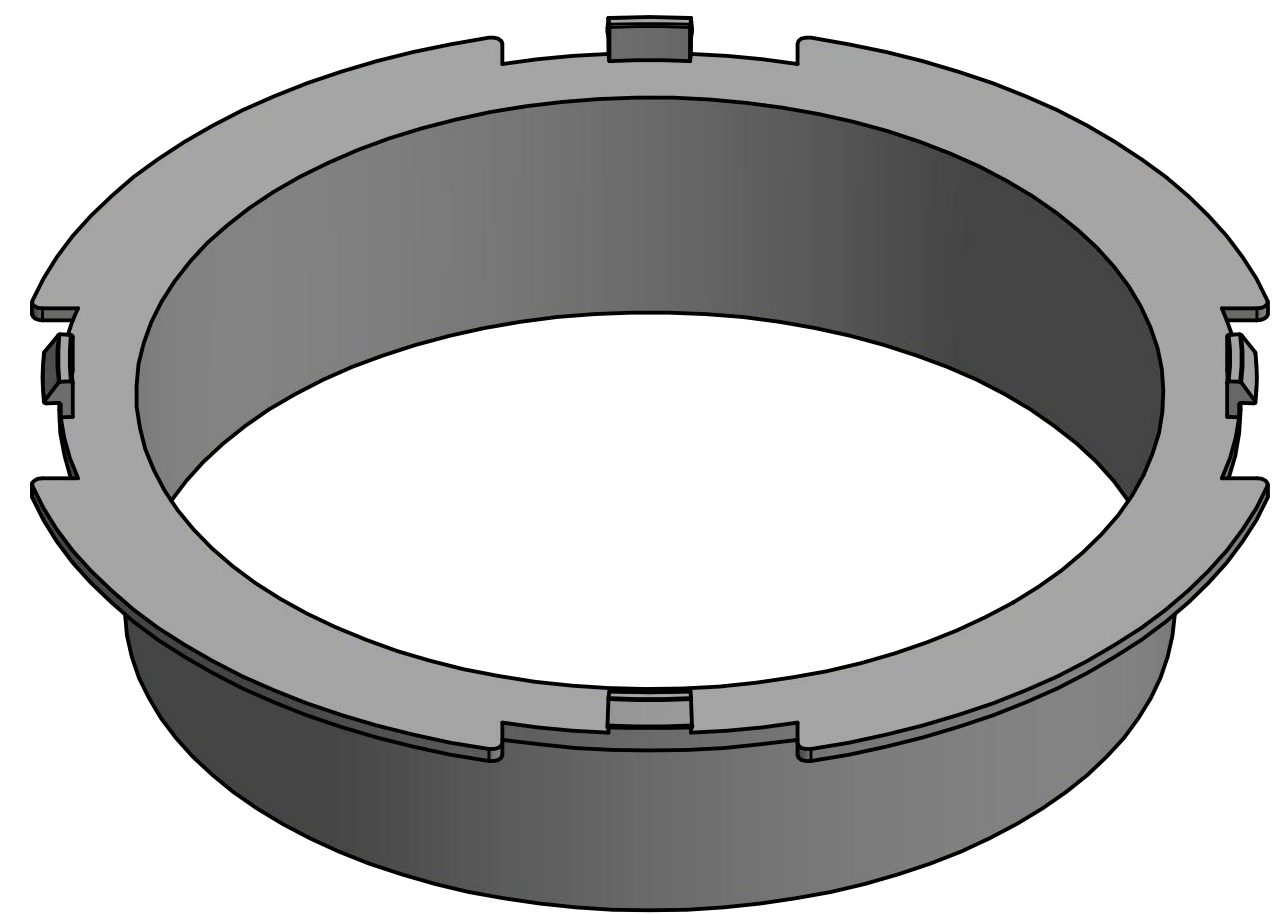
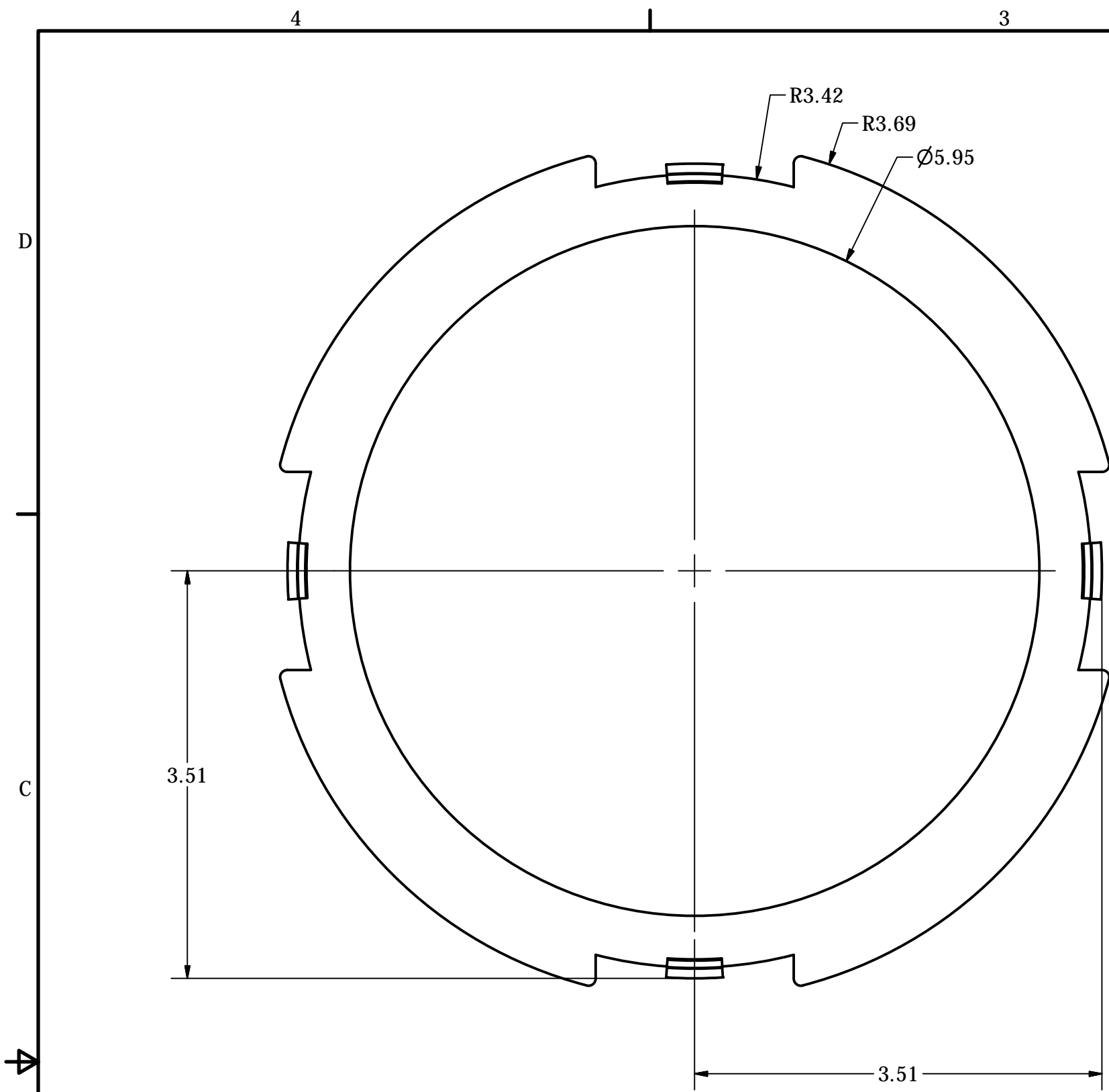
6 INCH ADAPTER



DRAWN	JOSEPH VALENTI	11/28/2014	LAMBRO INDUSTRIES, INC.		
CHECKED			TITLE		
QA			357 ROOF VENT ASSEMBLY		
MFG			SIZE	DWG NO	REV
APPROVED			D	357 ROOF VENT	
			SCALE		SHEET 1 OF 1



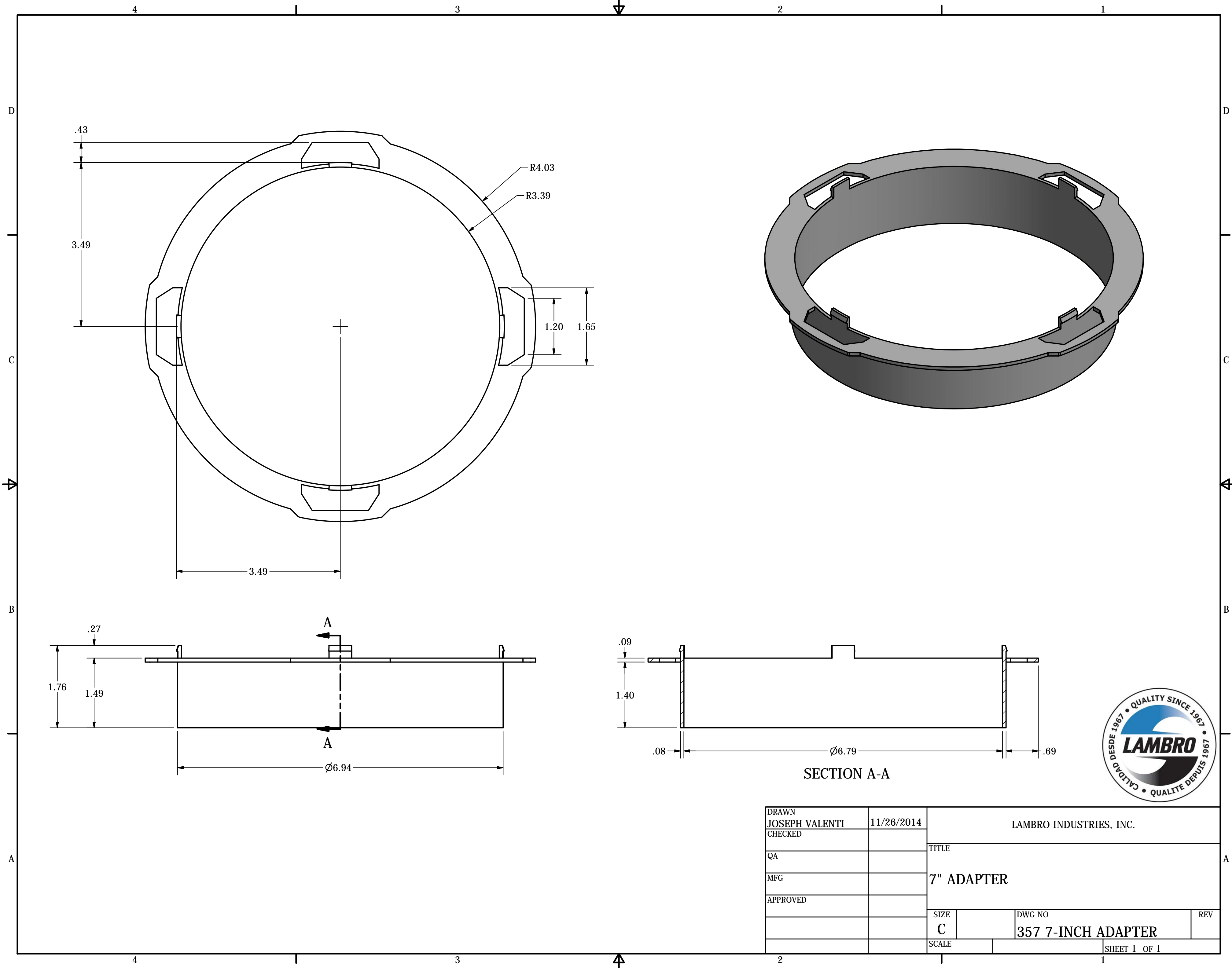
DRAWN	JOSEPH VALENTI	11/26/2014	LAMBRO INDUSTRIES, INC.		
CHECKED			TITLE		
QA			5" ADAPTER		
MFG			SIZE	DWG NO	REV
APPROVED			C	357 5-INCH ADAPTER	
			SCALE	SHEET 1 OF 1	



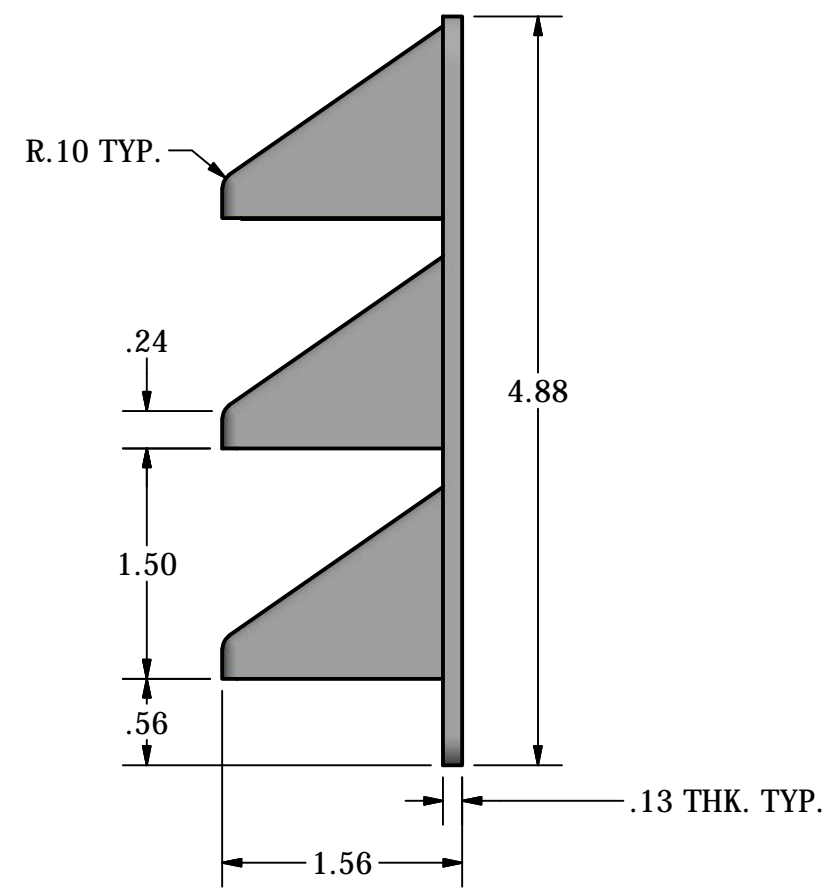
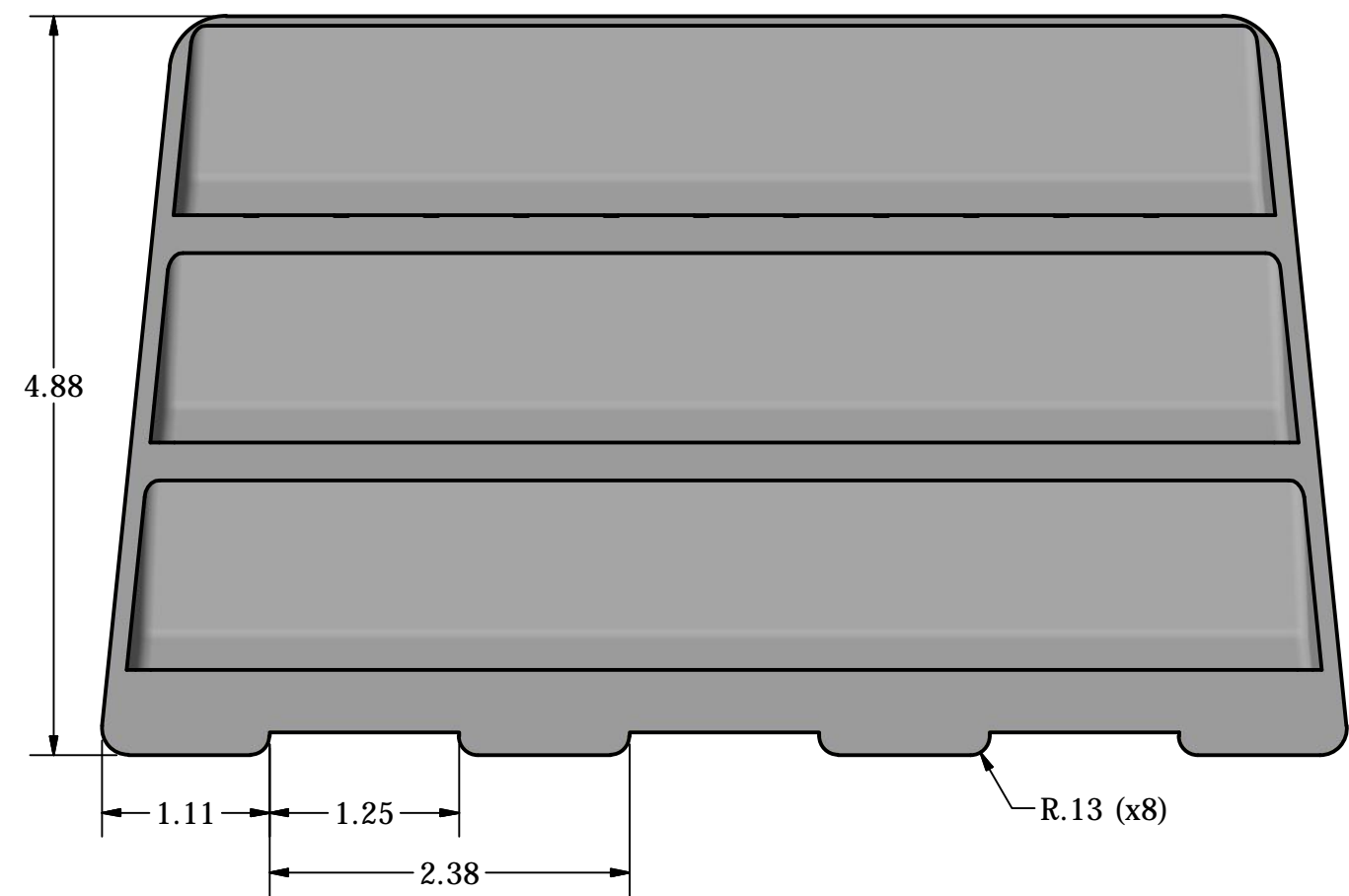
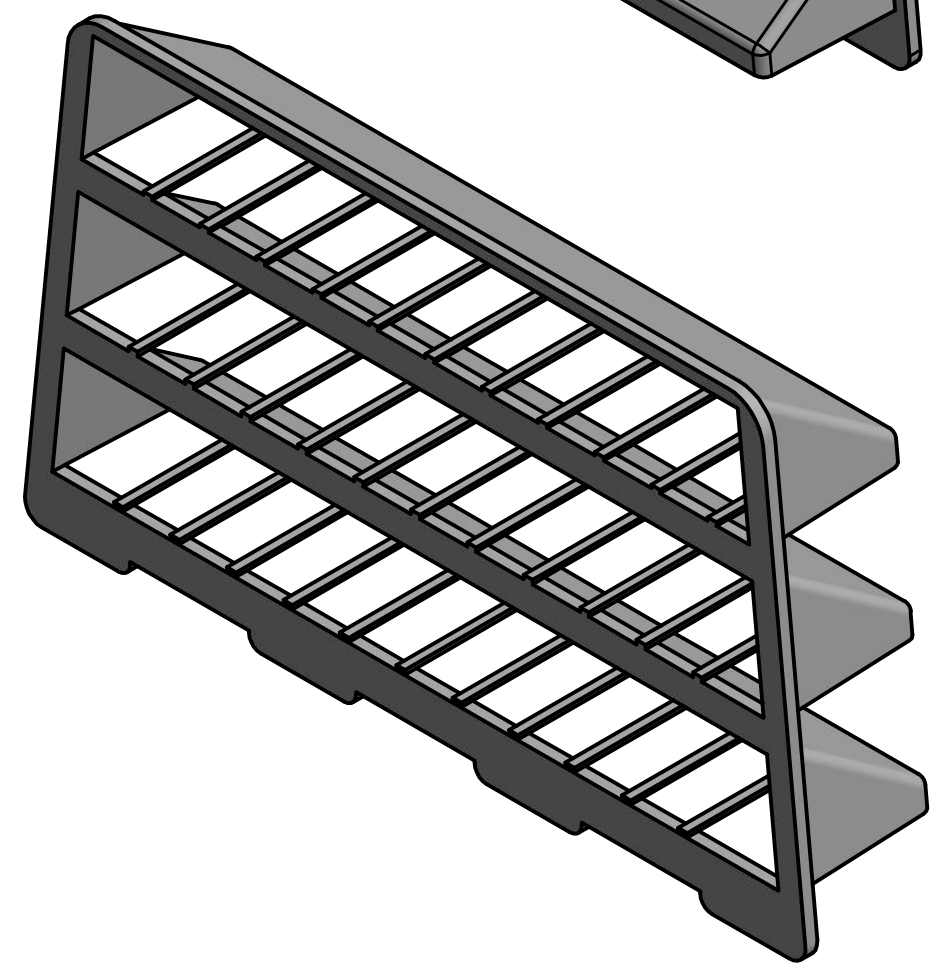
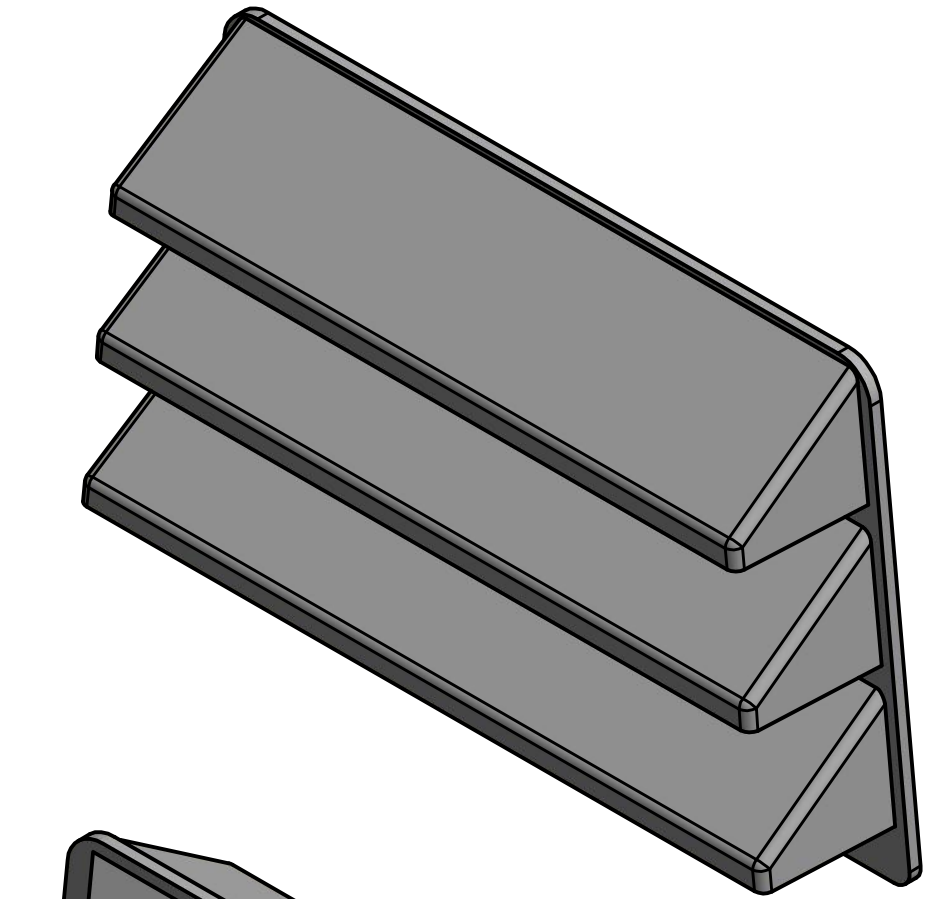
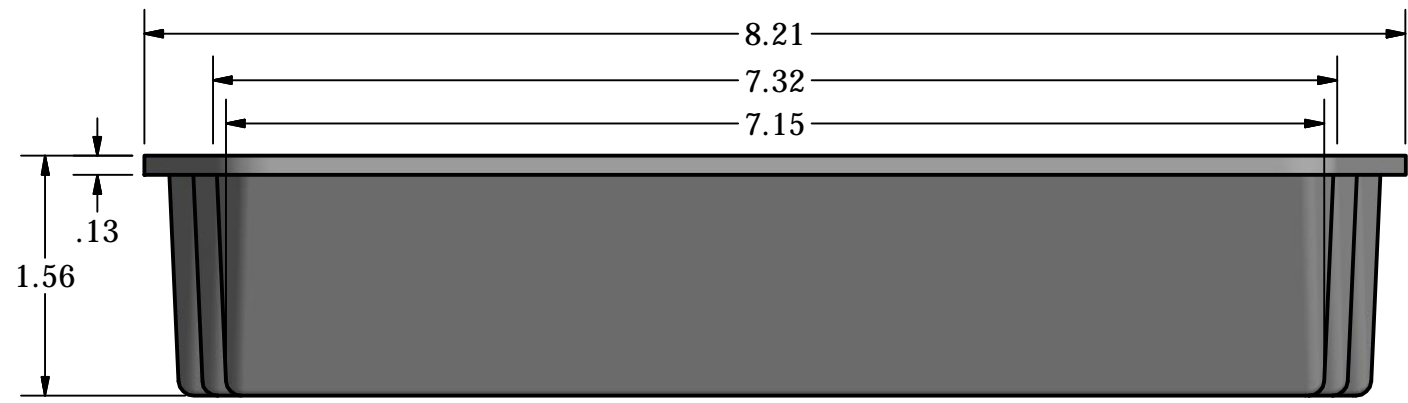
SECTION B-B



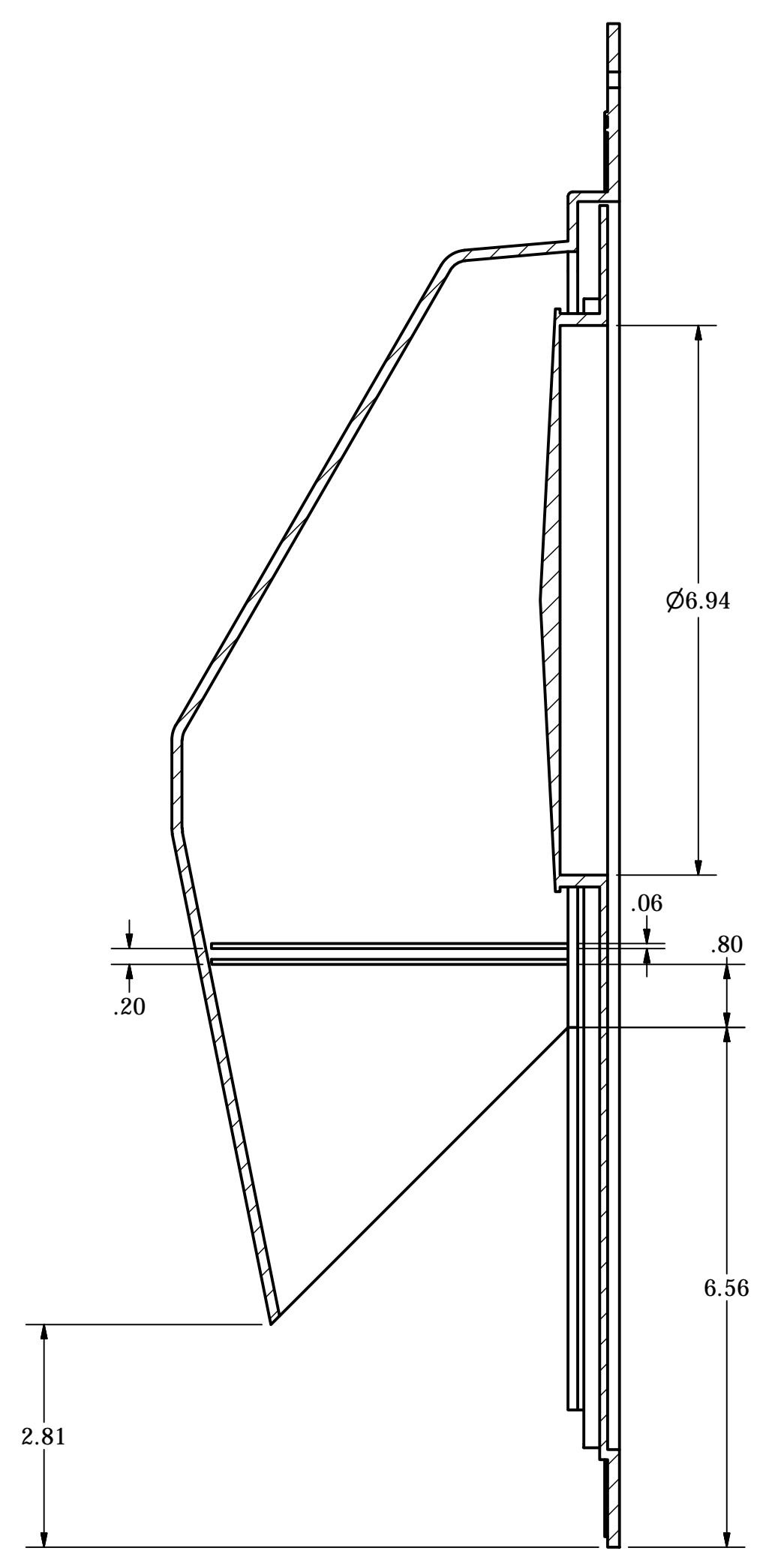
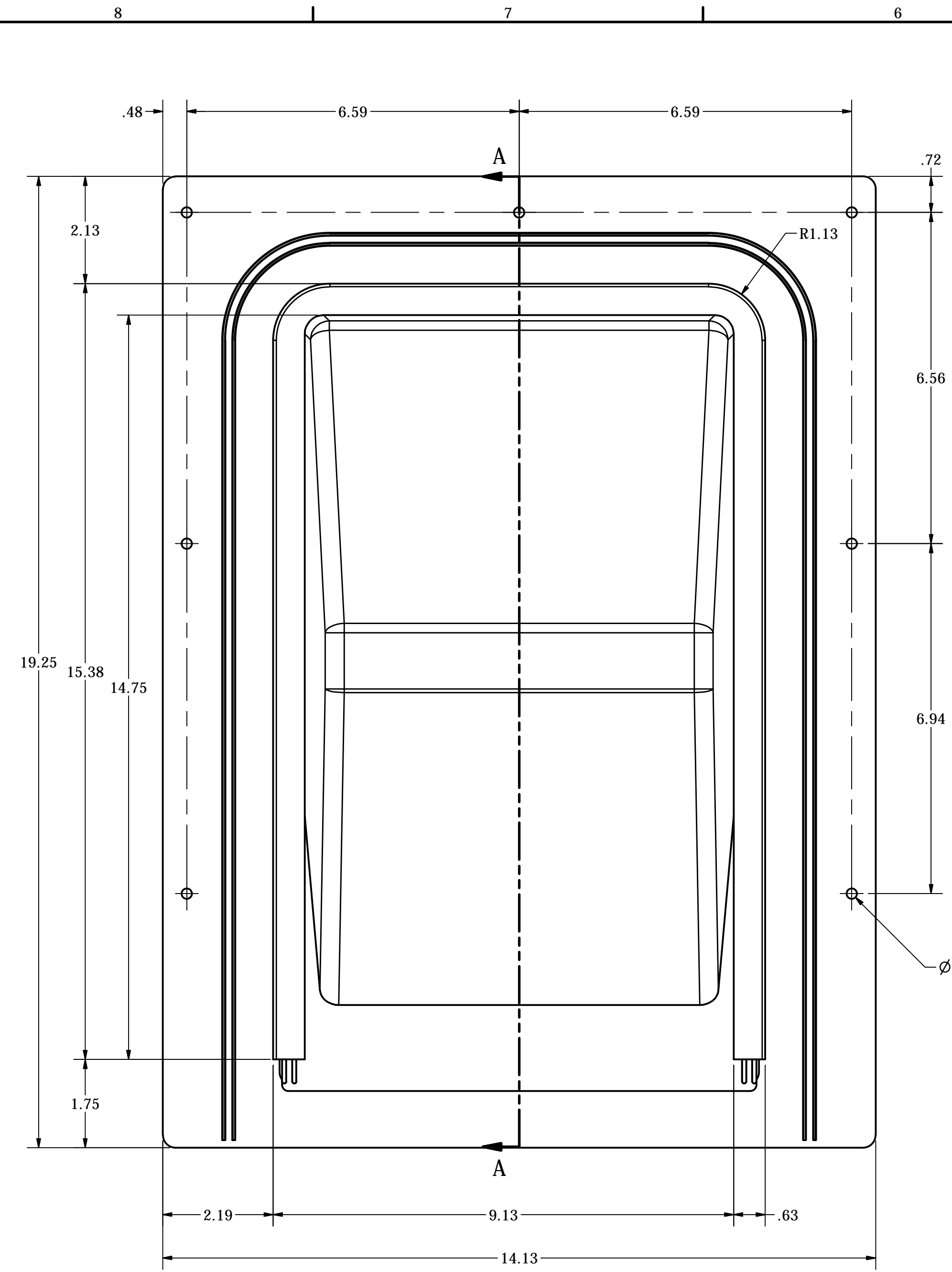
DRAWN JOSEPH VALENTI	11/26/2014	LAMBRO INDUSTRIES, INC.		
CHECKED		TITLE		
QA		6" ADAPTER		
MFG		SIZE	DWG NO	REV
APPROVED		C	358 6-INCH ADAPTER	
		SCALE	SHEET 1 OF 1	



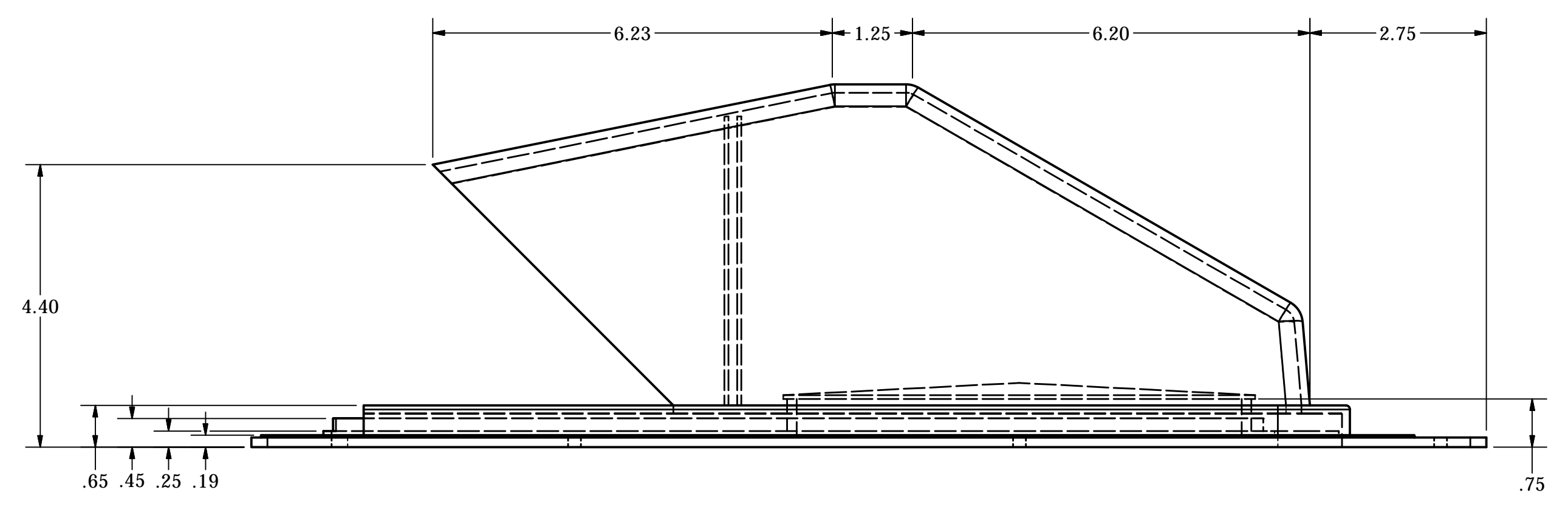
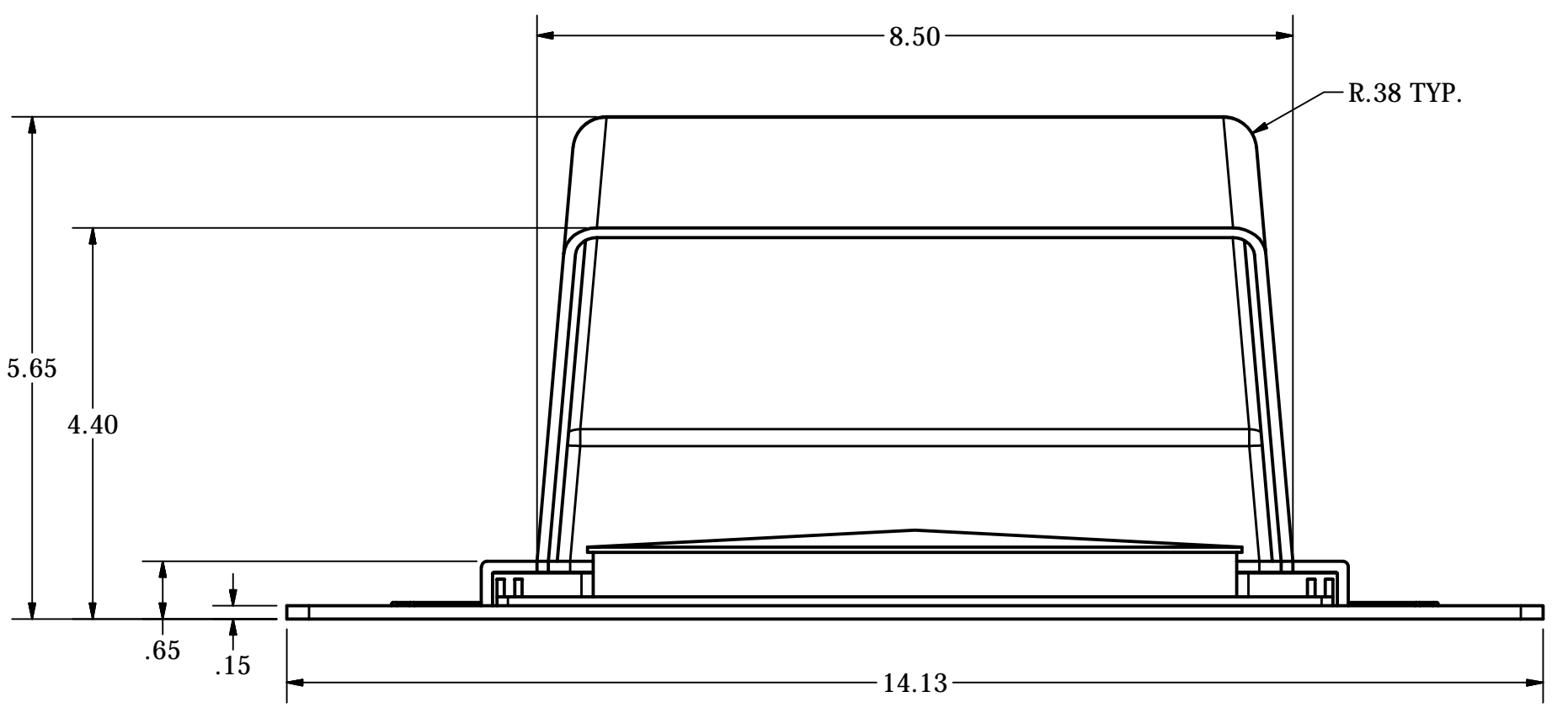
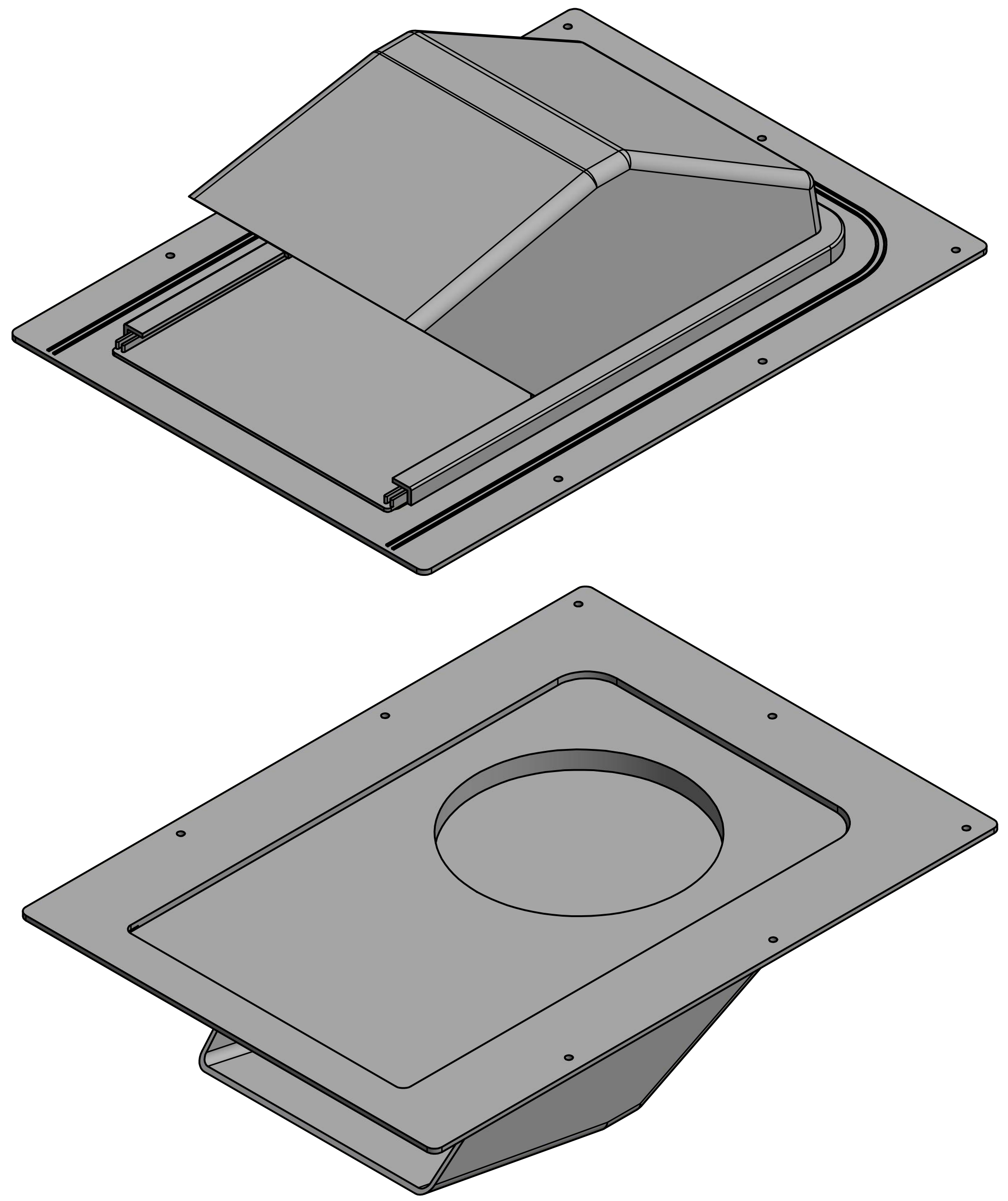
DRAWN JOSEPH VALENTI	11/26/2014	LAMBRO INDUSTRIES, INC.		
CHECKED		TITLE		
QA		7" ADAPTER		
MFG		SIZE	DWG NO	REV
APPROVED		C	357 7-INCH ADAPTER	
		SCALE	SHEET 1 OF 1	



DRAWN JOSEPH VALENTI		11/28/2014		LAMBRO INDUSTRIES, INC.	
CHECKED				TITLE	
QA				FRONT GRILLE	
MFG				SIZE C	
APPROVED				DWG NO 357 GRILLE	
				REV	
				SCALE	
				SHEET 1 OF 1	



SECTION A-A



DRAWN	JOSEPH VALENTI	11/26/2014	LAMBRO INDUSTRIES, INC.		
CHECKED			TITLE		
QA			BASE		
MFG			SIZE	DWG NO	REV
APPROVED			D	358 ROOF VENT	
			SCALE		SHEET 1 OF 1