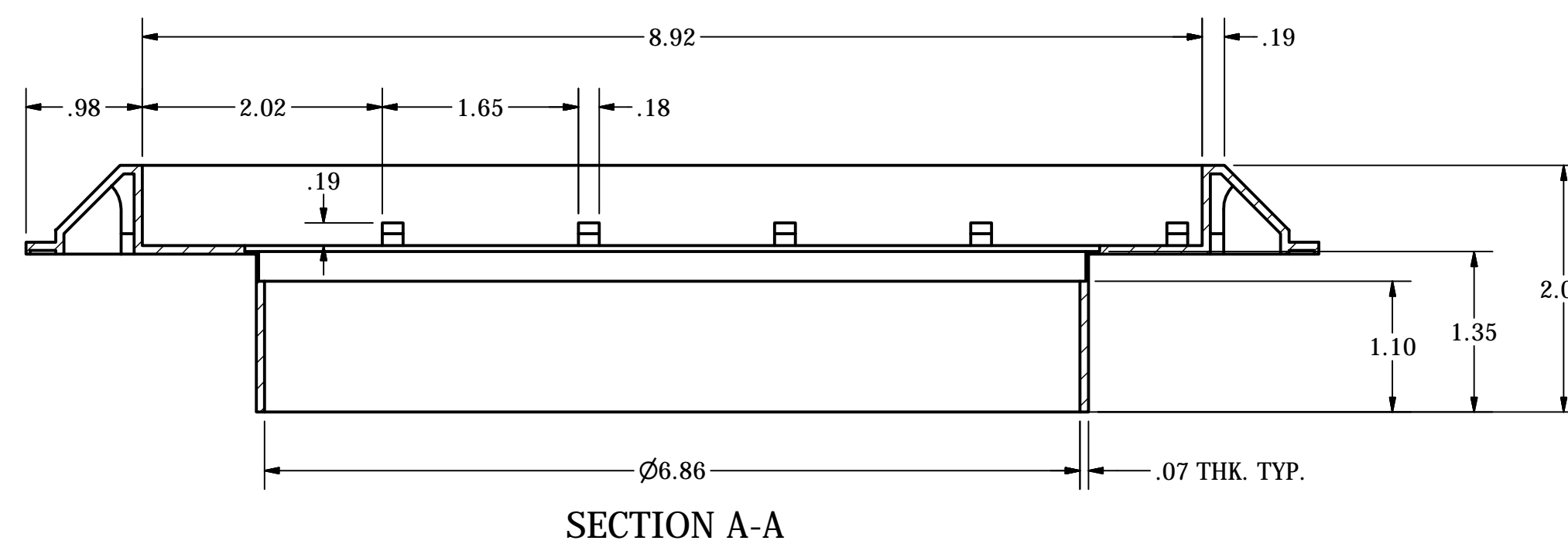
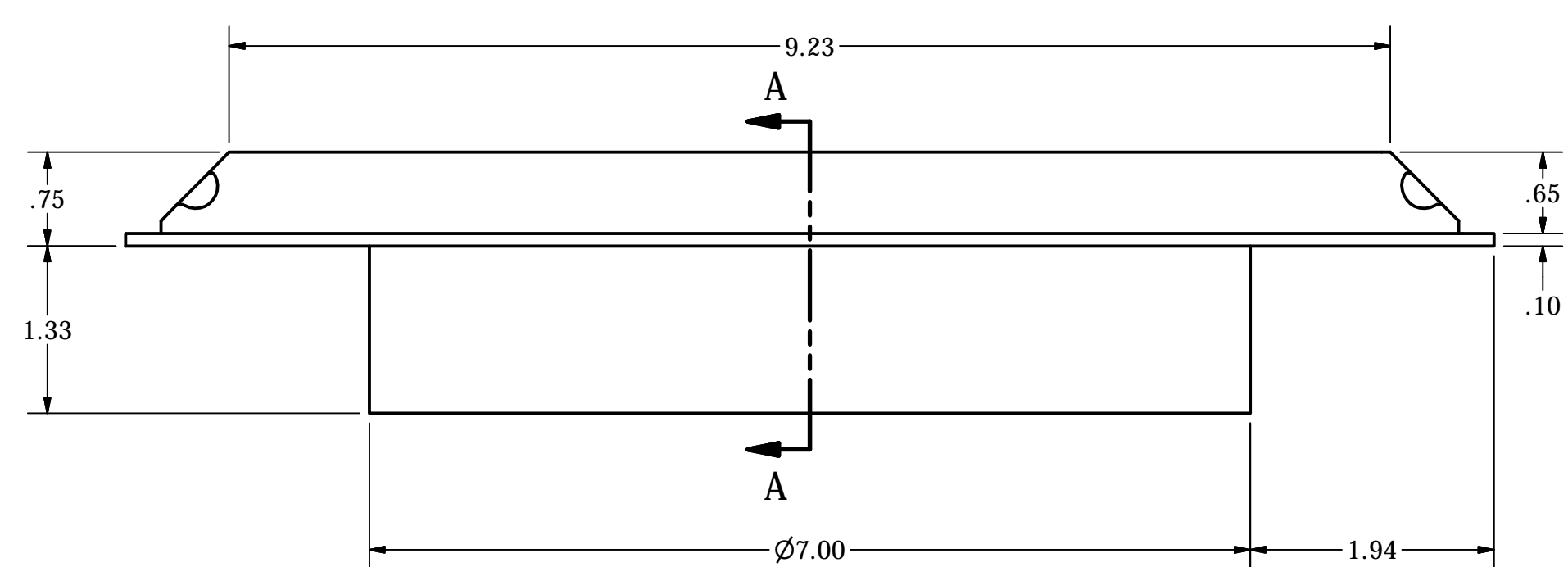
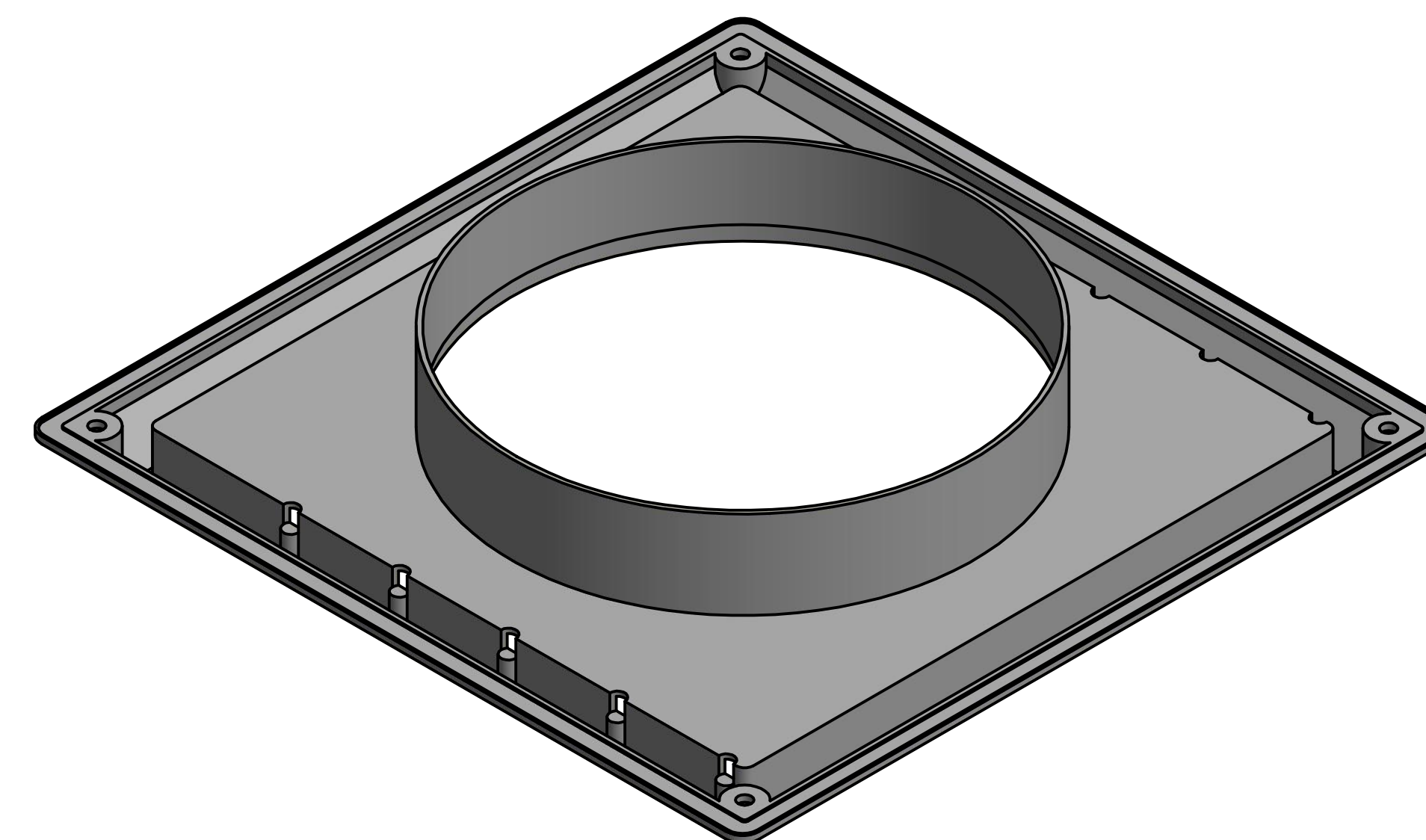
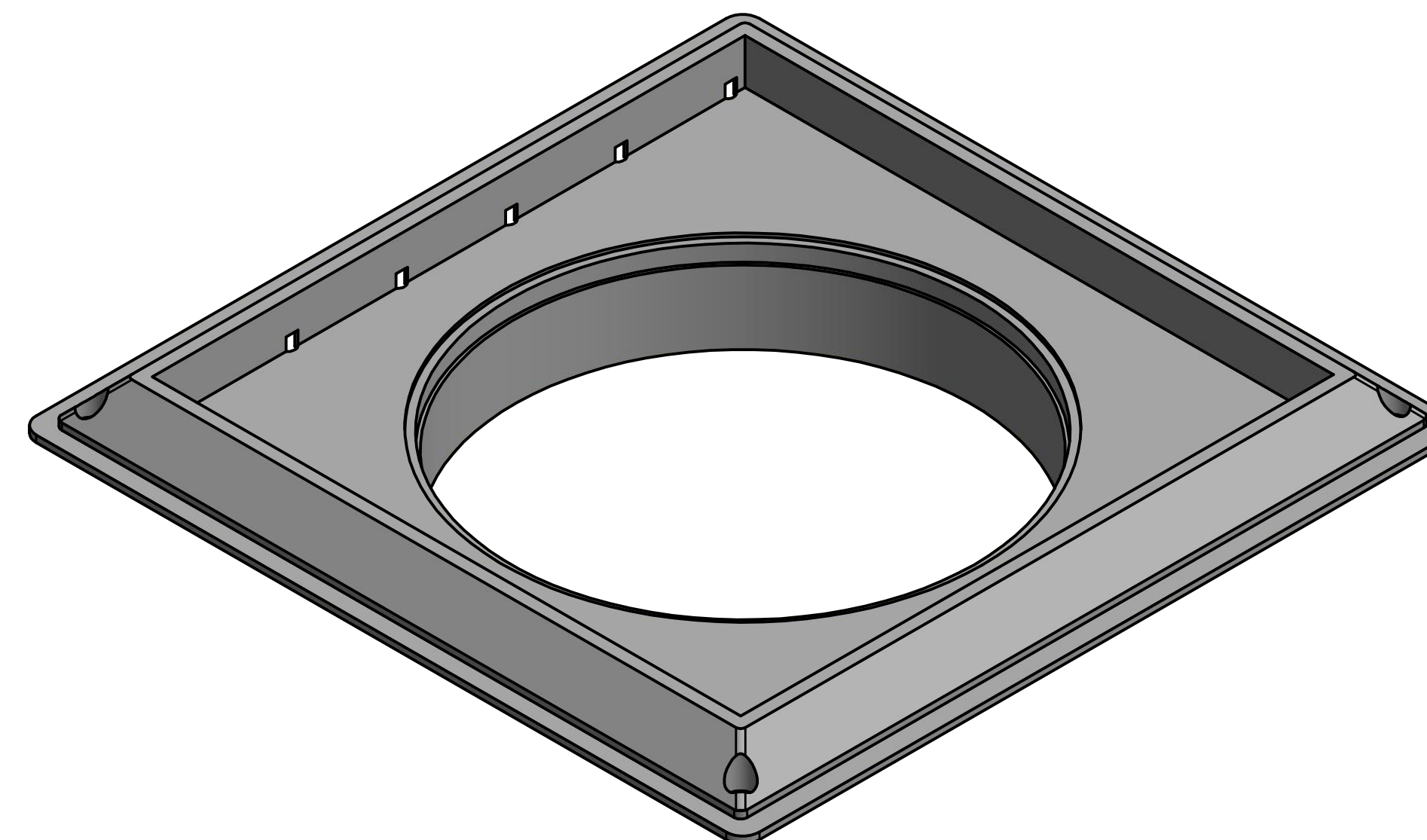
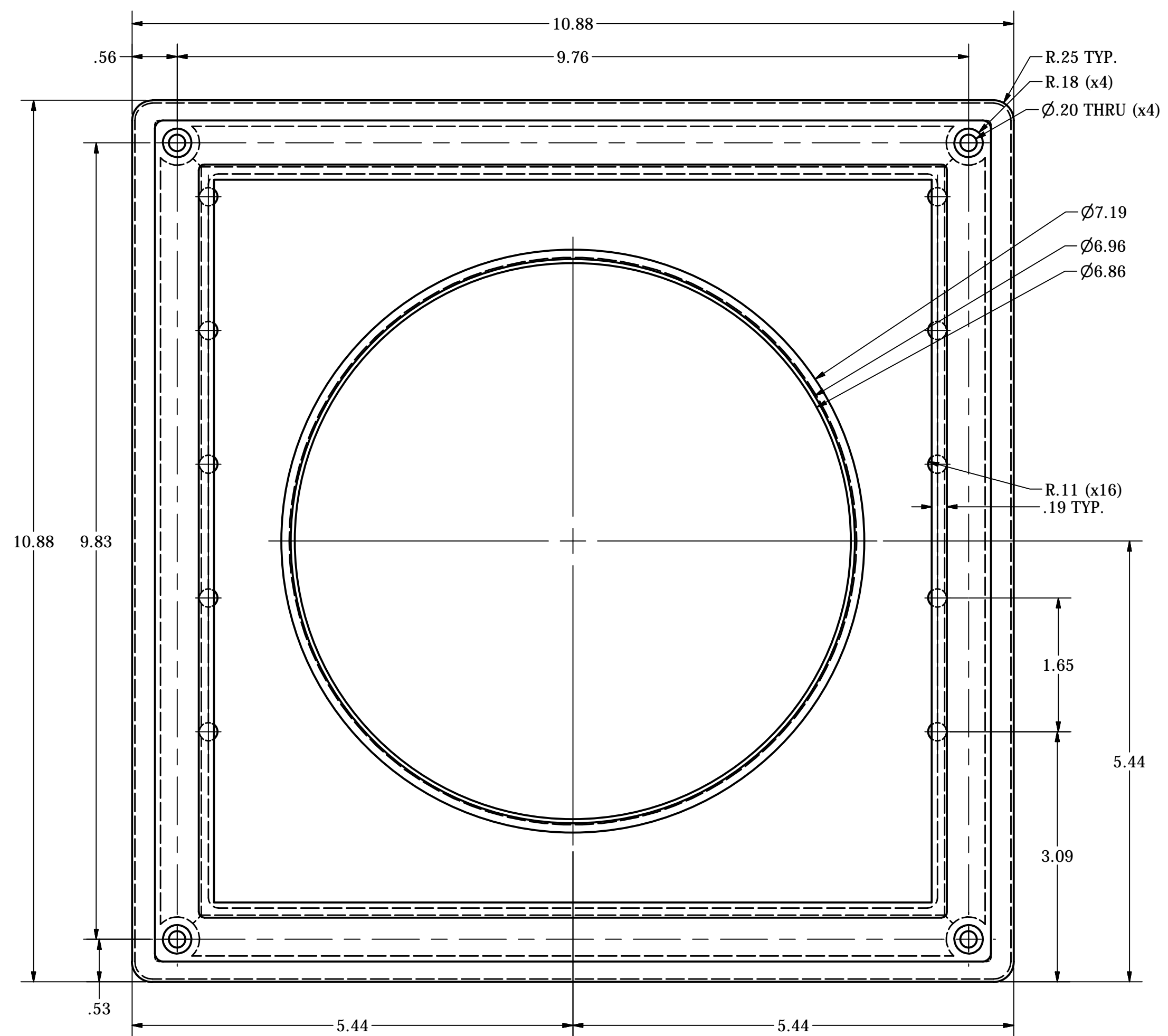
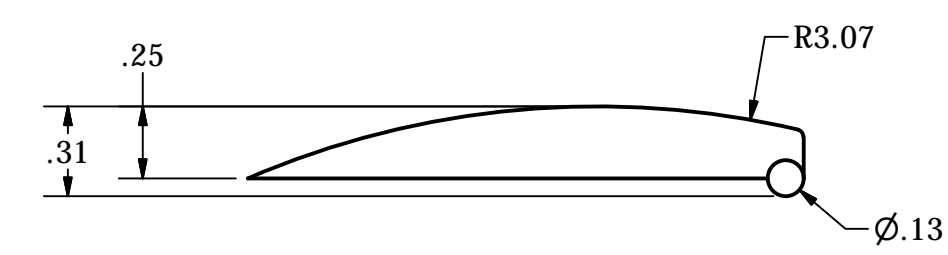
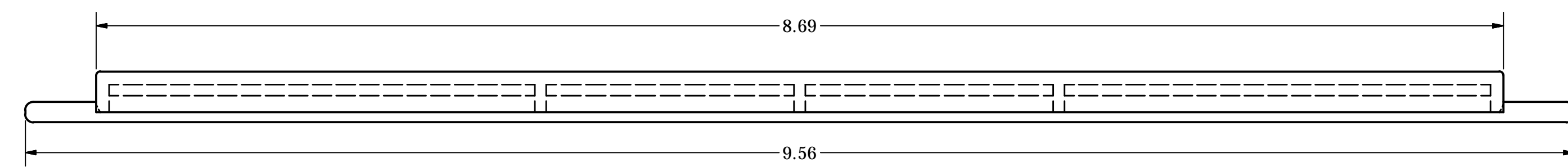
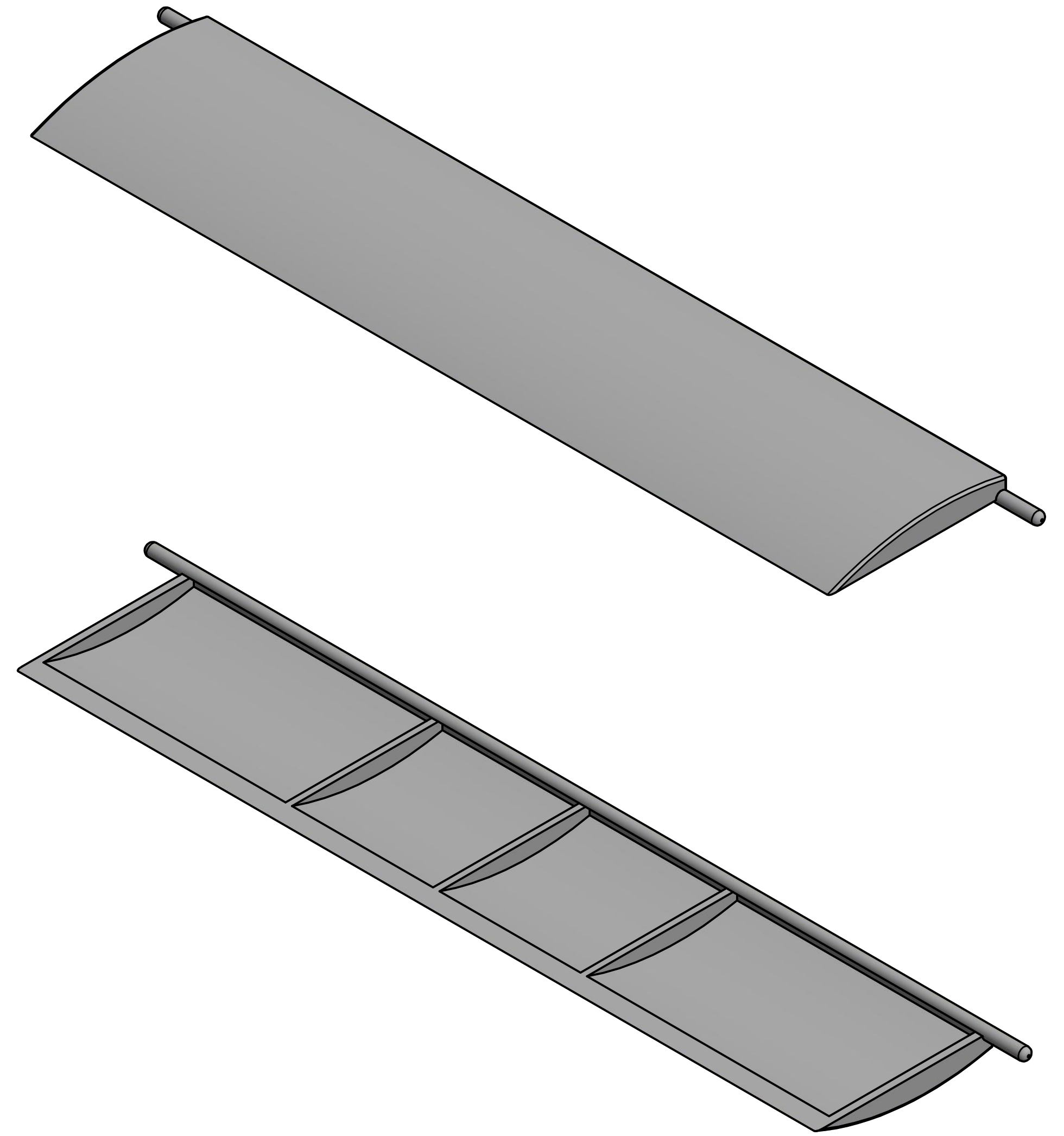
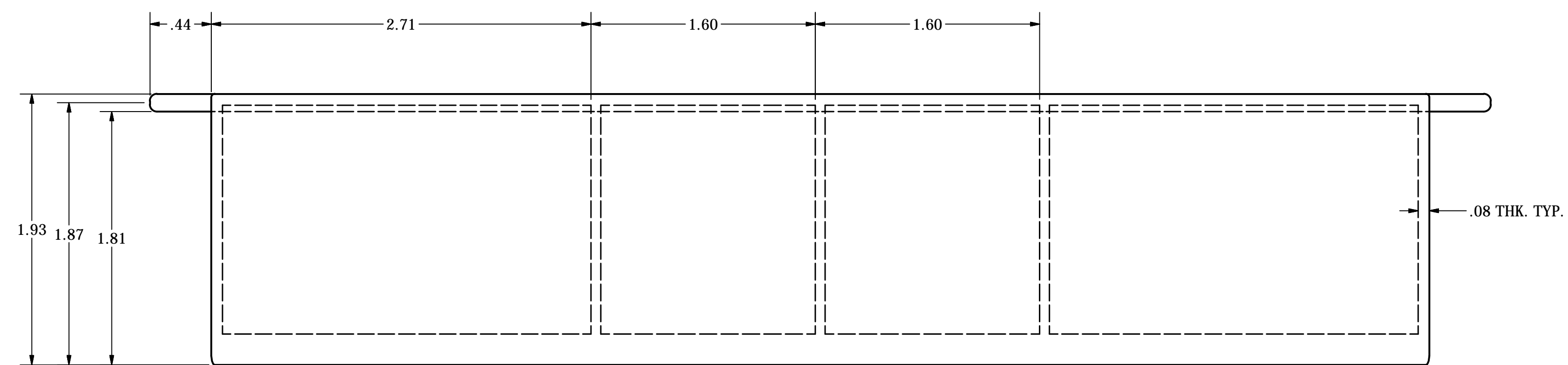


DRAWN	JOSEPH VALENTI	10/14/2014	LAMBRO INDUSTRIES, INC.		
CHECKED			TITLE		
QA			LARGE VENT ASSEMBLY		
MFG			SIZE	DWG NO	REV
APPROVED			D	LARGE VENT ASSEMBLY	
			SCALE		SHEET 1 OF 1



DRAWN JOSEPH VALENTI	10/14/2014	LAMBRO INDUSTRIES, INC.		
CHECKED		TITLE		
QA		LARGE VENT BASE		
MFG		SIZE	DWG NO	REV
APPROVED		D	BASE	
		SCALE		SHEET 1 OF 1



DRAWN JOSEPH VALENTI	10/14/2014	LAMBRO INDUSTRIES, INC.		
CHECKED		TITLE		
QA		LARGE VENT FLAP		
MFG		SIZE	DWG NO	REV
APPROVED		D	VENT FLAP	
		SCALE	SHEET 1 OF 1	