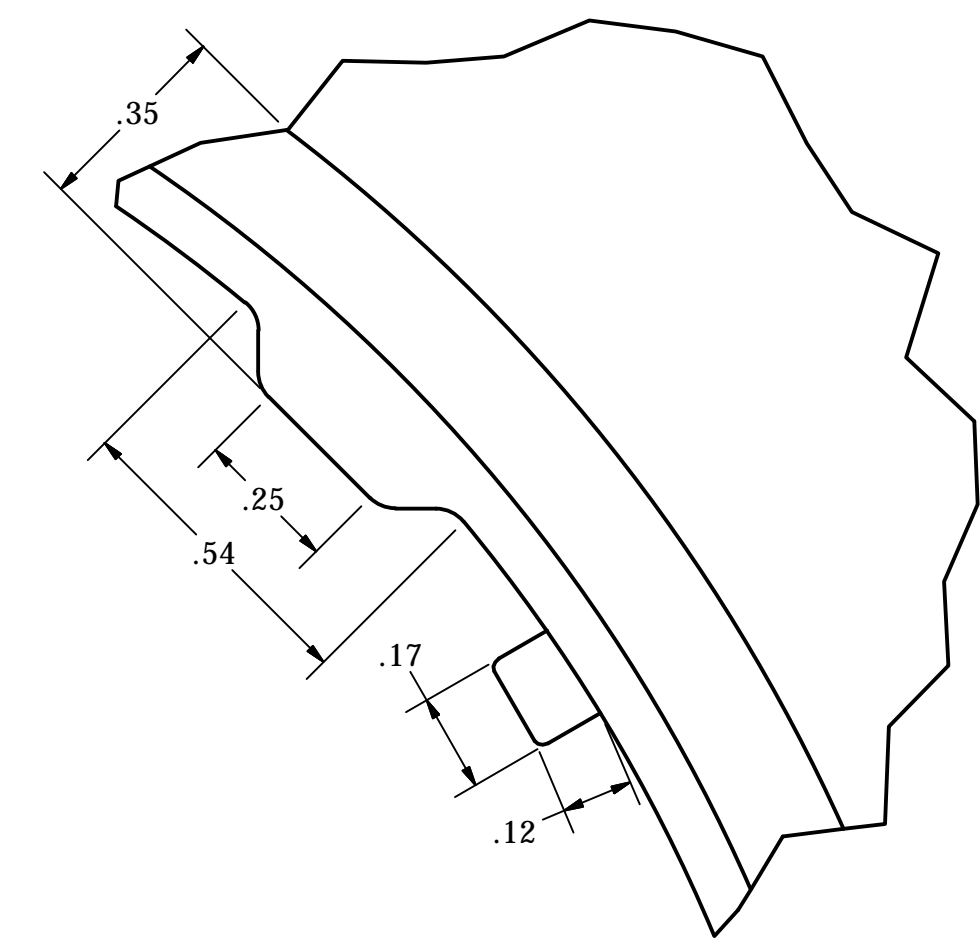
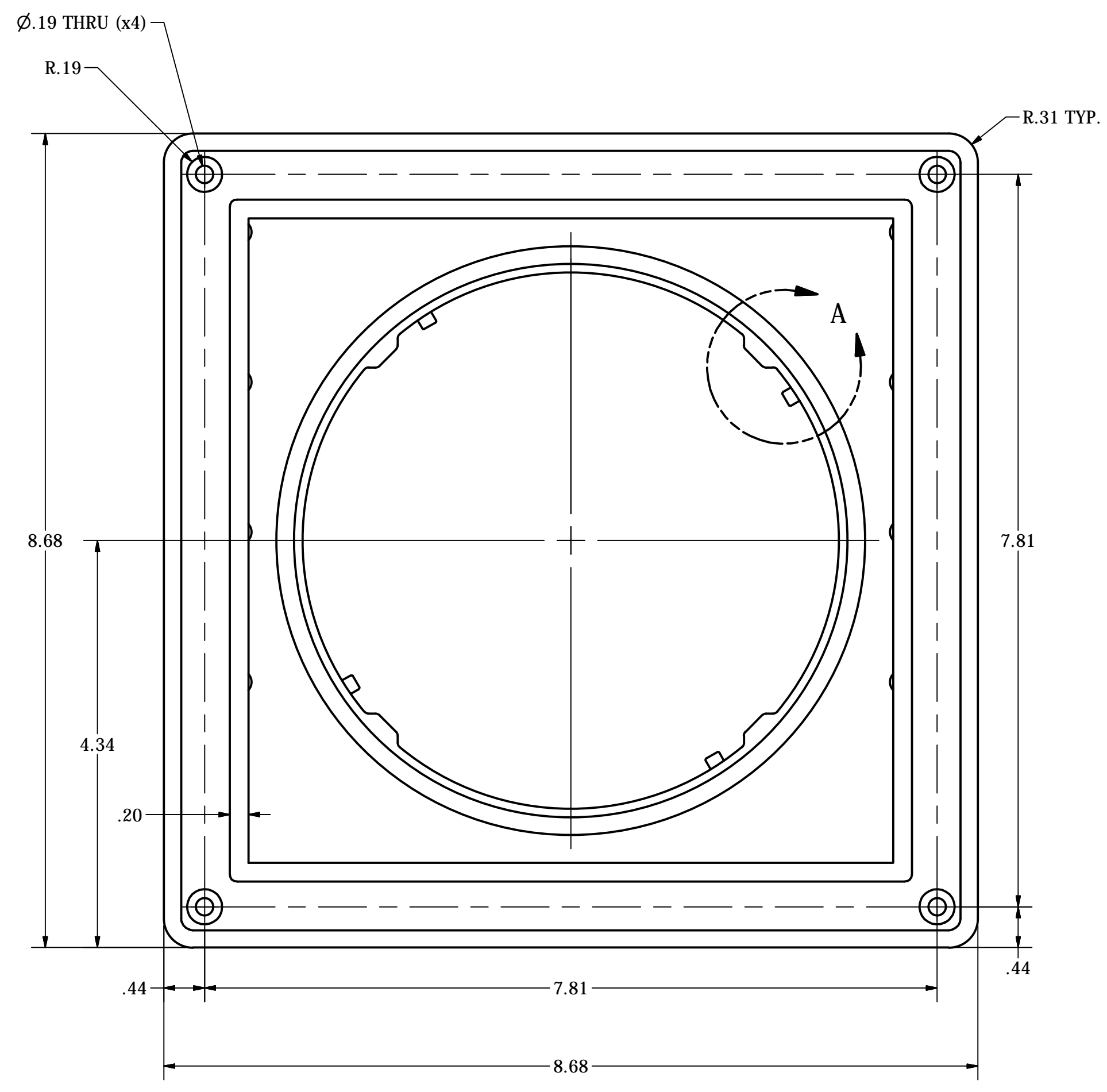
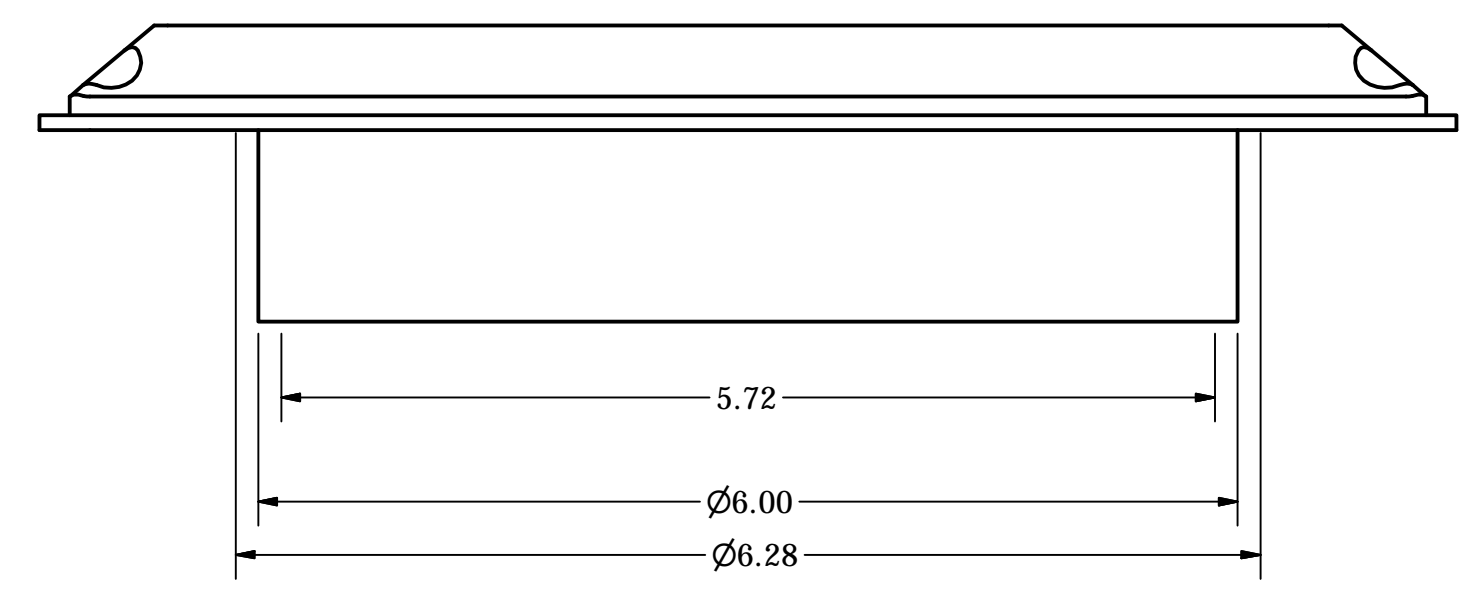
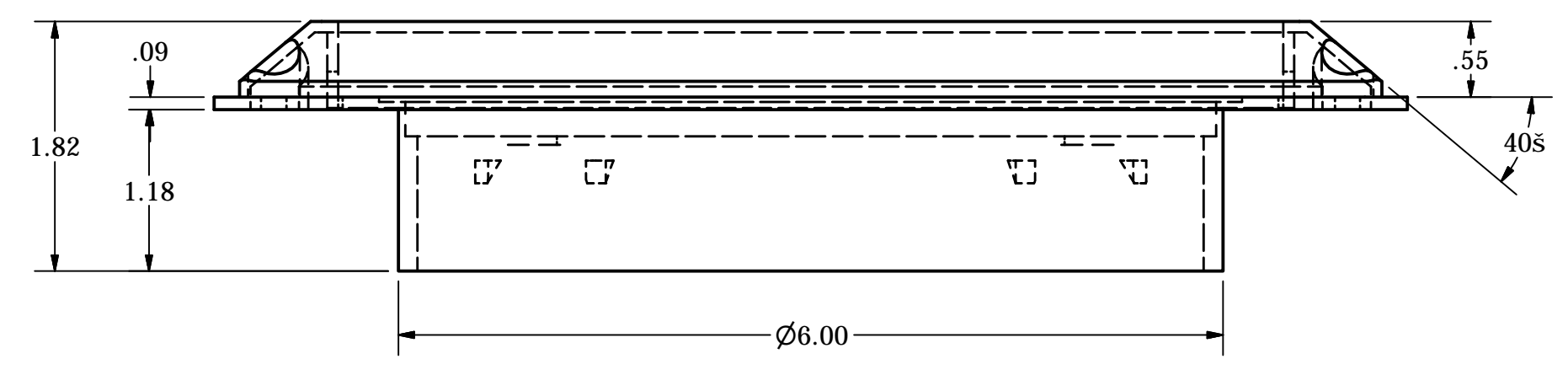
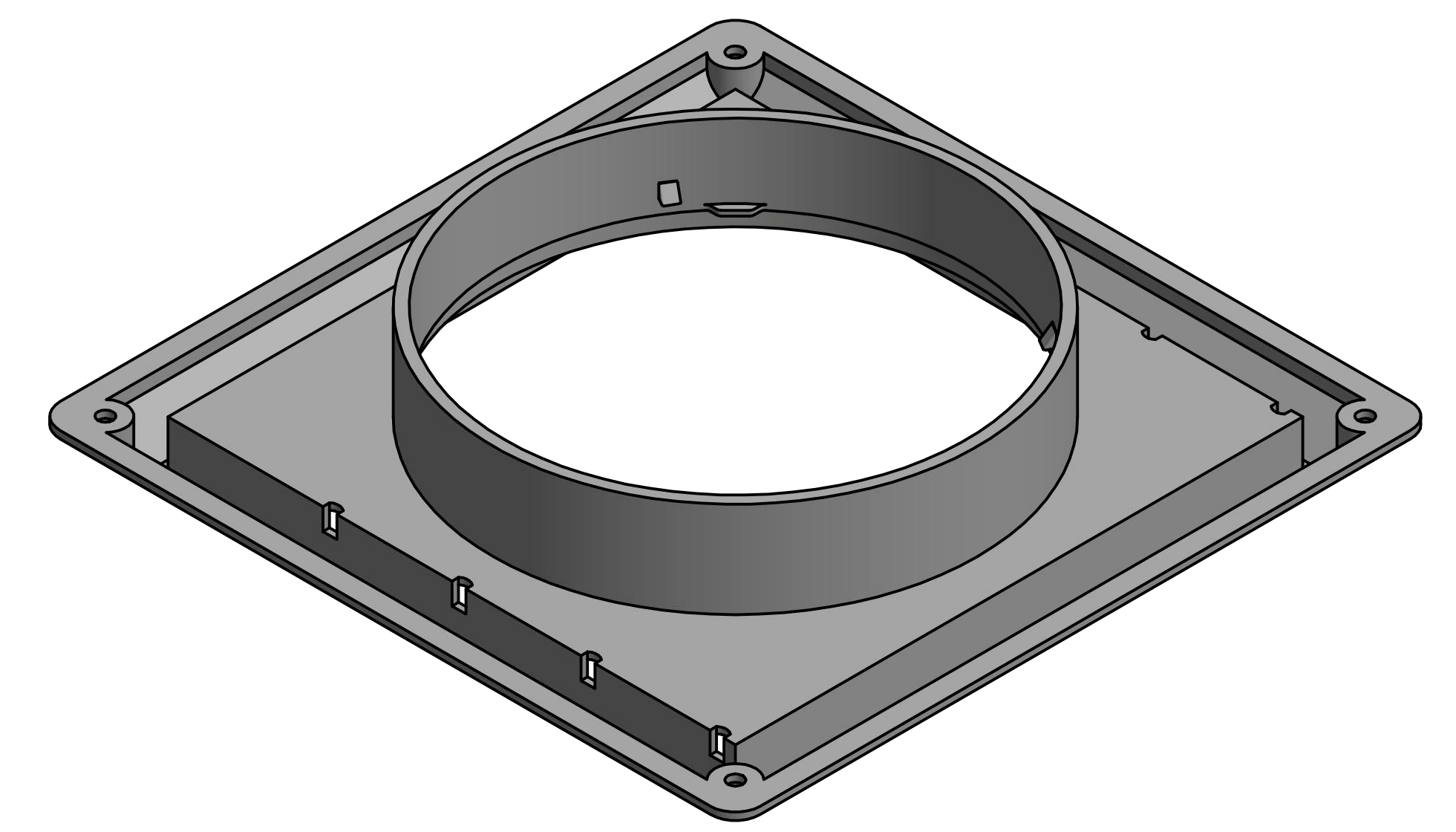
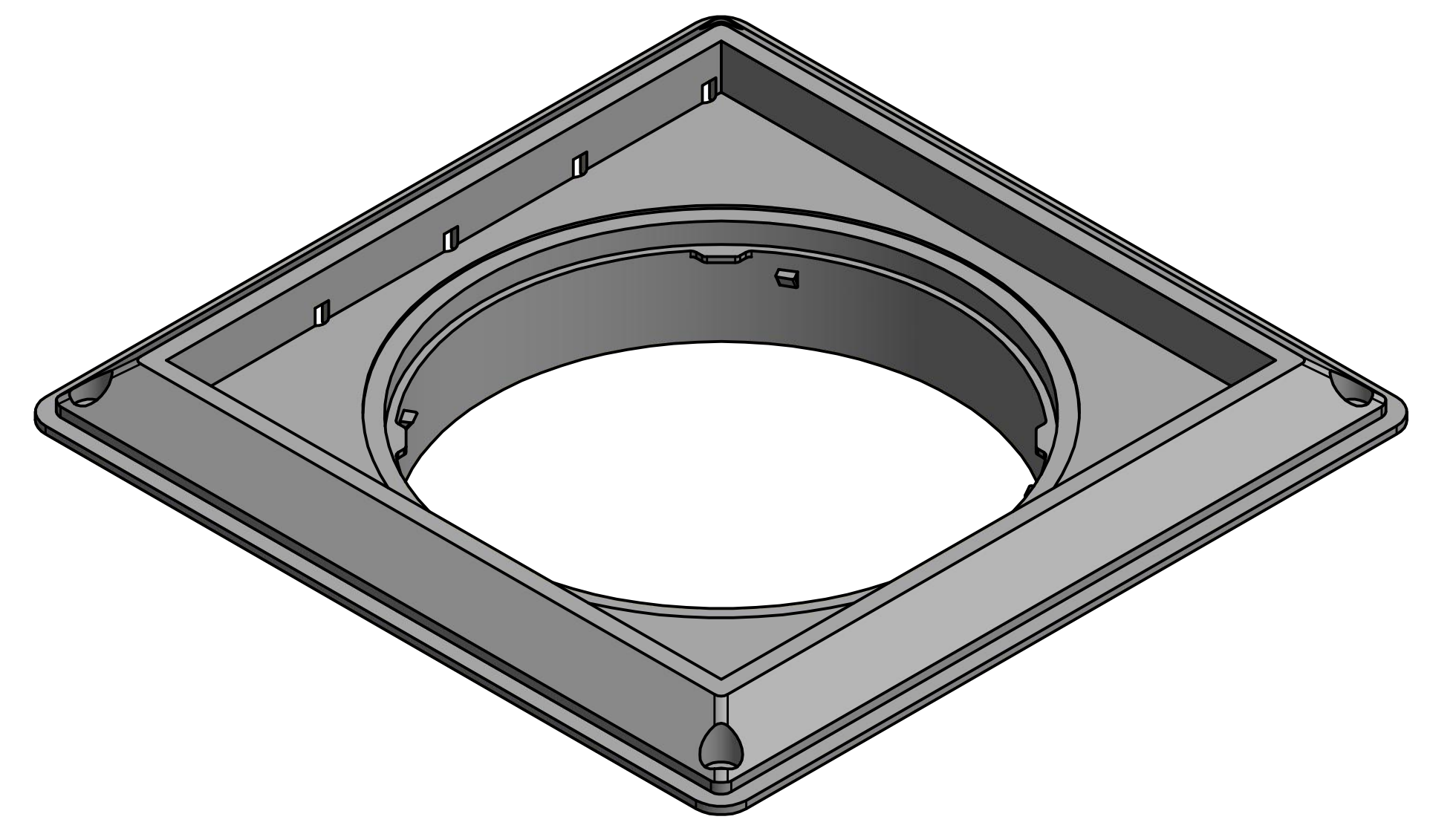


DRAWN JOSEPH VALENTI	9/24/2014	LAMBRO INDUSTRIES, INC.		
CHECKED		TITLE		
QA		WALL VENT ASSEMBLY		
MFG		SIZE D	DWG NO	REV
APPROVED		SCALE	WALL VENT	
		SHEET 1 OF 1		

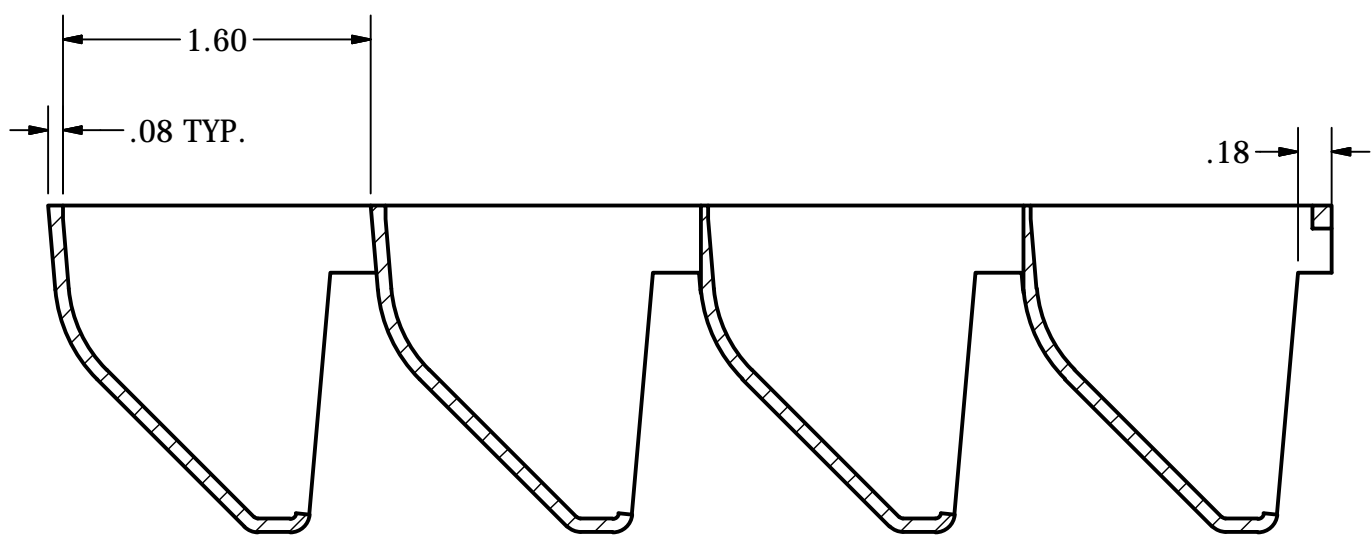
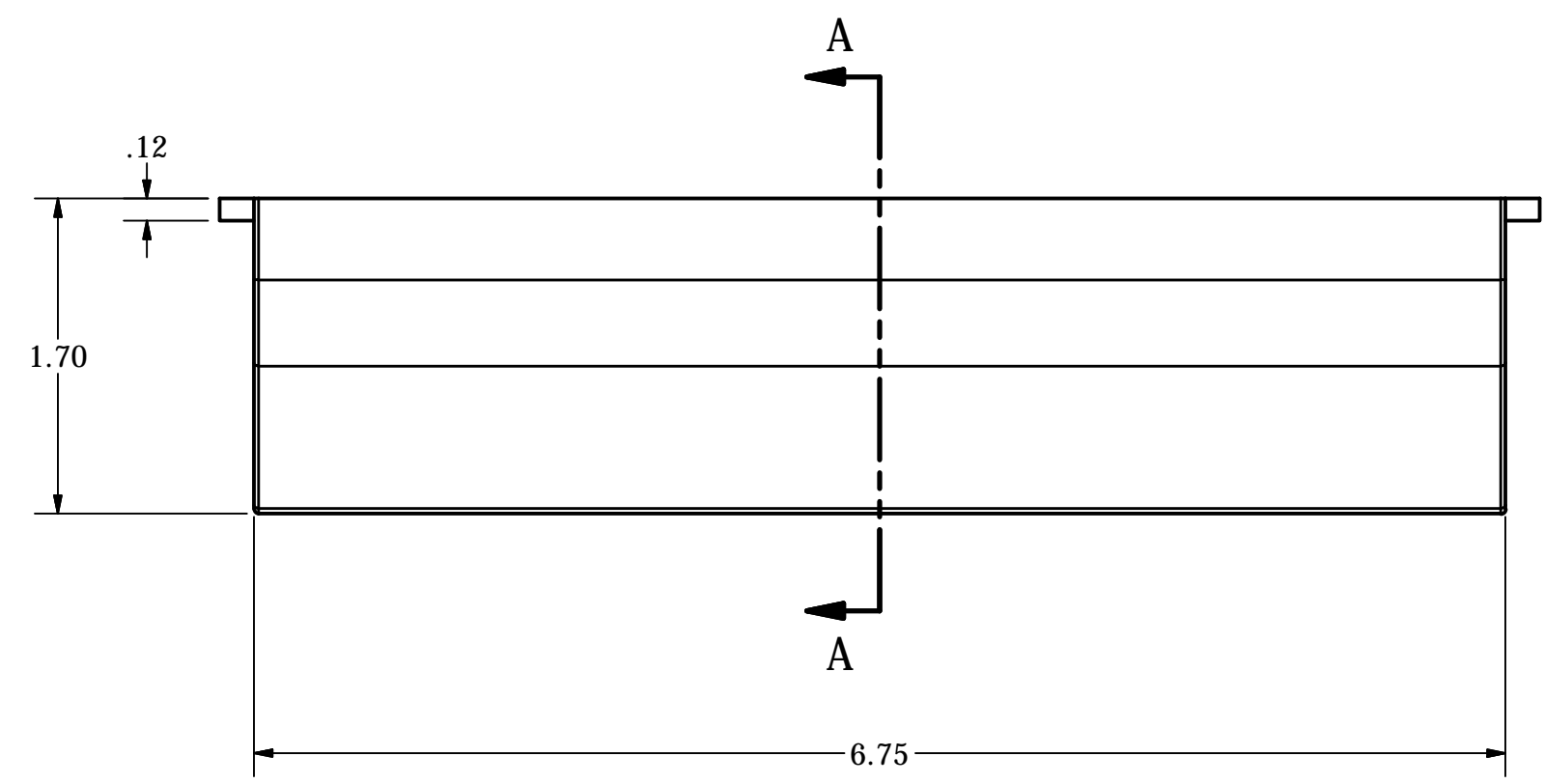


DETAIL A

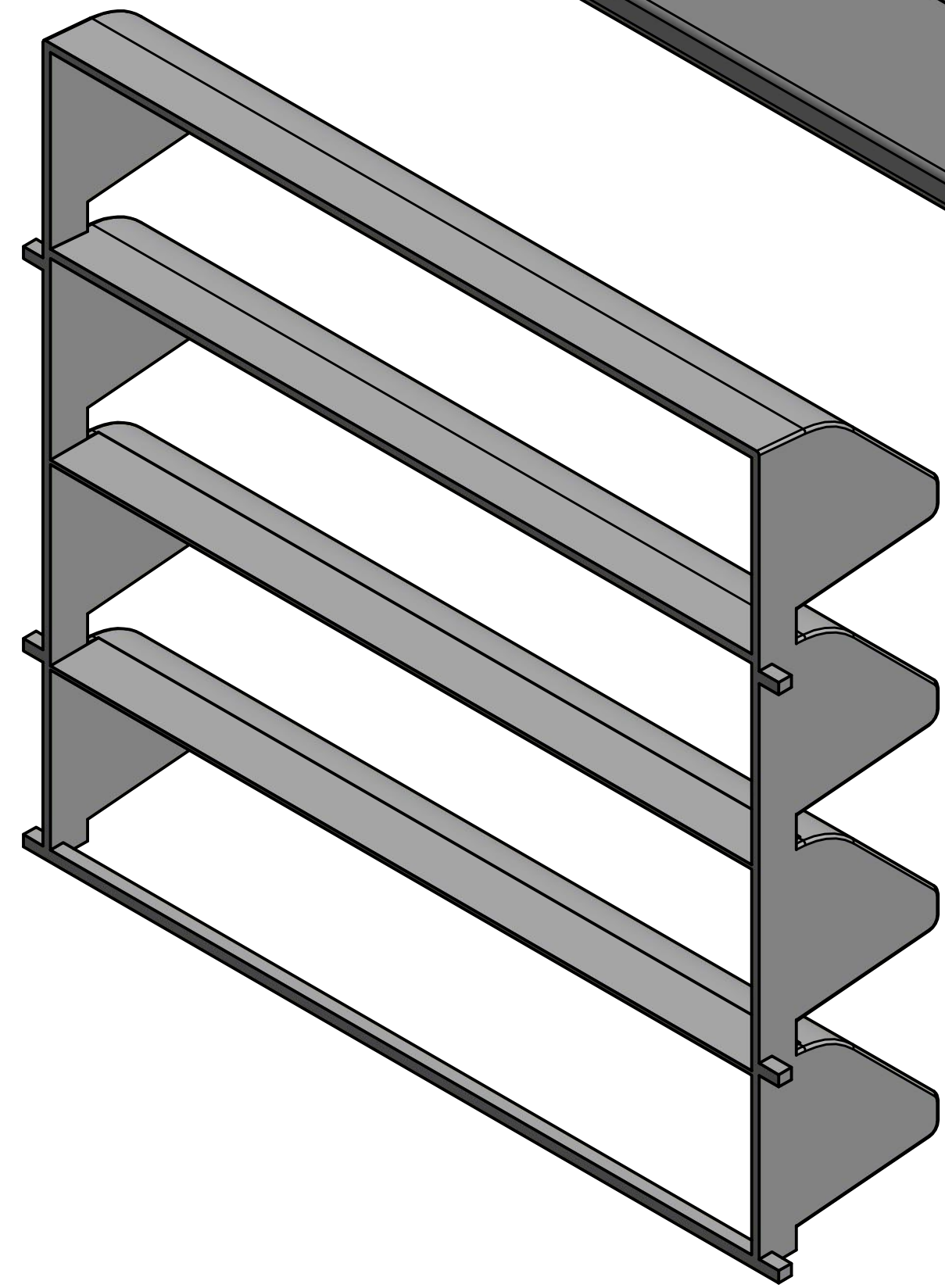
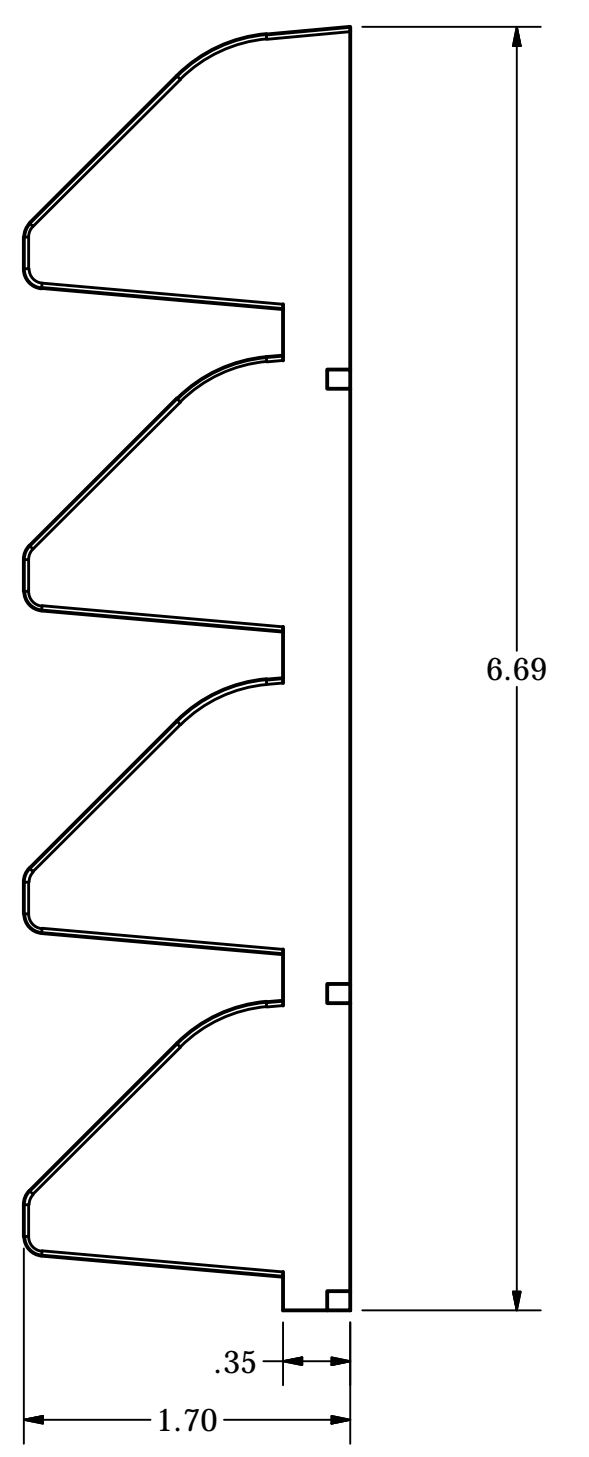
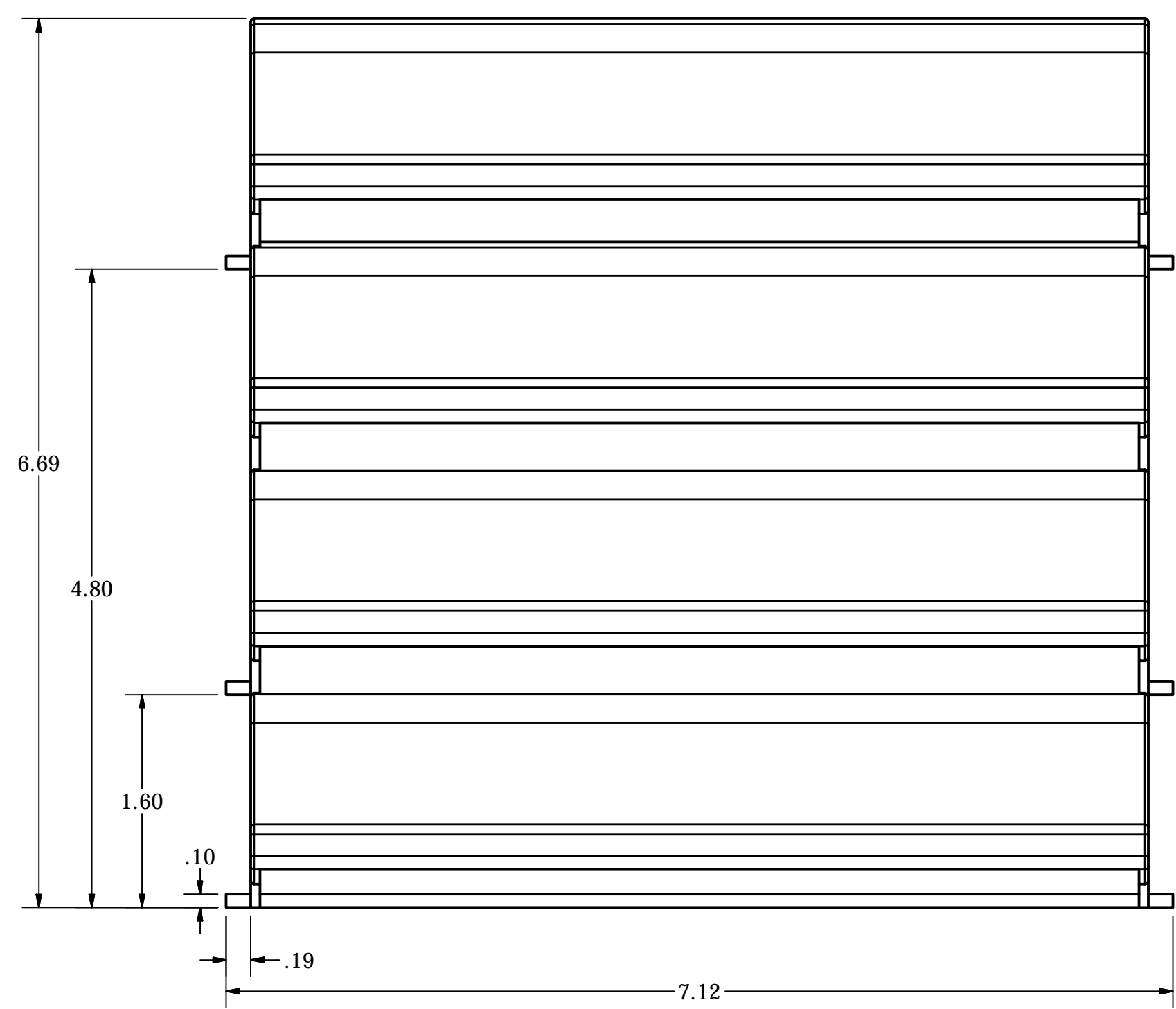
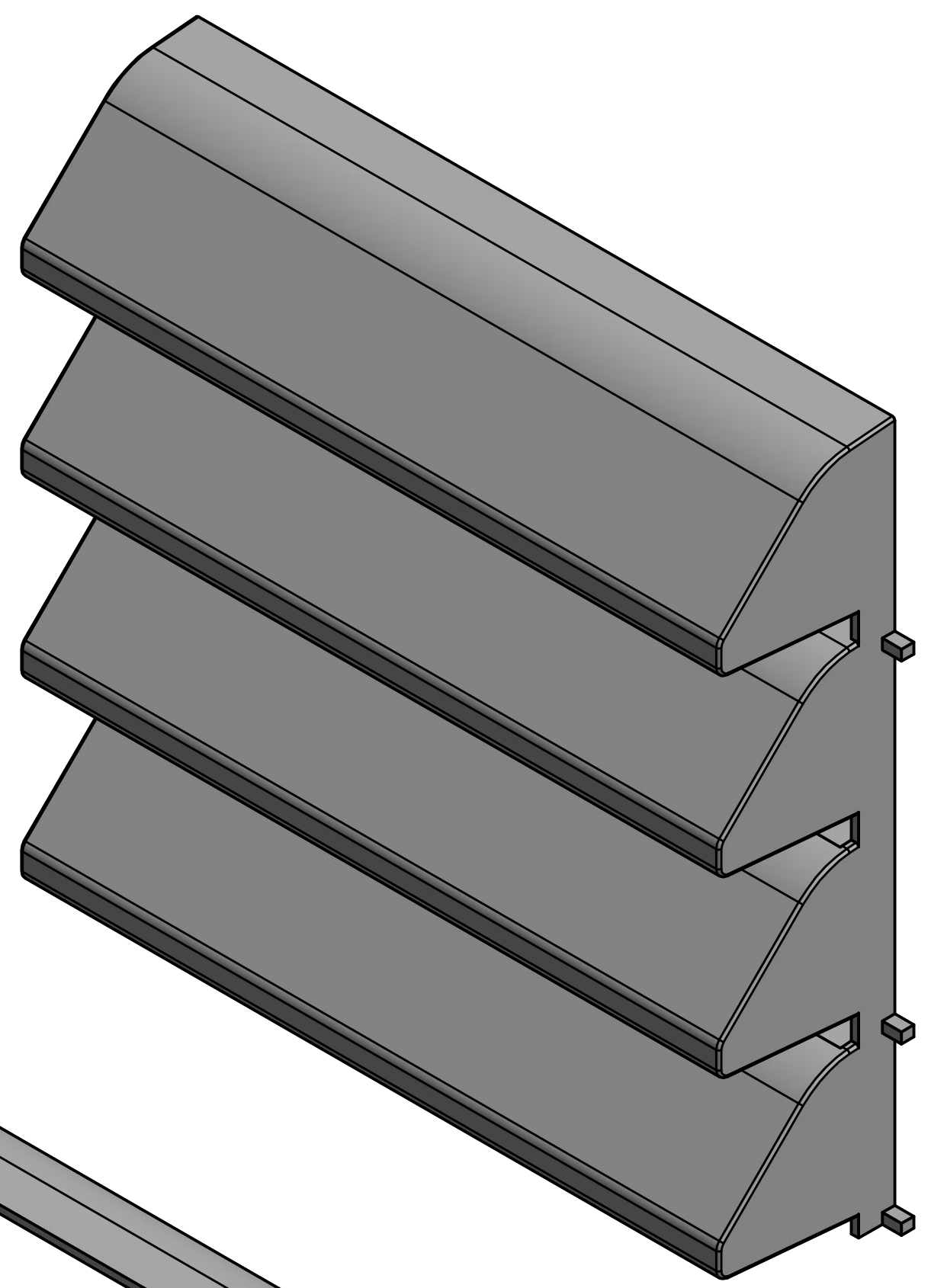


DRAWN	JOSEPH VALENTI	9/24/2014	LAMBRO INDUSTRIES, INC.		
CHECKED			TITLE		
QA			DRYER WALL VENT BASE		
MFG			SIZE	DWG NO	REV
APPROVED			D	BASE	
			SCALE		SHEET 1 OF 1

8 7 6 5 4 3 2 1

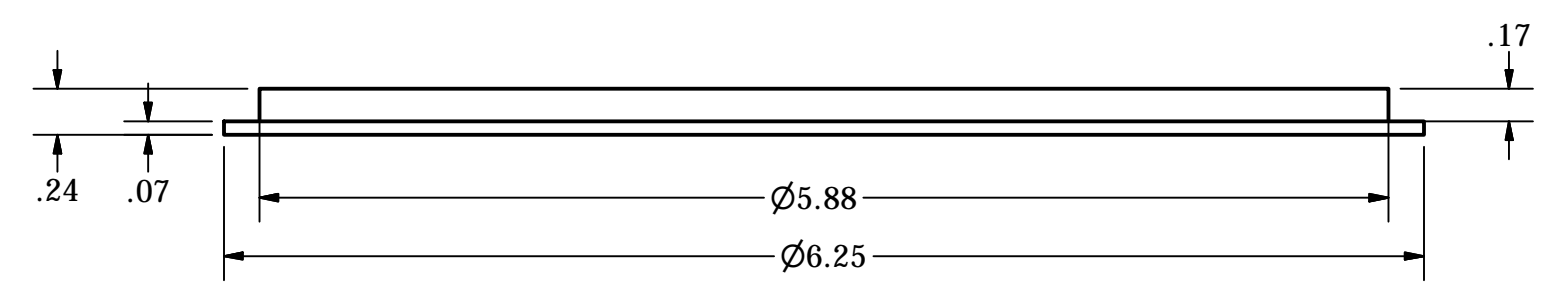
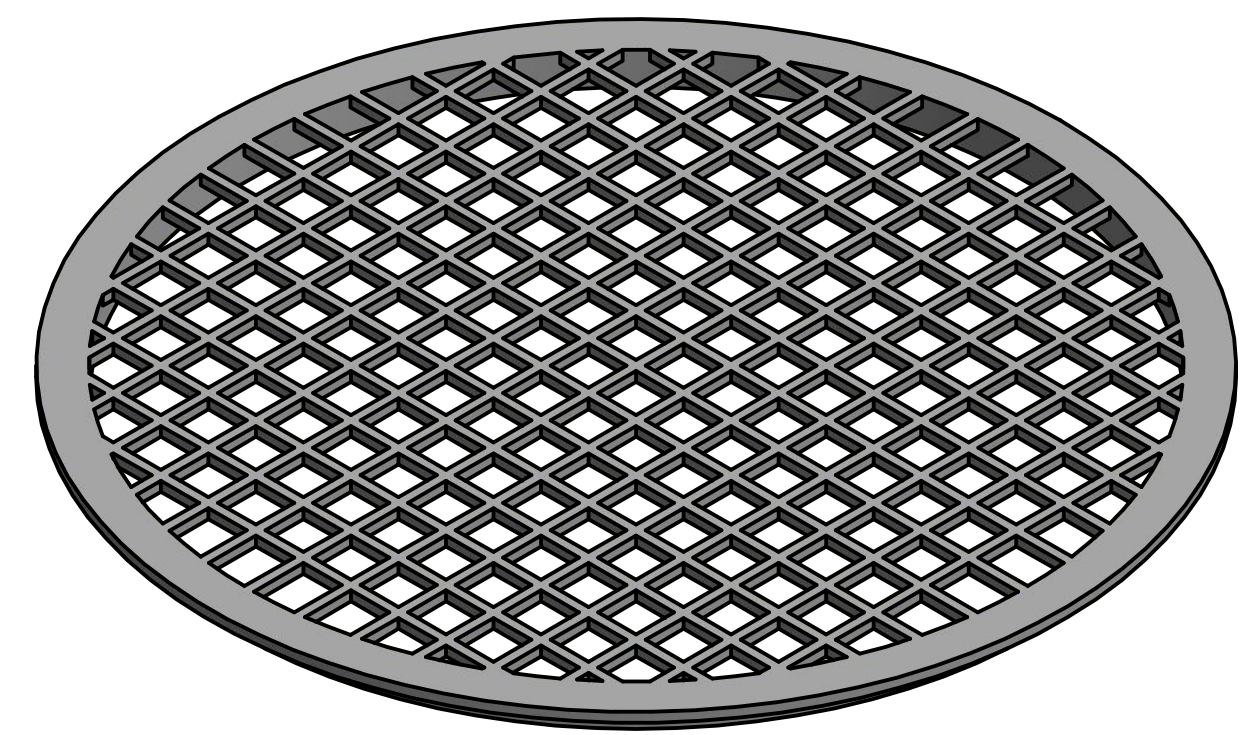
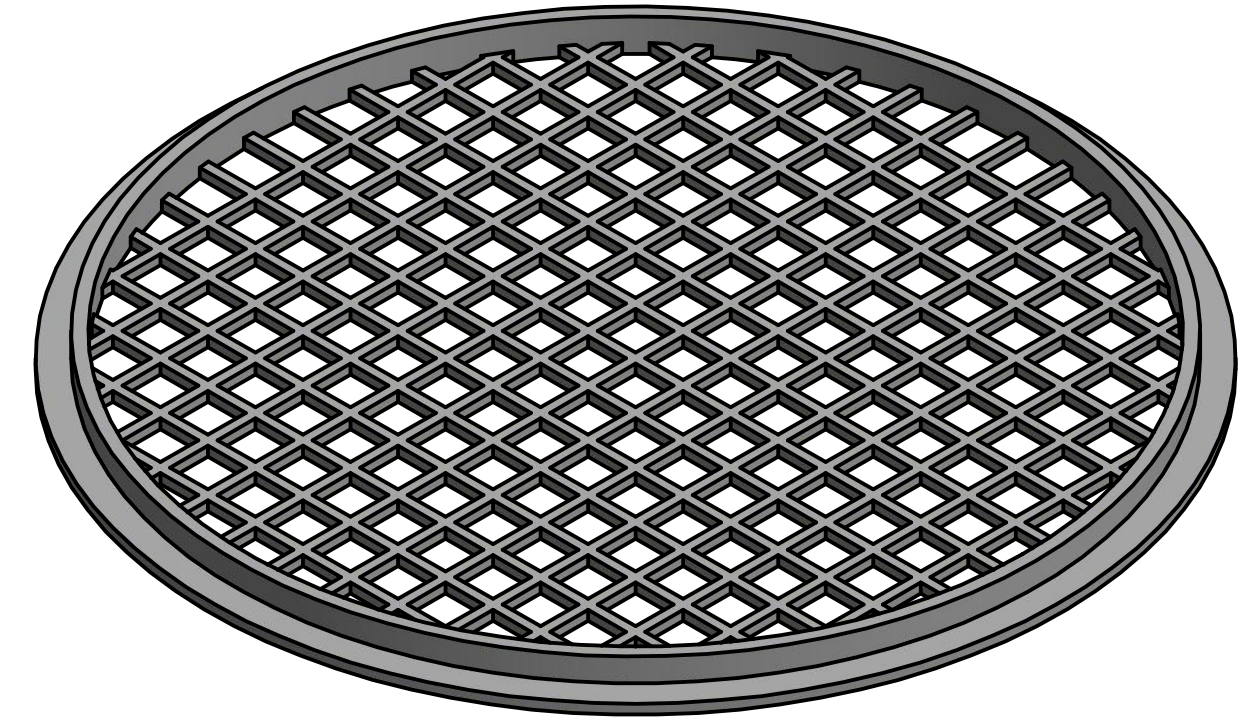
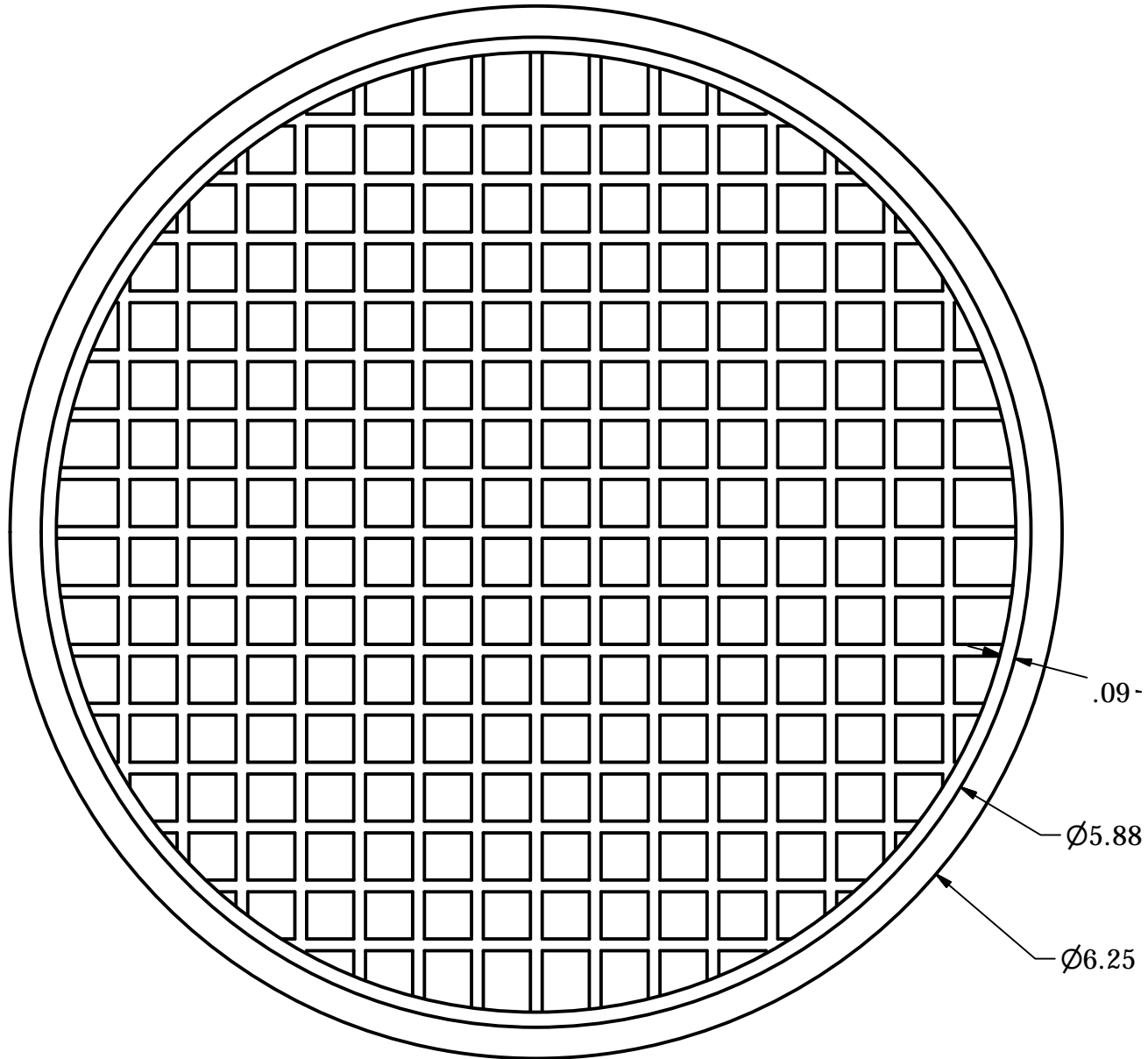


SECTION A-A



DRAWN	JOSEPH VALENTI	9/24/2014	LAMBRO INDUSTRIES, INC.		
CHECKED			TITLE		
QA			VENT SHROUD		
MFG			SIZE	DWG NO	REV
APPROVED			D	VENT SHROUD	
			SCALE		SHEET 1 OF 1

8 7 6 5 4 3 2 1



DRAWN JOSEPH VALENTI		9/24/2014		LAMBRO INDUSTRIES, INC.	
CHECKED				TITLE	
QA				WALL VENT SCREEN	
MFG					
APPROVED					
		SIZE	DWG NO	REV	
		C	SCREEN		
		SCALE	SHEET 1 OF 1		