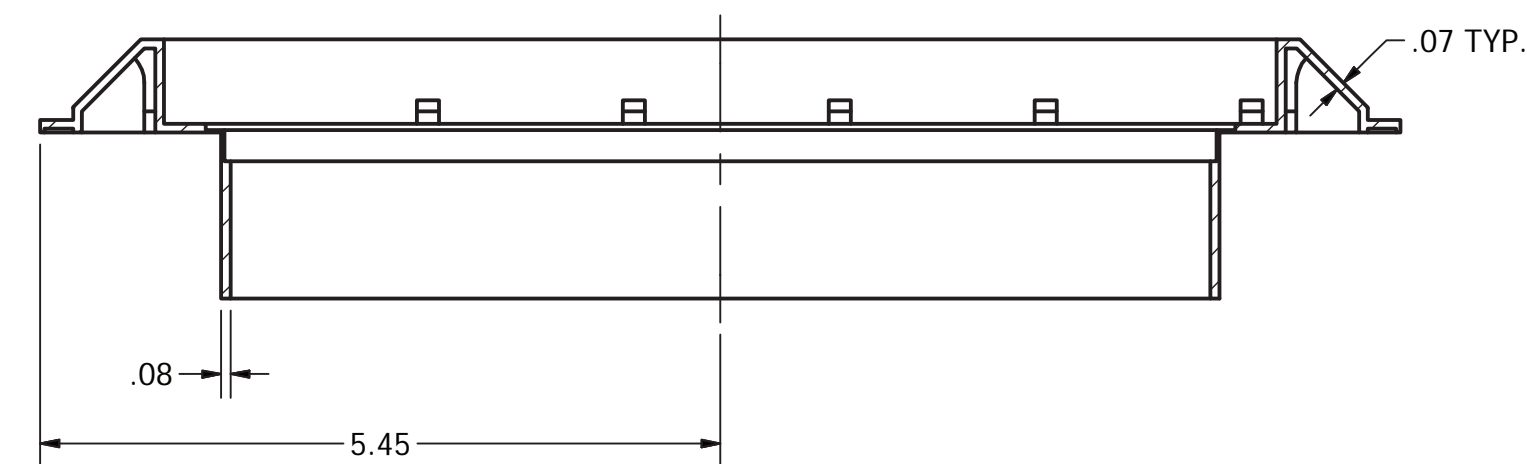
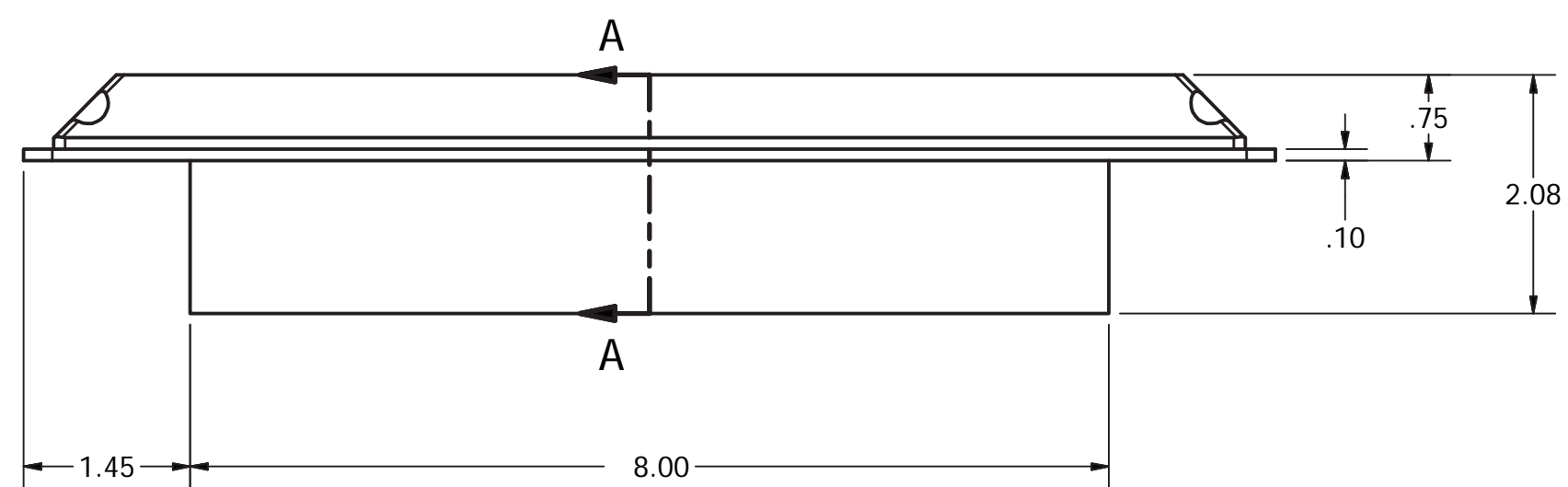
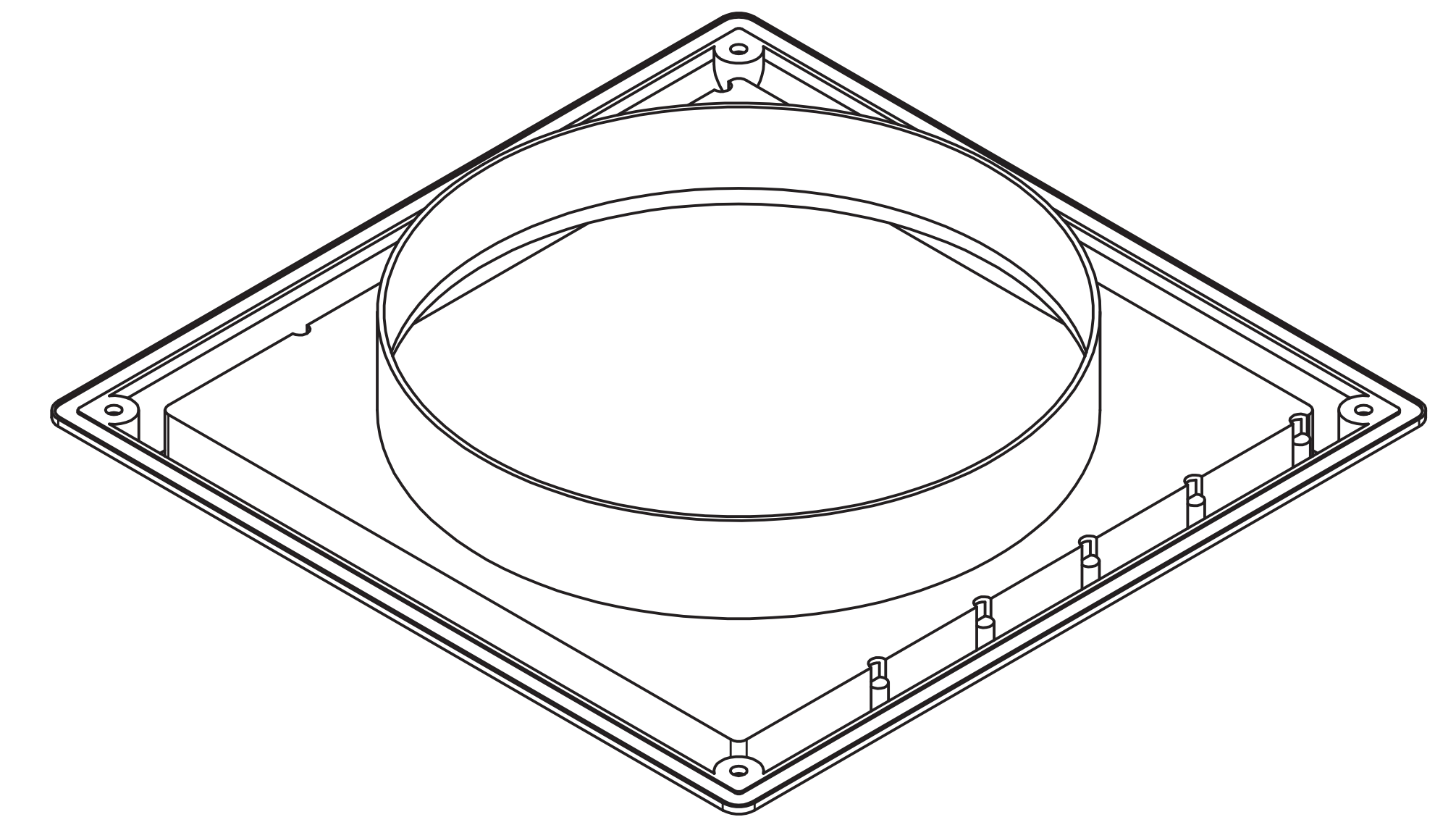
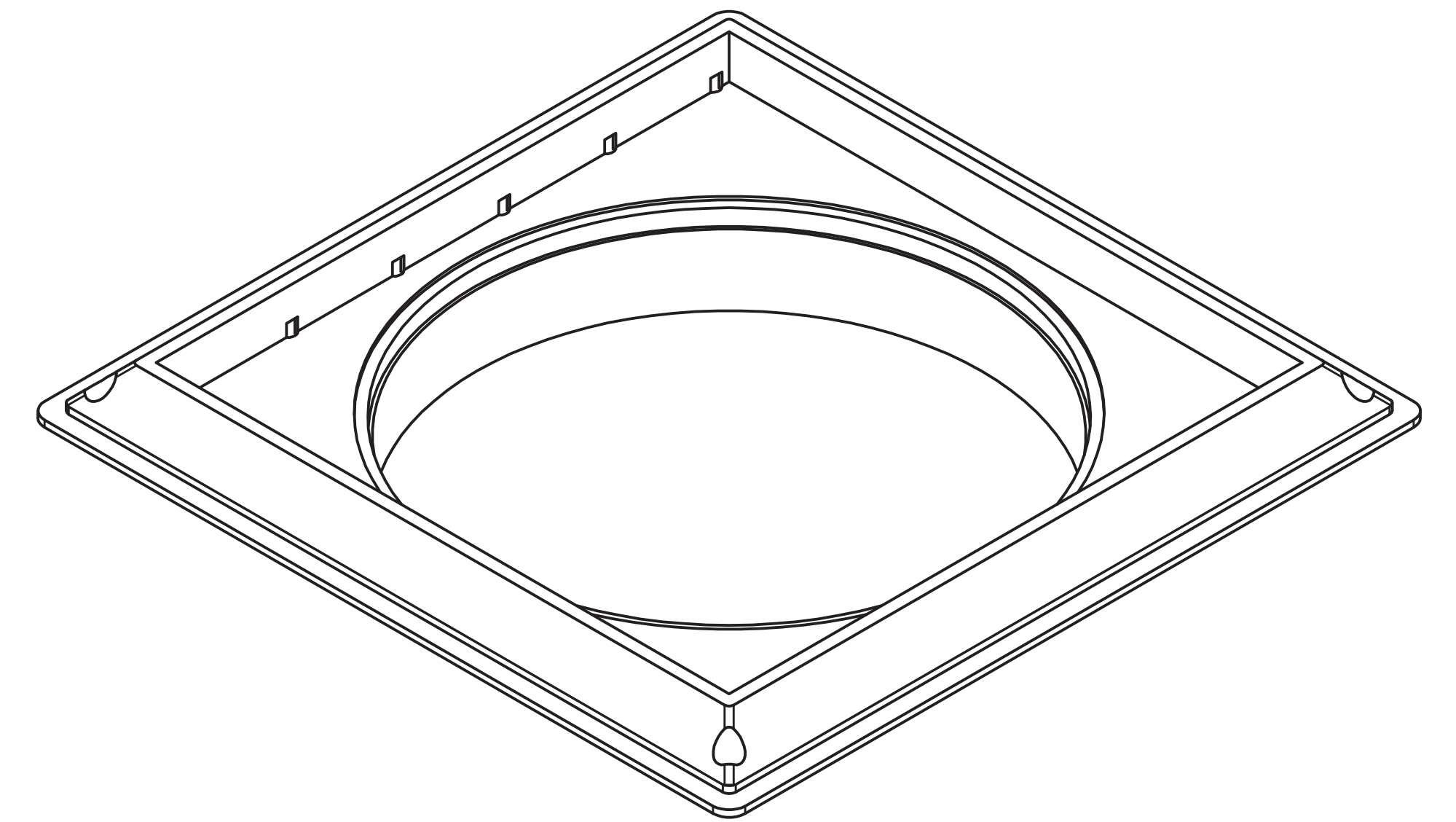
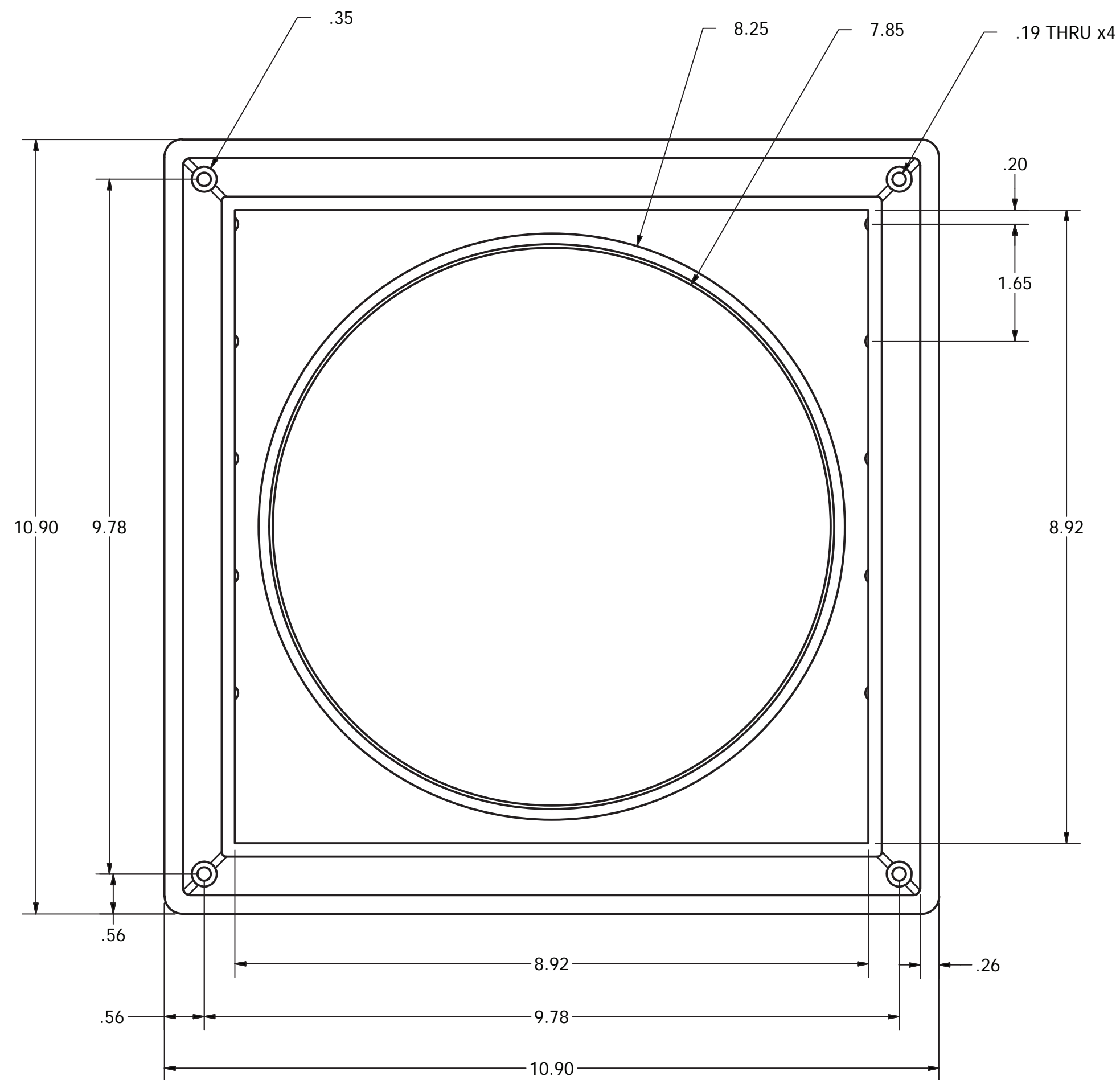


SECTION A-A

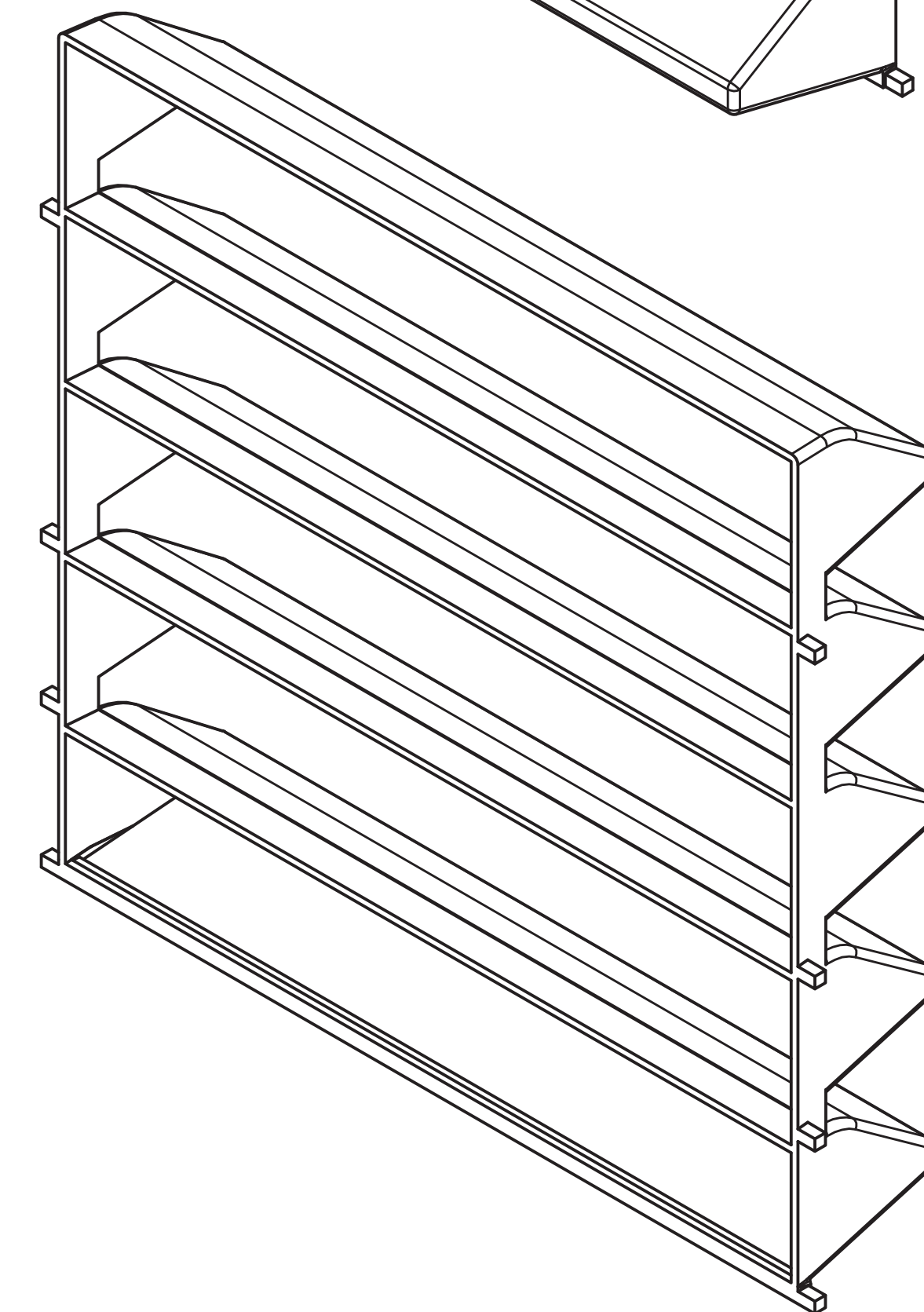
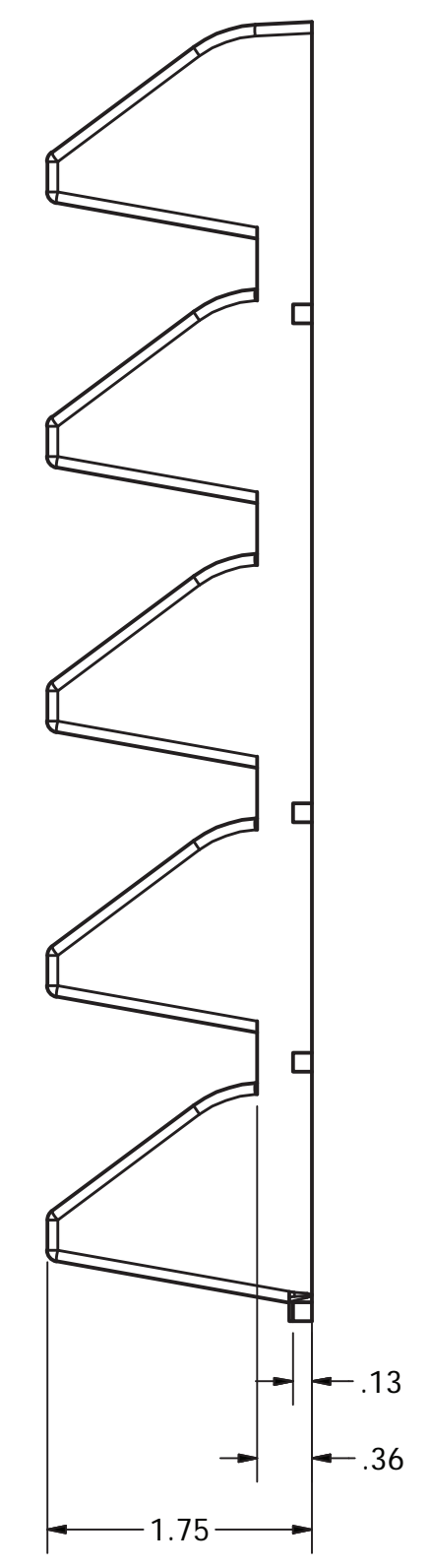
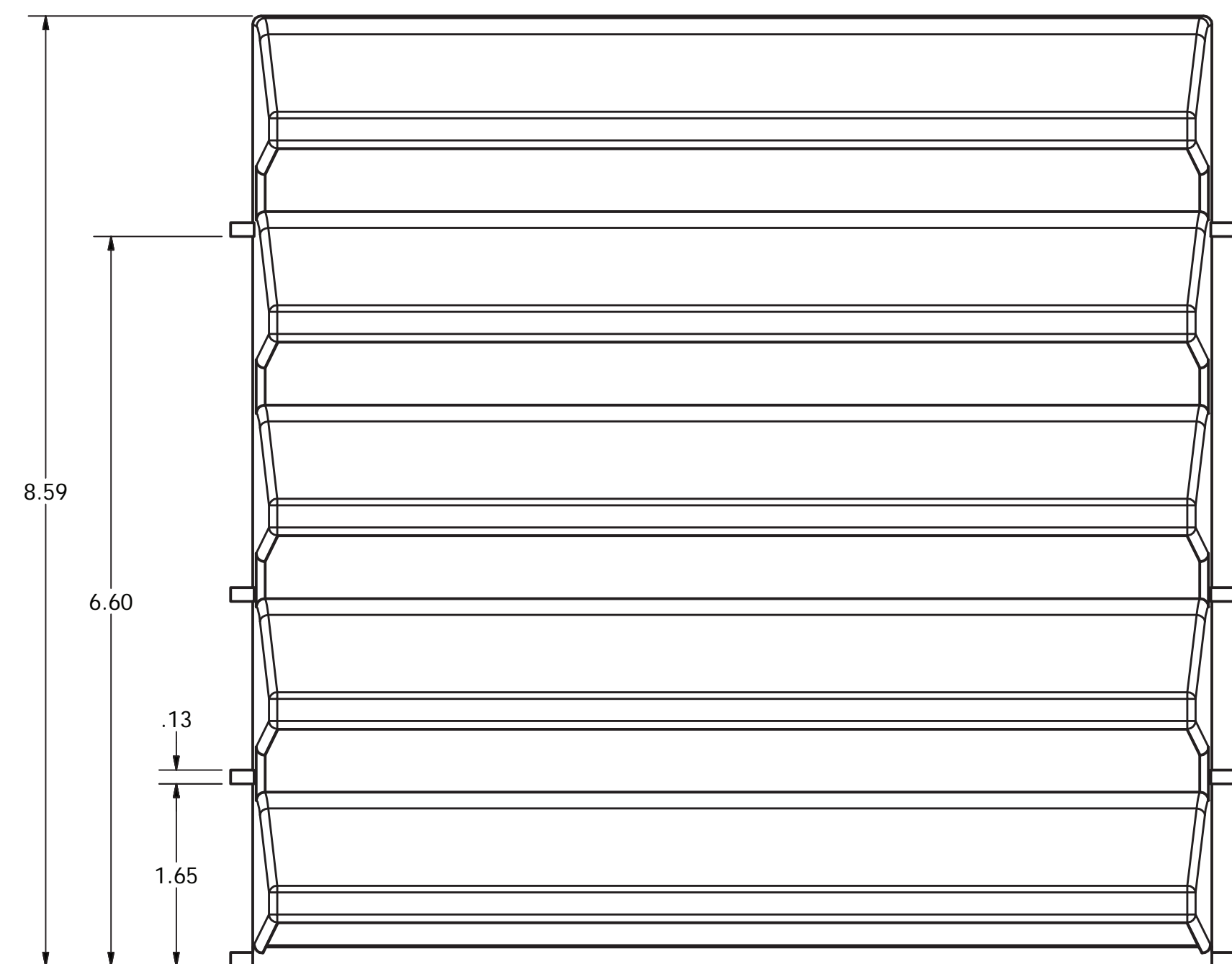
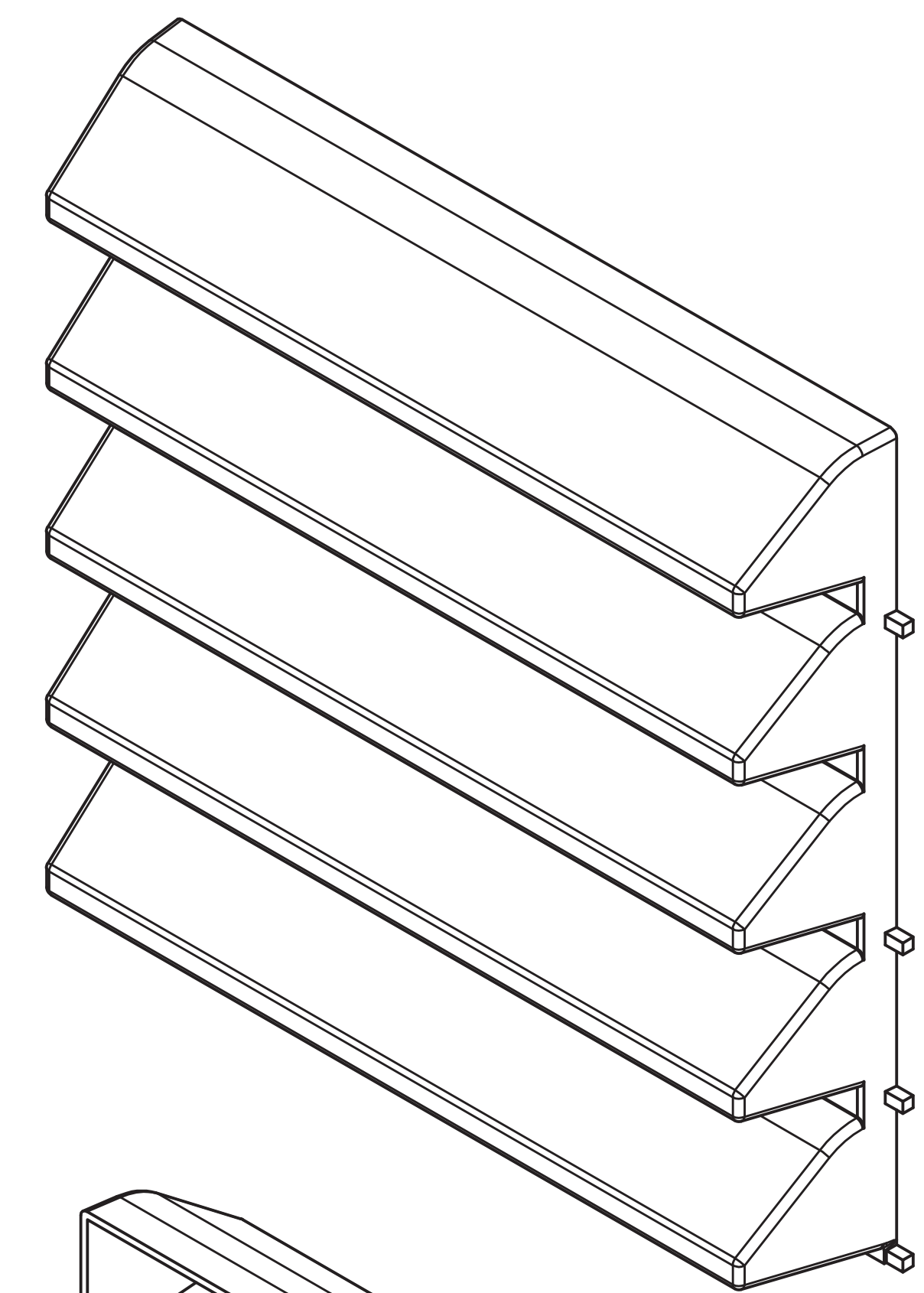
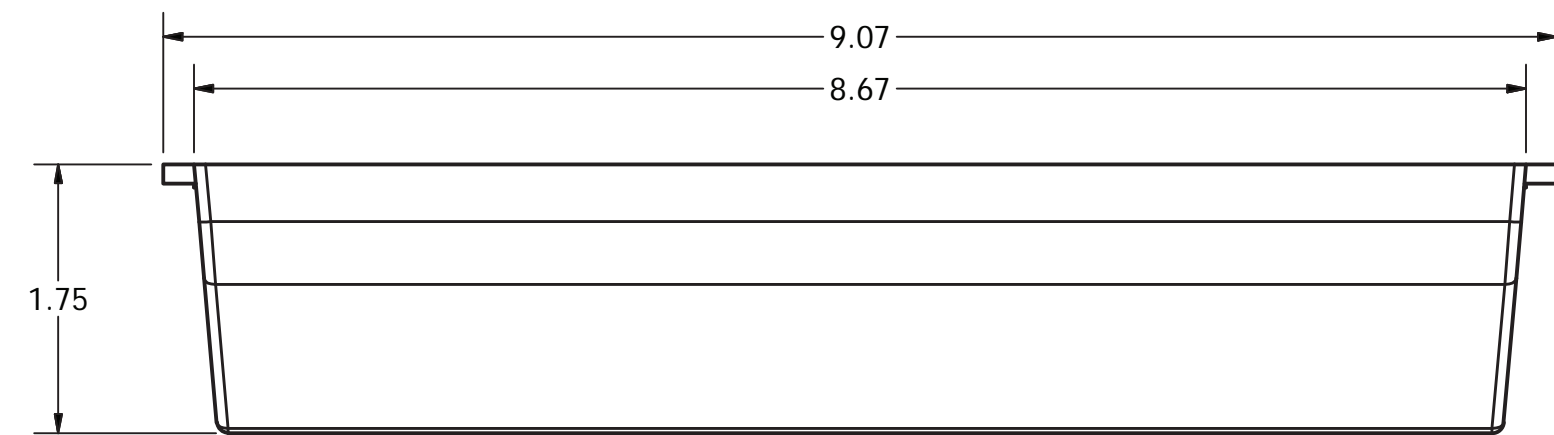
DRAWN BY J. VALENTI		2/11/2017		LAMBRO INDUSTRIES, INC.	
SIZE D	DWG NO 5 FIN WHITE VENT - 8in PORT		REV A		
NOT TO SCALE			SHEET 1 OF 1		




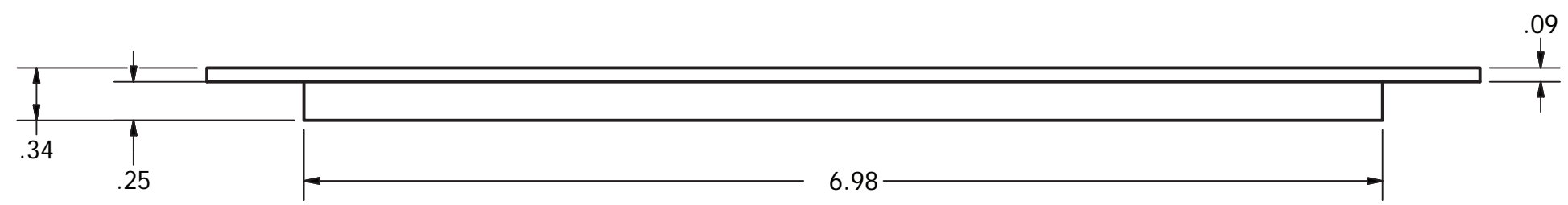
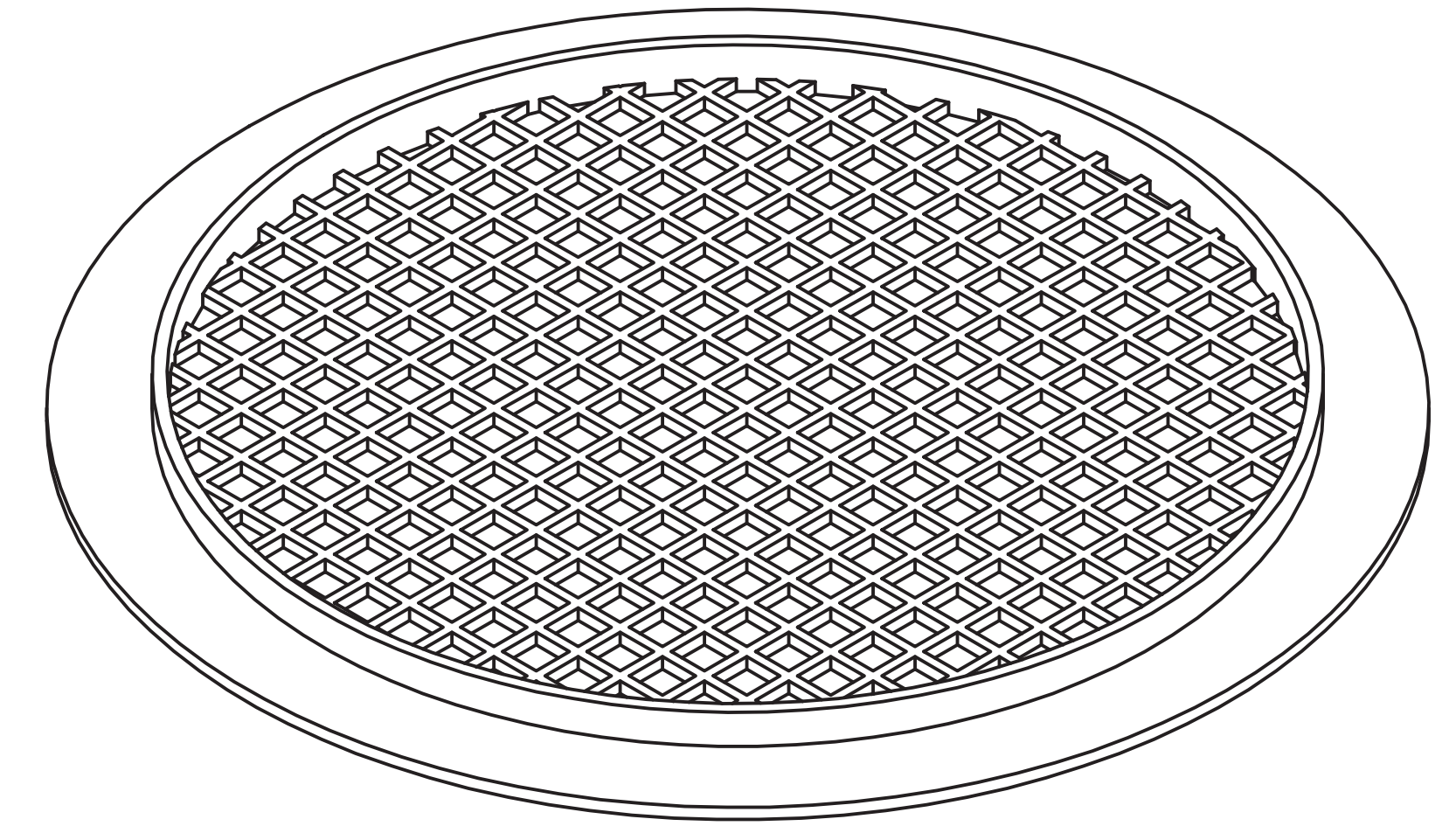
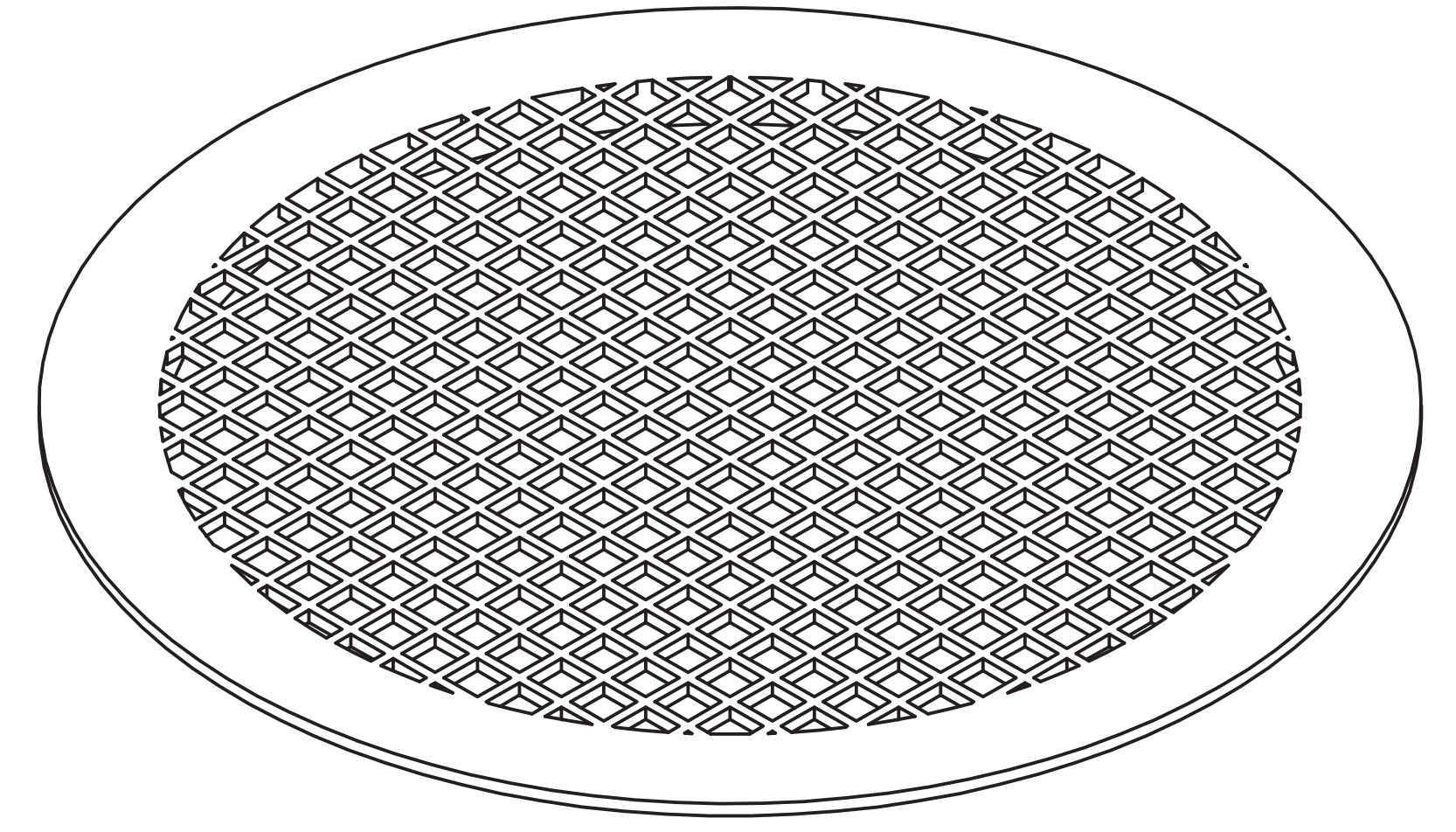
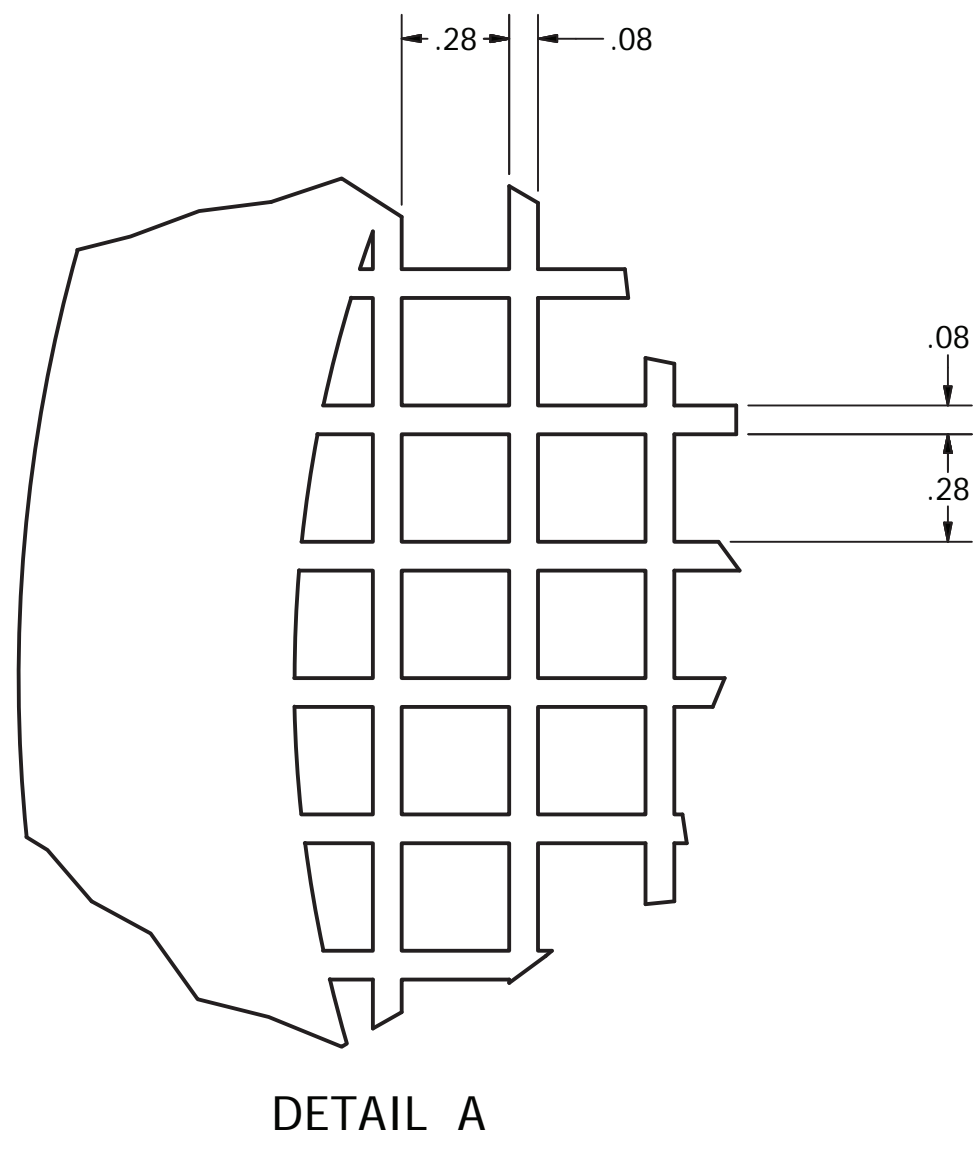
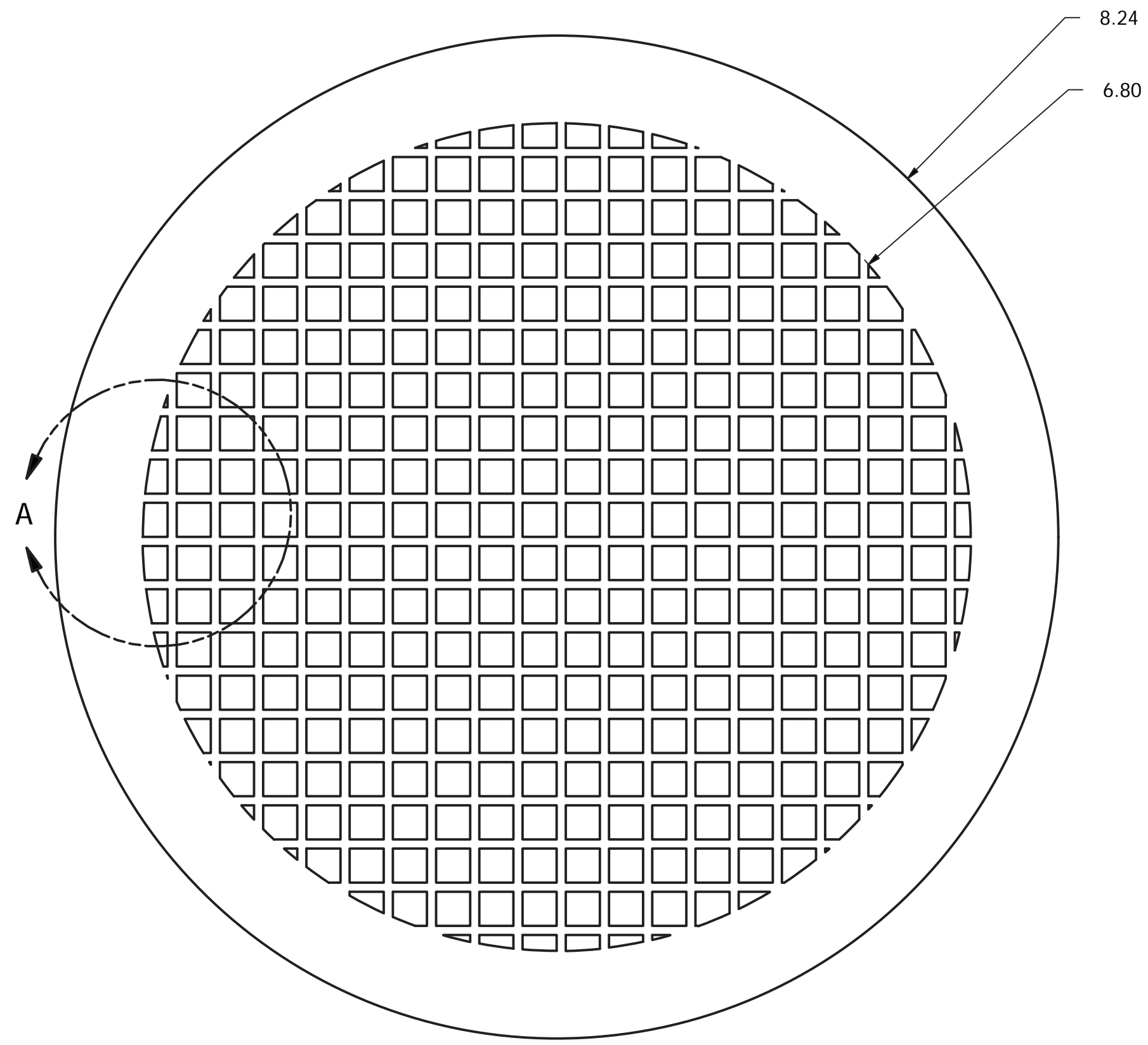
SECTION A-A

DRAWN BY J. VALENTI		2/11/2017		LAMBRO INDUSTRIES, INC.	
TITLE 5-FIN WHITE VENT BASE - 8in PORT					
SIZE D	DWG NO 5 FIN WHITE VENT BASE	REV A	NOT TO SCALE		
		SHEET 1 OF 1			





DRAWN BY J. VALENTI		2/11/2017		LAMBRO INDUSTRIES, INC.	
					
SIZE D	DWG NO 5FIN VENT			REV A	
NOT TO SCALE			SHEET 1 OF 1		



DRAWN BY J. VALENTI		2/11/2017		LAMBRO INDUSTRIES, INC.	
SIZE D	DWG NO 8 in PORT - SCREEN			REV A	
NOT TO SCALE				SHEET 1 OF 1	