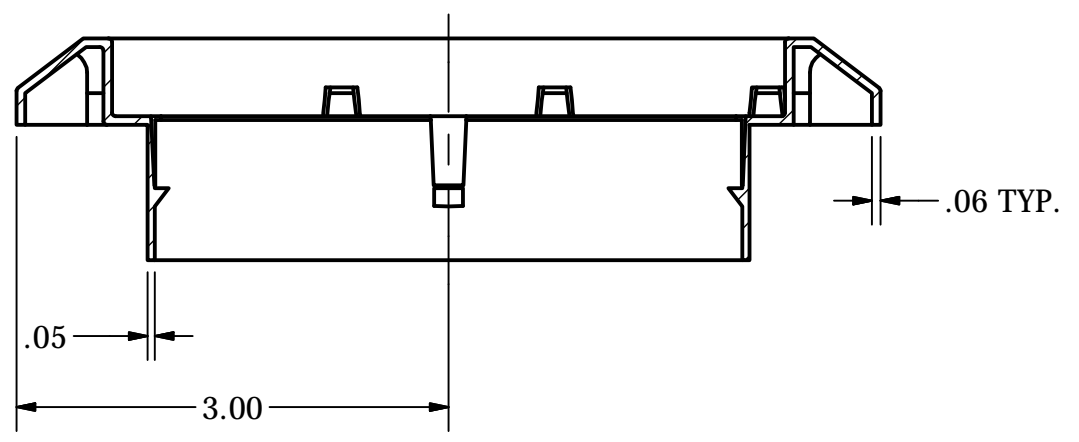
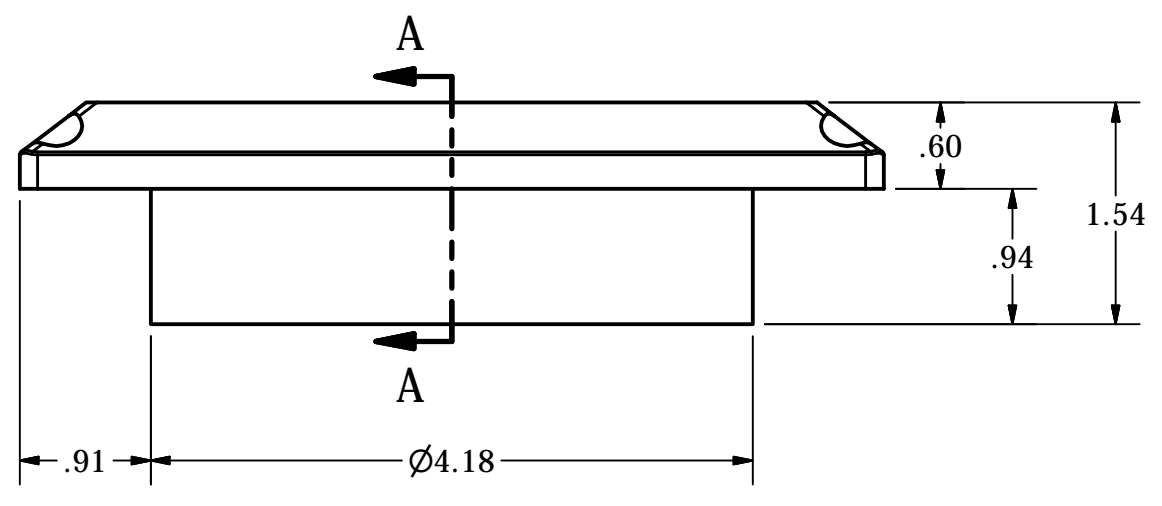
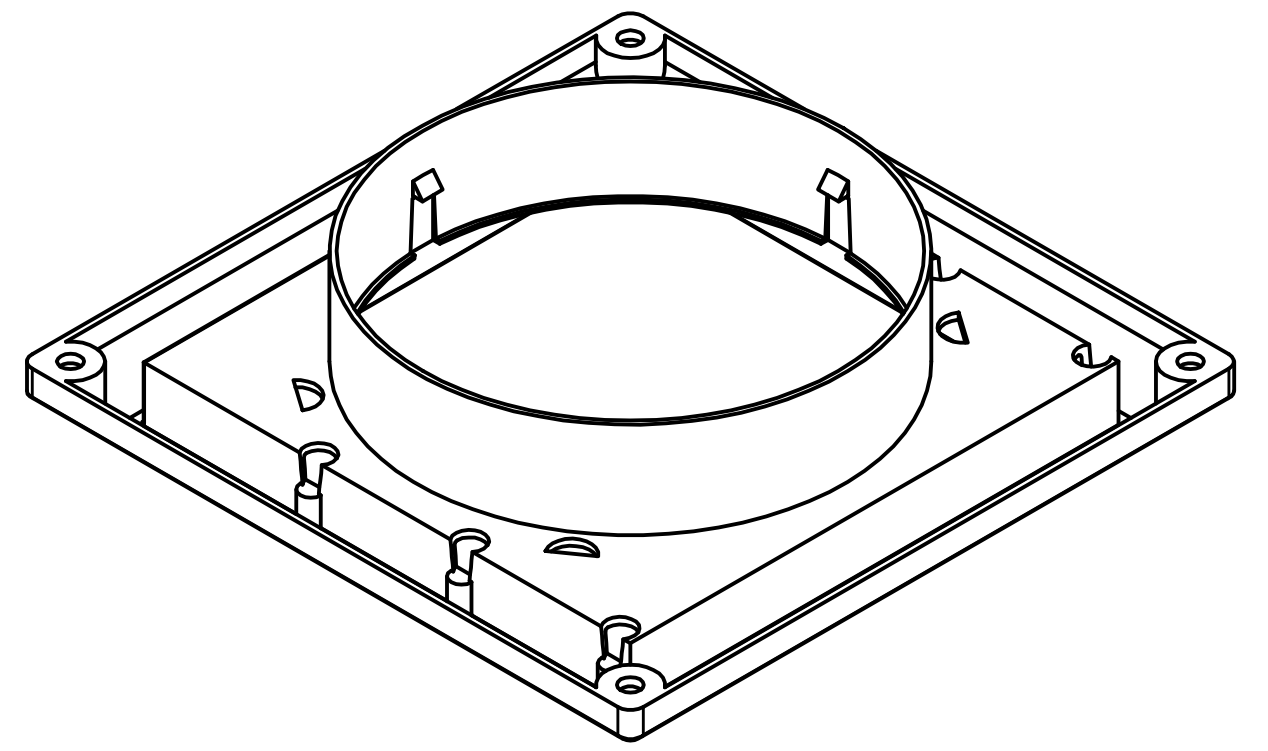
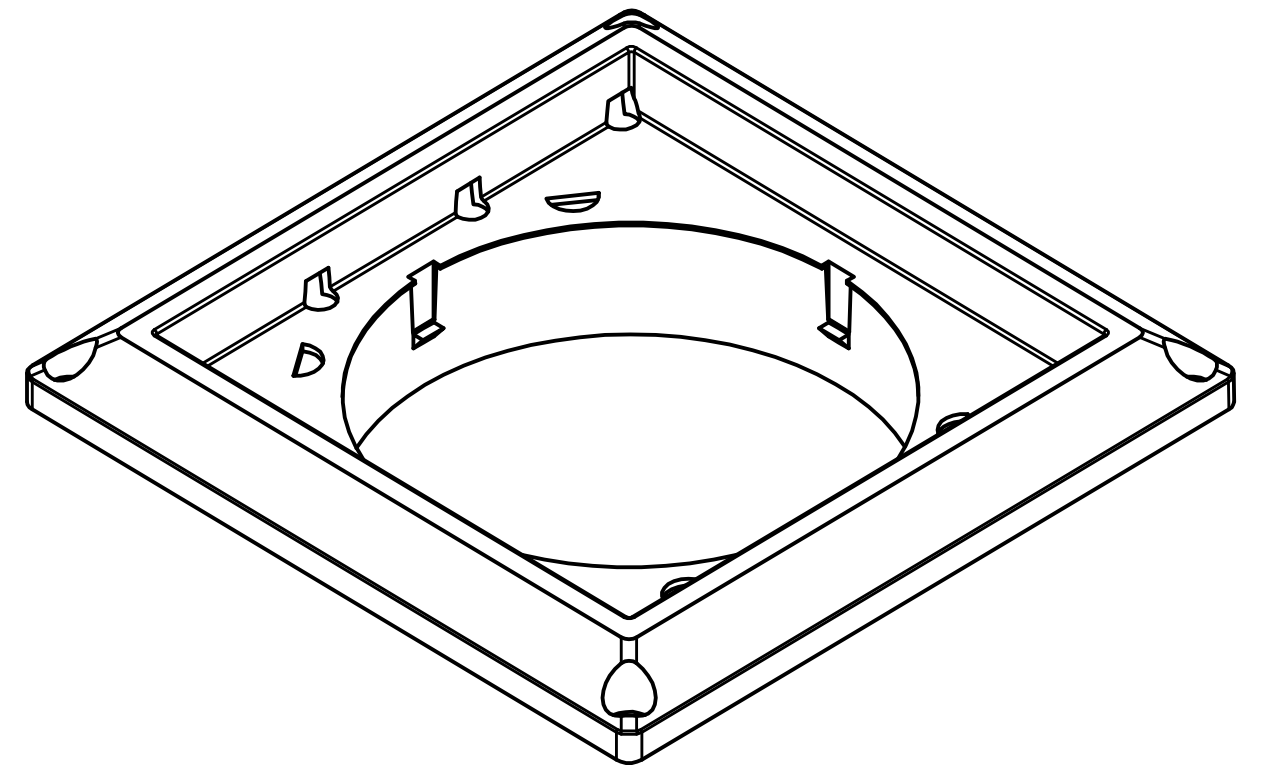
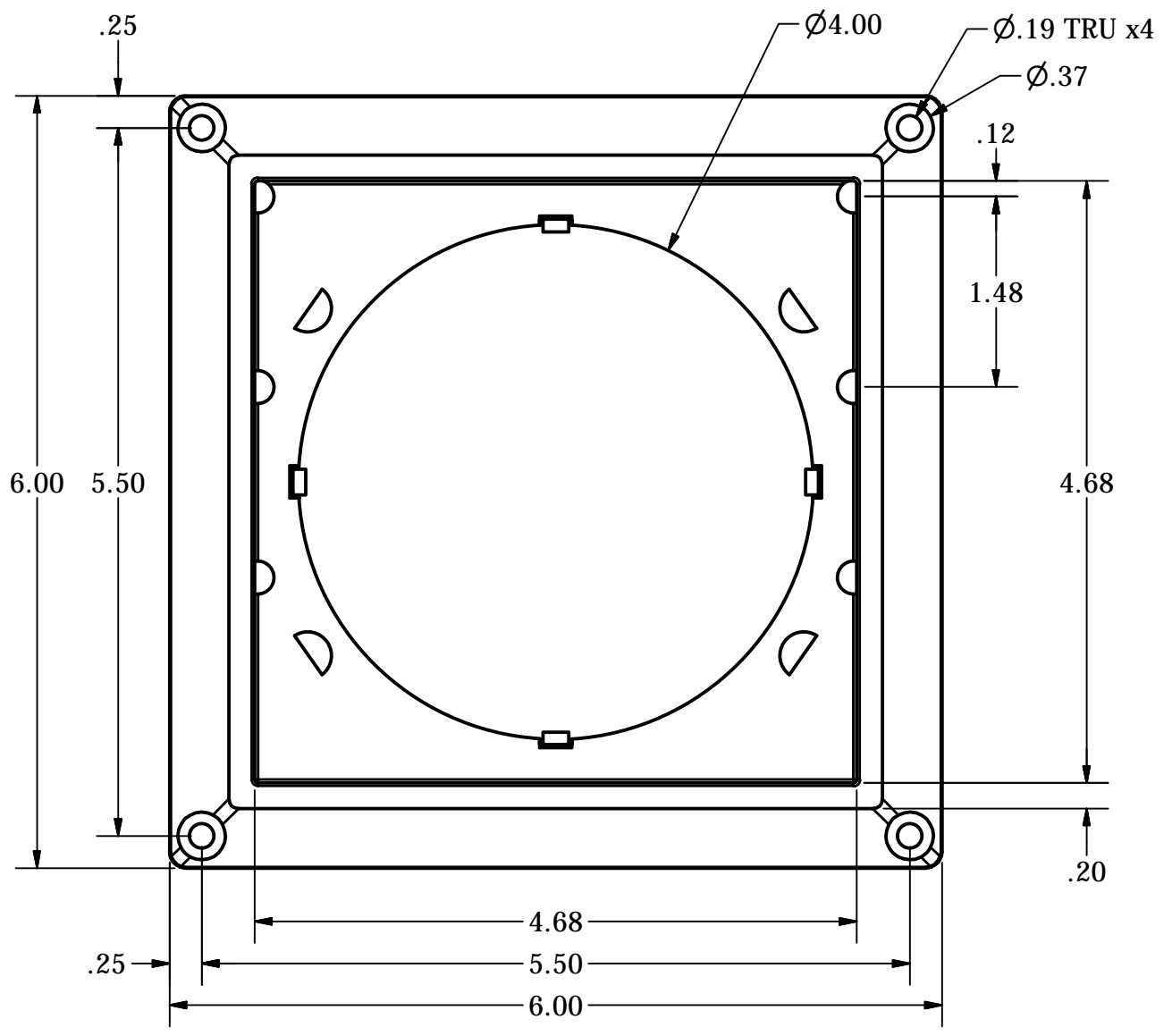


| | | | | | |
|------------------------|-------------------------|-----------|--------------|-------------------------|--|
| DRAWN BY J. VALENTI | | 2/27/2017 | | LAMBRO INDUSTRIES, INC. | |
| | | | | | |
| SIZE D | DWG NO 674W ASSEMBLY | | REV A | | |
| NOT TO SCALE | | | SHEET 1 OF 1 | | |



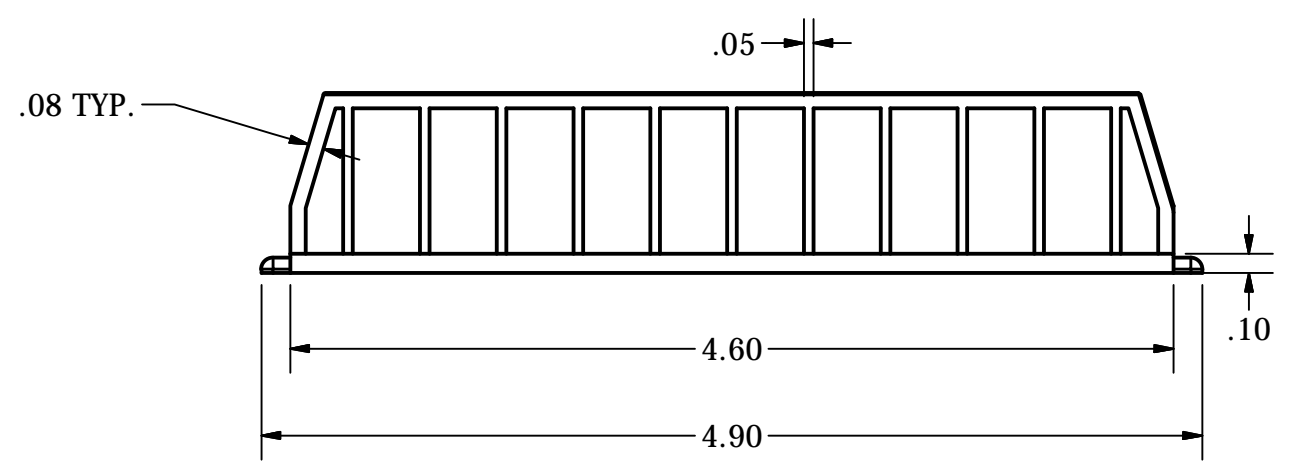
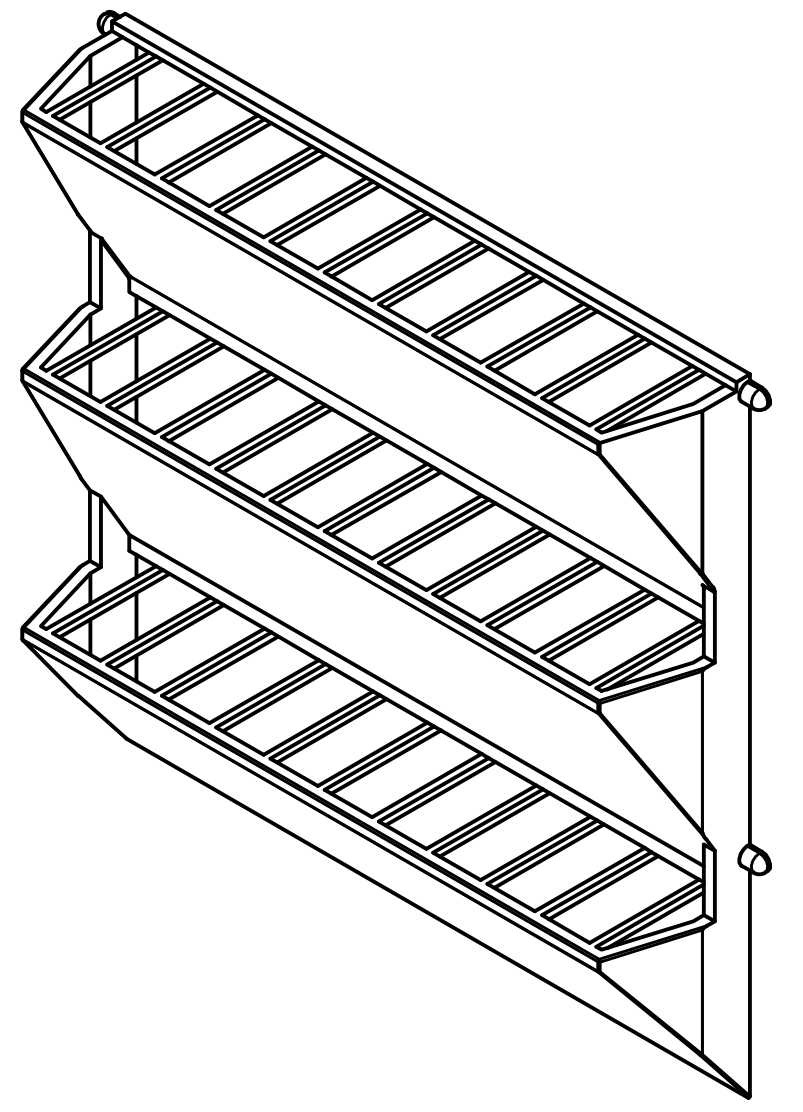
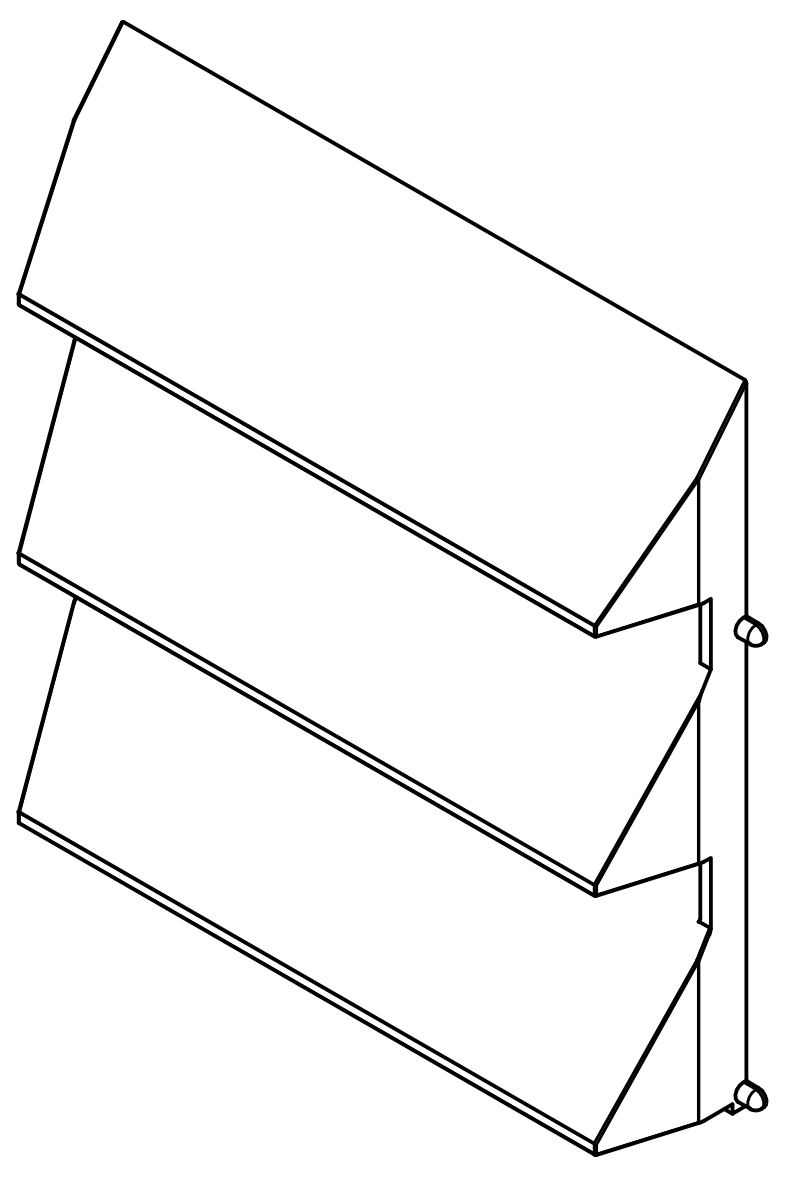
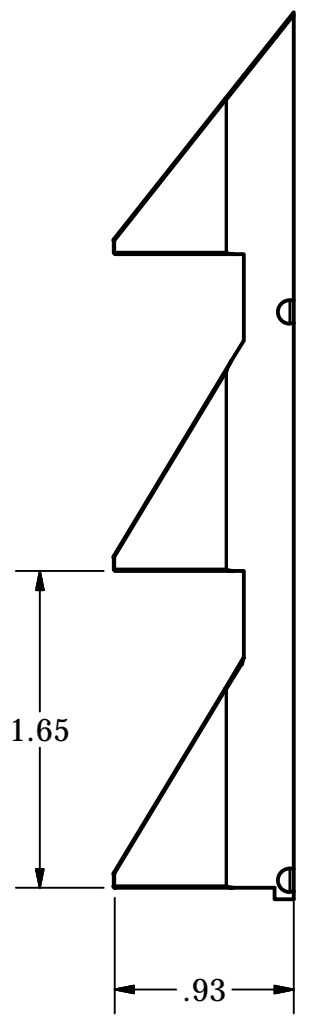
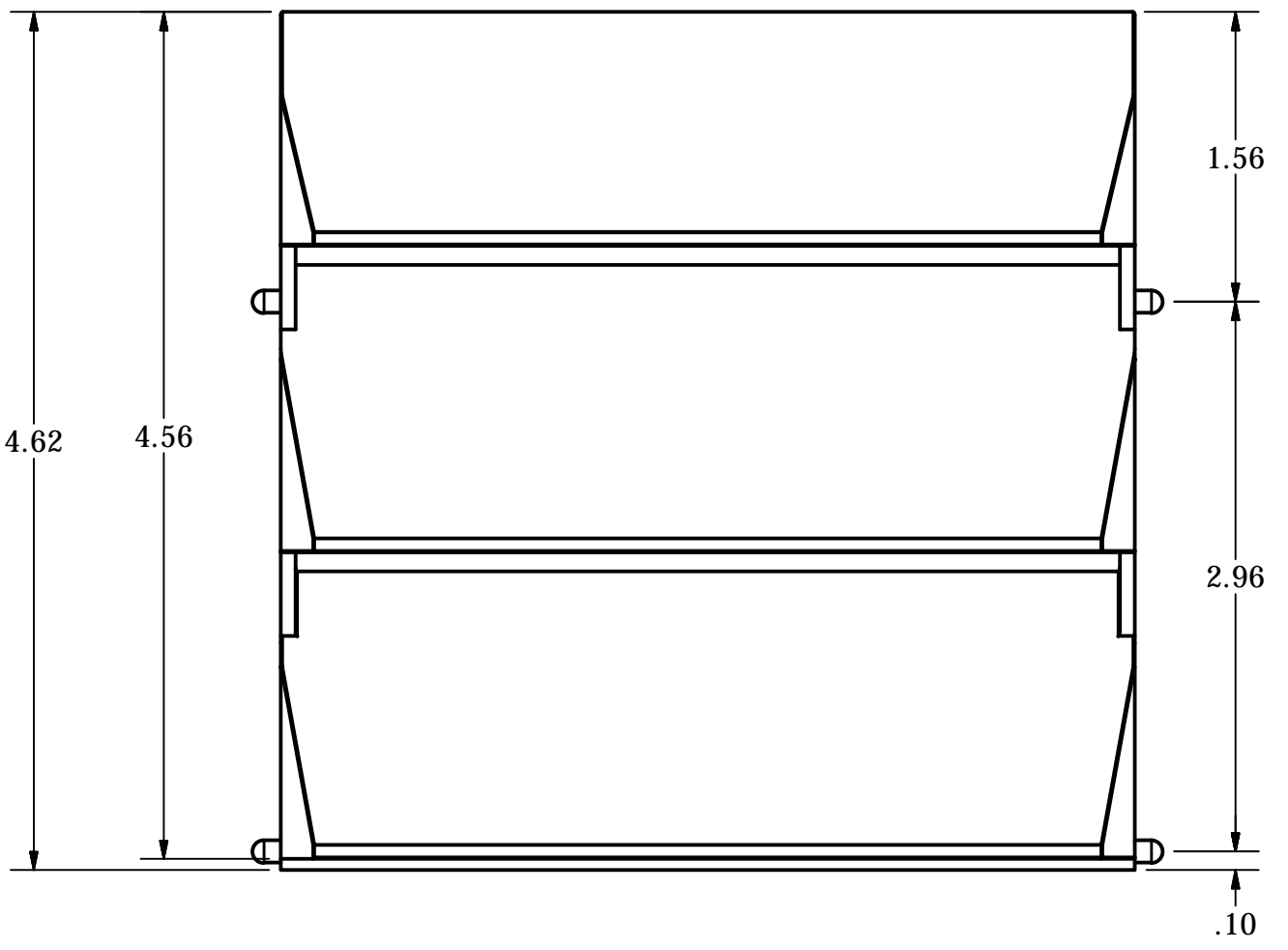
SECTION A-A

DRAWN BY
J. VALENTI 2/27/2017



LAMBRO INDUSTRIES, INC.

| | | |
|----------------------|--------------|-----|
| TITLE | | |
| 674W BASE - 4in PORT | | |
| SIZE | DWG NO | REV |
| C | 674W BASE | A |
| NOT TO SCALE | SHEET 1 OF 1 | |



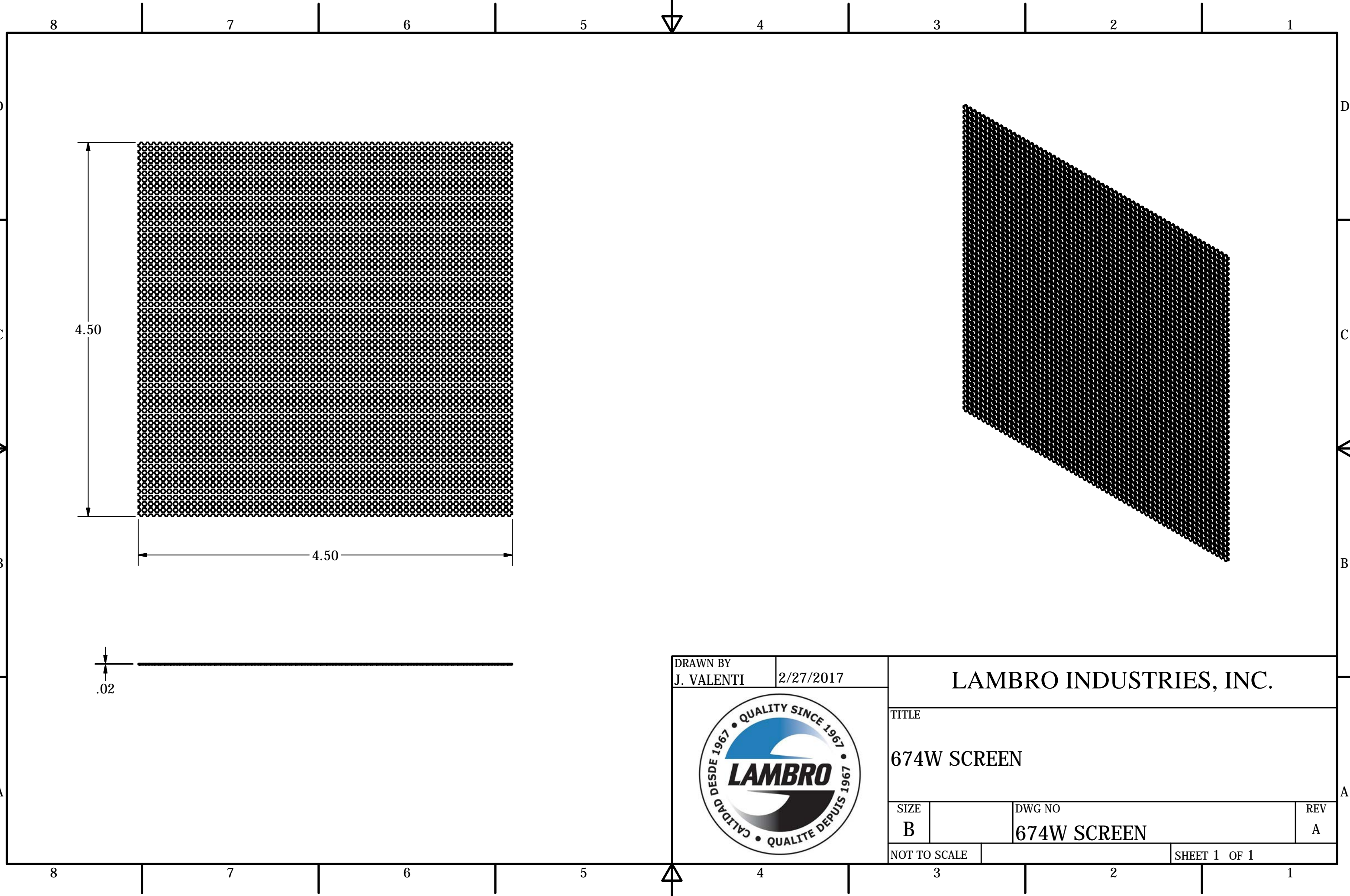
DRAWN BY
J. VALENTI

2/27/2017



LAMBRO INDUSTRIES, INC.

| | | | |
|------------------|------------------|-----|--|
| TITLE | | | |
| 674W VENT SHROUD | | | |
| SIZE | DWG NO | REV | |
| C | 674W VENT SHROUD | A | |
| NOT TO SCALE | SHEET 1 OF 1 | | |



| | | | | | |
|------------------------|--|-------------|--------------|-------------------------|---|
| DRAWN BY J. VALENTI | | 2/27/2017 | | LAMBRO INDUSTRIES, INC. | |
| | | | | | |
| | | | | 674W SCREEN | |
| SIZE | | DWG NO | | | A |
| B | | 674W SCREEN | | A | |
| NOT TO SCALE | | | SHEET 1 OF 1 | | |