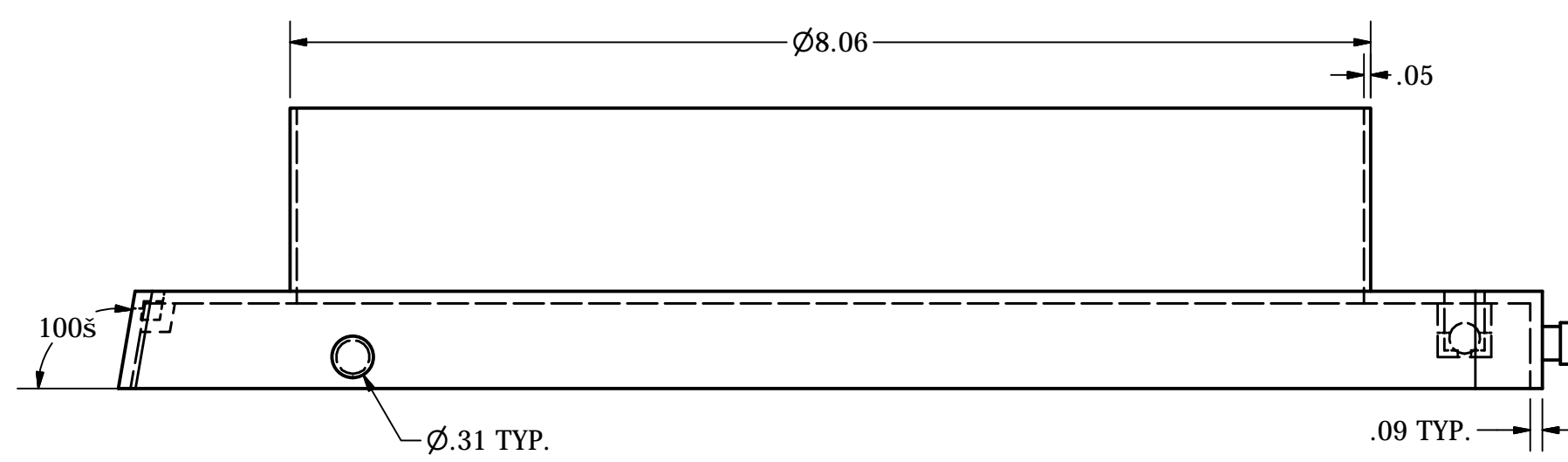
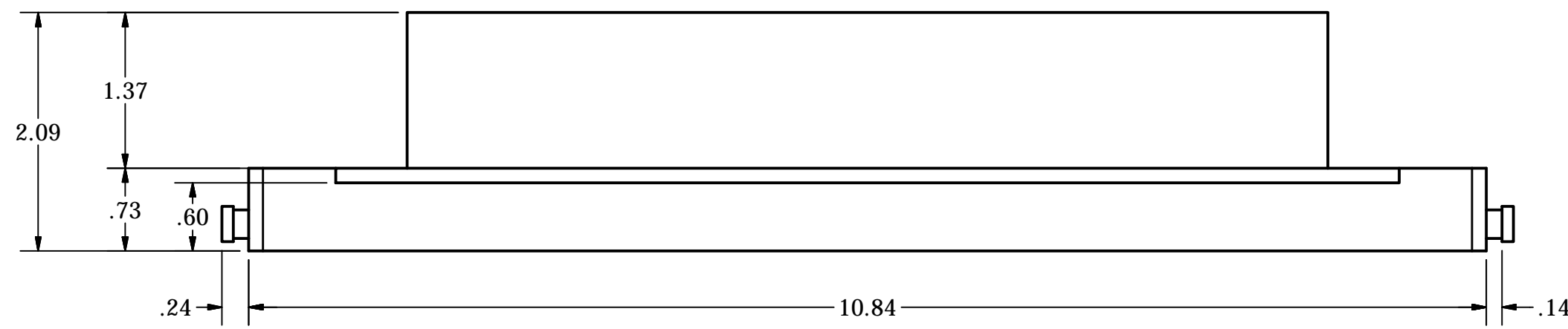
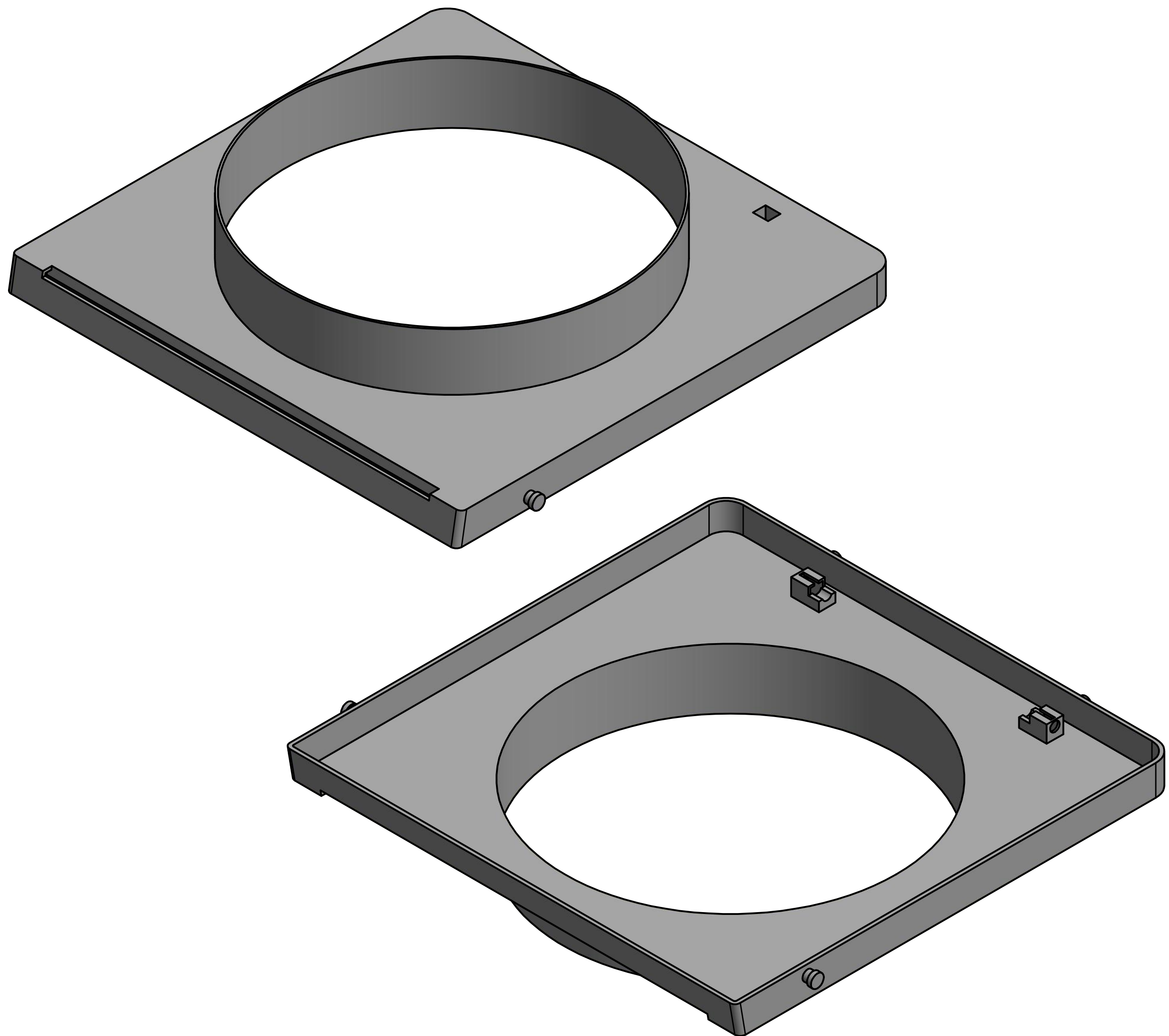
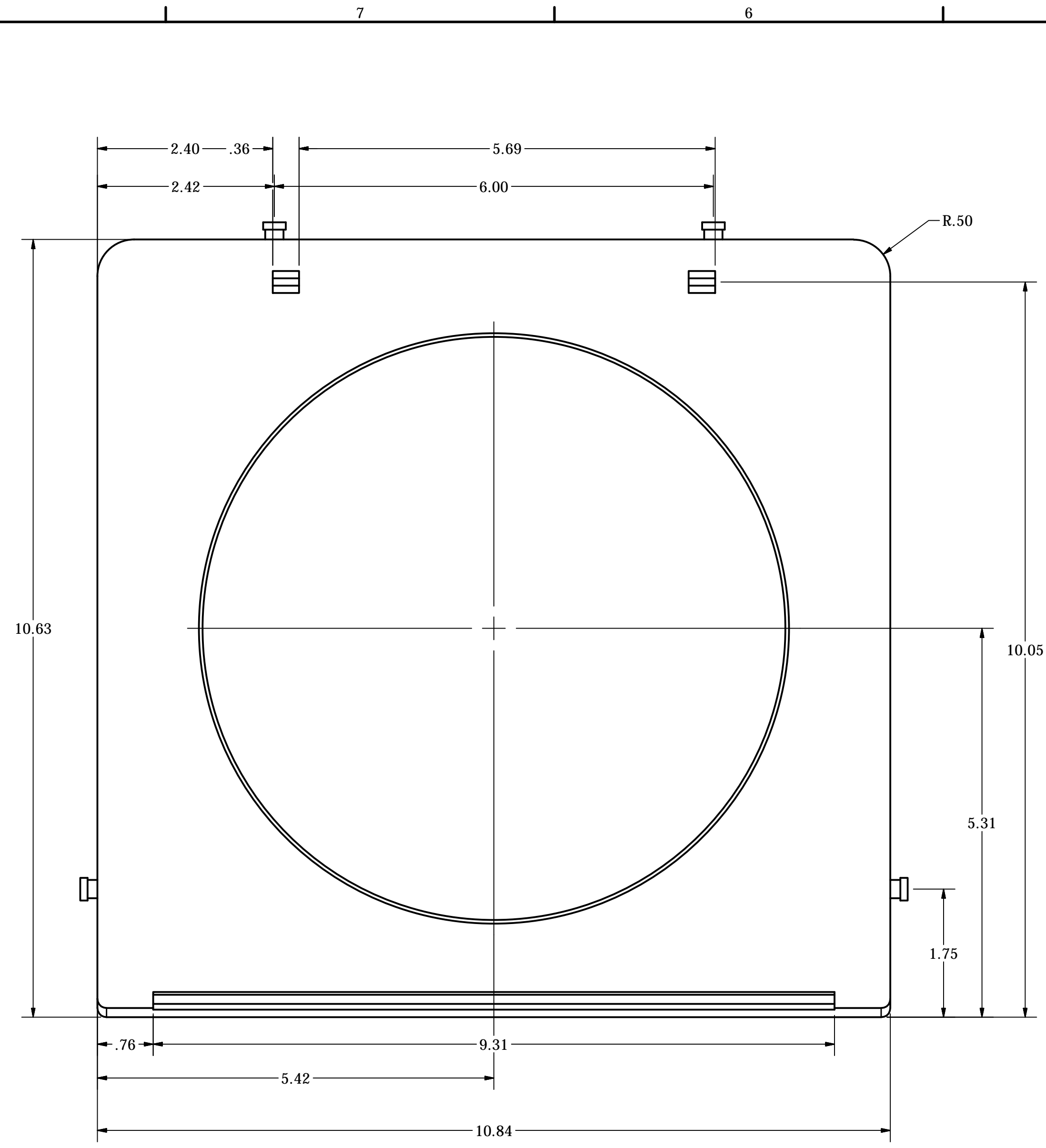
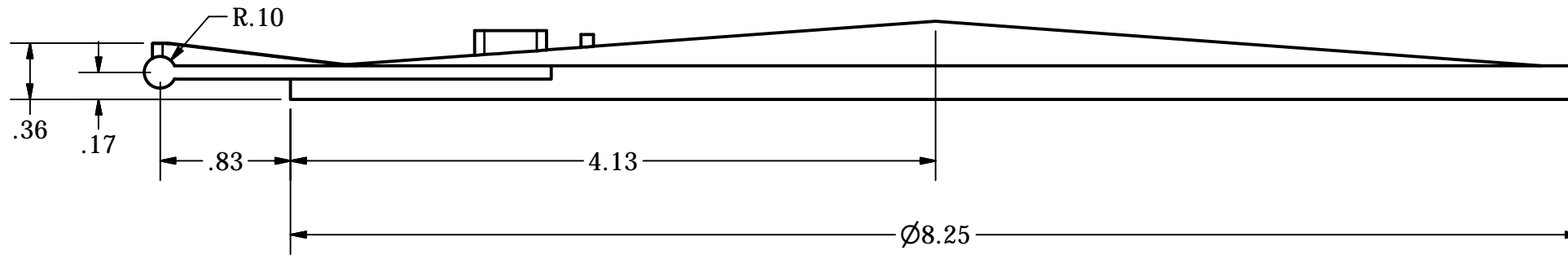
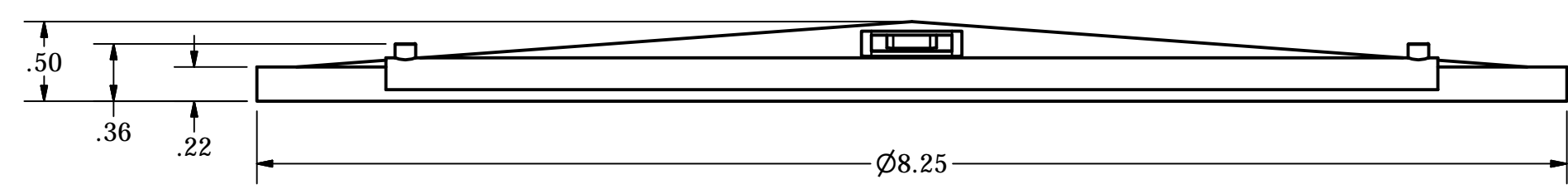
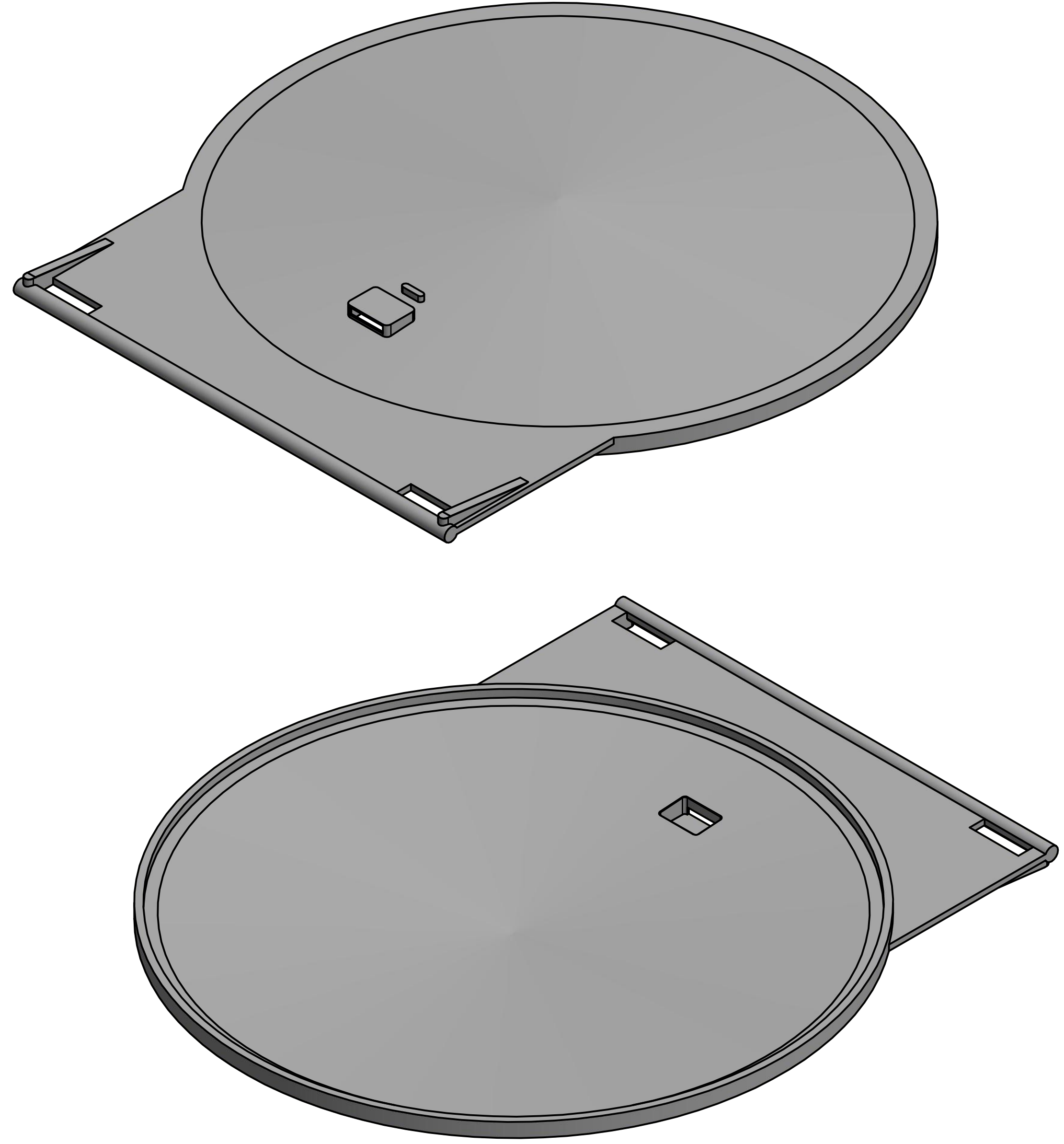
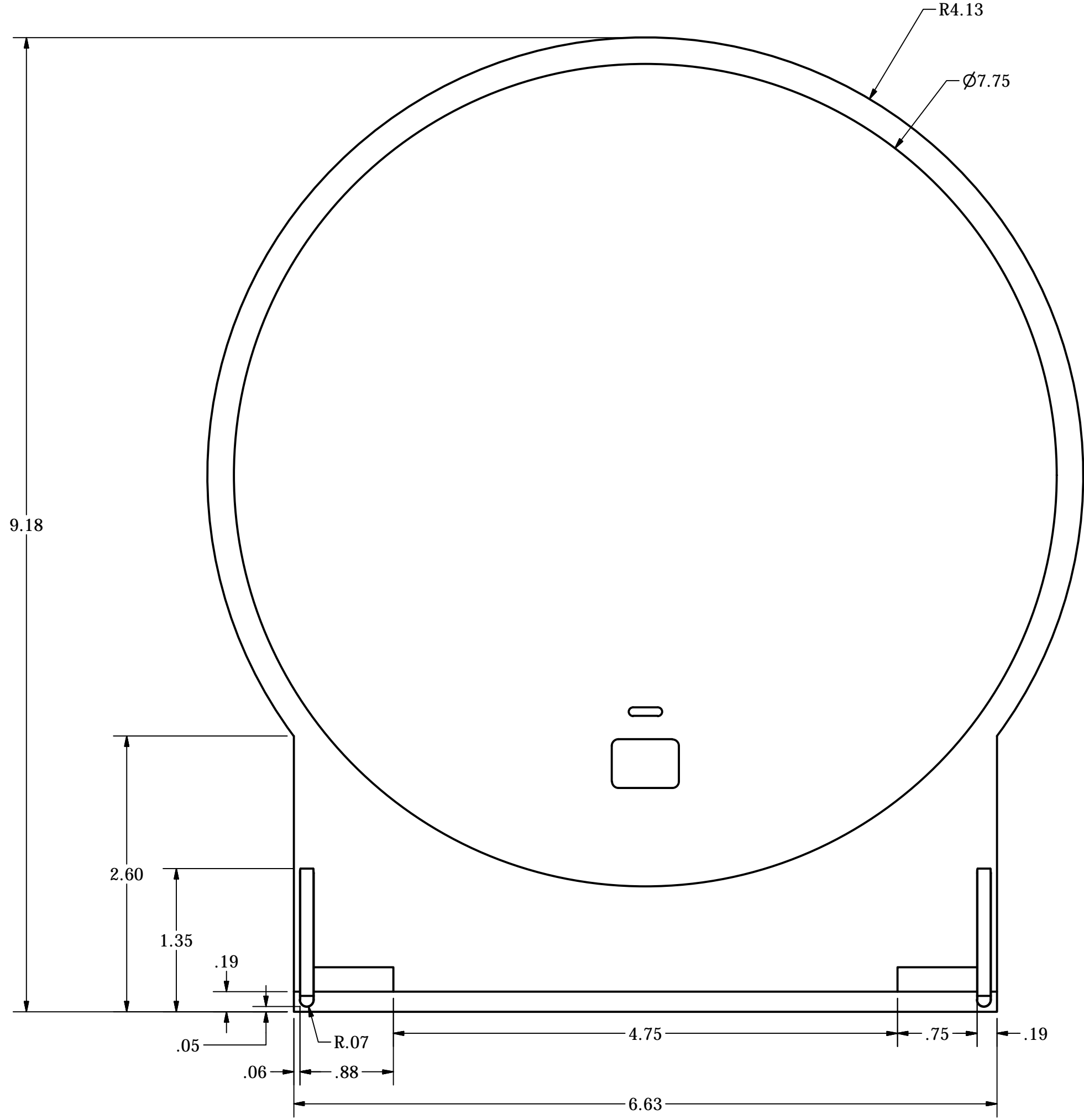


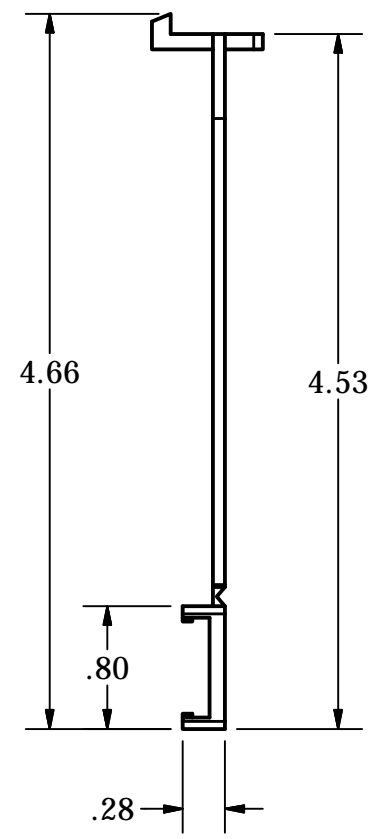
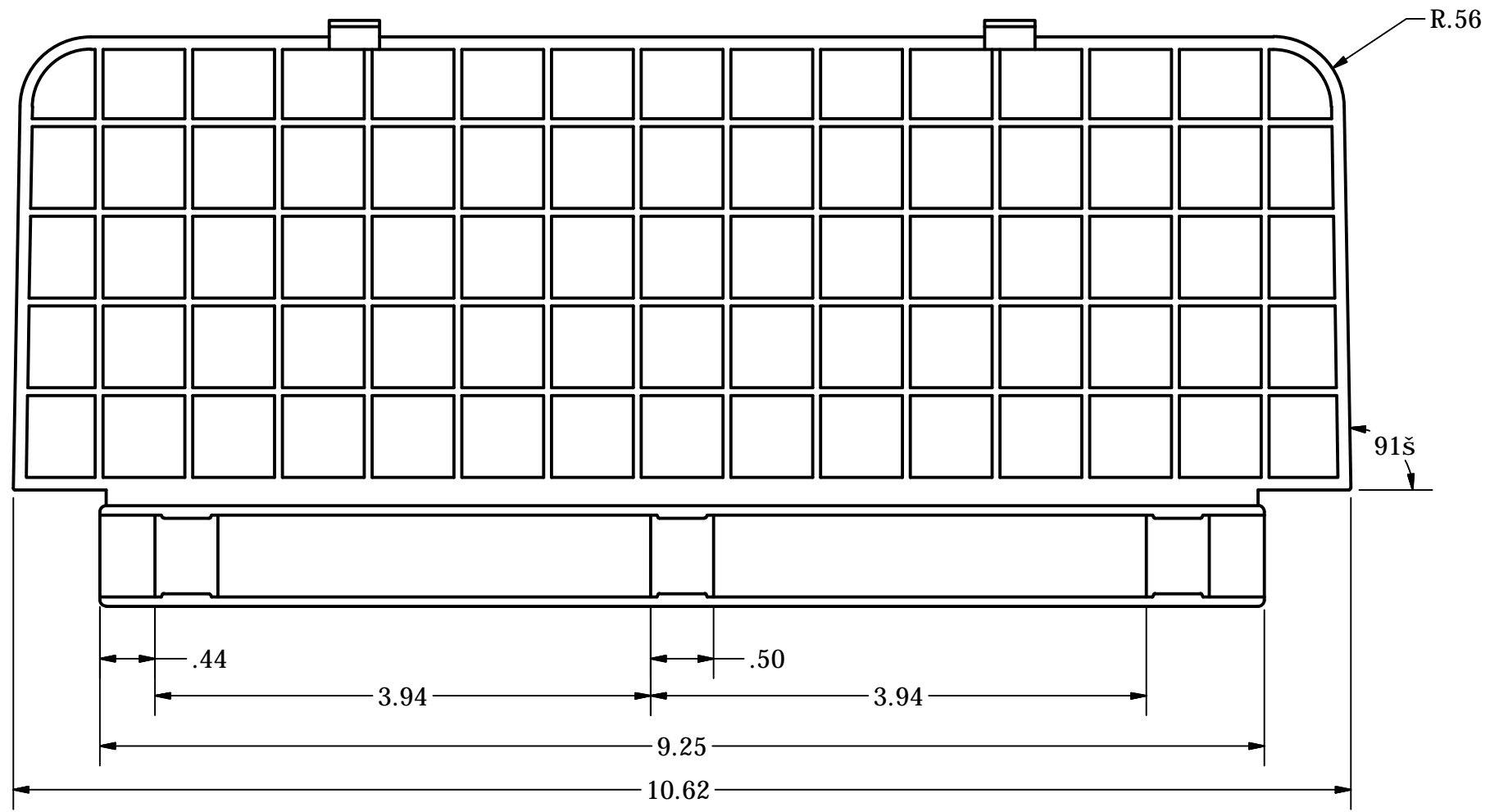
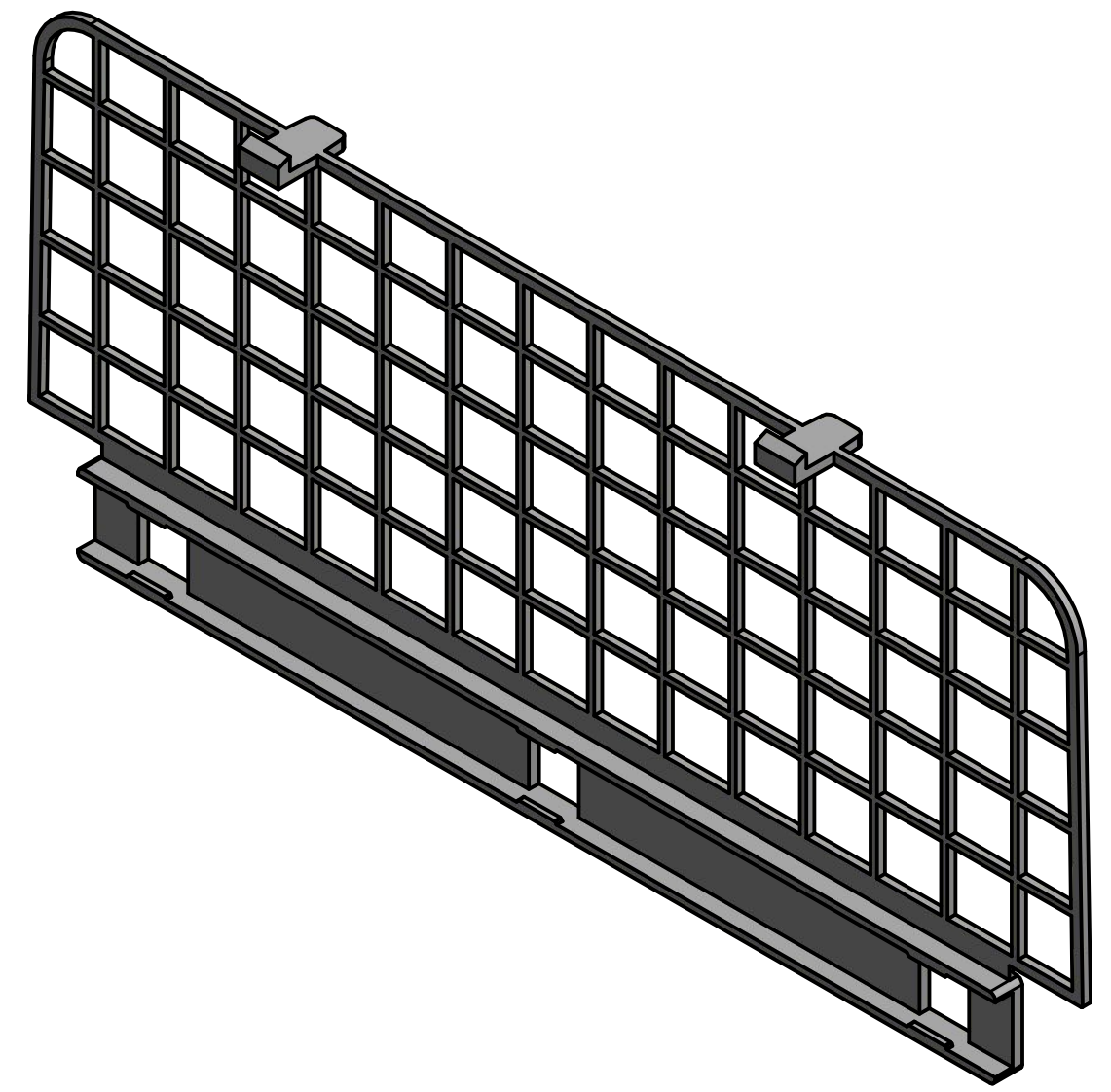
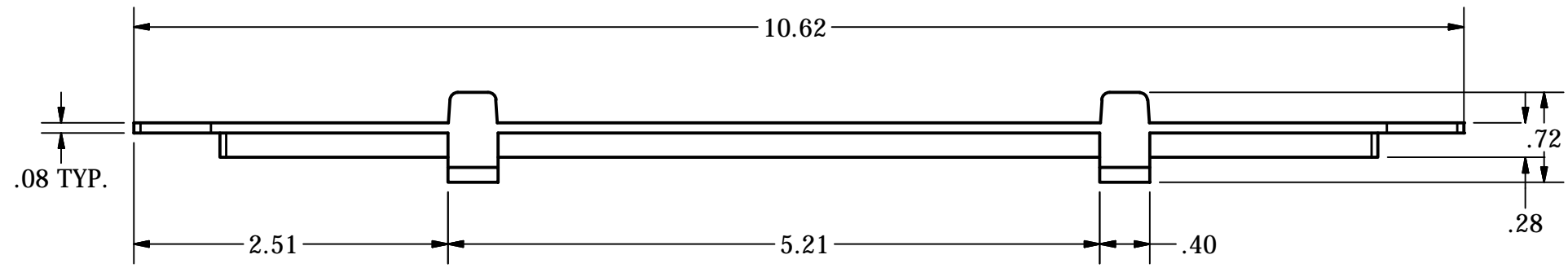
DRAWN JOSEPH VALENTI	11/12/2014	LAMBRO INDUSTRIES, INC.		
CHECKED		TITLE		
QA		LARGE VENT ASSEMBLY		
MFG		SIZE	DWG NO	REV
APPROVED		D	ASSEMBLY	
		SCALE	SHEET 1 OF 1	



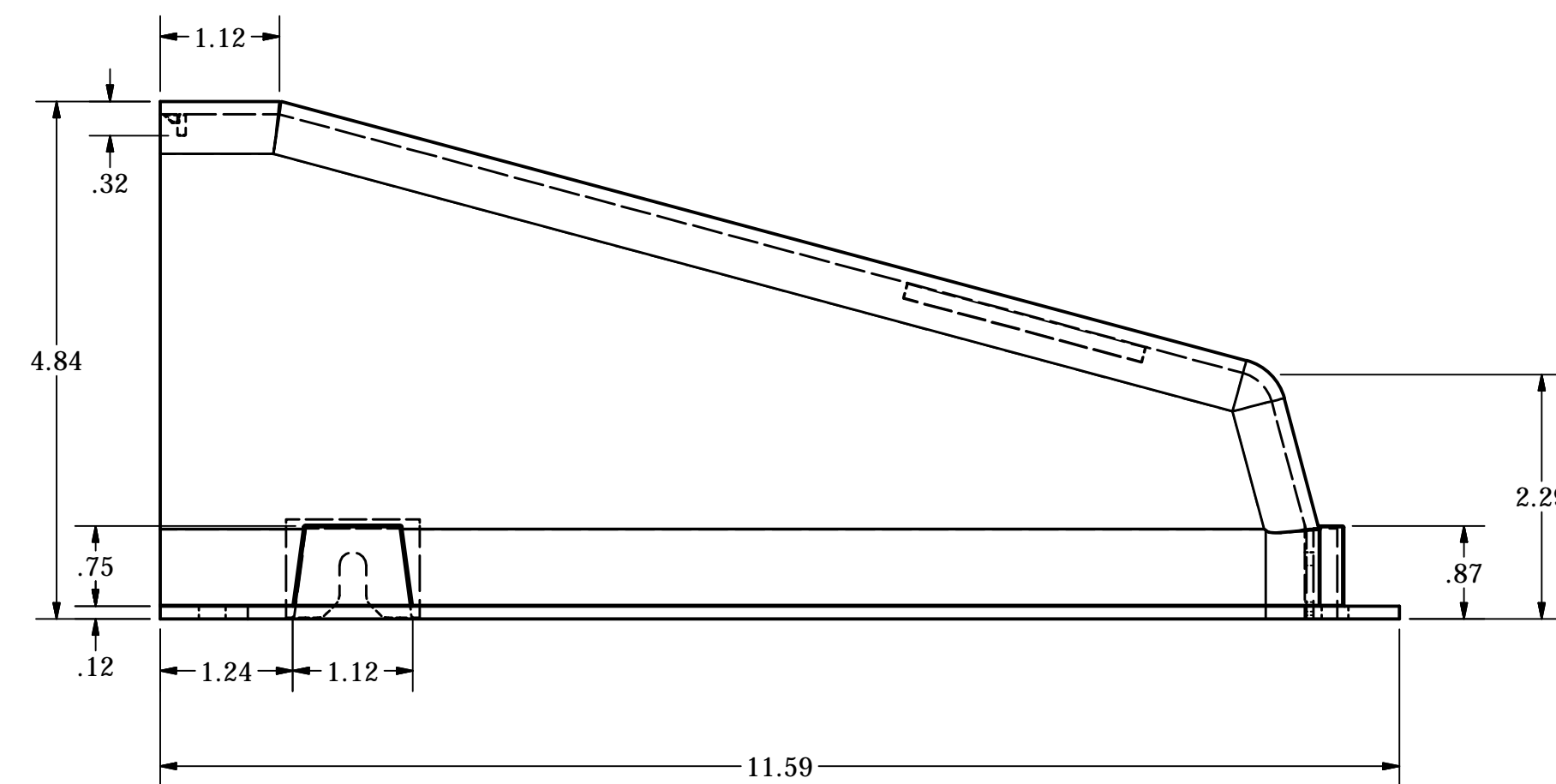
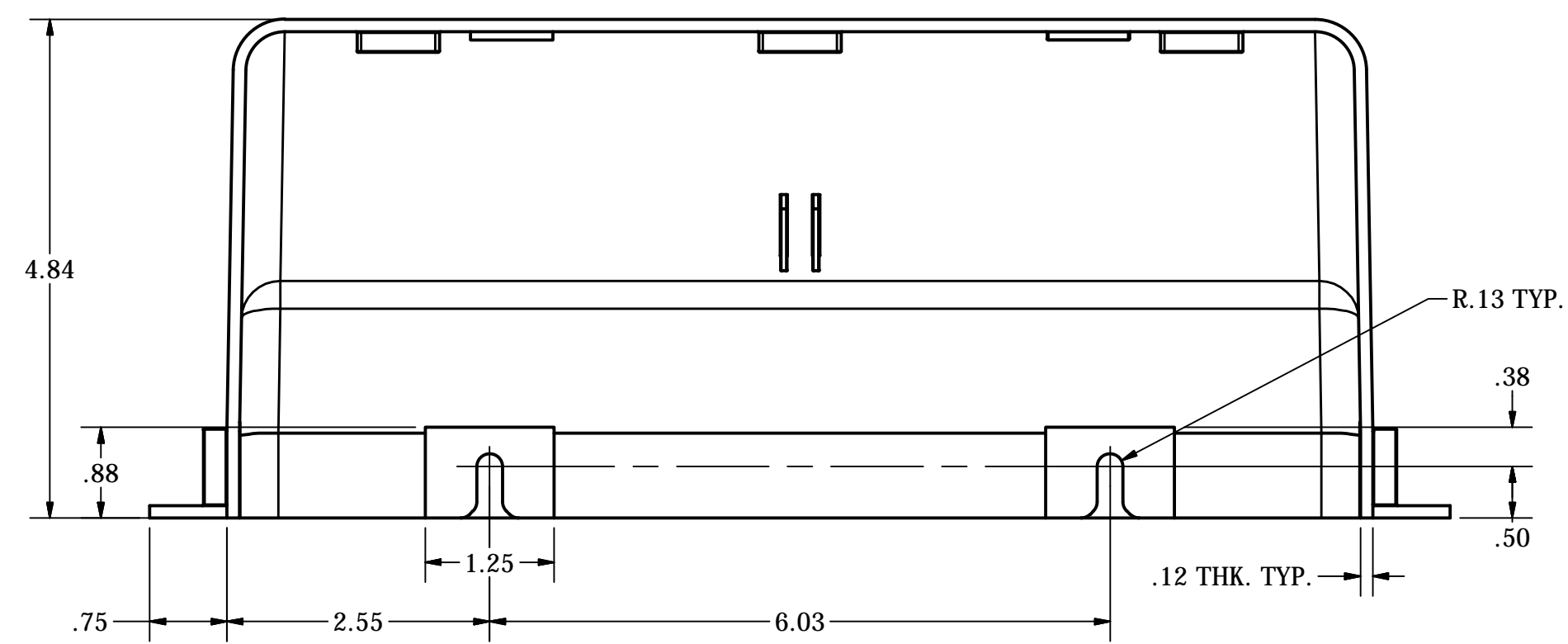
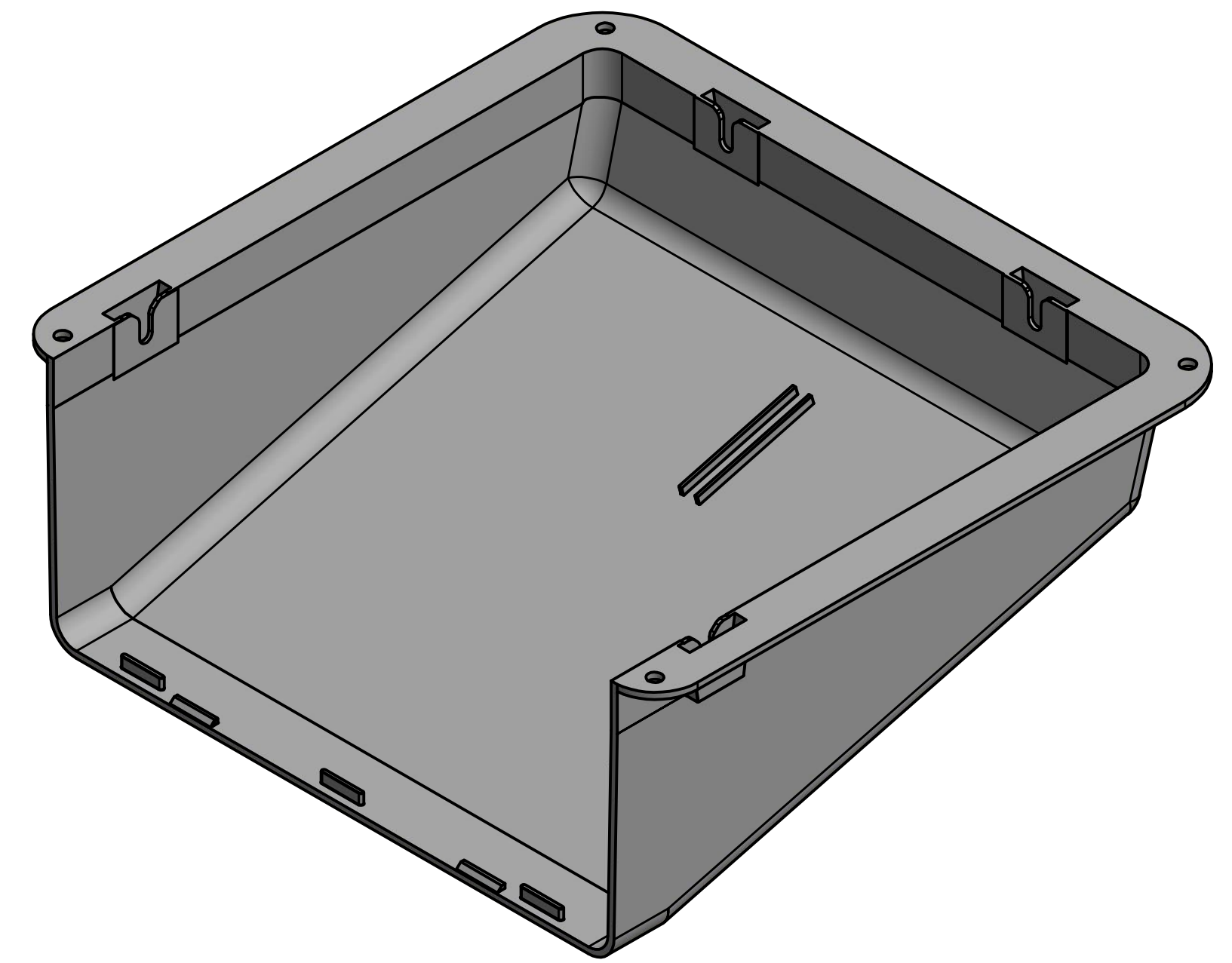
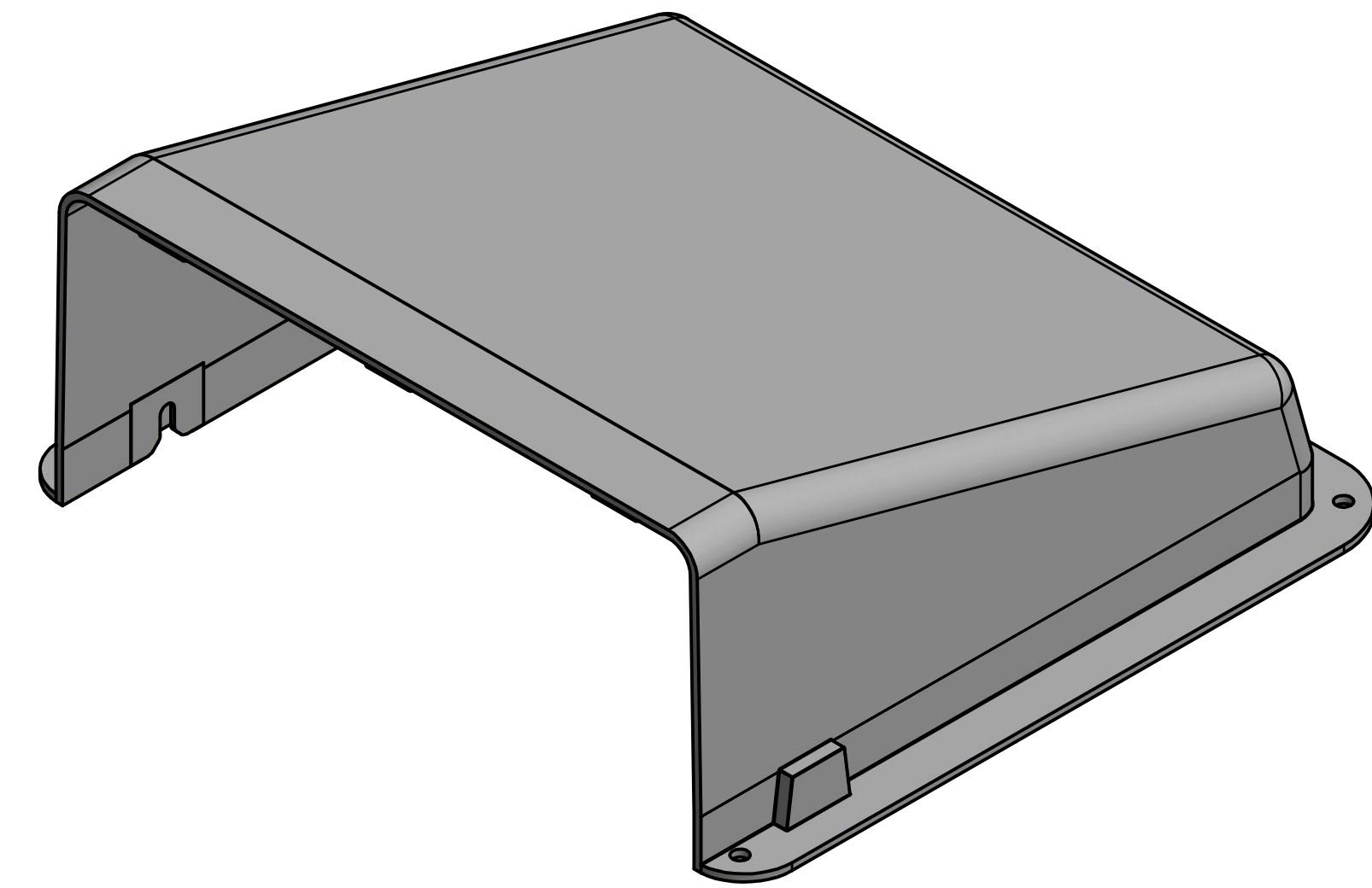
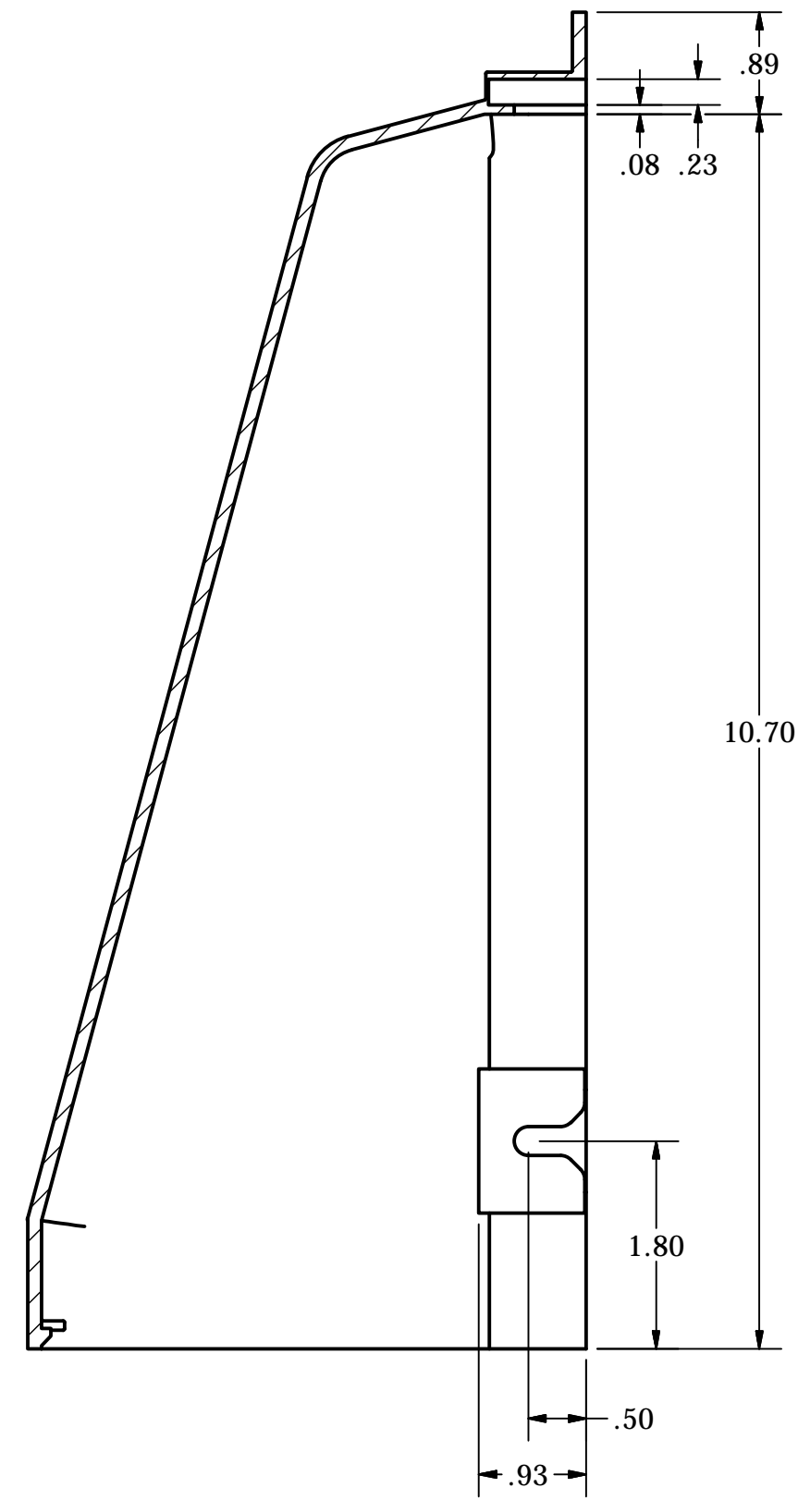
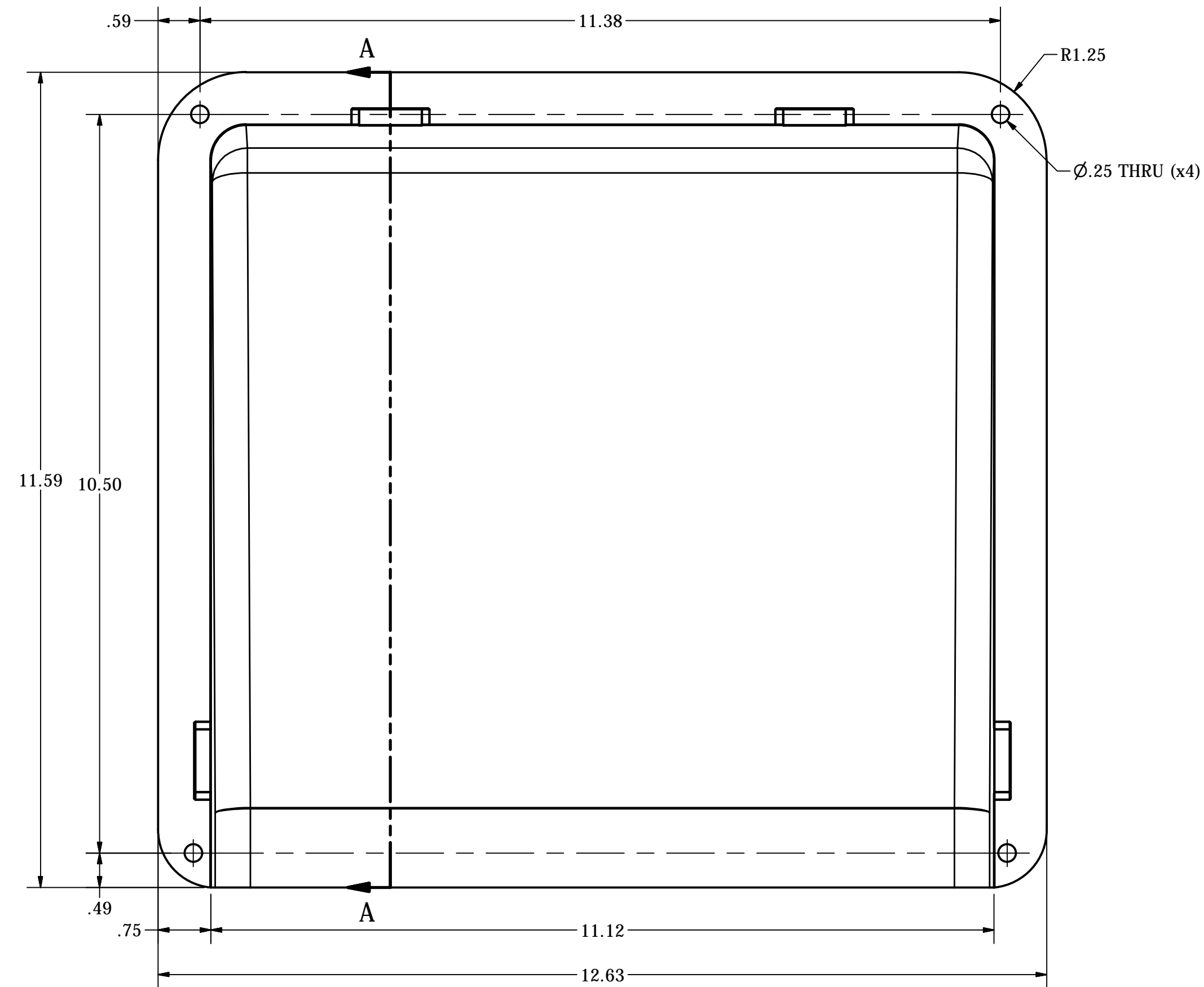
DRAWN	JOSEPH VALENTI	11/12/2014	LAMBRO INDUSTRIES, INC.		
CHECKED			TITLE		
QA			BASE		
MFG			SIZE	DWG NO	REV
APPROVED			D	BASE	
			SCALE		SHEET 1 OF 1



DRAWN	JOSEPH VALENTI	11/12/2014	LAMBRO INDUSTRIES, INC.		
CHECKED			TITLE		
QA			EXHAUST FLAP		
MFG					
APPROVED					
			SIZE	DWG NO	REV
			D	EXHAUST FLAP	
			SCALE	SHEET 1 OF 1	



DRAWN JOSEPH VALENTI		11/12/2014		LAMBRO INDUSTRIES, INC.	
CHECKED				TITLE	
QA				FRONT GRILLE	
MFG				FRONT GRILLE	
APPROVED				FRONT GRILLE	
		SIZE	DWG NO	REV	
		C			
		SCALE		SHEET 1 OF 1	



DRAWN	JOSEPH VALENTI	11/12/2014	LAMBRO INDUSTRIES, INC.		
CHECKED			TITLE		
QA			CAP		
MFG			SIZE		
APPROVED			D	DWG NO	REV
			CAP		
			SCALE	SHEET 1 OF 1	