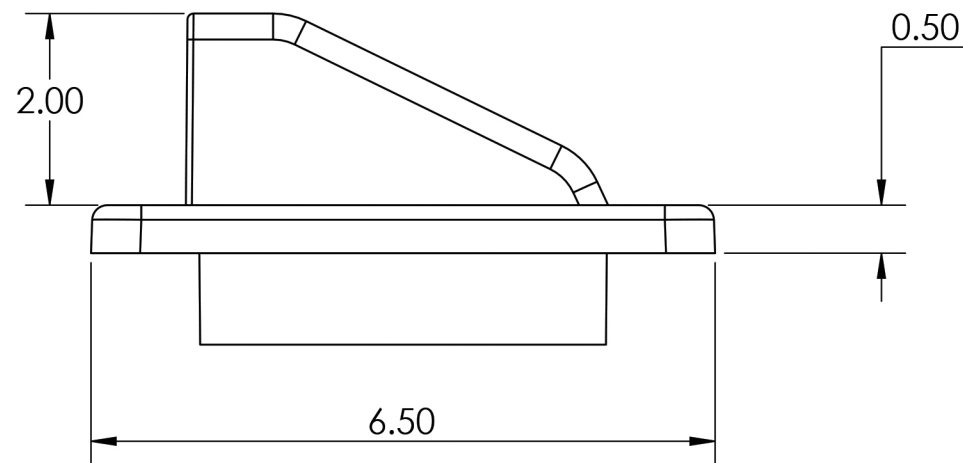
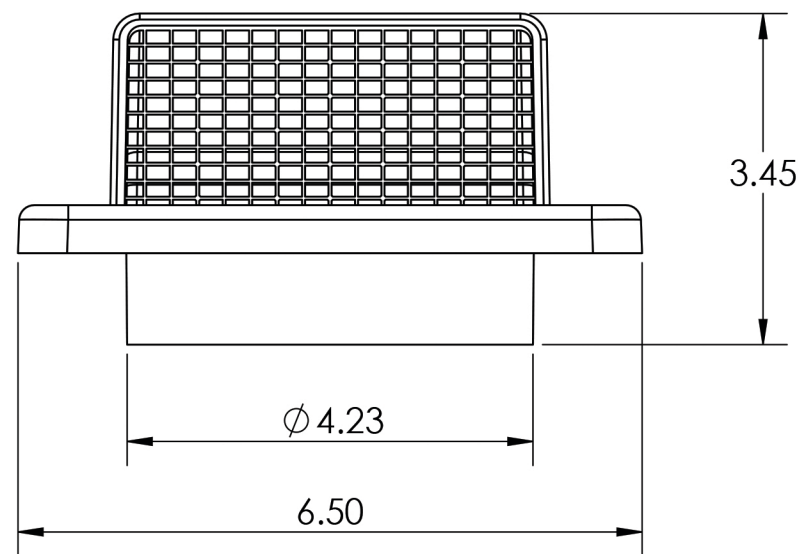
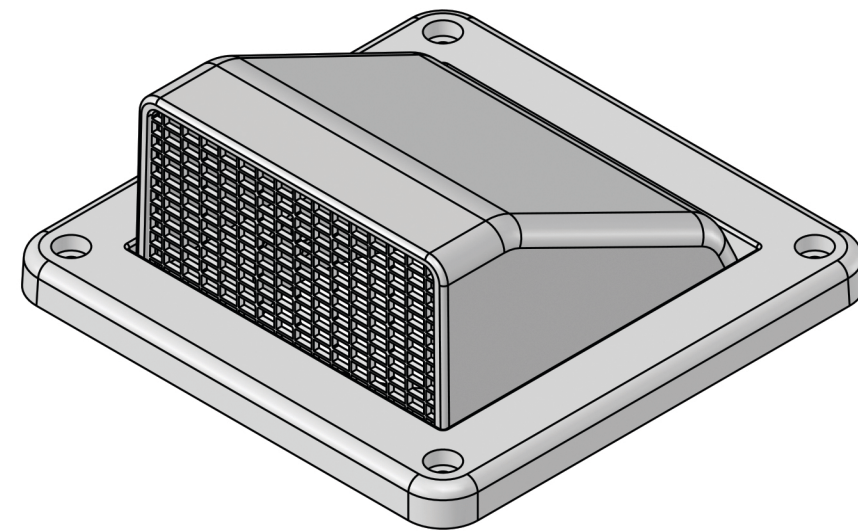
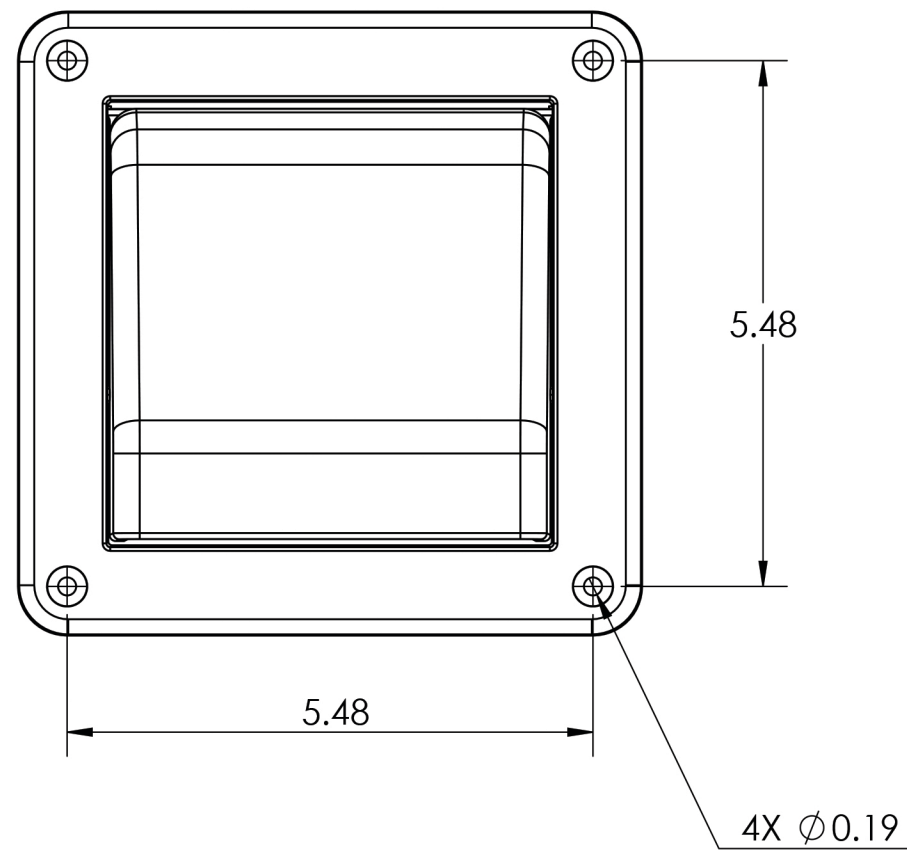


4

3

2

1



Lambro Industries, Inc.  
 115 Albany Ave.  
 Amityville, NY 11701  
 (631) 842-8088  
 www.lambro.net

TITLE: 4" Plastic Fresh Air Intake Hood Vent  
 1" Collar

Made of polymer resin material with UV inhibitor  
 used to help prevent the premature fading of vent

SIZE DWG. NO. REV

**B** 604W-R

SCALE: 1:2 WEIGHT: SHEET 1 OF 1

**PROPRIETARY AND CONFIDENTIAL**  
 THE INFORMATION CONTAINED IN THIS  
 DRAWING IS THE SOLE PROPERTY OF  
 LAMBRO. ANY REPRODUCTION IN PART  
 OR AS A WHOLE WITHOUT THE WRITTEN  
 PERMISSION OF LAMBRO IS PROHIBITED.

UNLESS OTHERWISE SPECIFIED:		NAME	DATE
DIMENSIONS ARE IN INCHES		DRAWN	
TOLERANCES:		CHECKED	
FRACTIONAL ±1/16		ENG APPR.	
ANGULAR: MACH ±1 BEND ±.01		MFG APPR.	
TWO PLACE DECIMAL ±0.01		Q.A.	
THREE PLACE DECIMAL ±0.005		COMMENTS:	
INTERPRET GEOMETRIC TOLERANCING PER:		Net Free Area (NFA)	
MATERIAL		Without Screen: 9 sq. in.	
FINISH		With Screen: 3 sq. in.	
NEXT ASSY	USED ON		
APPLICATION		DO NOT SCALE DRAWING	



4

3

2

1

B

B

A

A