

4

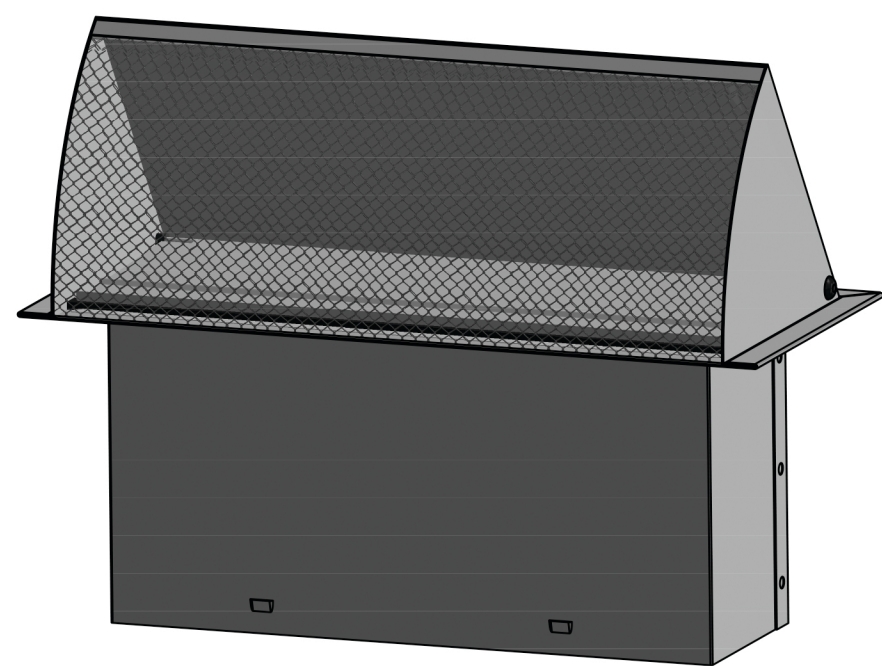
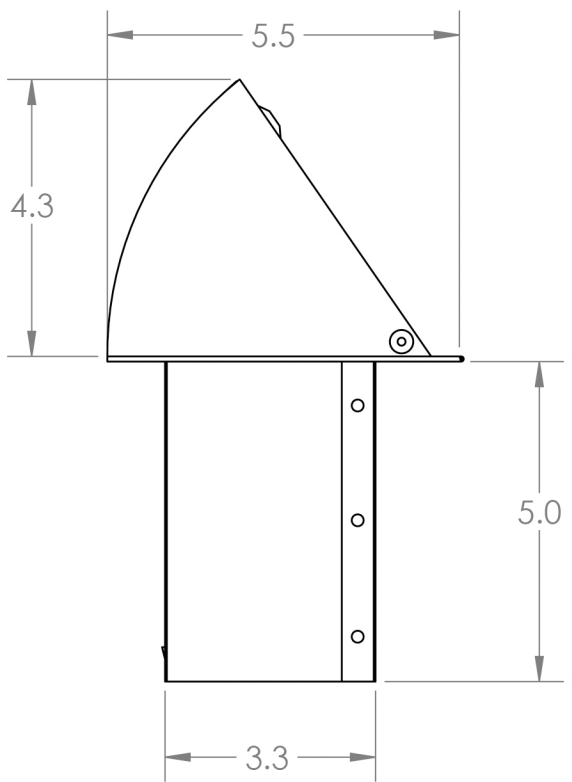
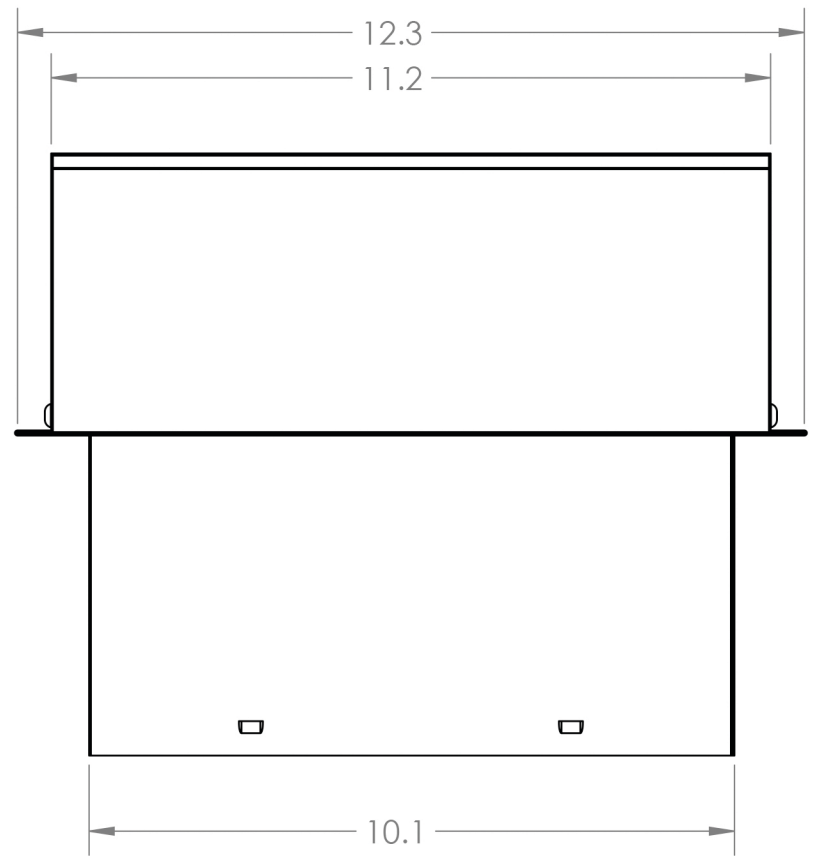
3

2

1

B

B



A

A



Lambro Industries, Inc.
 115 Albany Ave.
 Amityville, NY 11701
 (631) 842-8088
 www.lambro.net

PROPRIETARY AND CONFIDENTIAL
 THE INFORMATION CONTAINED IN THIS DRAWING IS THE SOLE PROPERTY OF LAMBRO. ANY REPRODUCTION IN PART OR AS A WHOLE WITHOUT THE WRITTEN PERMISSION OF LAMBRO IS PROHIBITED.

		UNLESS OTHERWISE SPECIFIED:		NAME	DATE
		DIMENSIONS ARE IN INCHES	DRAWN		
		TOLERANCES:	CHECKED		
		FRACTIONAL: ±1/16	ENG APPR.		
		ANGULAR: MACH ±1 BEND ±.01	MFG APPR.		
		TWO PLACE DECIMAL ±0.01	Q.A.		
		THREE PLACE DECIMAL ±0.005	COMMENTS:		
		INTERPRET GEOMETRIC TOLERANCING PER:	Net Free Area (NFA)		
		MATERIAL	Without Screen: 52 sq. in.		
		FINISH	With Screen: 28 sq. in.		
NEXT ASSY	USED ON		Spring controlled damper		
APPLICATION		DO NOT SCALE DRAWING			

TITLE: 3.25" x 10" Aluminum Wall
 Exhaust Vent - Damper & Screen

Cover & Base: 22 Gauge
 Damper: 30 Gauge
 Pipe: 22 Gauge

SIZE	DWG. NO.	REV
B	106S	
SCALE: 1:3	WEIGHT:	SHEET 1 OF 1

4

3

2

1