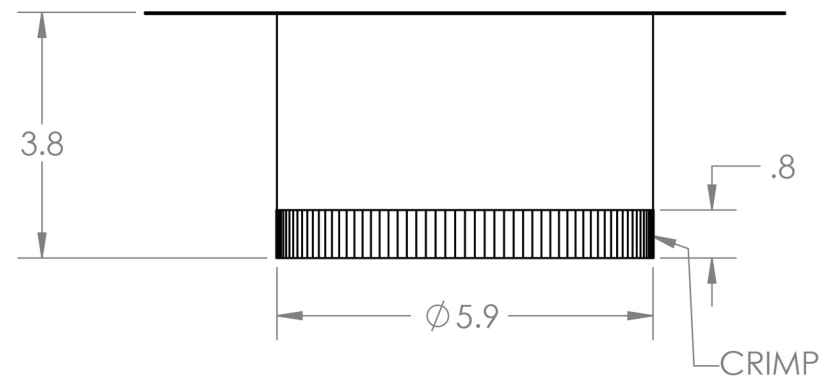
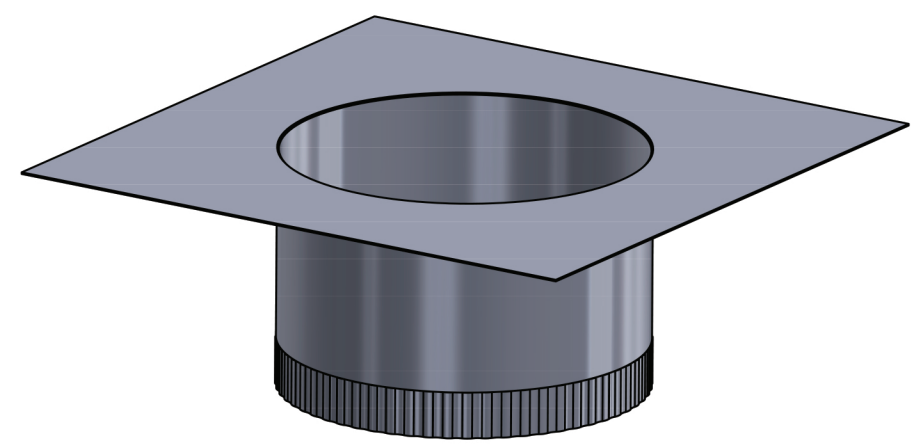
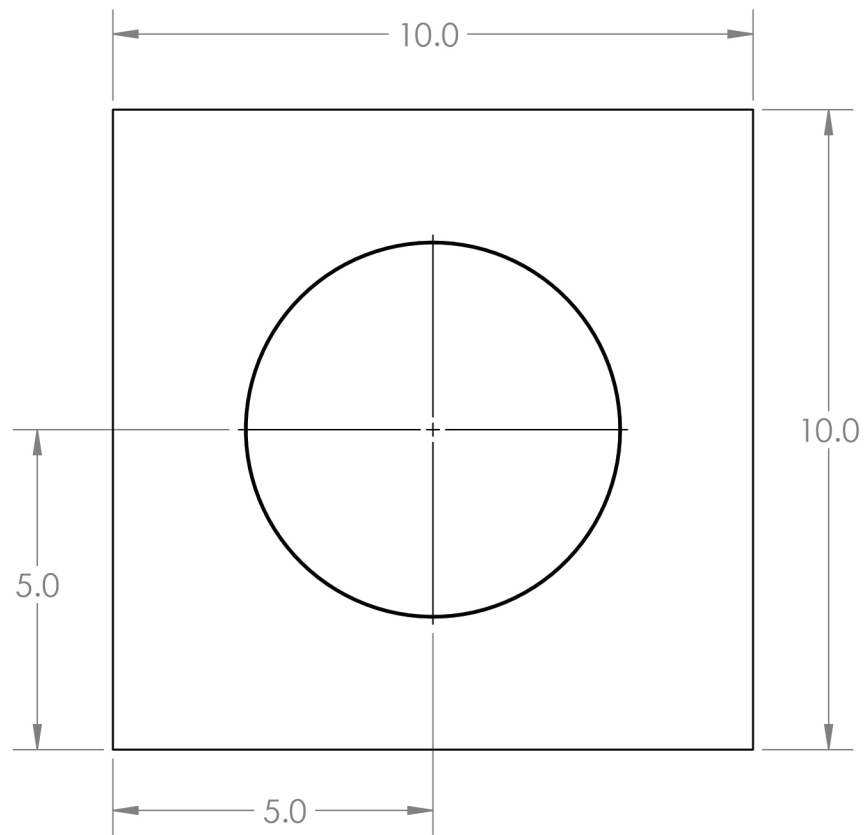


4

3

2

1



Lambro Industries, Inc.  
 115 Albany Ave.  
 Amityville, NY 11701  
 (631) 842-8088  
 www.lambro.net

TITLE: 6" Galvanized Steel Roof Vent Jack

30 Gauge

SIZE	DWG. NO.	REV
<b>B</b>	<b>1313-6</b>	
SCALE: 1:3	WEIGHT:	SHEET 1 OF 1

UNLESS OTHERWISE SPECIFIED:		NAME	DATE
DIMENSIONS ARE IN INCHES		DRAWN	
TOLERANCES:		CHECKED	
FRACTIONAL $\pm 1/16$		ENG APPR.	
ANGULAR: MACH $\pm 1$ BEND $\pm 0.01$		MFG APPR.	
TWO PLACE DECIMAL $\pm 0.01$		Q.A.	
THREE PLACE DECIMAL $\pm 0.005$		COMMENTS:	
INTERPRET GEOMETRIC TOLERANCING PER:			
MATERIAL			
FINISH			
NEXT ASSY	USED ON		
APPLICATION		DO NOT SCALE DRAWING	

**PROPRIETARY AND CONFIDENTIAL**  
 THE INFORMATION CONTAINED IN THIS DRAWING IS THE SOLE PROPERTY OF LAMBRO. ANY REPRODUCTION IN PART OR AS A WHOLE WITHOUT THE WRITTEN PERMISSION OF LAMBRO IS PROHIBITED.



4

3

2

1

B

B

A

A