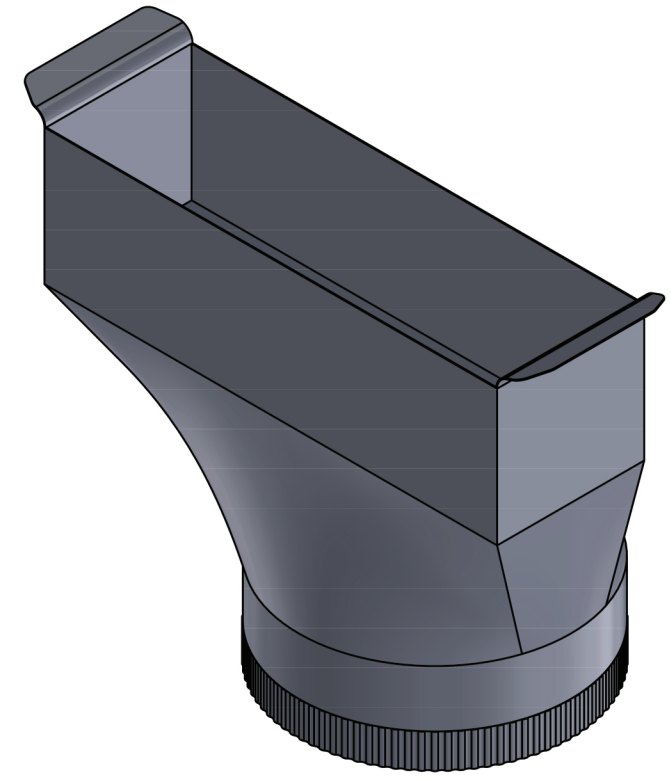
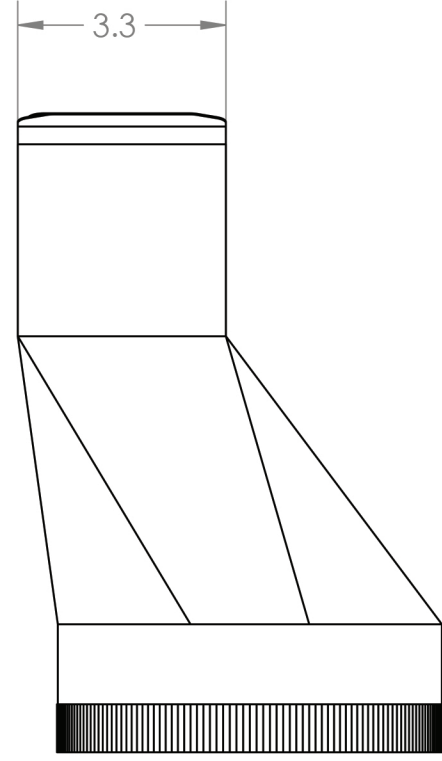
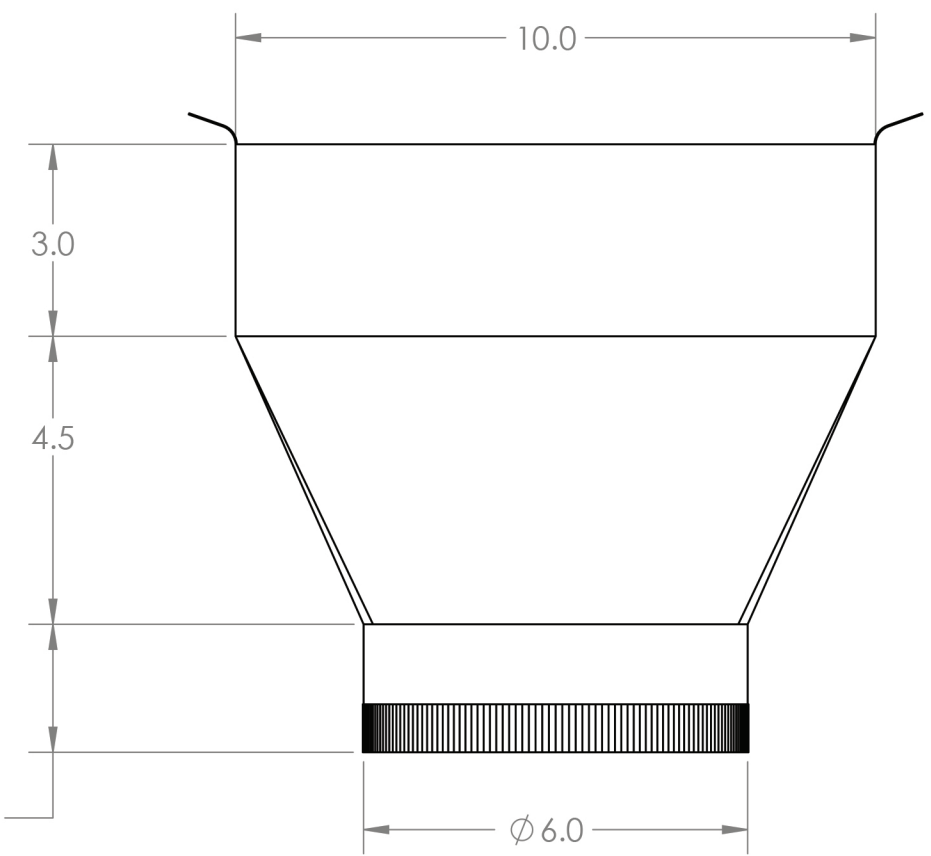
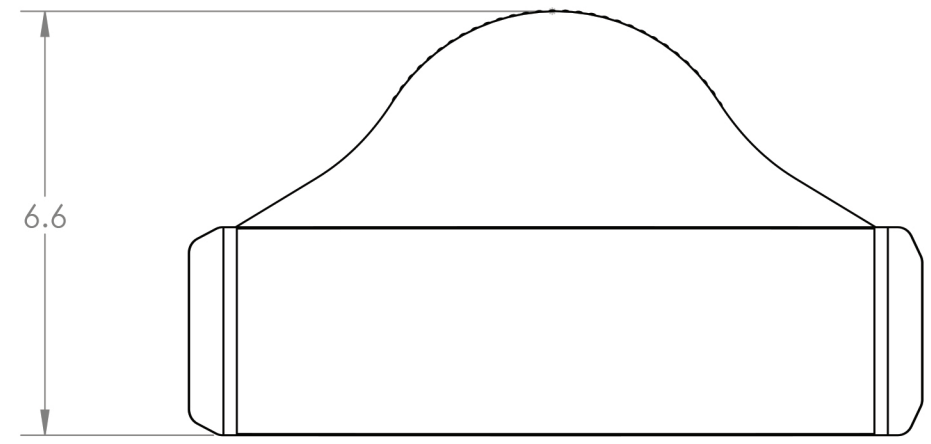


4

3

2

1



B

B

A

A



PROPRIETARY AND CONFIDENTIAL
 THE INFORMATION CONTAINED IN THIS DRAWING IS THE SOLE PROPERTY OF LAMBRO. ANY REPRODUCTION IN PART OR AS A WHOLE WITHOUT THE WRITTEN PERMISSION OF LAMBRO IS PROHIBITED.

		UNLESS OTHERWISE SPECIFIED:	NAME	DATE
		DIMENSIONS ARE IN INCHES	DRAWN	
		TOLERANCES:	CHECKED	
		FRACTIONAL $\pm 1/16$	ENG APPR.	
		ANGULAR: MACH ± 1 BEND ± 0.01	MFG APPR.	
		TWO PLACE DECIMAL ± 0.01	Q.A.	
		THREE PLACE DECIMAL ± 0.005	COMMENTS:	
		INTERPRET GEOMETRIC TOLERANCING PER:		
		MATERIAL		
		FINISH		
NEXT ASSY	USED ON			
APPLICATION		DO NOT SCALE DRAWING		

LAMBRO Lambro Industries, Inc.
 115 Albany Ave.
 Amityville, NY 11701
 (631) 842-8088
 www.lambro.net

TITLE: 3 1/4" x 10" to 6" Round Galvanized Steel
 Offset Register Boot
 30 Gauge

SIZE	DWG. NO.	REV
B	133MFG	
SCALE: 1:3	WEIGHT:	SHEET 1 OF 1

4

3

2

1