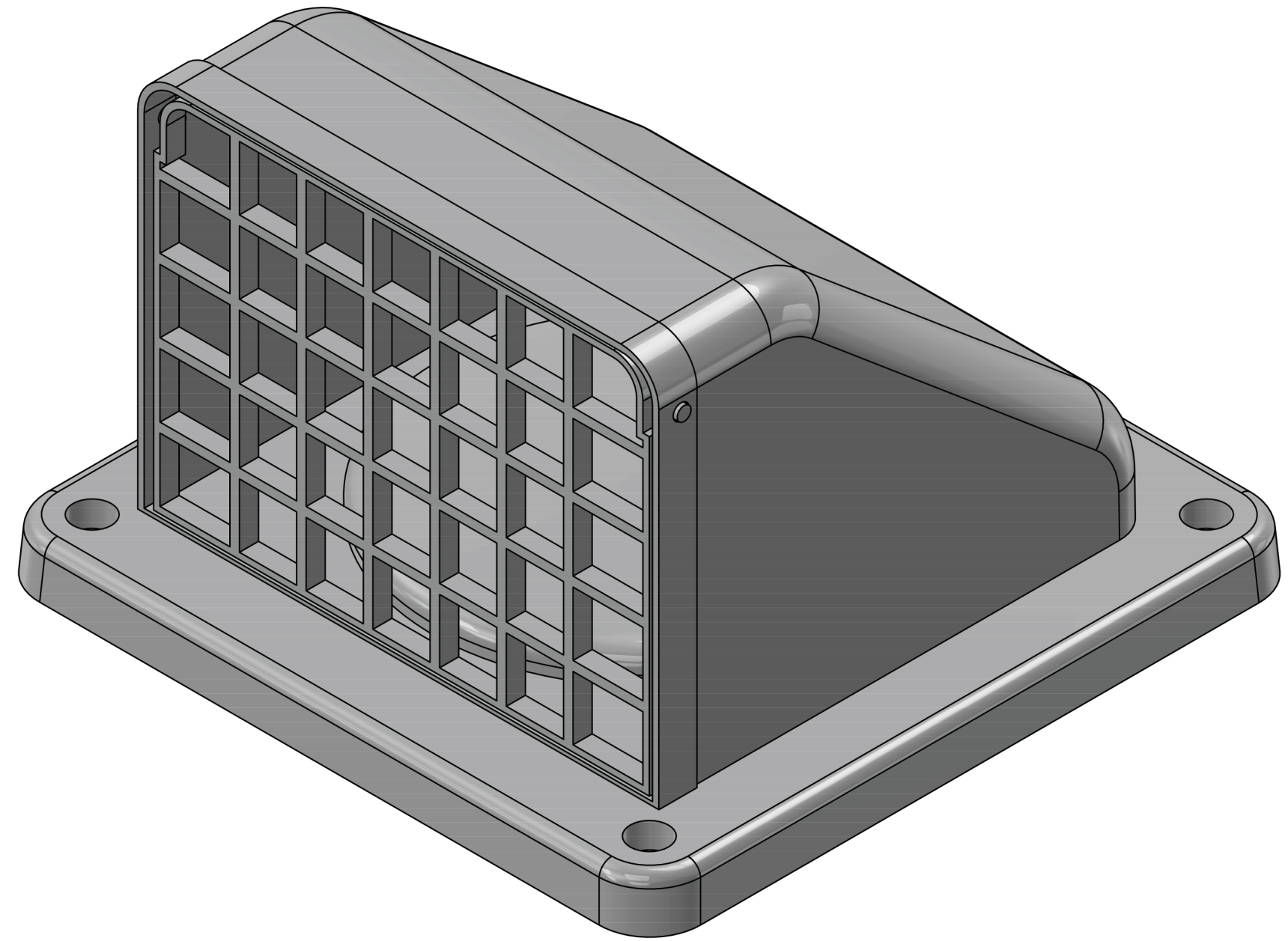
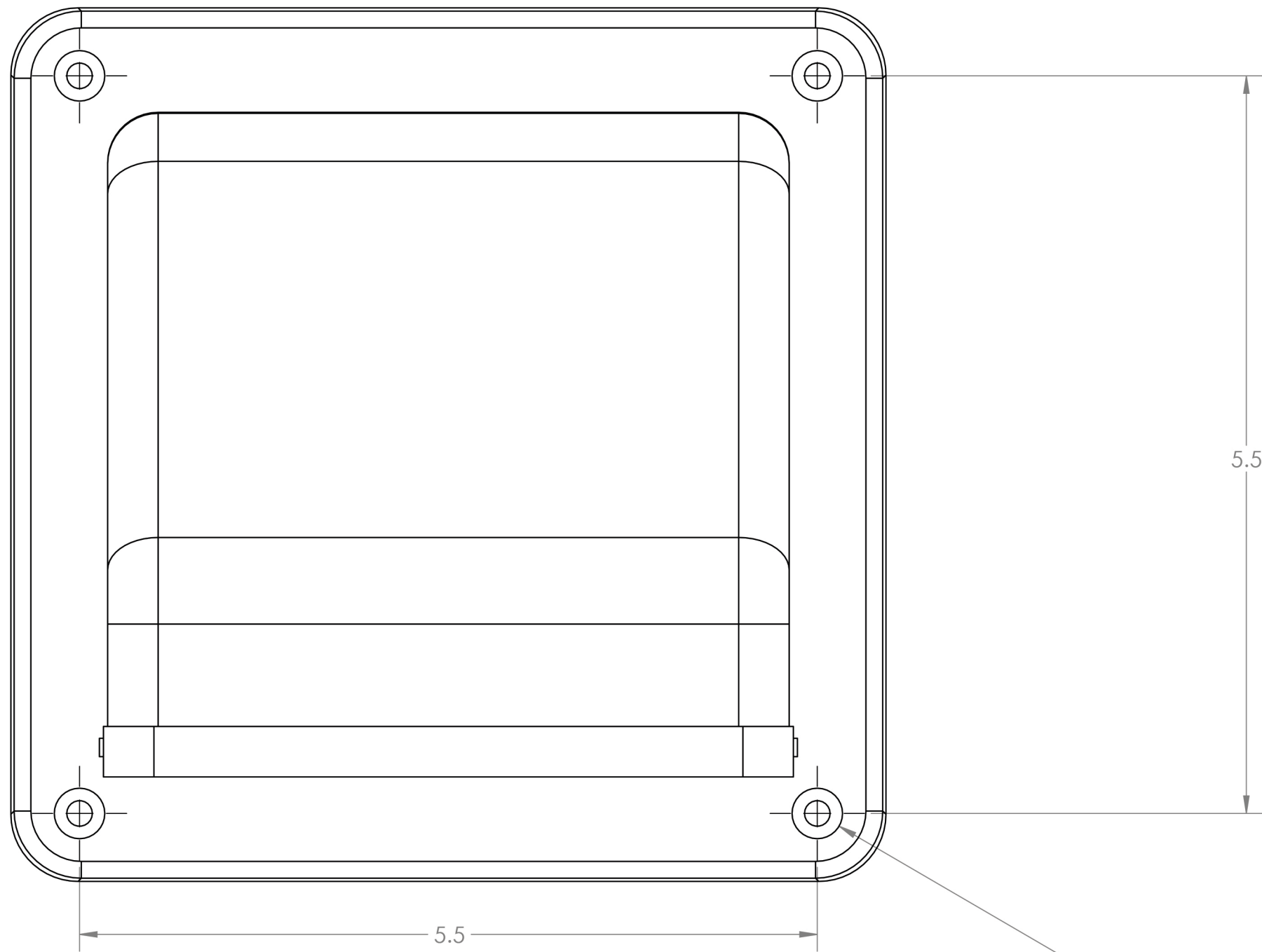


4

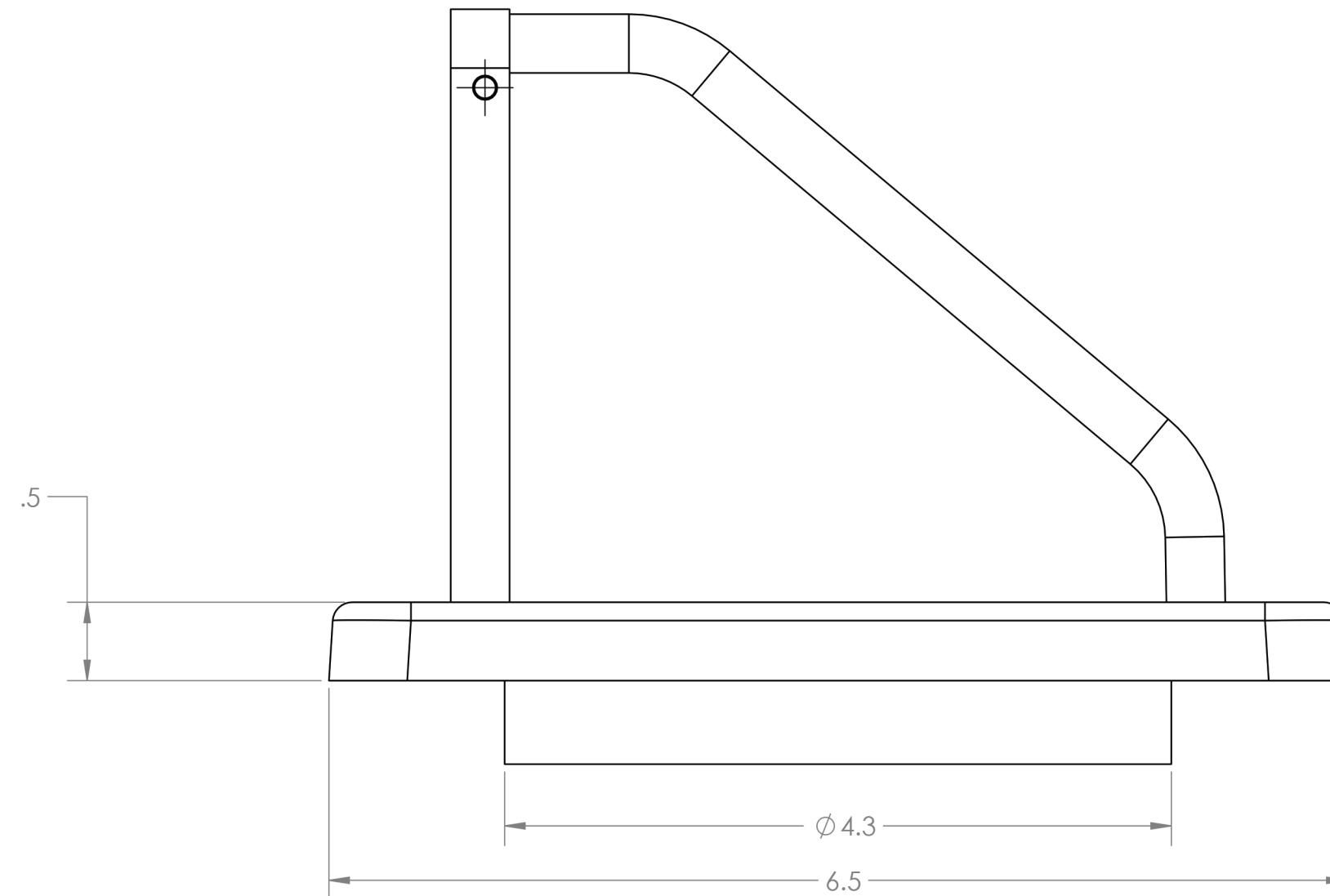
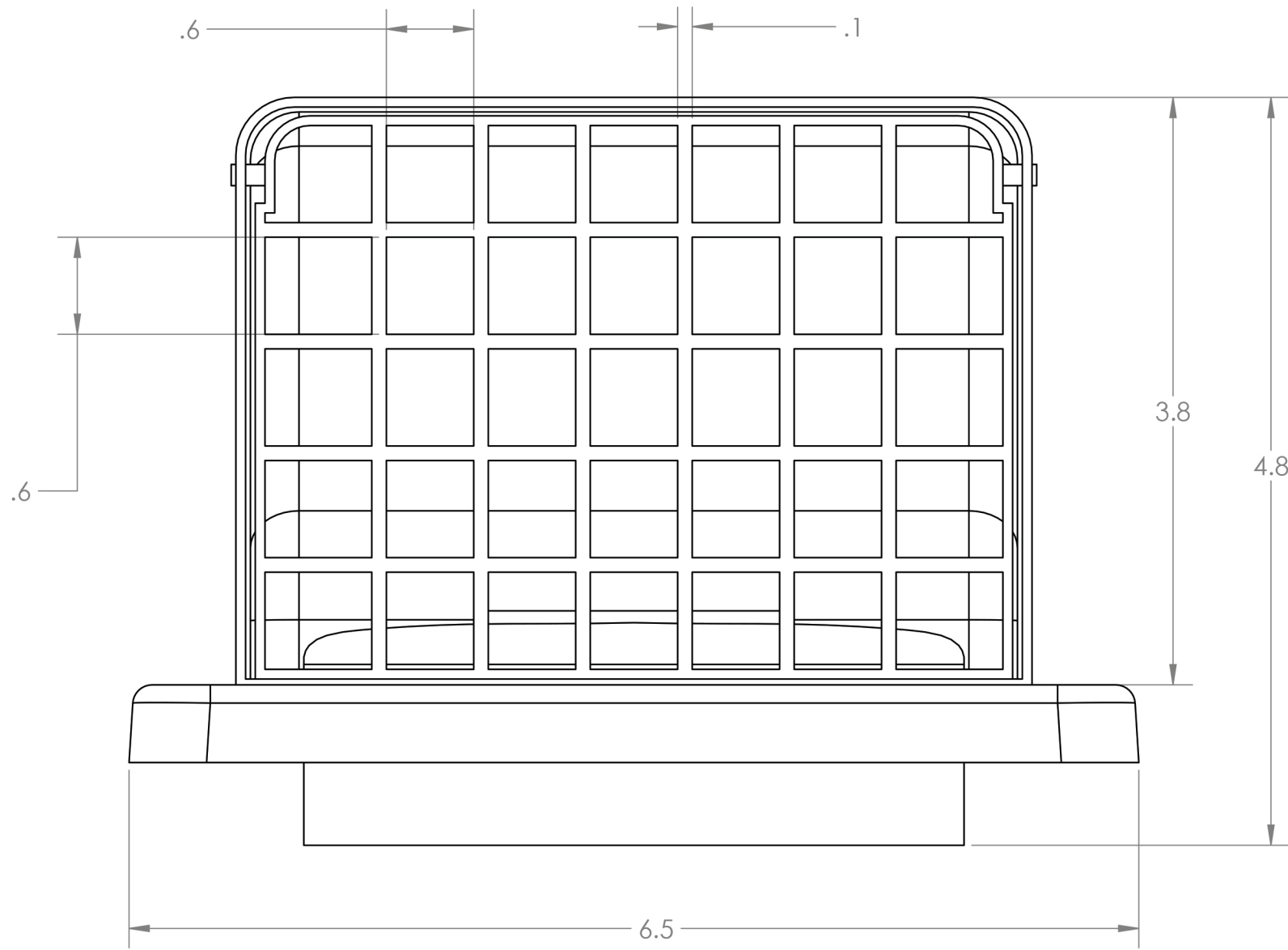
3

2

1



4X  $\phi$  .2 THRU ALL  
 $\square$   $\phi$  .4  $\nabla$  .3



**LAMBRO** Lambro Industries, Inc.  
 115 Albany Ave.  
 Amityville, NY 11701  
 (631) 842-8088  
 www.lambro.net

**PROPRIETARY AND CONFIDENTIAL**  
 THE INFORMATION CONTAINED IN THIS DRAWING IS THE SOLE PROPERTY OF LAMBRO. ANY REPRODUCTION IN PART OR AS A WHOLE WITHOUT THE WRITTEN PERMISSION OF LAMBRO IS PROHIBITED.

UNLESS OTHERWISE SPECIFIED:		NAME	DATE
DIMENSIONS ARE IN INCHES		DRAWN	
TOLERANCES:		CHECKED	
FRACTIONAL $\pm$ 1/16		ENG APPR.	
ANGULAR: MACH $\pm$ 1 BEND $\pm$ .01		MFG APPR.	
TWO PLACE DECIMAL $\pm$ 0.01		Q.A.	
THREE PLACE DECIMAL $\pm$ 0.005		COMMENTS:	
INTERPRET GEOMETRIC TOLERANCING PER:		Net Free Area (NFA)	
MATERIAL		Without Screen: 18 sq. in.	
FINISH		With Screen: 13 sq. in.	
APPLICATION	DO NOT SCALE DRAWING		

TITLE: 4" Plastic Wall Exhaust Hood Vent  
 Damper - Removable Screen - 1" Collar  
 Made of polymer resin material with UV inhibitor used to help prevent the premature fading of vent

SIZE DWG. NO. REV  
**C 1471W**  
 SCALE: 1:1 WEIGHT: SHEET 1 OF 1



4

3

2

1