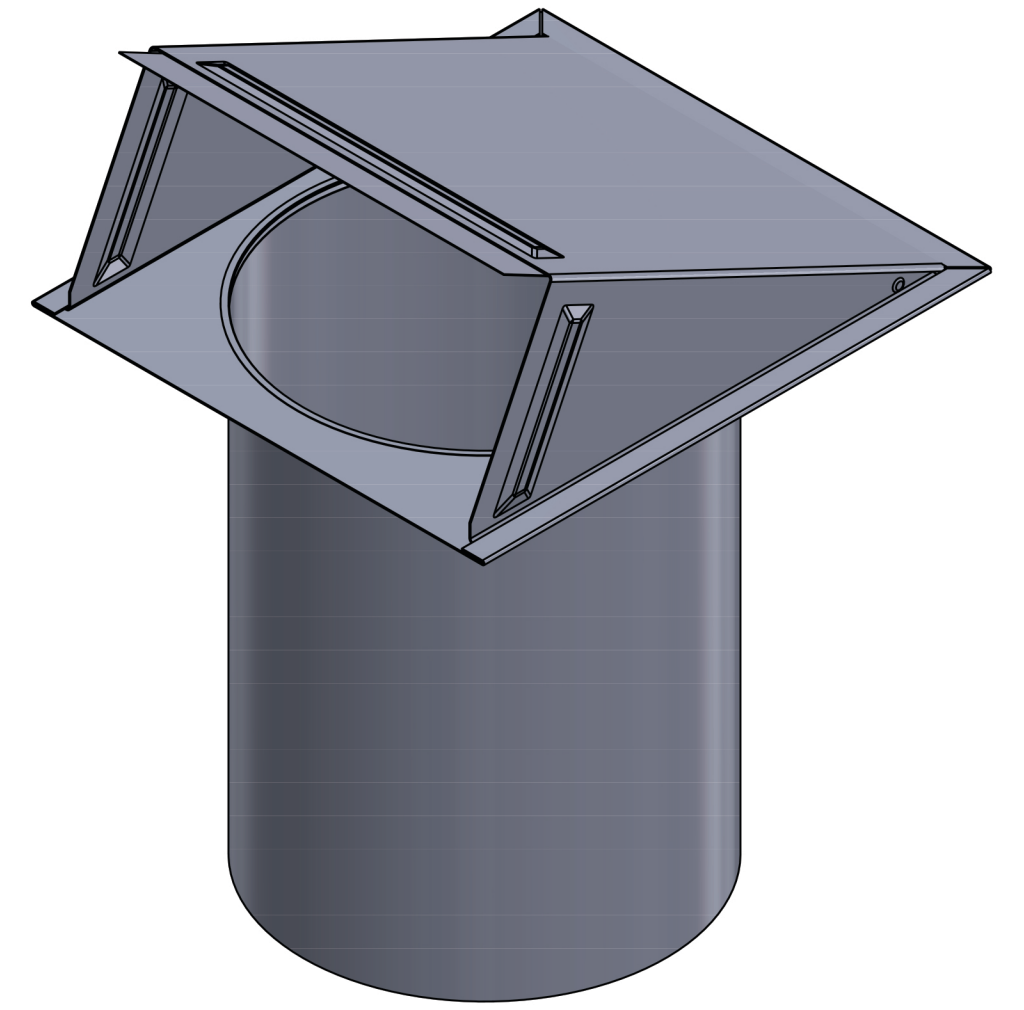
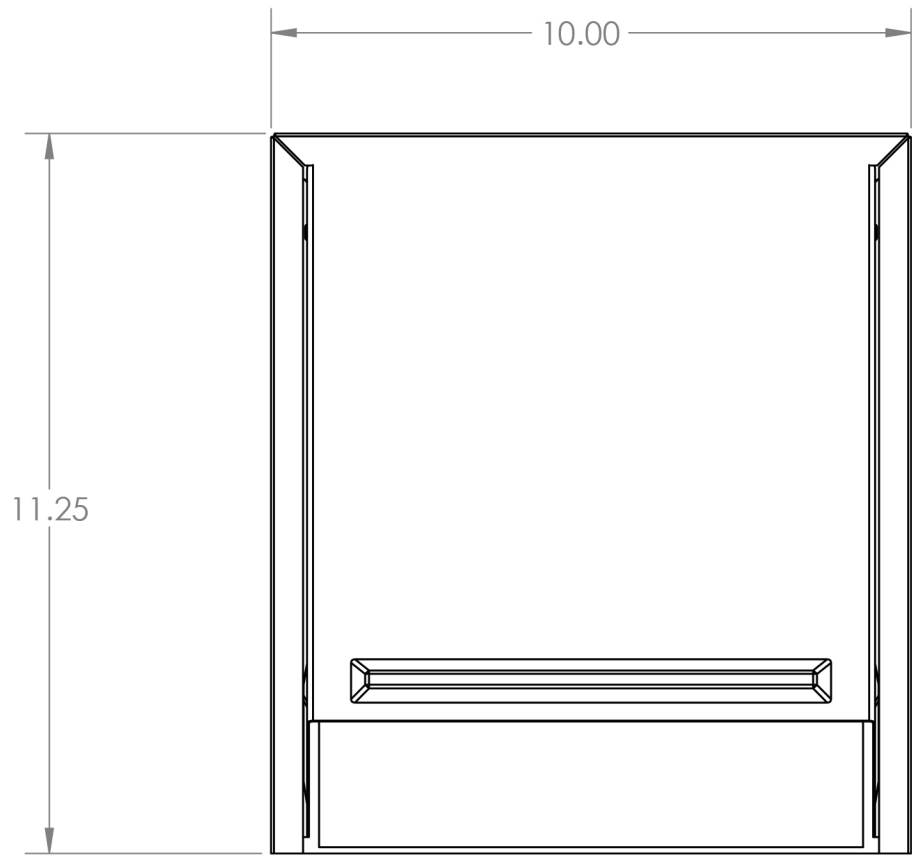


4

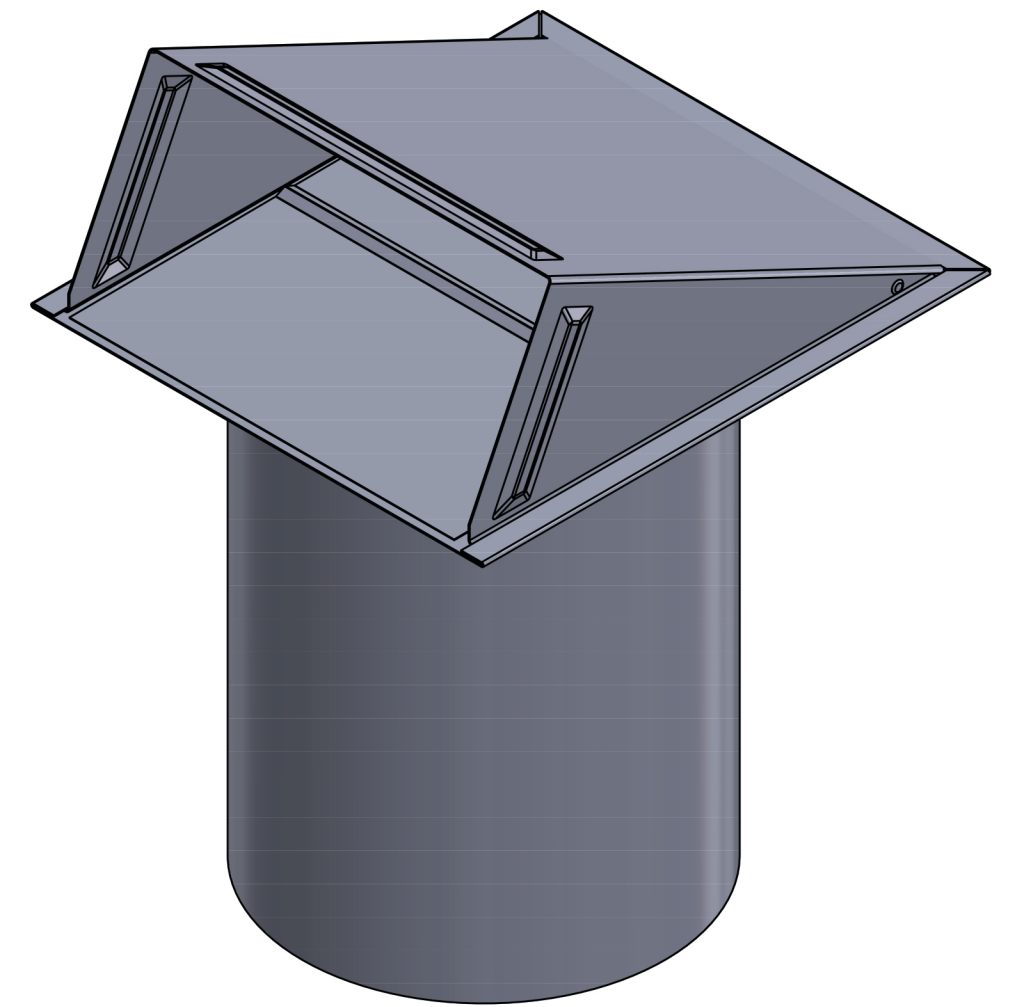
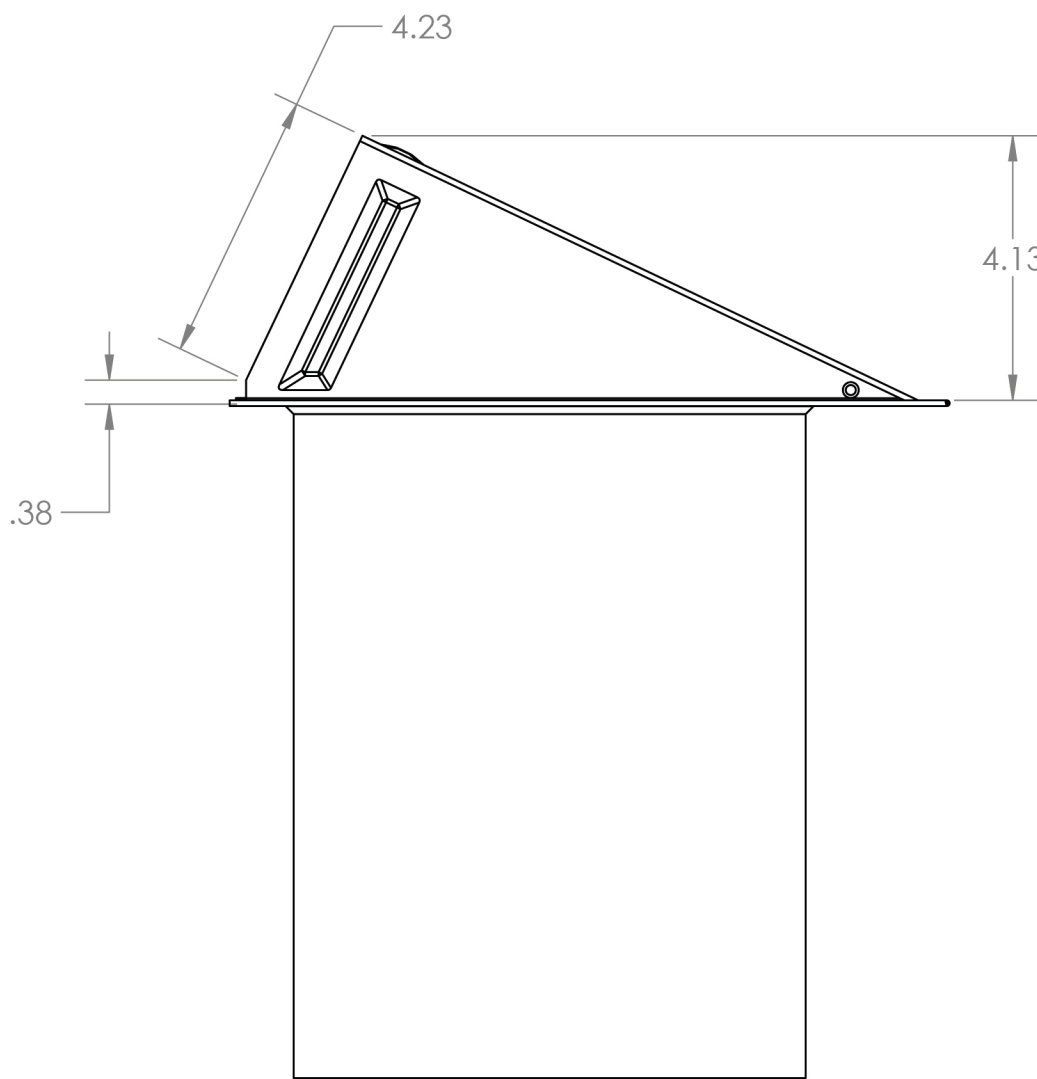
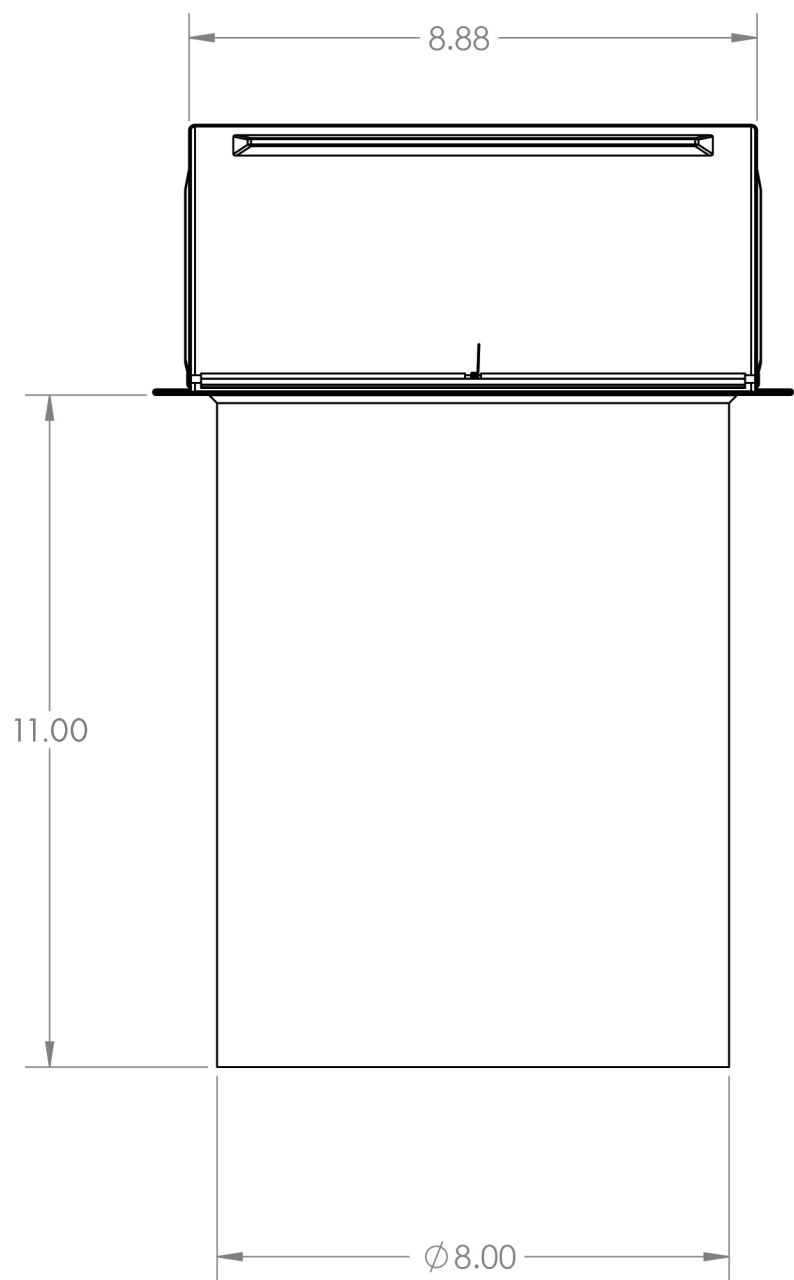
3

2

1



OPEN VENT



CLOSED VENT

LAMBRO Lambro Industries, Inc.
 115 Albany Ave.
 Amityville, NY 11701
 (631) 842-8088
 www.lambro.net

PROPRIETARY AND CONFIDENTIAL
 THE INFORMATION CONTAINED IN THIS DRAWING IS THE SOLE PROPERTY OF LAMBRO. ANY REPRODUCTION IN PART OR AS A WHOLE WITHOUT THE WRITTEN PERMISSION OF LAMBRO IS PROHIBITED.

| UNLESS OTHERWISE SPECIFIED: | | NAME | DATE |
|--------------------------------------|--------------------------|------|------|
| DIMENSIONS ARE IN INCHES | DRAWN | | |
| TOLERANCES: | CHECKED | | |
| FRACTIONAL ± 1/16 | ENG APPR. | | |
| ANGULAR: MACH ± 1 BEND ± 0.1 | MFG APPR. | | |
| TWO PLACE DECIMAL ± 0.01 | Q.A. | | |
| THREE PLACE DECIMAL ± 0.005 | COMMENTS: | | |
| INTERPRET GEOMETRIC TOLERANCING PER: | Net Free Area (NFA) | | |
| MATERIAL | 40 sq. in. | | |
| FINISH | Spring controlled damper | | |
| APPLICATION | DO NOT SCALE DRAWING | | |

| | | |
|--|----------|--------------|
| TITLE: 8" Aluminum Wall Exhaust Hood Vent 11" Aluminum Pipe | | |
| Cover & Base: 22 Gauge Damper: 26 Gauge Pipe: 28 Gauge | | |
| SIZE | DWG. NO. | REV |
| C | 3480-11 | |
| SCALE: 1:3 | WEIGHT: | SHEET 1 OF 1 |

4

3

2

1

D

D

C

C

B

B

A

A