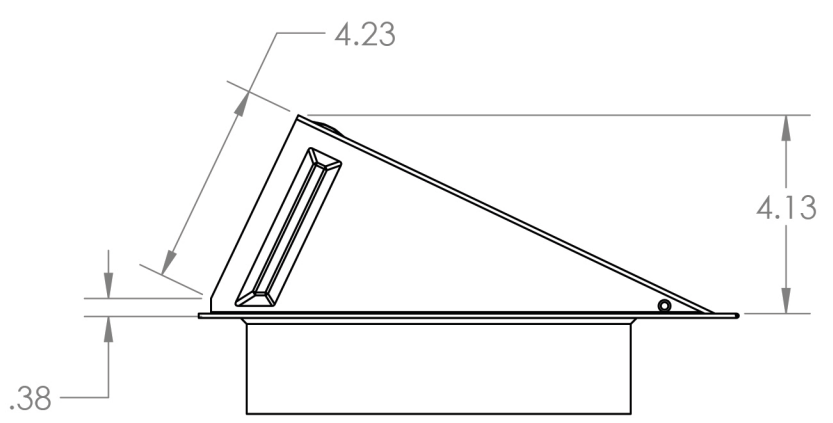
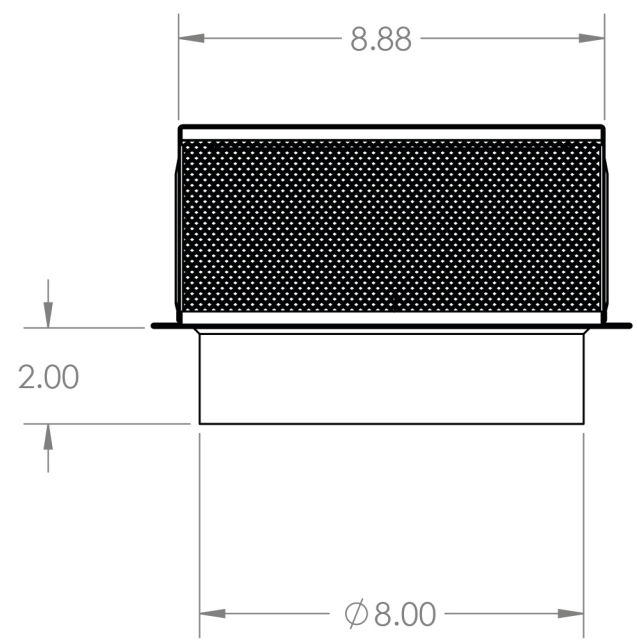
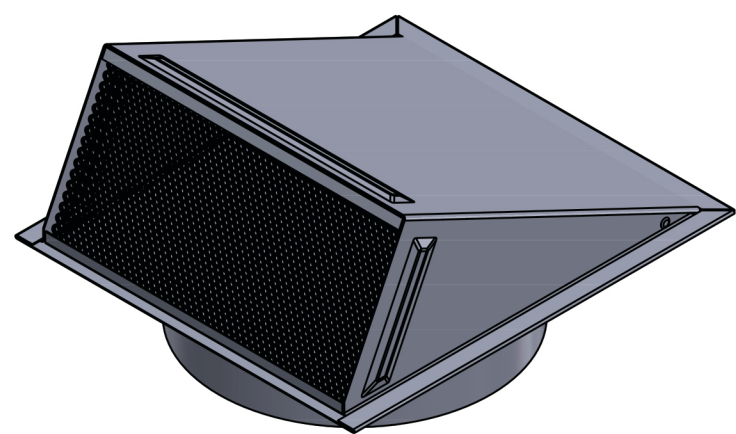
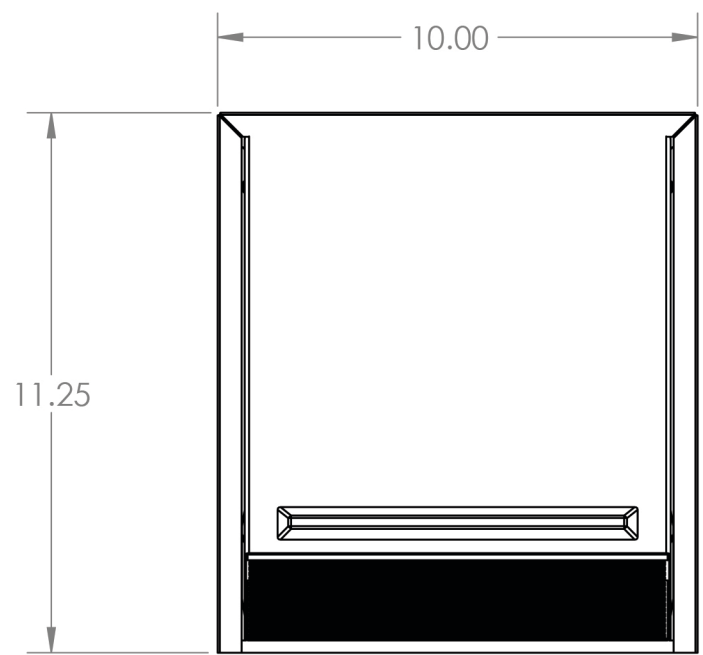


4

3

2

1



Lambro Industries, Inc.
 115 Albany Ave.
 Amityville, NY 11701
 (631) 842-8088
 www.lambro.net

PROPRIETARY AND CONFIDENTIAL
 THE INFORMATION CONTAINED IN THIS DRAWING IS THE SOLE PROPERTY OF LAMBRO. ANY REPRODUCTION IN PART OR AS A WHOLE WITHOUT THE WRITTEN PERMISSION OF LAMBRO IS PROHIBITED.

| | | | | |
|-----------|---------|---------------------------------------|----------------------------|------|
| | | UNLESS OTHERWISE SPECIFIED: | NAME | DATE |
| | | DIMENSIONS ARE IN INCHES | DRAWN | |
| | | TOLERANCES: | CHECKED | |
| | | FRACTIONAL $\pm 1/16$ | ENG APPR. | |
| | | ANGULAR: MACH ± 1 BEND ± 0.01 | MFG APPR. | |
| | | TWO PLACE DECIMAL ± 0.01 | Q.A. | |
| | | THREE PLACE DECIMAL ± 0.005 | COMMENTS: | |
| | | INTERPRET GEOMETRIC TOLERANCING PER: | Net Free Area (NFA) | |
| | | MATERIAL | Without Screen: 34 sq. in. | |
| | | FINISH | With Screen: 18 sq. in. | |
| NEXT ASSY | USED ON | APPLICATION | | |
| | | DO NOT SCALE DRAWING | | |

**TITLE: 8" Galvanized Wall Exhaust Hood Vent
 2" Galvanized Pipe - Screen**

Cover & Base: 26 Gauge
 Damper: 26 Gauge (Aluminum)
 Pipe: 30 Gauge

| | | |
|------------|---------------|--------------|
| SIZE | DWG. NO. | REV |
| B | 3480GS | |
| SCALE: 1:4 | WEIGHT: | SHEET 1 OF 1 |

4

3

2

1

B

B

A

A