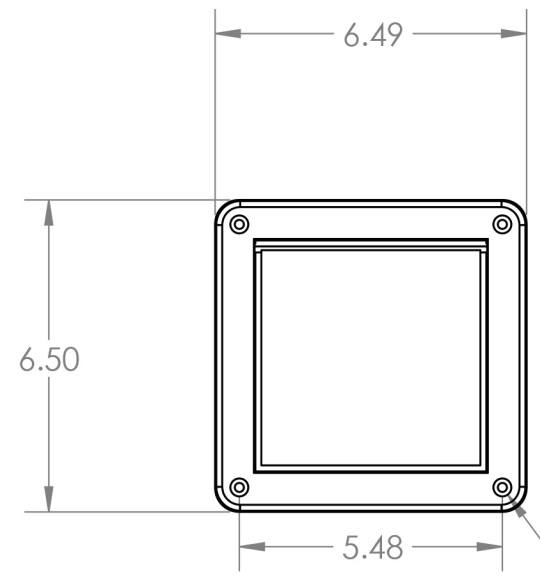


4

3

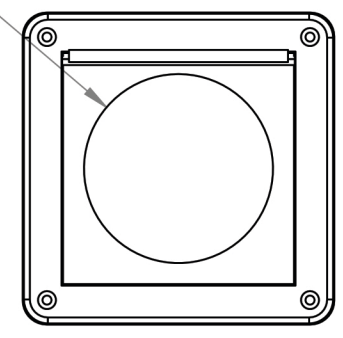
2

1



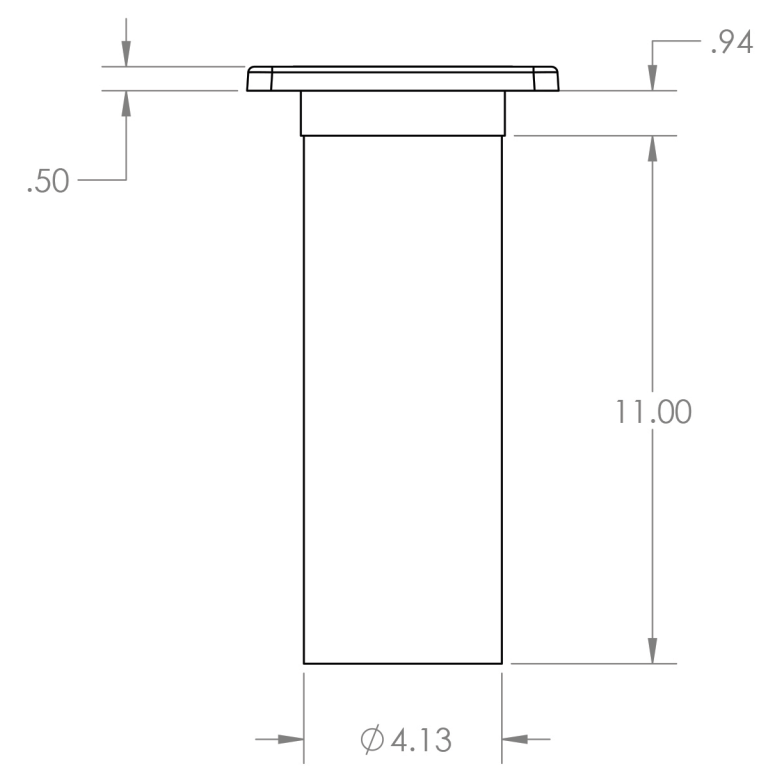
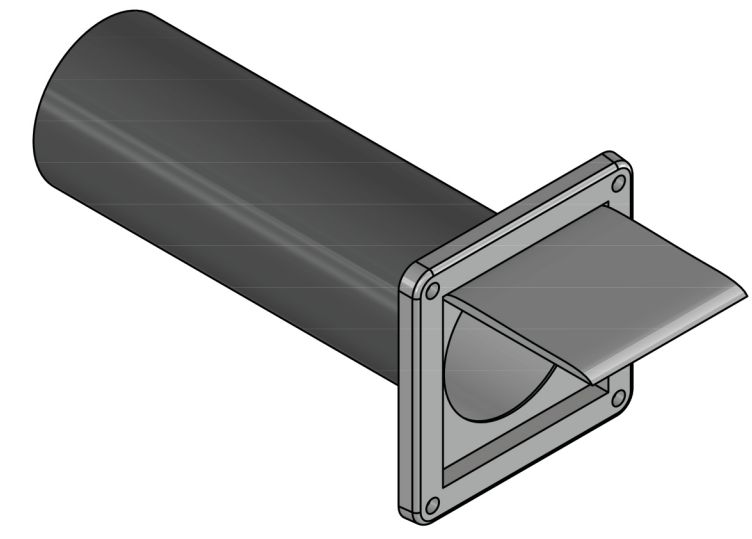
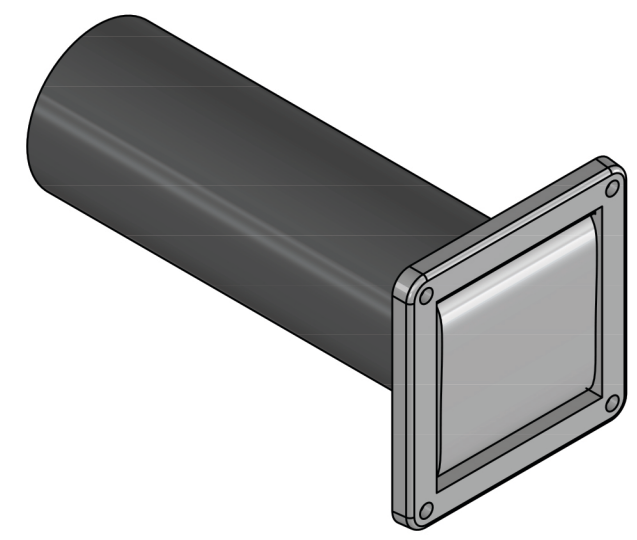
CLOSED VENT

Ø3.94



OPENED VENT

4X Ø .19 THRU ALL
 □ Ø .38 ▽ .25



Lambro Industries, Inc.
 115 Albany Ave.
 Amityville, NY 11701
 (631) 842-8088
 www.lambro.net

PROPRIETARY AND CONFIDENTIAL
 THE INFORMATION CONTAINED IN THIS DRAWING IS THE SOLE PROPERTY OF LAMBRO. ANY REPRODUCTION IN PART OR AS A WHOLE WITHOUT THE WRITTEN PERMISSION OF LAMBRO IS PROHIBITED.

		UNLESS OTHERWISE SPECIFIED:		NAME	DATE
		DIMENSIONS ARE IN INCHES		DRAWN	
		TOLERANCES:		CHECKED	
		FRACTIONAL ±1/16		ENG APPR.	
		ANGULAR: MACH ±1 BEND ±.01		MFG APPR.	
		TWO PLACE DECIMAL ±0.01		Q.A.	
		THREE PLACE DECIMAL ±0.005		COMMENTS:	
		INTERPRET GEOMETRIC TOLERANCING PER:		Net Free Area (NFA)	
		MATERIAL		12 sq. in.	
		FINISH			
NEXT ASSY	USED ON				
APPLICATION		DO NOT SCALE DRAWING			

TITLE: 4" Plastic Wall Exhaust Single Flap Vent
 11" Aluminum Pipe

SIZE	DWG. NO.	REV
B	1422WTP	

SCALE: 1:4 WEIGHT: SHEET 1 OF 1

4

3

2

1

B

B

A

A